



US00D345209S

United States Patent [19]

[11] Patent Number: **Des. 345,209**

Shoda et al.

[45] Date of Patent: **** Mar. 15, 1994**

[54] **BREAST PUMP**

D. 309,500	7/1990	Yuan et al.	D24/109
4,772,262	9/1988	Grant et al.	604/74
5,007,899	4/1991	Larsson	604/74

[75] Inventors: **Thomas Shoda**, Foster City; **Dallas Grove**, Boulder Creek, both of Calif.

Primary Examiner—Stella Reid
Attorney, Agent, or Firm—Haverstock, Medlen & Carroll

[73] Assignee: **Palo Alto Design Group, Inc.**, Palo Alto, Calif.

[**] Term: **14 Years**

[57] **CLAIM**

[21] Appl. No.: **885,950**

The ornamental design for a breast pump, as shown and described.

[22] Filed: **May 19, 1992**

DESCRIPTION

[52] U.S. Cl. **D24/109**

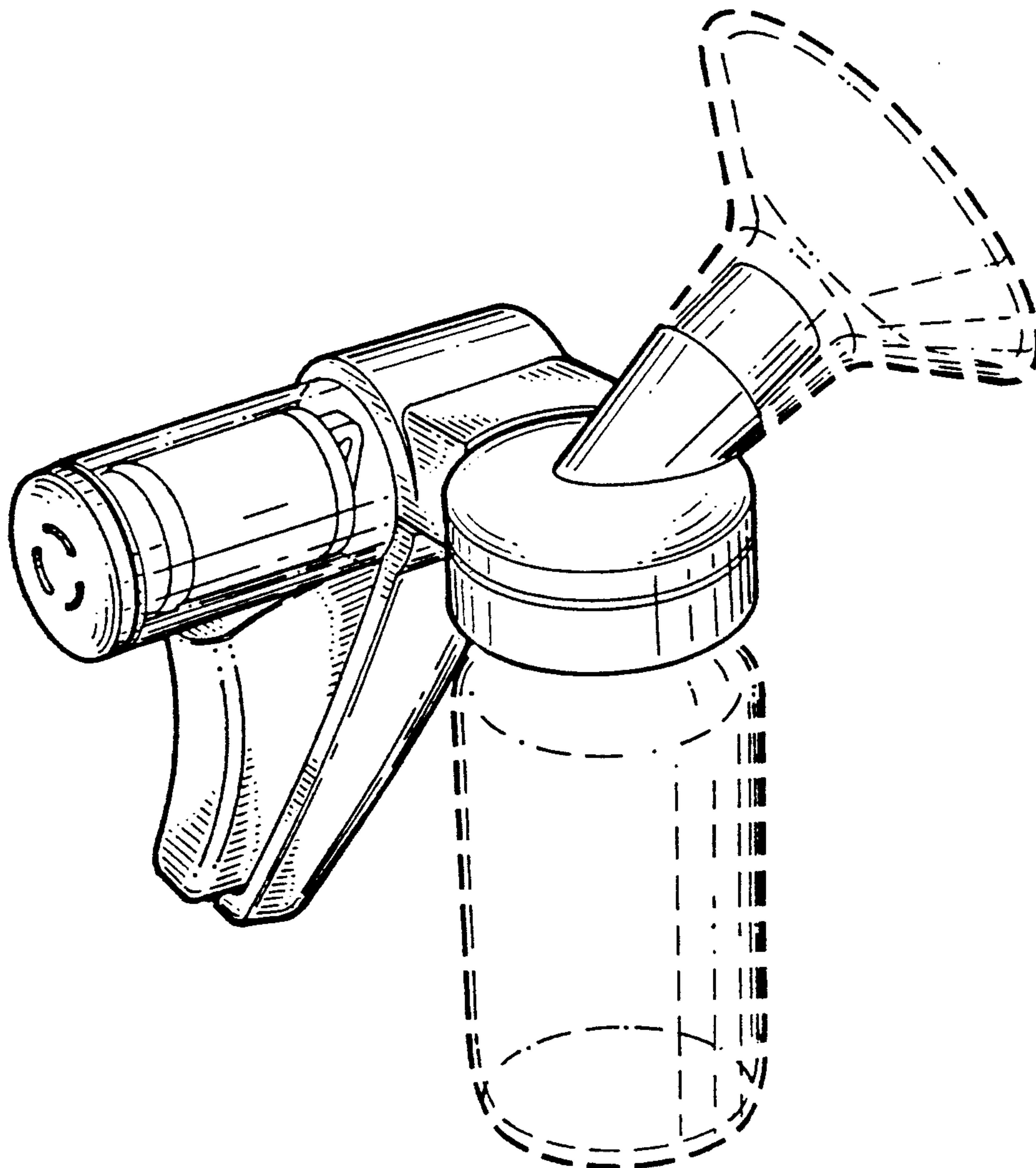
FIG. 1 is a rear elevational view of a breast pump, showing our new design;
FIG. 2 is a side perspective view thereof;
FIG. 3 is a front elevational view thereof; and,
FIG. 4 is another side perspective view thereof.
The broken line showing in FIGS. 1, 2 and 4 is for illustrative purposes only and forms no part of the claimed design.

[58] Field of Search 604/74, 75, 76;
D24/109

[56] **References Cited**

U.S. PATENT DOCUMENTS

D. 19,593	1/1890	Hancock	D24/109
D. 251,015	2/1979	Cone	D24/109



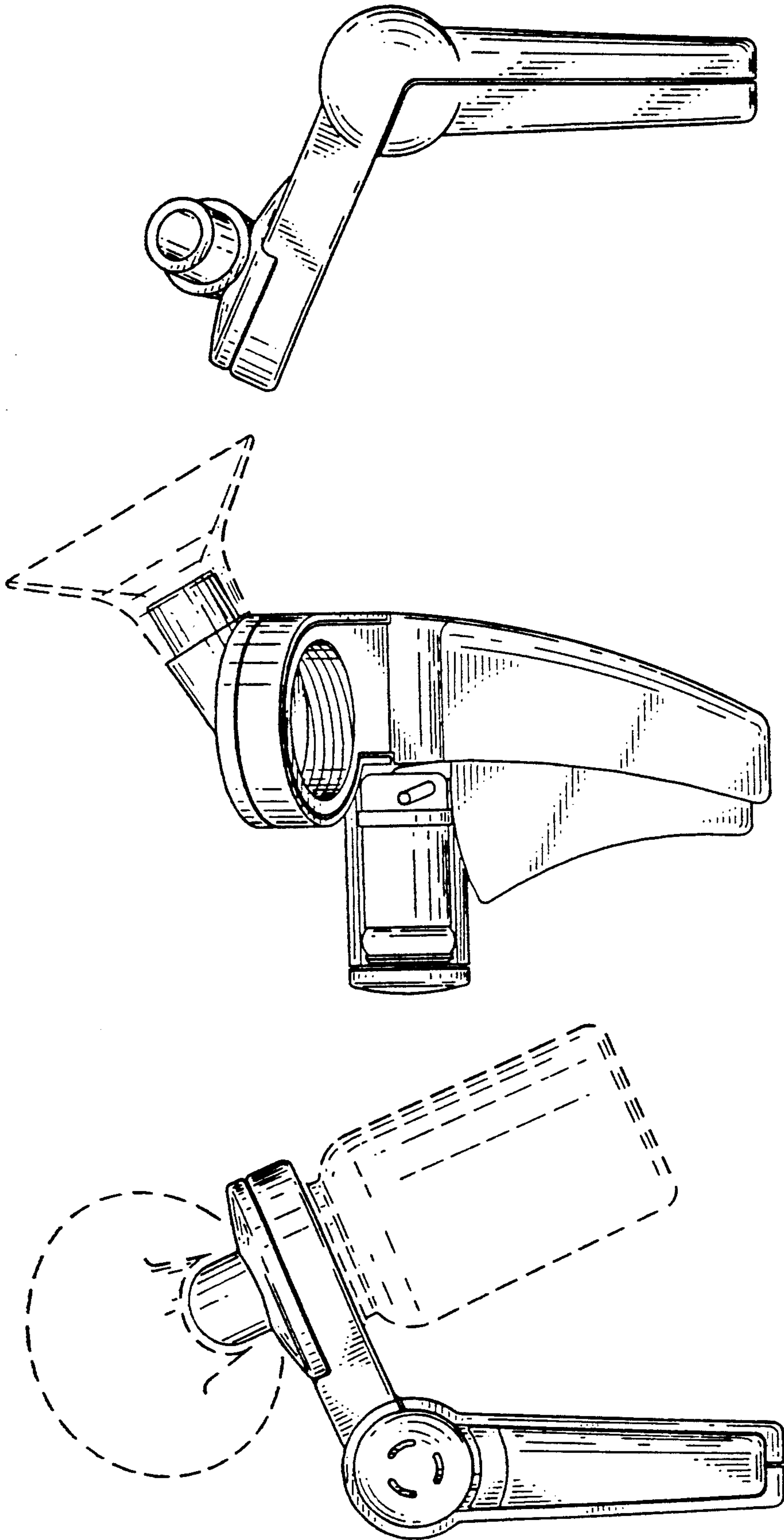


FIG. 3

FIG. 2

FIG. 1

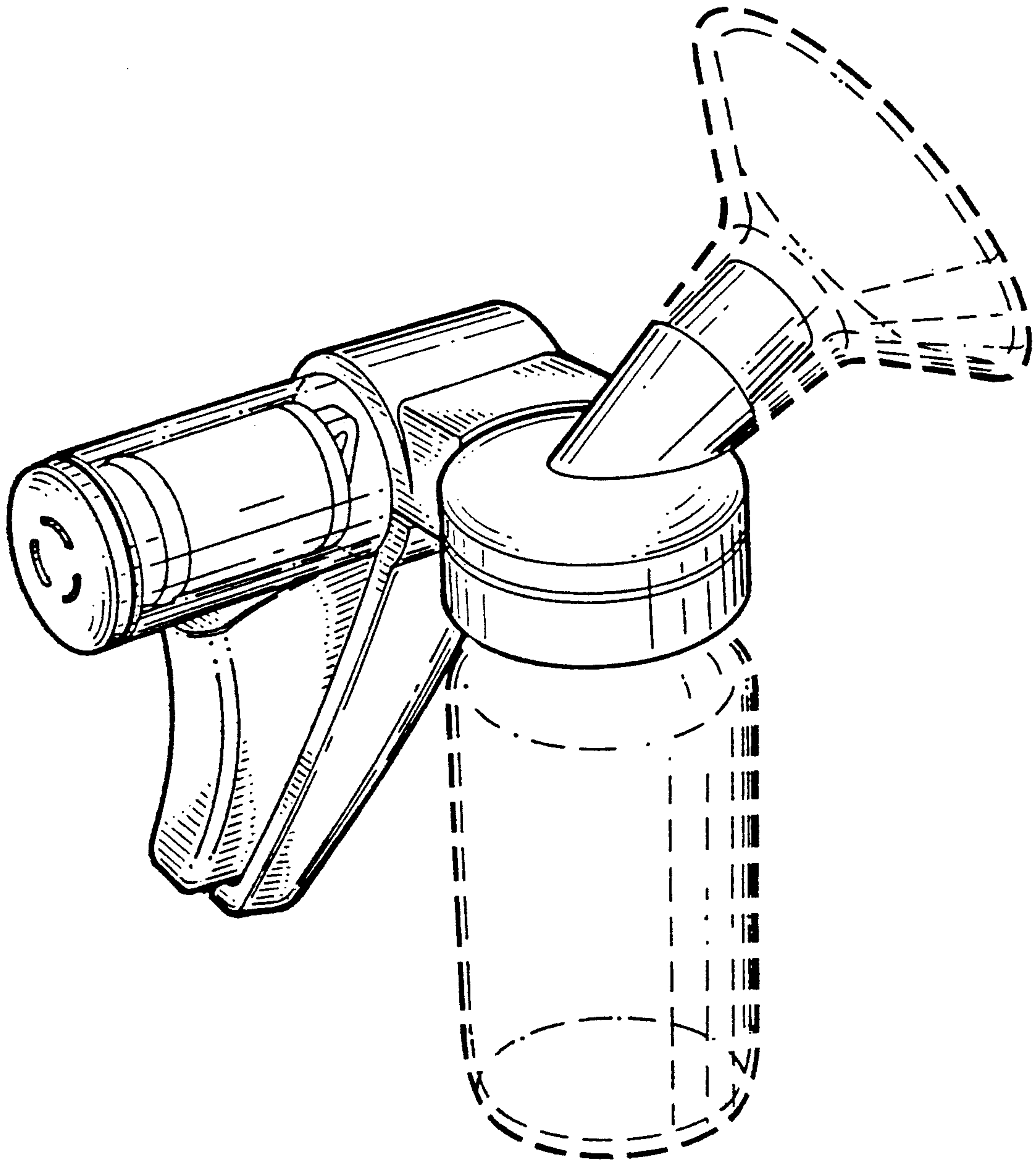


FIG. 4