



US00D345206S

United States Patent [19]

[11] Patent Number: **Des. 345,206**

DiPasquale

[45] Date of Patent: **** Mar. 15, 1994**

[54] **COMBINED MOUNTING CANOPY, MOTOR AND SWITCH HOUSING AND BLADE IRONS UNIT FOR A CEILING FAN**

[56]

References Cited

U.S. PATENT DOCUMENTS

D. 303,425 9/1989 Sonneman D26/59
D. 331,103 11/1992 Pearce D23/411

[75] Inventor: **Charles J. DiPasquale**, Carrollton, Tex.

Primary Examiner—Wallace R. Burke
Assistant Examiner—Lisa Lichtenstein
Attorney, Agent, or Firm—Dennis T. Griggs

[73] Assignee: **Smartel, Inc.**, Carrollton, Tex.

[57] CLAIM

[**] Term: **14 Years**

The ornamental design for a combined mounting canopy, motor and switch housing and blade irons unit for a ceiling fan, as shown and described.

[21] Appl. No.: **5,760**

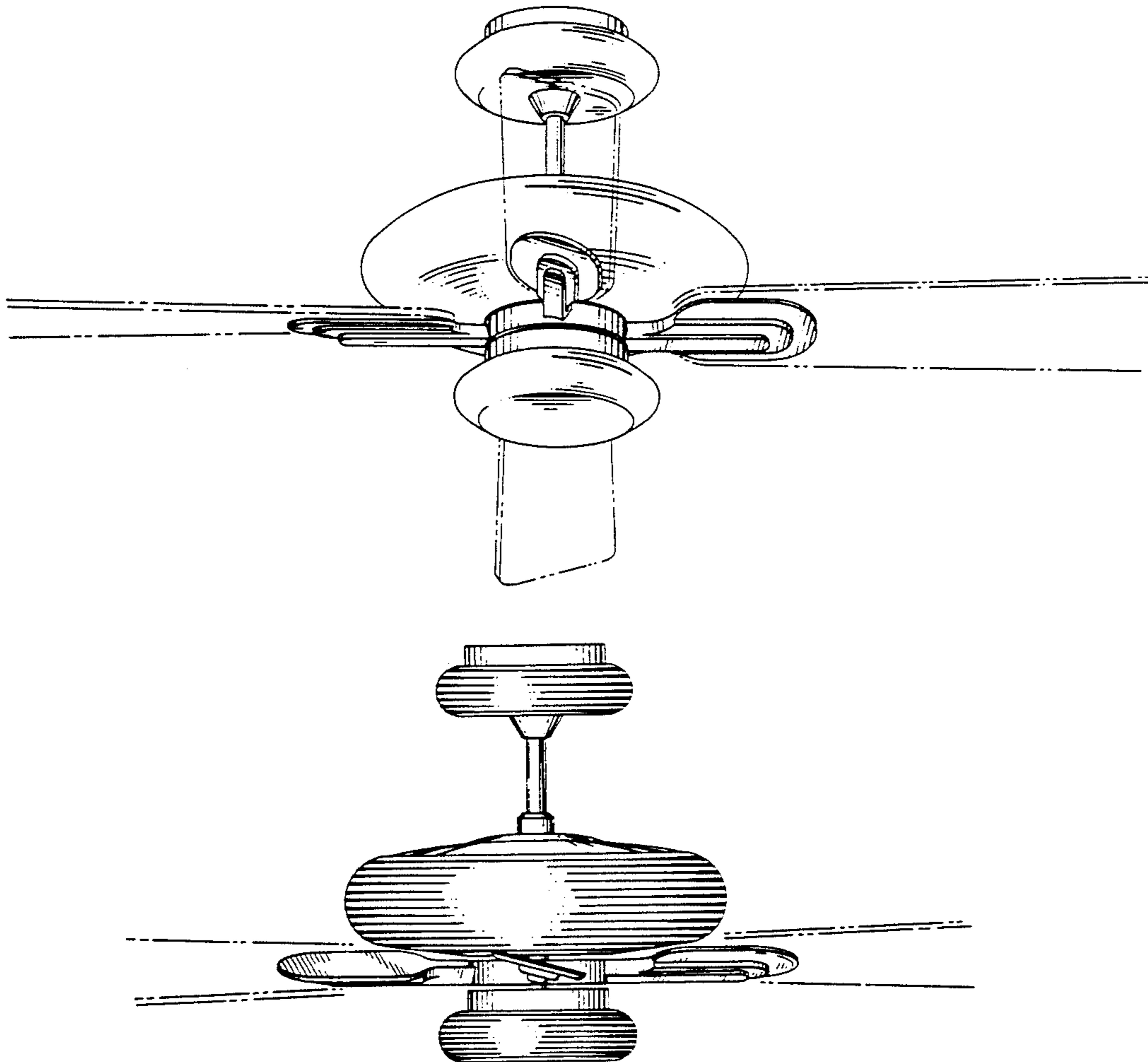
DESCRIPTION

[22] Filed: **Mar. 11, 1993**

[52] U.S. Cl. **D23/411; D23/377; D23/379; D23/385**

[58] Field of Search 416/5; 392/364; 362/96, 362/363; D23/377, 379, 385, 411; D26/81-86, 88, 51, 59, 72

FIG. 1 is a perspective view of a combined mounting canopy, motor and switch housing and blade irons unit for a ceiling fan showing my new design, the broken lines showing fan blades being for illustrative purposes only and forming no part of the claimed design; FIG. 2 is a side elevational view thereof, the opposite and adjacent sides being mirror images of that shown; FIG. 3 is a top plan view thereof; and, FIG. 4 is a bottom plan view thereof.



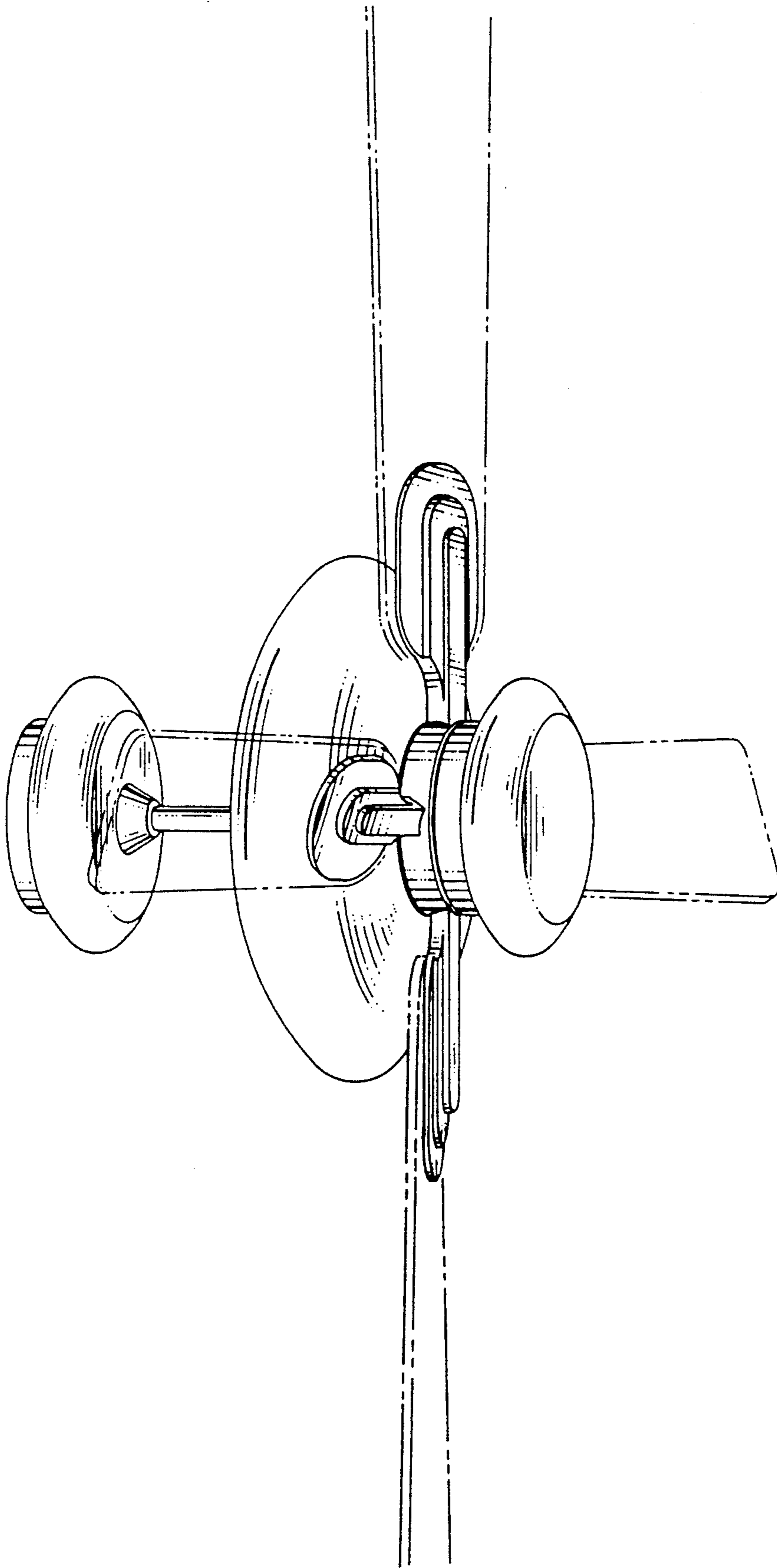


FIG. 1

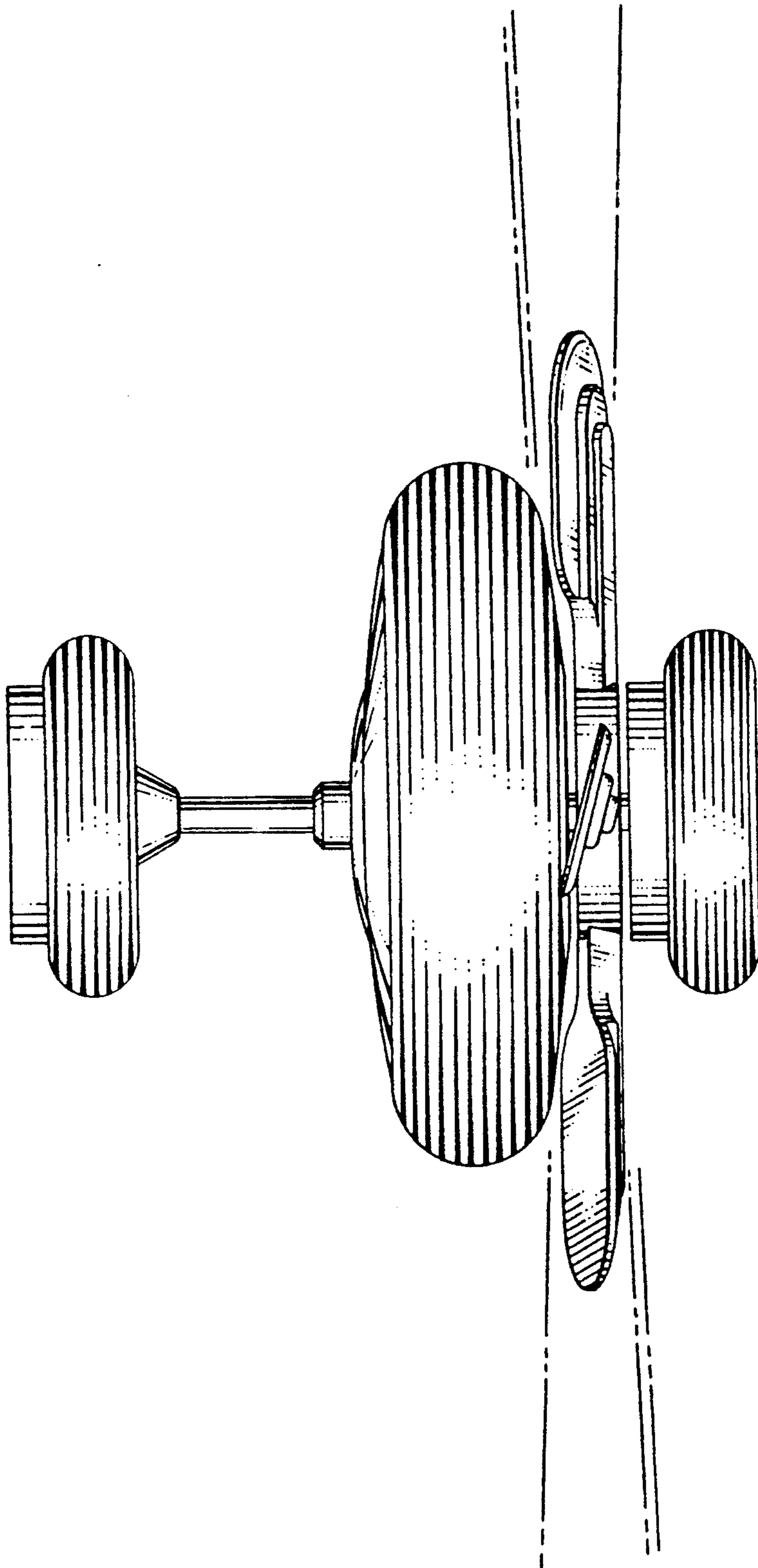


FIG. 2

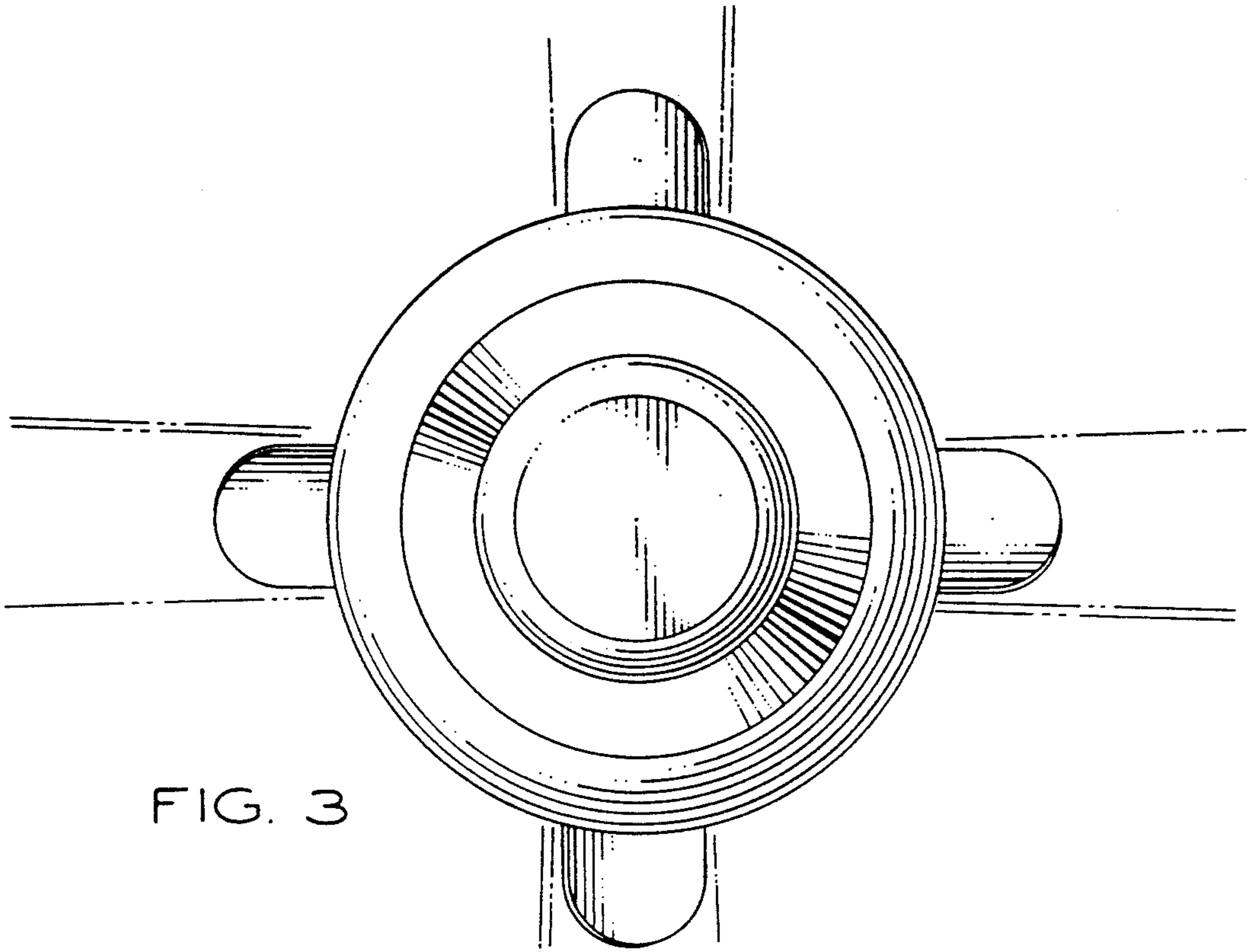


FIG. 3

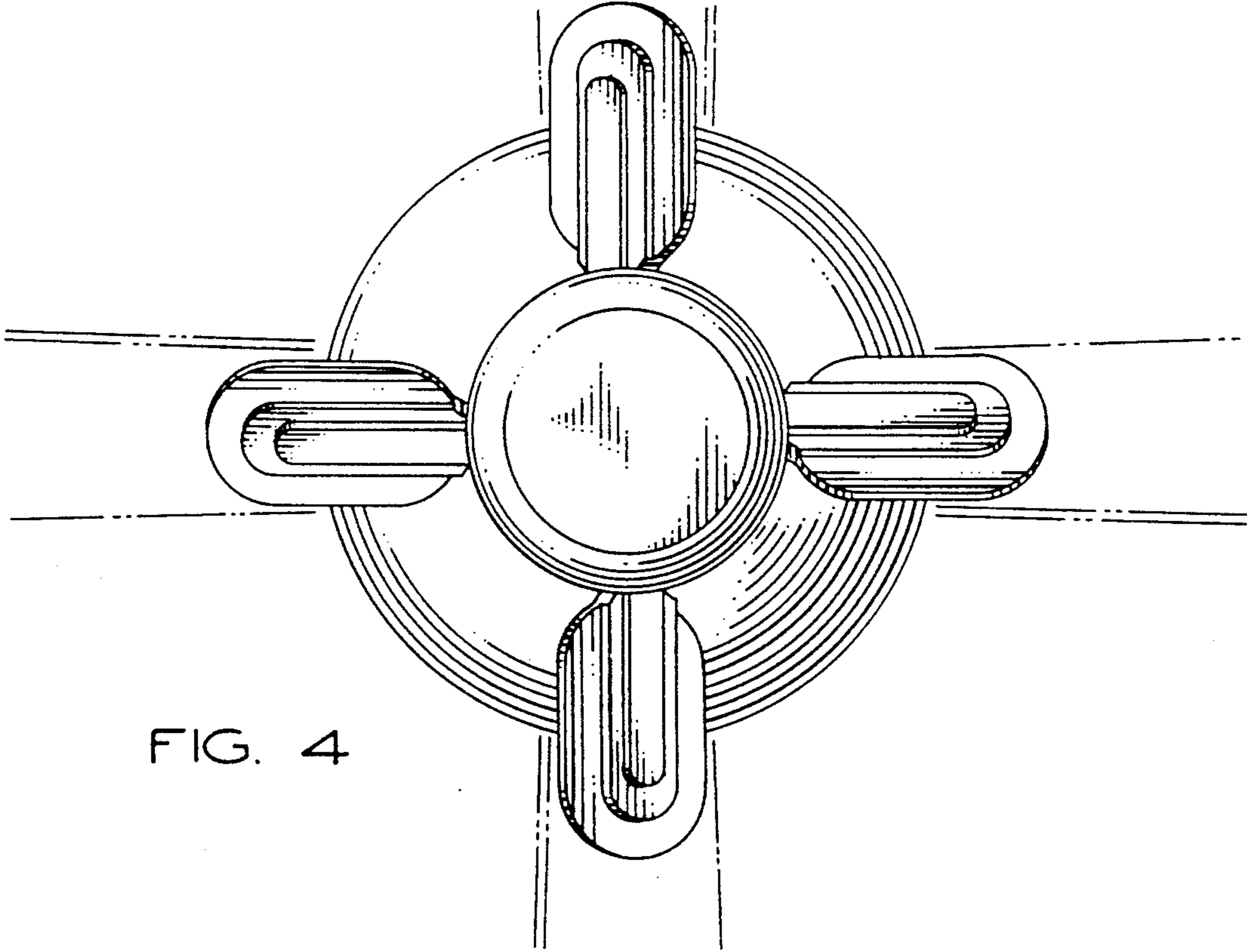


FIG. 4