



US00D345205S

United States Patent [19]

[11] Patent Number: **Des. 345,205**

DiPasquale

[45] Date of Patent: **** Mar. 15, 1994**

[54] **COMBINED CEILING FAN MOUNTING CANOPY, MOTOR AND SWITCH HOUSING AND BLADE IRONS UNIT**

D. 312,868 12/1990 Rezek D23/377
3,342,073 7/1982 Ranten D23/377

[75] Inventor: **Charles J. DiPasquale**, Carrollton, Tex.

Primary Examiner—Wallace R. Burke
Assistant Examiner—Lisa Lichtenstein
Attorney, Agent, or Firm—Dennis T. Griggs

[73] Assignee: **Smartel, Inc.**, Carrollton, Tex.

[57] **CLAIM**

[**] Term: **14 Years**

The ornamental design for a combined ceiling fan mounting canopy, motor and switch housing and blade irons unit, as shown and described.

[21] Appl. No.: **5,752**

DESCRIPTION

[22] Filed: **Mar. 11, 1993**

[52] U.S. Cl. **D23/411; D23/377; D23/379; D23/385**

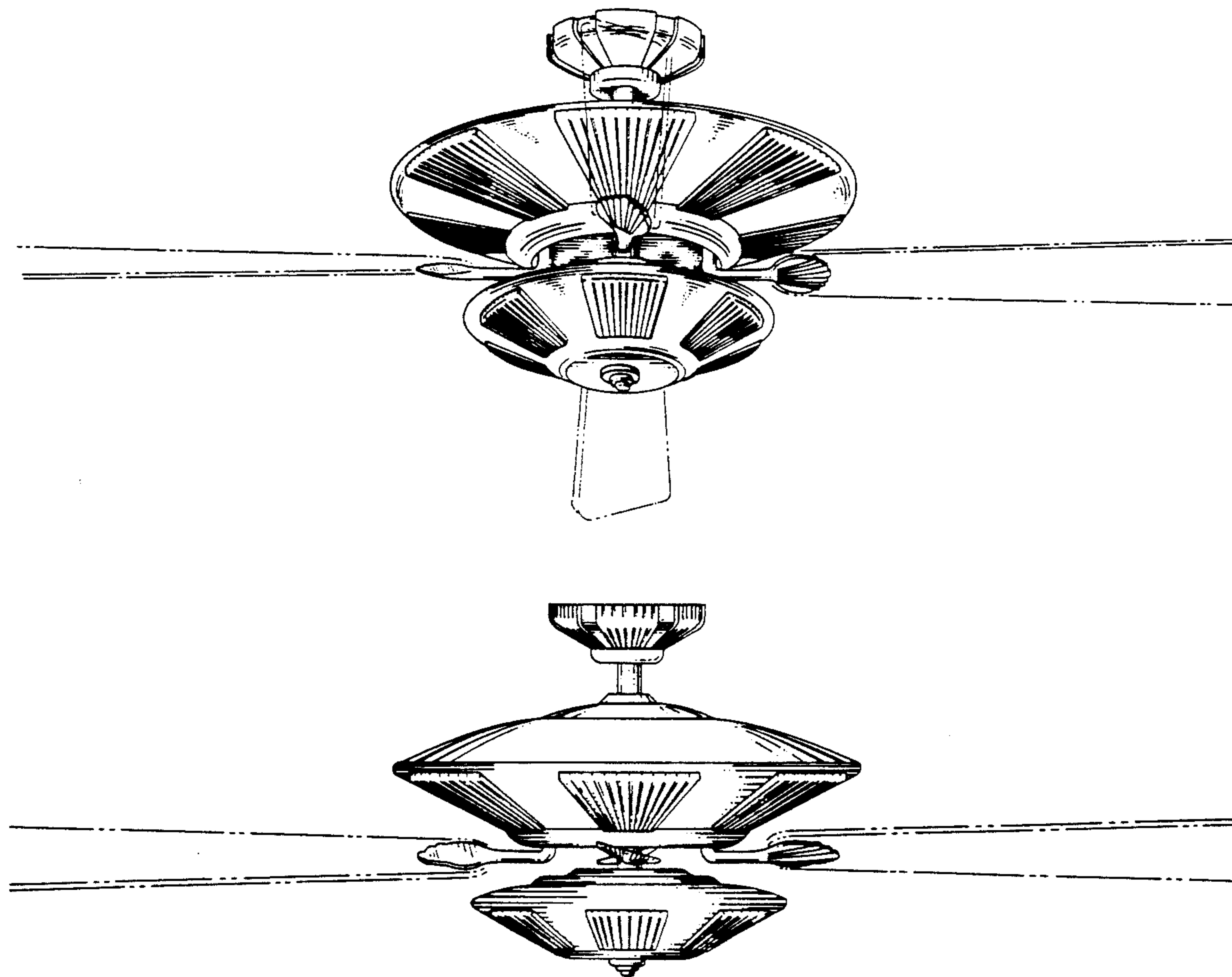
FIG. 1 is a perspective view of a combined ceiling fan mounting canopy, motor and switch housing and blade irons unit showing my new design, the broken lines showing fan blades being for illustrative purposes only and forming no part of the claimed design;

[58] Field of Search **416/5; 362/96, 363; 392/364; D23/377, 379, 385**

FIG. 2 is a side elevational view thereof, the opposite and adjacent sides being mirror images of that shown; FIG. 3 is a top plan view thereof; and, FIG. 4 is a bottom plan view thereof.

[56] **References Cited**
U.S. PATENT DOCUMENTS

D. 311,247 10/1990 Sonneman D23/377



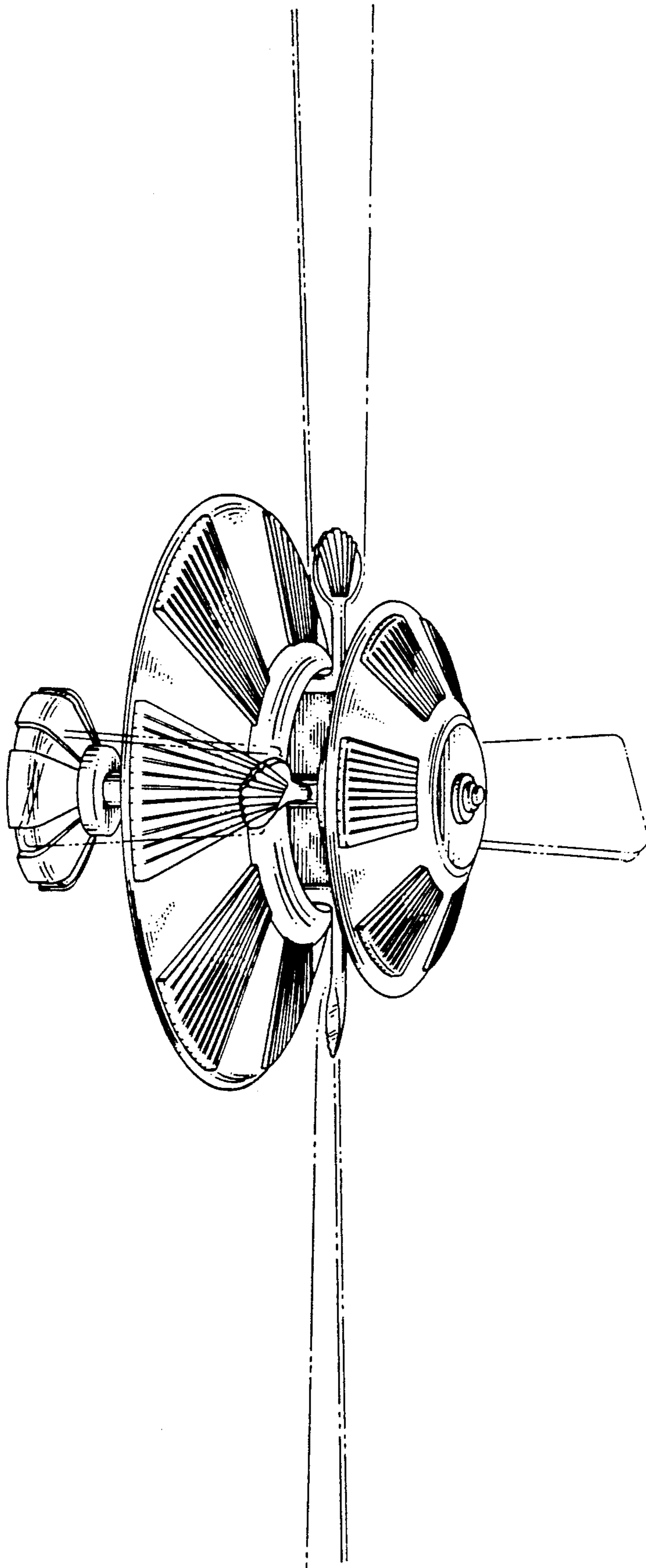


FIG. 1

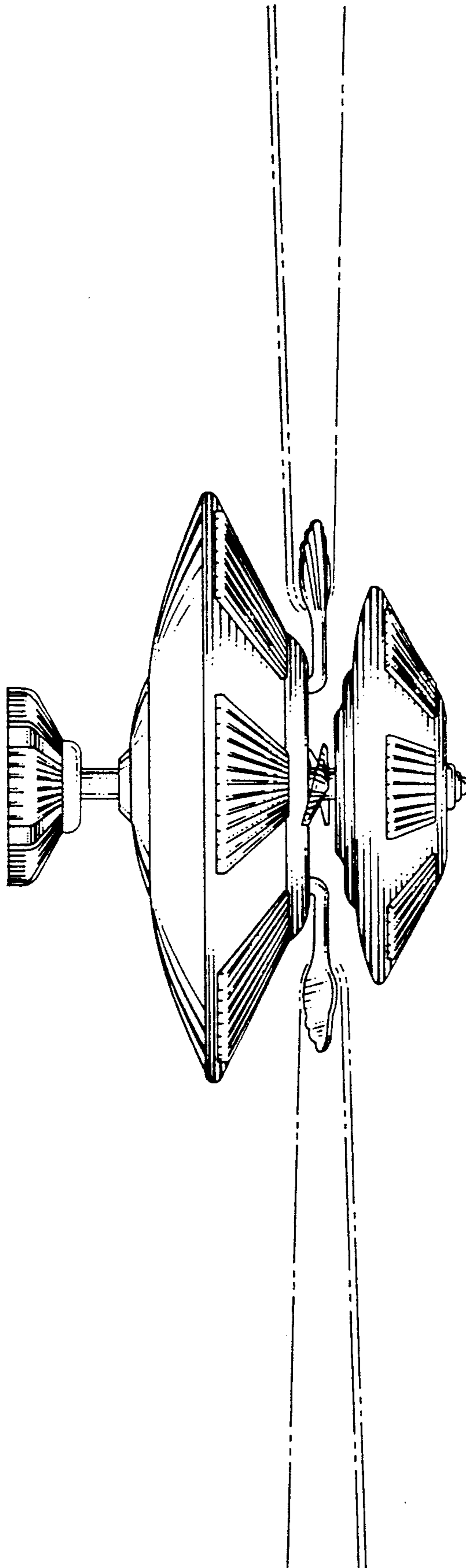


FIG. 2

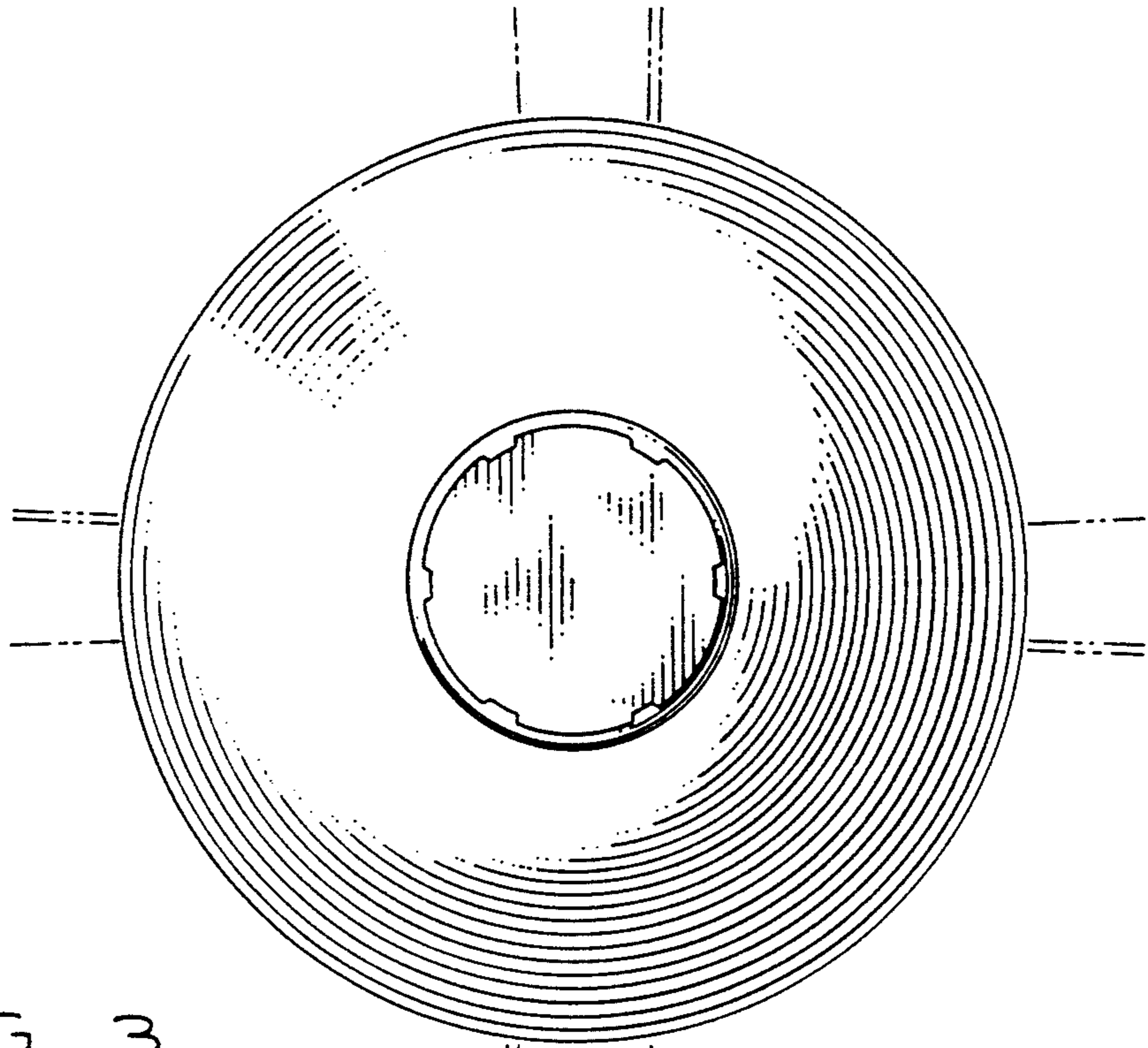


FIG. 3

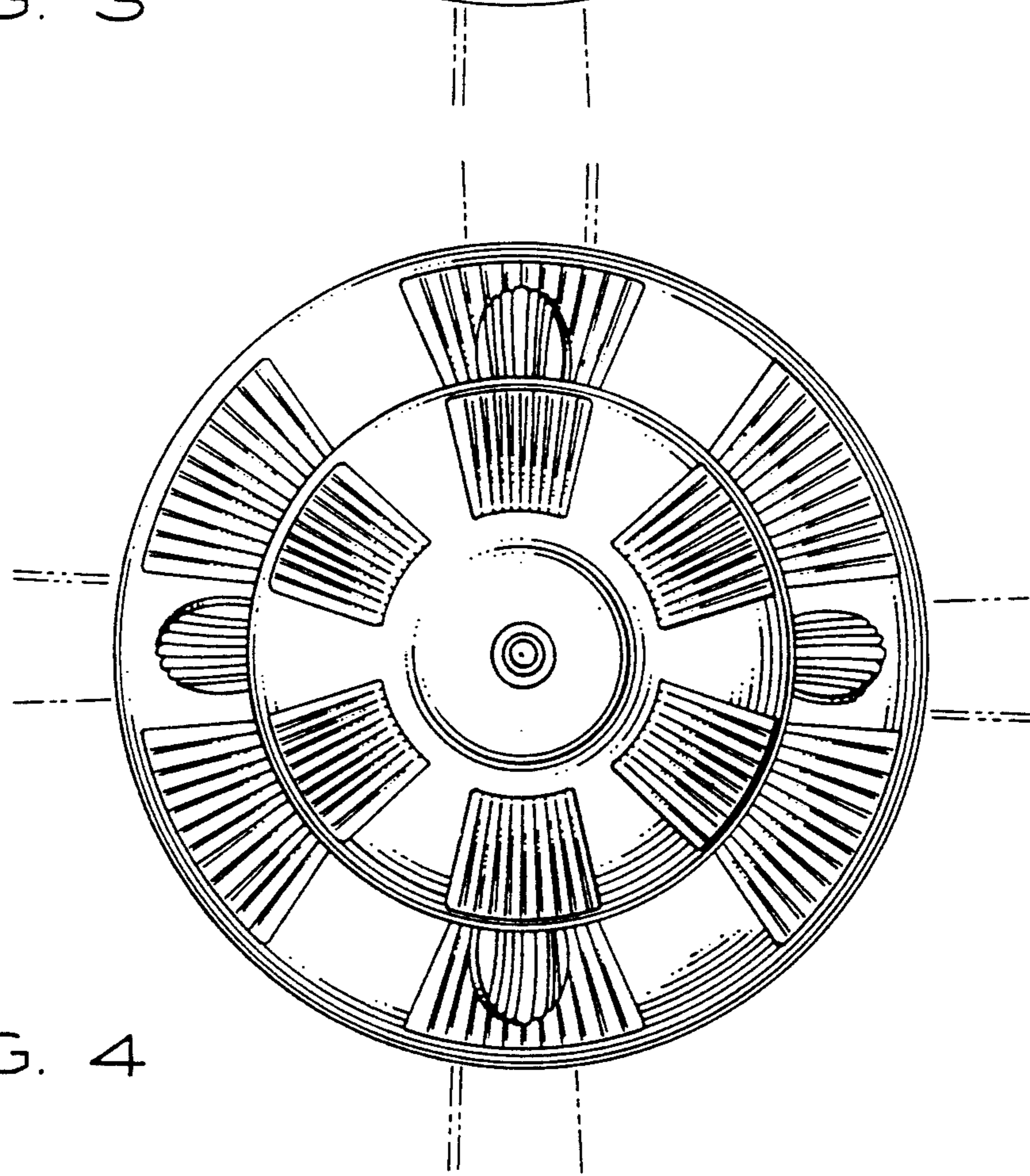


FIG. 4