



US00D345204S

United States Patent [19]

[11] Patent Number: **Des. 345,204**

Boka

[45] Date of Patent: **** Mar. 15, 1994**

[54] **BURN GUARD FOR A FIREPLACE**

1,881,333 10/1932 Steiner 126/547

[76] Inventor: **Joseph D. Boka**, 3128 Unit B, Turner Road, Windsor Ontario, Canada, N8W 3L8

Primary Examiner—Wallace R. Burke
Assistant Examiner—Lisa Lichtenstein
Attorney, Agent, or Firm—Hugh E. Smith

[**] Term: **14 Years**

[57] **CLAIM**

[21] Appl. No.: **784,011**

The ornamental design for a burn guard for a fireplace, as shown and described.

[22] Filed: **Oct. 28, 1991**

DESCRIPTION

[52] U.S. Cl. **D23/406; D23/403; D23/405**

FIG. 1 is a front elevational view of the burn guard for a fireplace showing my new design;
FIG. 2 is a rear elevational view thereof;
FIG. 3 is a left side elevational view thereof;
FIG. 4 is a right side elevational view thereof;
FIG. 5 is a top plan view thereof;
FIG. 6 is a bottom plan view thereof; and,
FIG. 7 is an isometric view thereof.

[58] Field of Search **D6/332; 126/544, 547; D23/403, 406**

[56] References Cited

U.S. PATENT DOCUMENTS

D. 206,473 12/1966 Volz D23/405

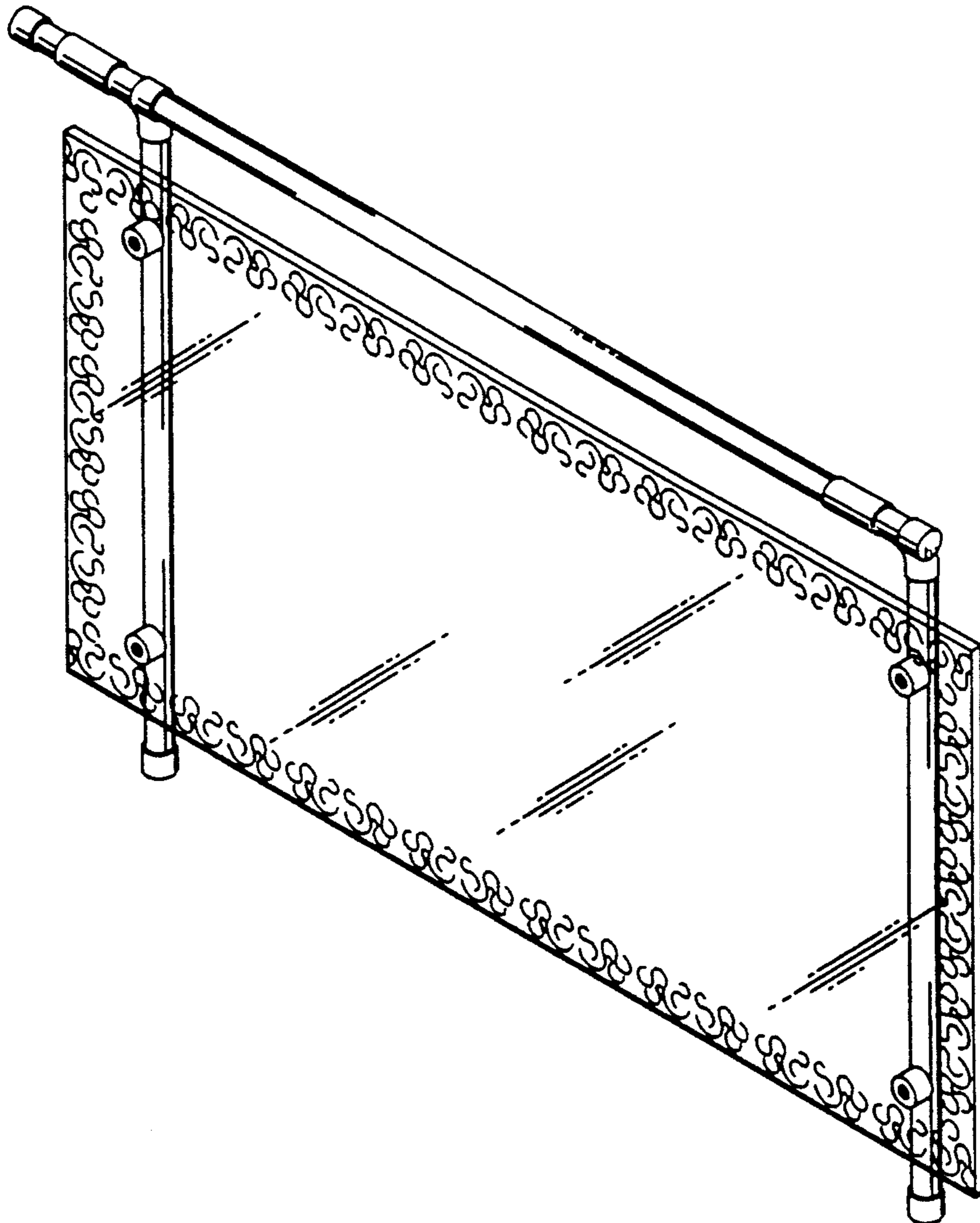


FIG. 1

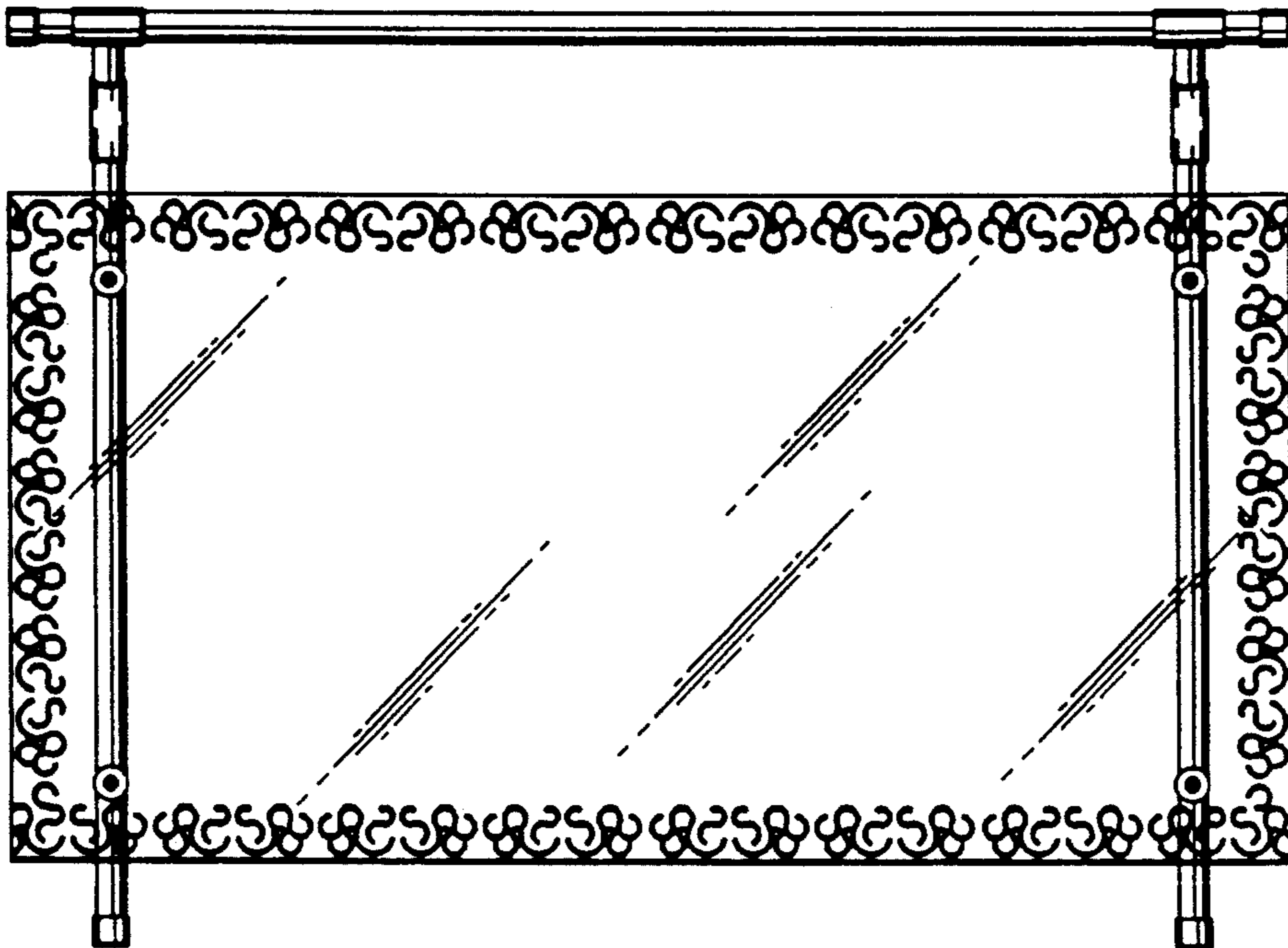


FIG. 2

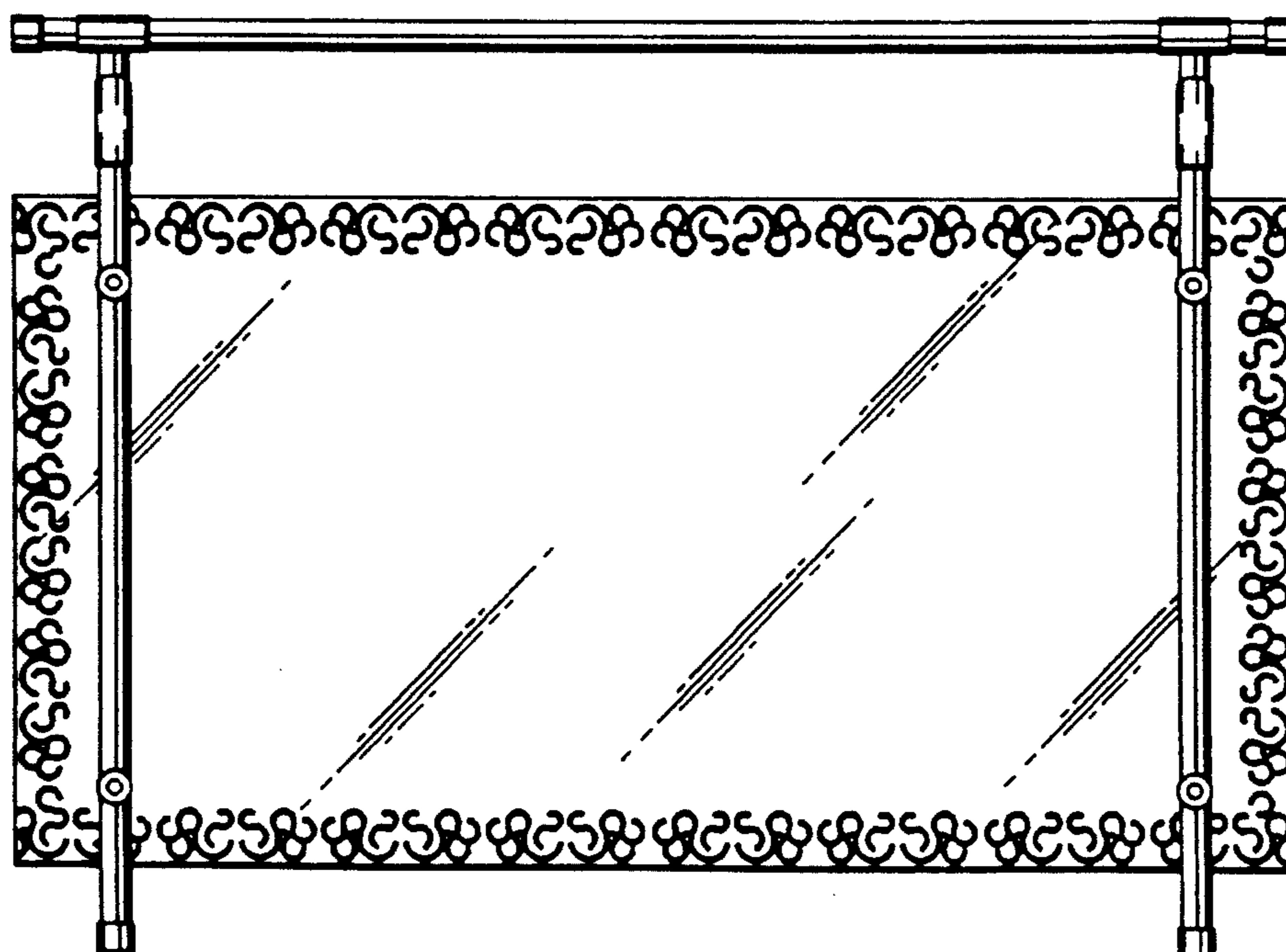


FIG. 3



FIG. 4



FIG. 5

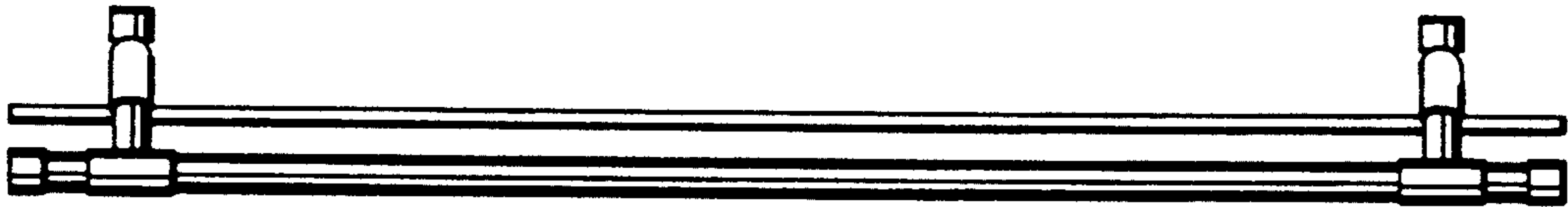


FIG. 6

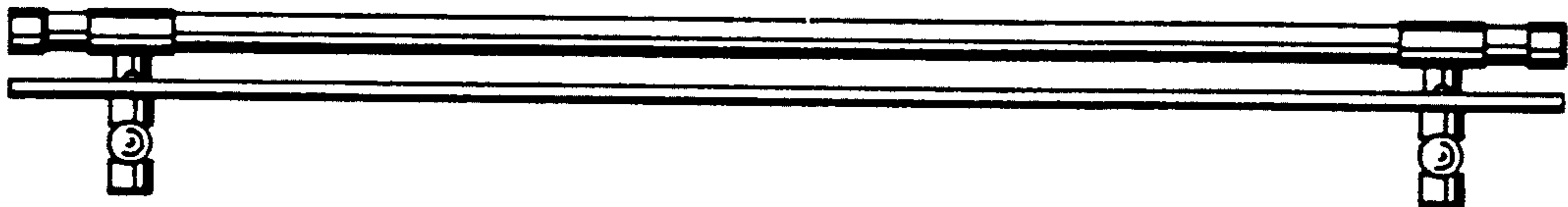


FIG. 7

