



US00D345196S

United States Patent [19] Kelly

[11] Patent Number: **Des. 345,196**

[45] Date of Patent: **** Mar. 15, 1994**

[54] **TOILET TANK CHEMICAL DISPENSER**

[75] Inventor: **Graham Kelly**, Norwich, England

[73] Assignee: **Jeyes Group plc**, England

[**] Term: **14 Years**

[21] Appl. No.: **938,479**

[22] Filed: **Sep. 1, 1992**

[30] **Foreign Application Priority Data**

May 11, 1992 [GB] United Kingdom 2022820
[52] U.S. Cl. **D23/208; D23/366**
[58] Field of Search 4/223-224,
4/227.1-228.1, 231; 422/264 B, 265; 222/54,
56, 67, 310; 239/154, 310, 317-318, 302, 375,
526, 583; 210/169, 205, 242.1, H16.2, 193,
198.1; D23/207-208, 213, 200, 366, 368

[56] **References Cited**

U.S. PATENT DOCUMENTS

D. 276,646 12/1984 Ronayne D23/208
D. 284,506 7/1986 Gutknecht D23/368
D. 284,693 7/1986 Royayne D23/208
D. 307,625 5/1990 King et al. D23/208
D. 321,320 11/1991 Halm D23/366 X
4,451,941 6/1984 Gray 4/227.4
4,707,866 11/1987 von Philipp et al. 4/227.7
4,813,084 3/1989 Buecheler et al. 4/231

FOREIGN PATENT DOCUMENTS

89304435.4 3/0589 European Pat. Off. .

OTHER PUBLICATIONS

Photographs (Series A-D) illustrating the Null-Null W. C. Wasserkasten Automat. (1990).
Photographs (Series A-C) illustrating the "Biofresh" from Hungary. (date unknown).

Label for "Blue Flush" from Racasan Limited, Manchester, England. (1986).

Label for "WC Frisch" from Wasserkasten-Automat, Thompson-Siegel GmbH, Düsseldorf, Germany. (date unknown).

Label for "Trident" Starter Set Automatic Toilet Bowl Cleaner, Trident Products Inc., So. San Francisco, Calif. 94080. (date unknown).

Primary Examiner—Wallace R. Burke

Assistant Examiner—M. H. Tung

Attorney, Agent, or Firm—Leydig, Voit & Mayer, Ltd.

[57] **CLAIM**

The ornamental design for a toilet tank chemical dispenser, as shown and described.

DESCRIPTION

FIG. 1 is a perspective view of the toilet tank chemical dispenser according to the invention taken from above, front and on one side of the dispenser;

FIG. 2 is a perspective view of the toilet tank chemical dispenser according to the invention taken from below, rear and on the other side of the dispenser with respect of FIG. 1;

FIG. 3 is a front view of the toilet tank chemical dispenser;

FIG. 4 is a view of one side of the toilet tank chemical dispenser;

FIG. 5 is a rear view of the toilet tank chemical dispenser;

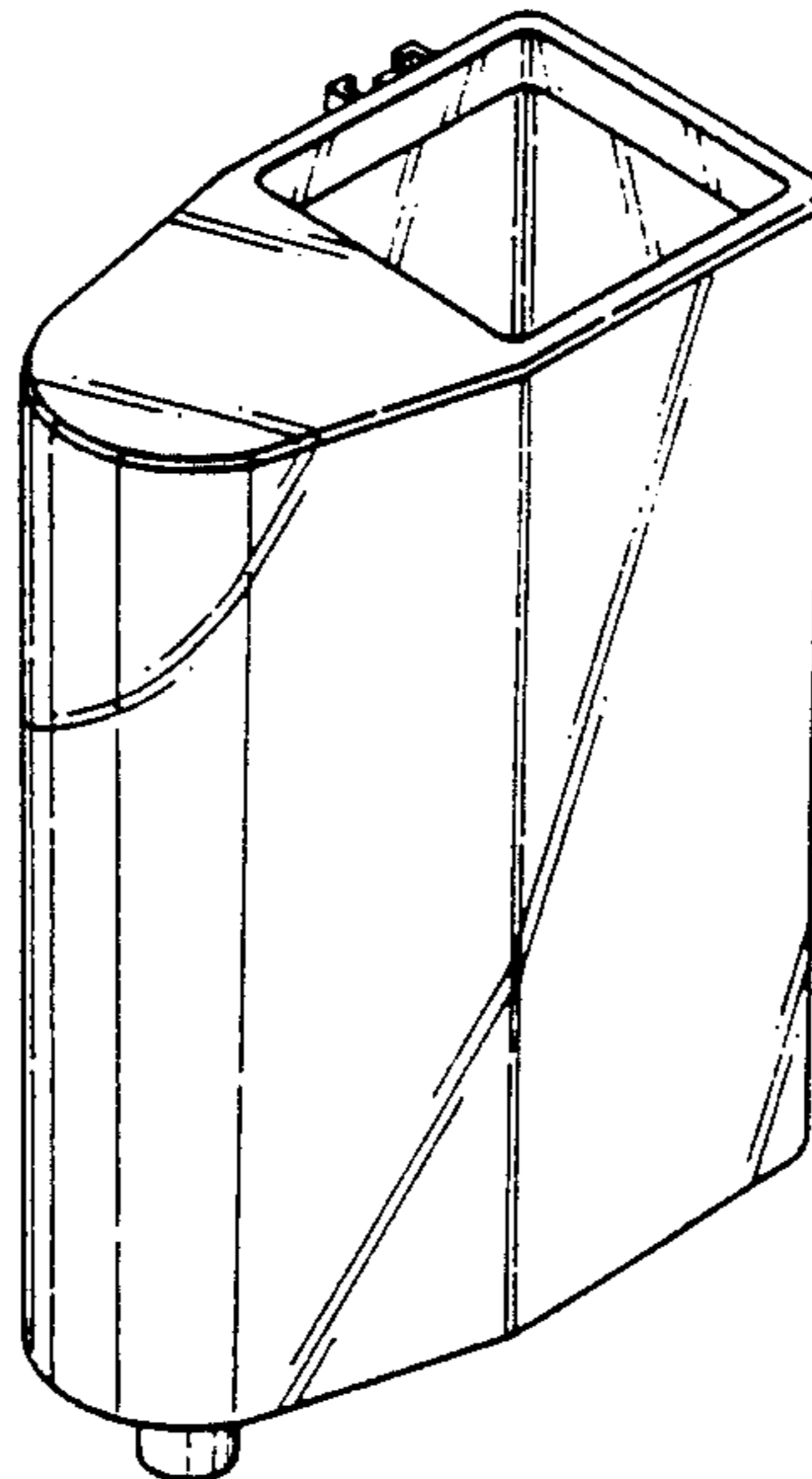
FIG. 6 is a view of the other side of the toilet tank chemical dispenser with respect of FIG. 4;

FIG. 7 is a plan view of the toilet tank chemical dispenser;

FIG. 8 is an underneath view of the toilet tank dispenser;

FIG. 9 is a section view of the toilet tank deodorant dispenser along line 9-9 of FIG. 4; and,

FIG. 10 is a section view of the toilet tank dispenser along line 10-10 of FIG. 3.



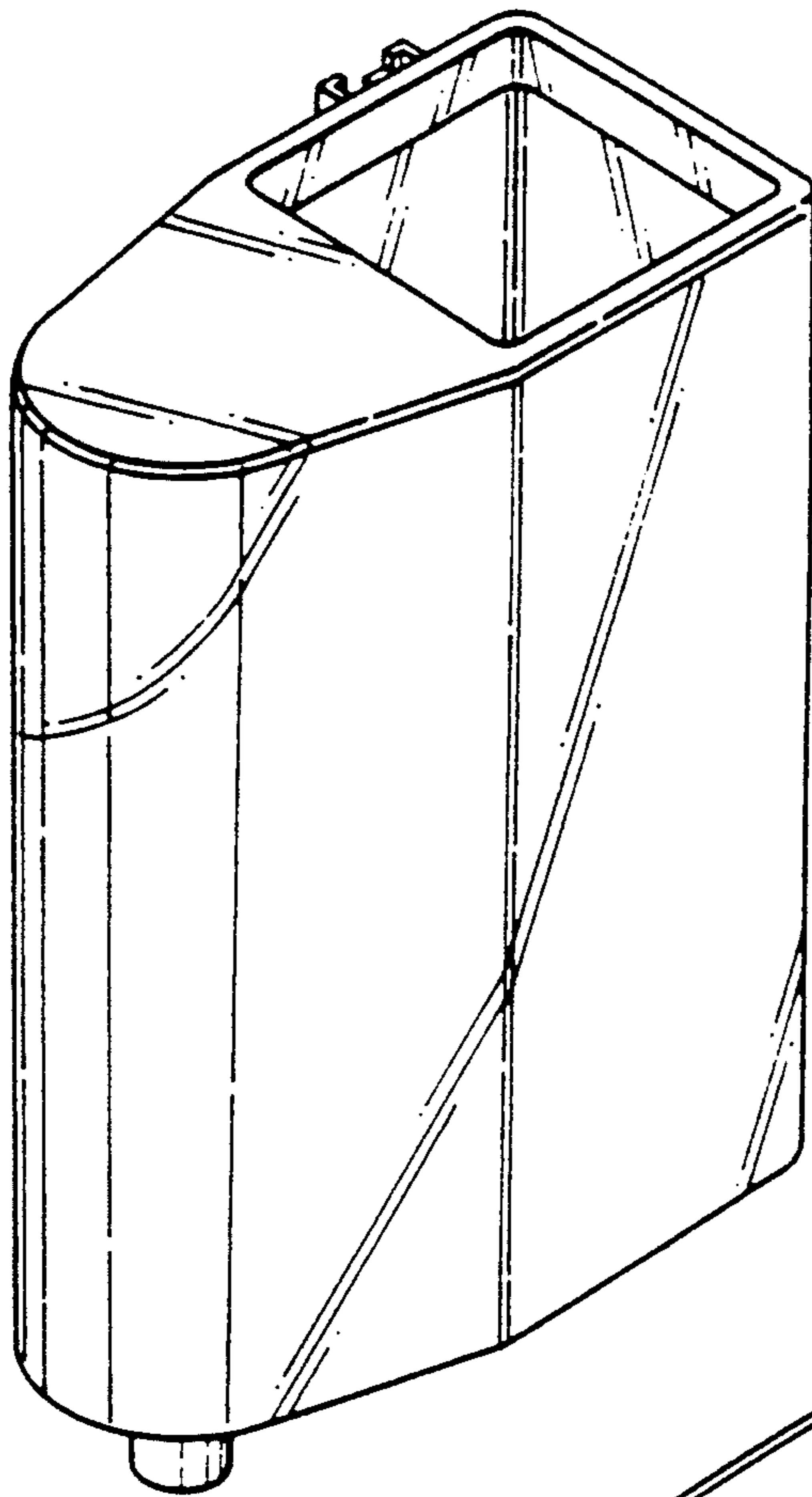


FIG. 1

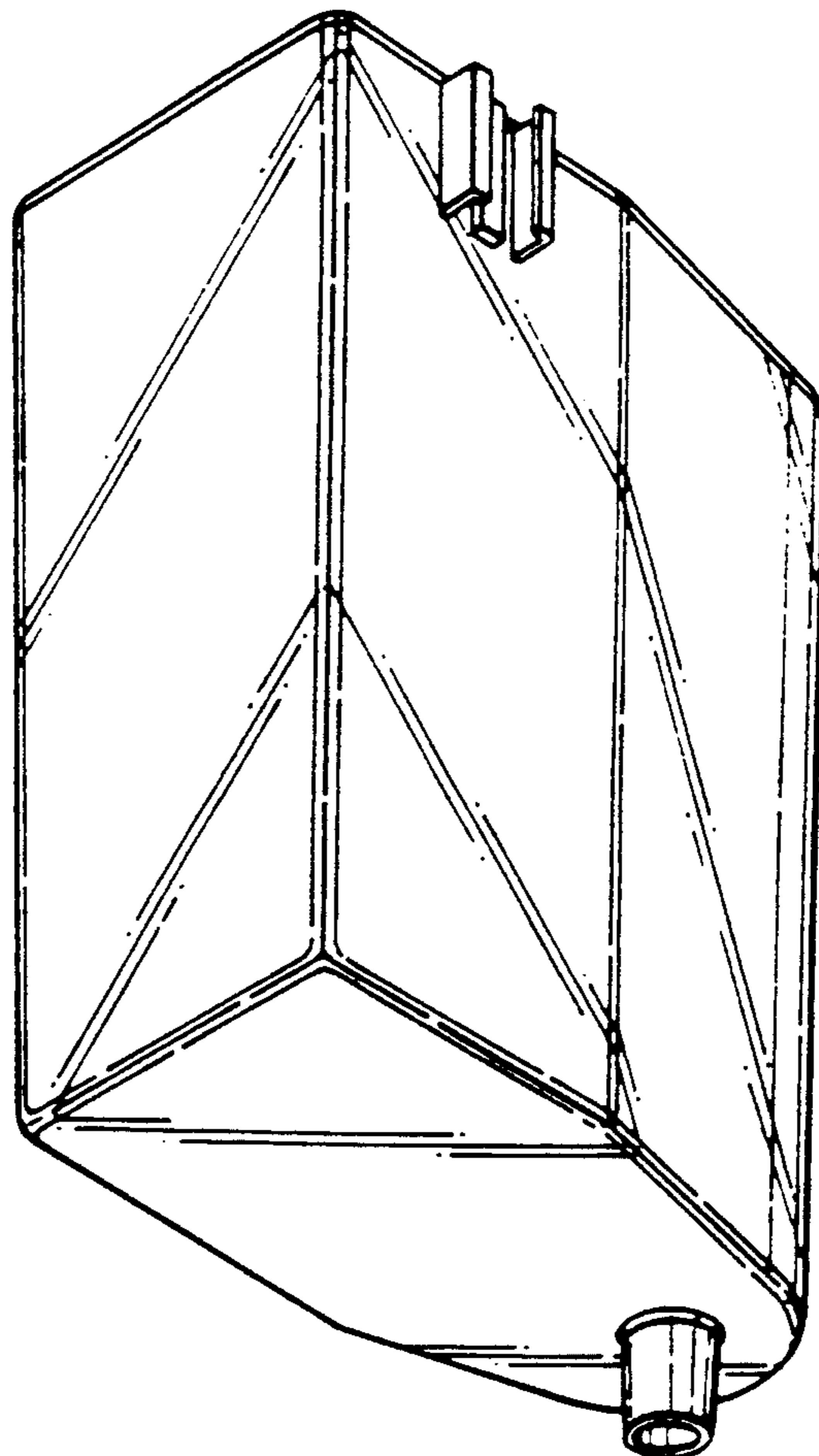


FIG. 2

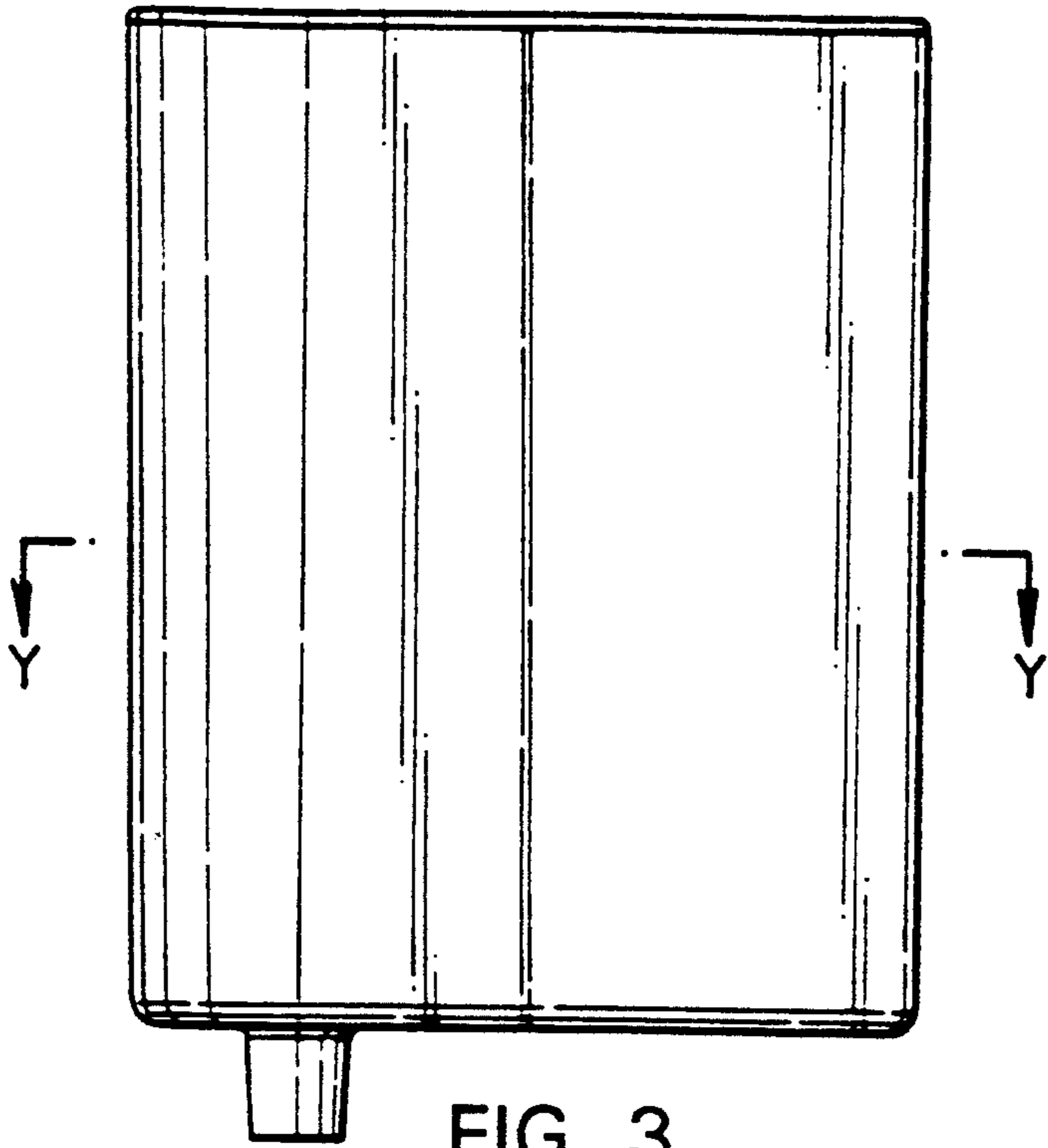


FIG. 3

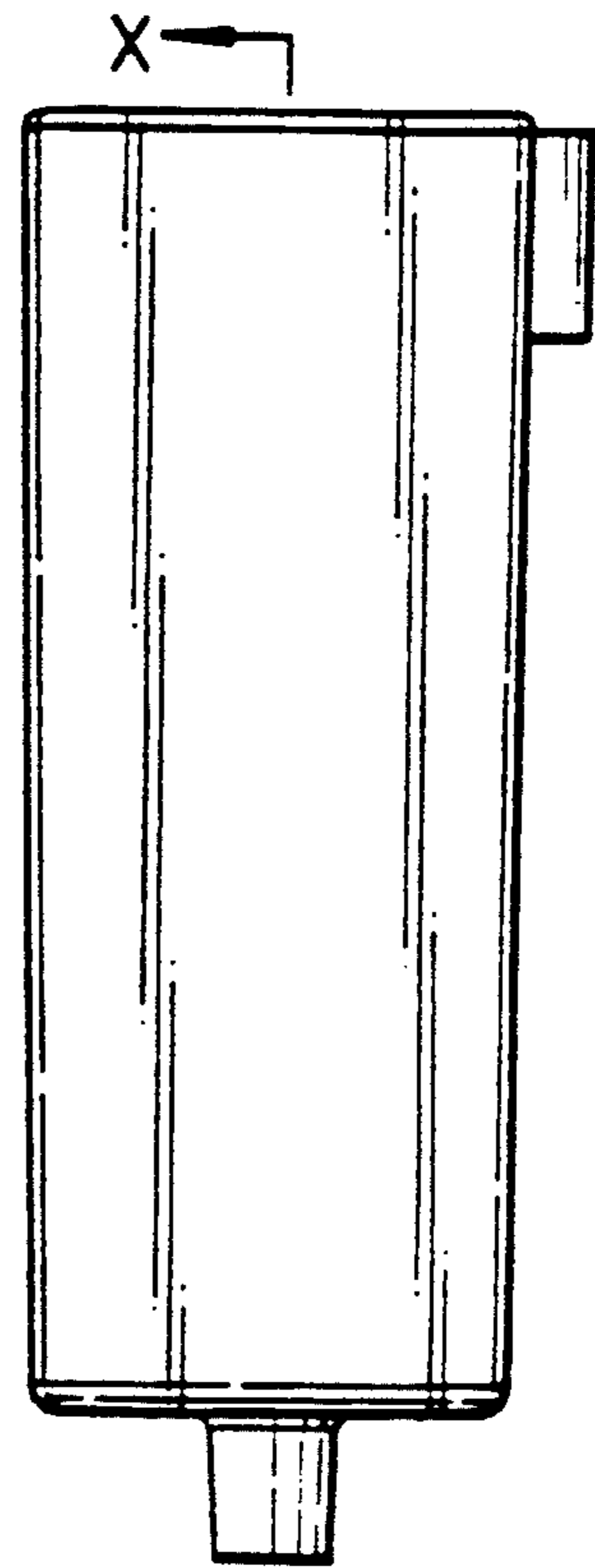


FIG. 4

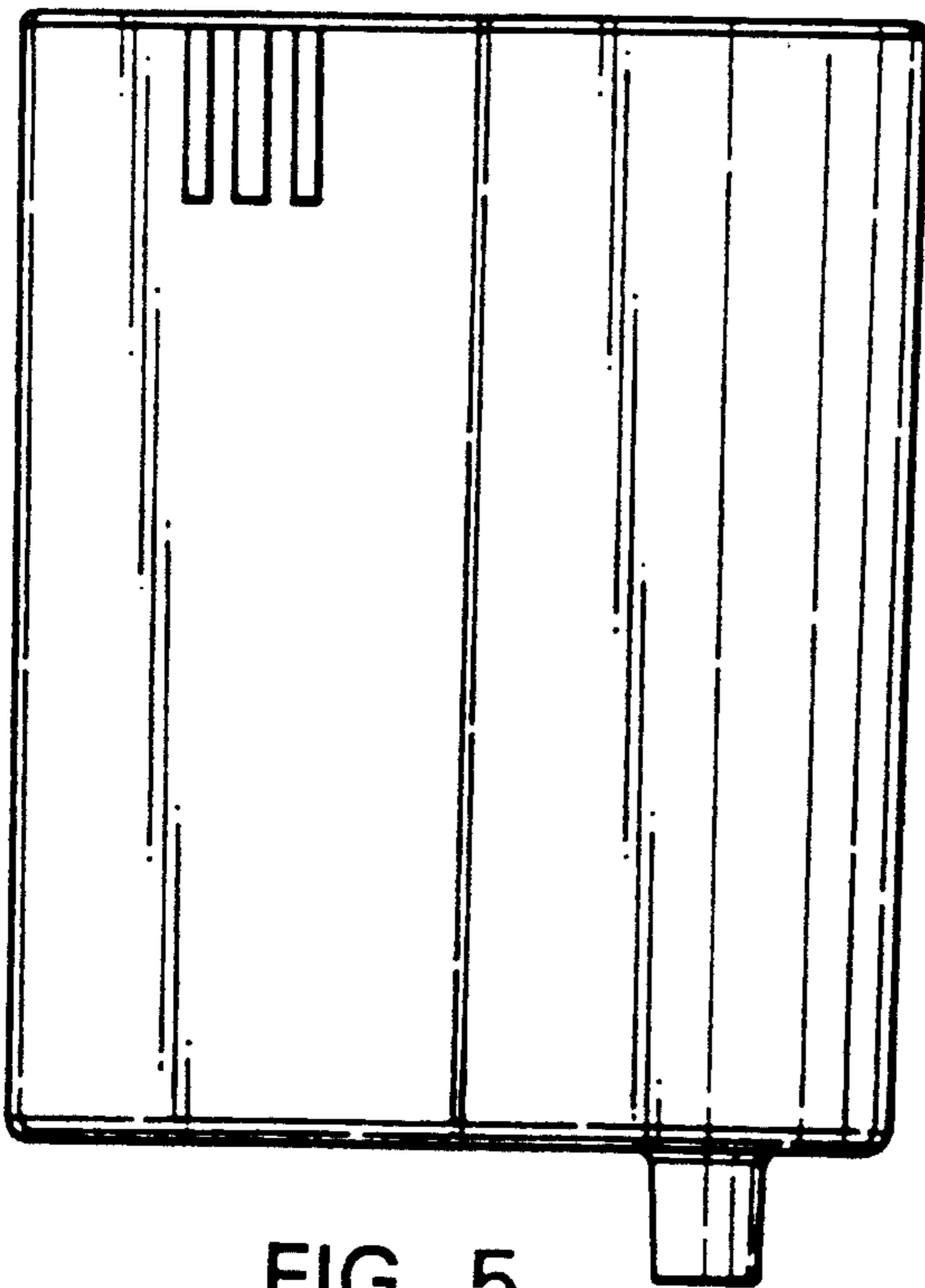


FIG. 5

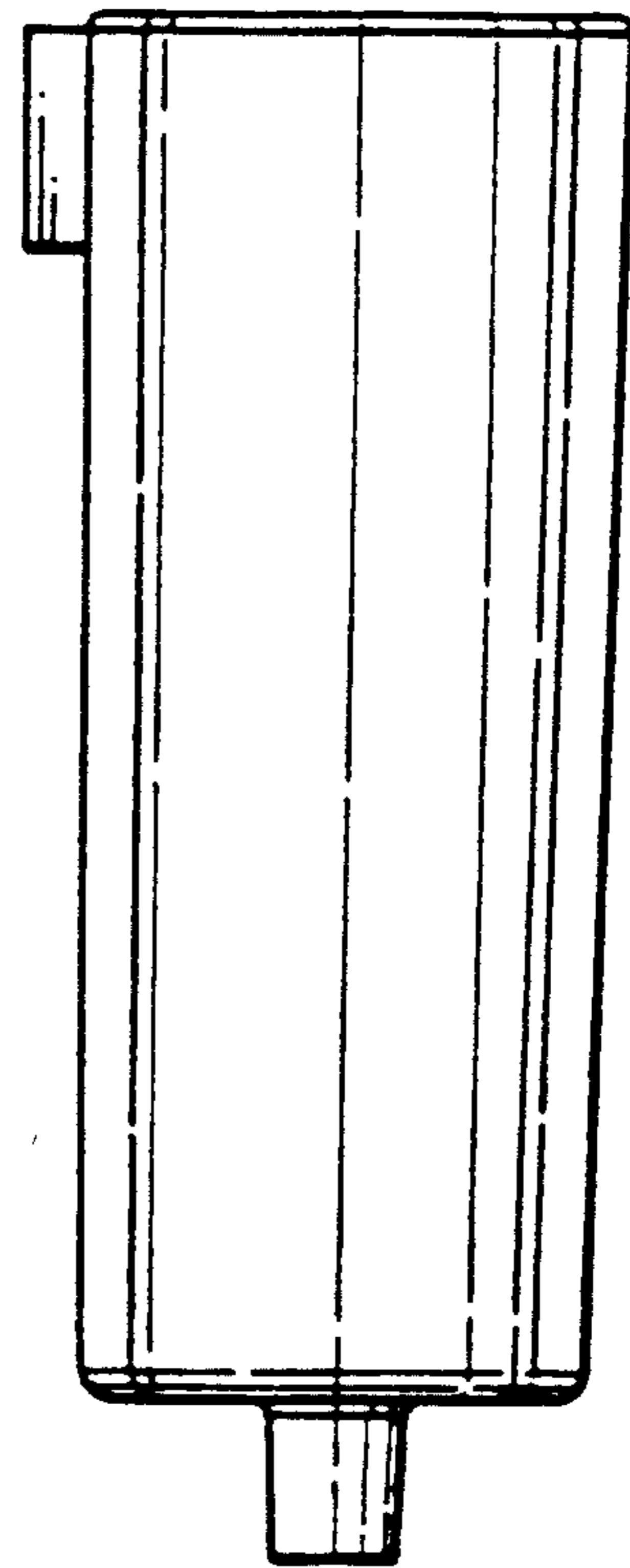


FIG. 6

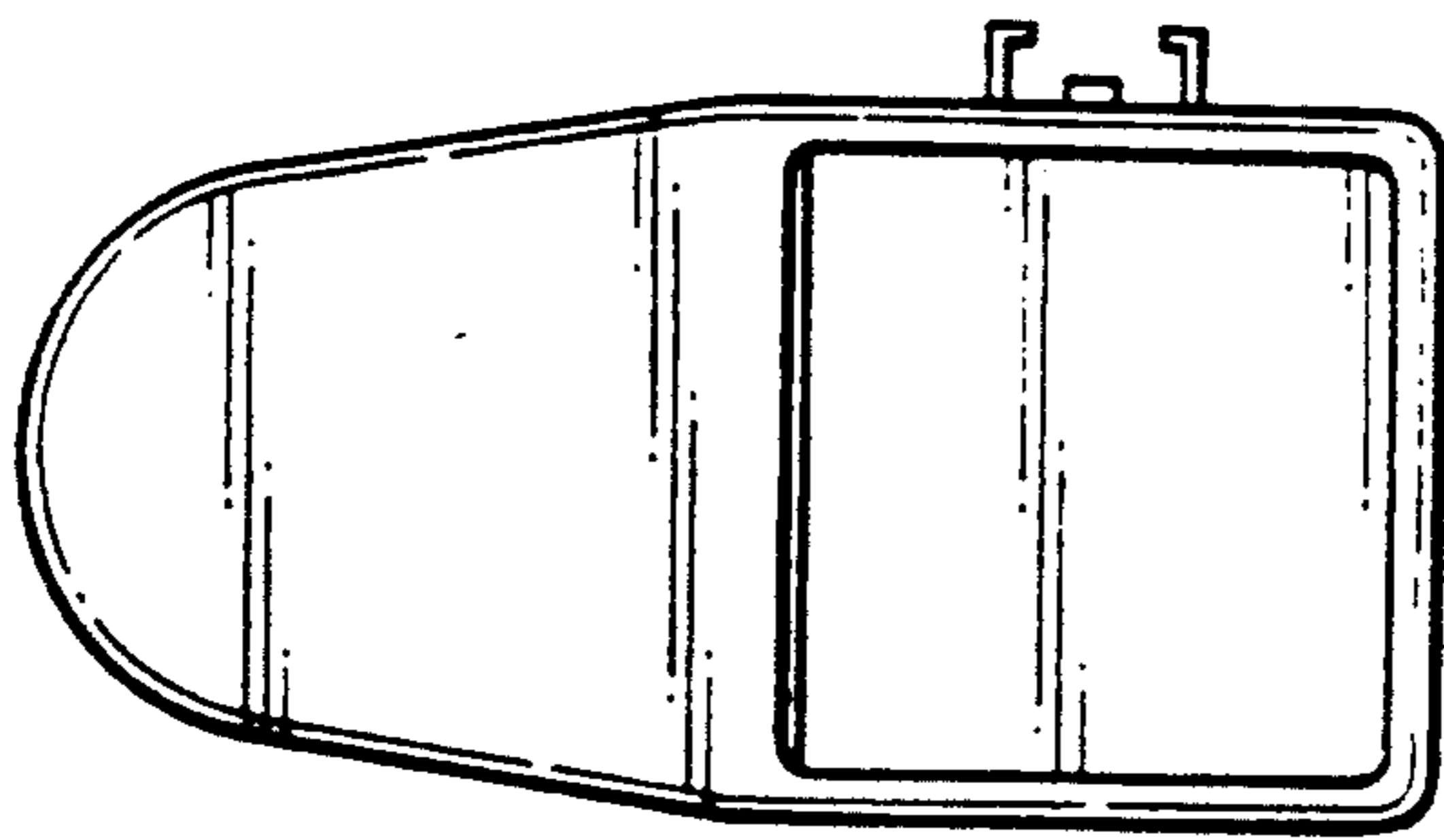


FIG. 7

FIG. 8

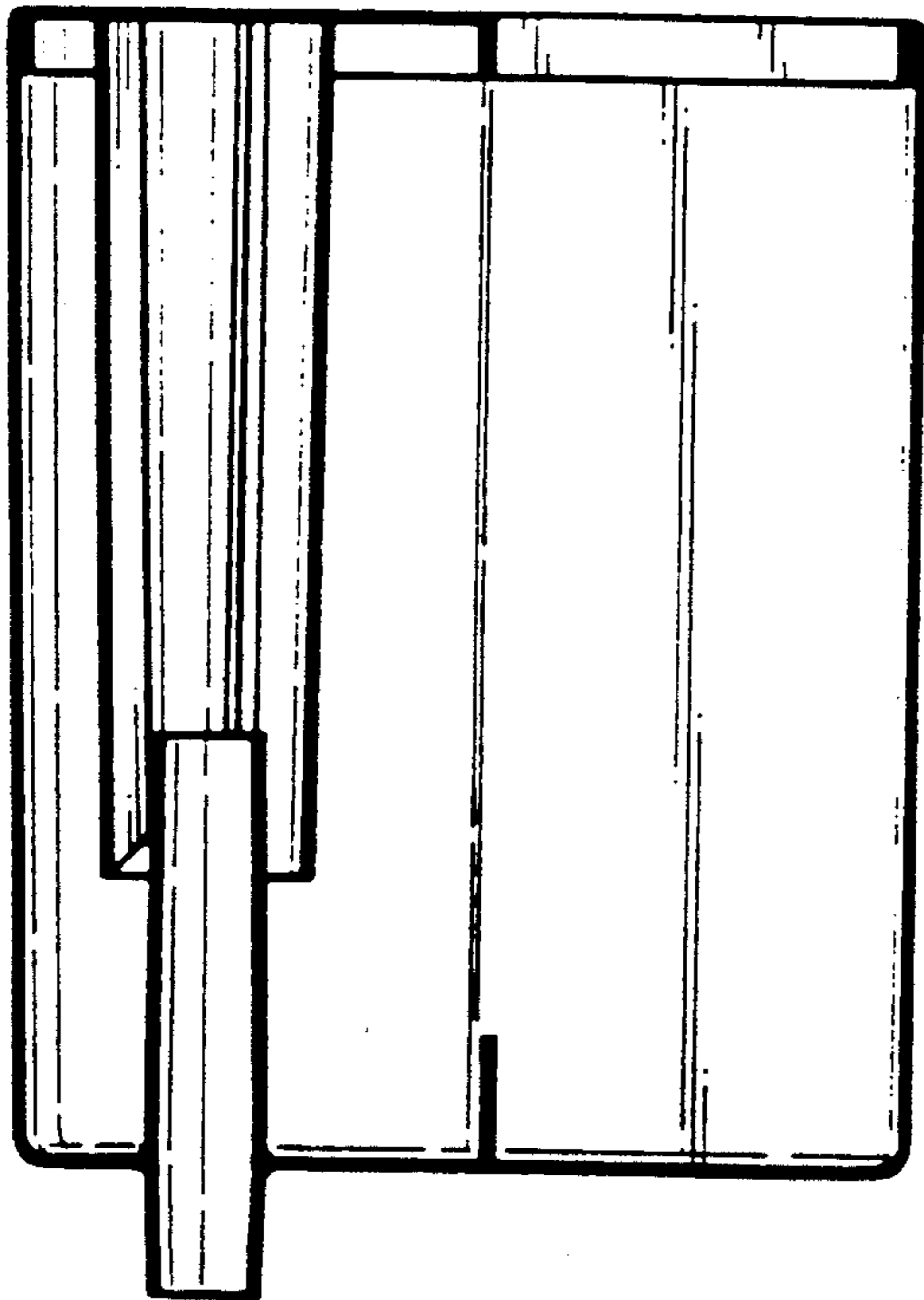
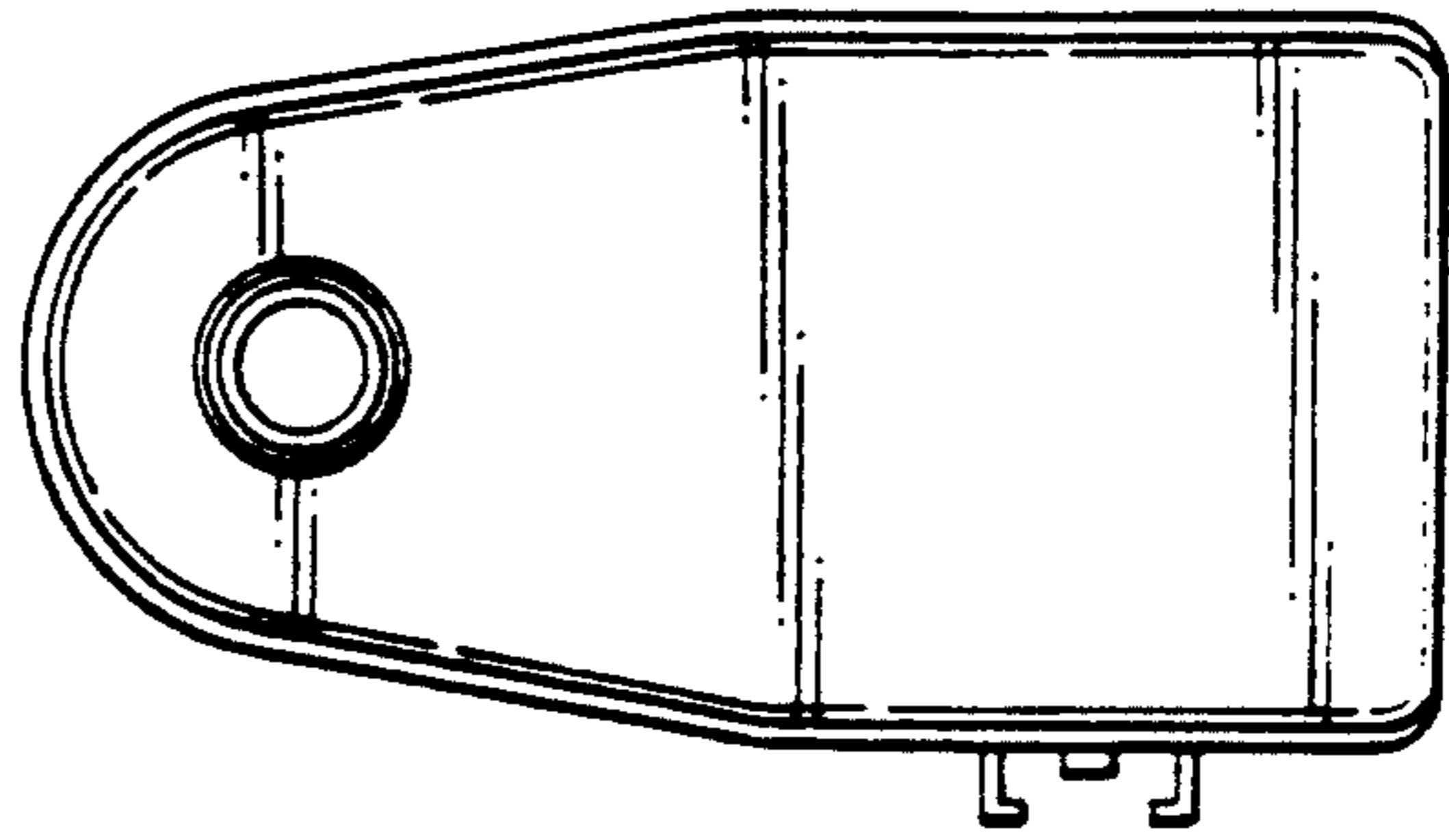


FIG. 9

FIG. 10

