



US00D345195S

United States Patent [19]

[11] Patent Number: **Des. 345,195**

Kelly

[45] Date of Patent: **** Mar. 15, 1994**

[54] TOILET TANK CHEMICAL DISPENSER

[75] Inventor: **Graham Kelly**, Norwich, England

[73] Assignee: **Jeyes Group plc**, England

[**] Term: **14 Years**

[21] Appl. No.: **937,245**

[22] Filed: **Aug. 28, 1992**

[30] Foreign Application Priority Data

Feb. 28, 1992 [GB] United Kingdom 2021493
 [52] U.S. Cl. **D23/208**
 [58] Field of Search 4/223-224,
 4/227.1-228.1, 231; 422/26 AB, 265; 222/54,
 56, 67, 310; 239/154, 310, 317-318, 375, 526,
 583, 302; 210/169, 205, 242.1, 416.2, 193, 198.1;
 D23/200, 207-208, 213

[56] References Cited

U.S. PATENT DOCUMENTS

D. 249,355 9/1978 Blank D23/208
 D. 276,646 12/1984 Ronayne D23/208
 D. 284,693 7/1986 Ronayne D23/208
 D. 292,605 11/1987 Shaer et al. D23/208
 D. 307,625 5/1990 King et al. D23/208
 4,707,866 11/1987 von Philipp et al. 4/227.7
 4,813,084 3/1989 Buecheler et al. 4/231

FOREIGN PATENT DOCUMENTS

89304435.4 3/1989 European Pat. Off. .

OTHER PUBLICATIONS

Photographs (Series A-D) illustrating the Null-Null W. C. Wasserkasten Automat. (1990).
 Photographs (Series A-C) illustrating the "Biofresh" from Hungary. (date unknown).
 Label for "Blue Flush" form Racasan Limited, Manchester, England. (1986).
 Label for "WC Frisch" from Wasserkasten-Automat, Thompson-Siegel GmbH, Düsseldorf, Germany. (date unknown).
 Label for "Trident" Starter Set Automatic Toilet Bowl Cleaner, Trident Products Inc., So. San Francisco, Calif. 94080. (date unknown).

Primary Examiner—Wallace R. Burke

Assistant Examiner—M. H. Tung

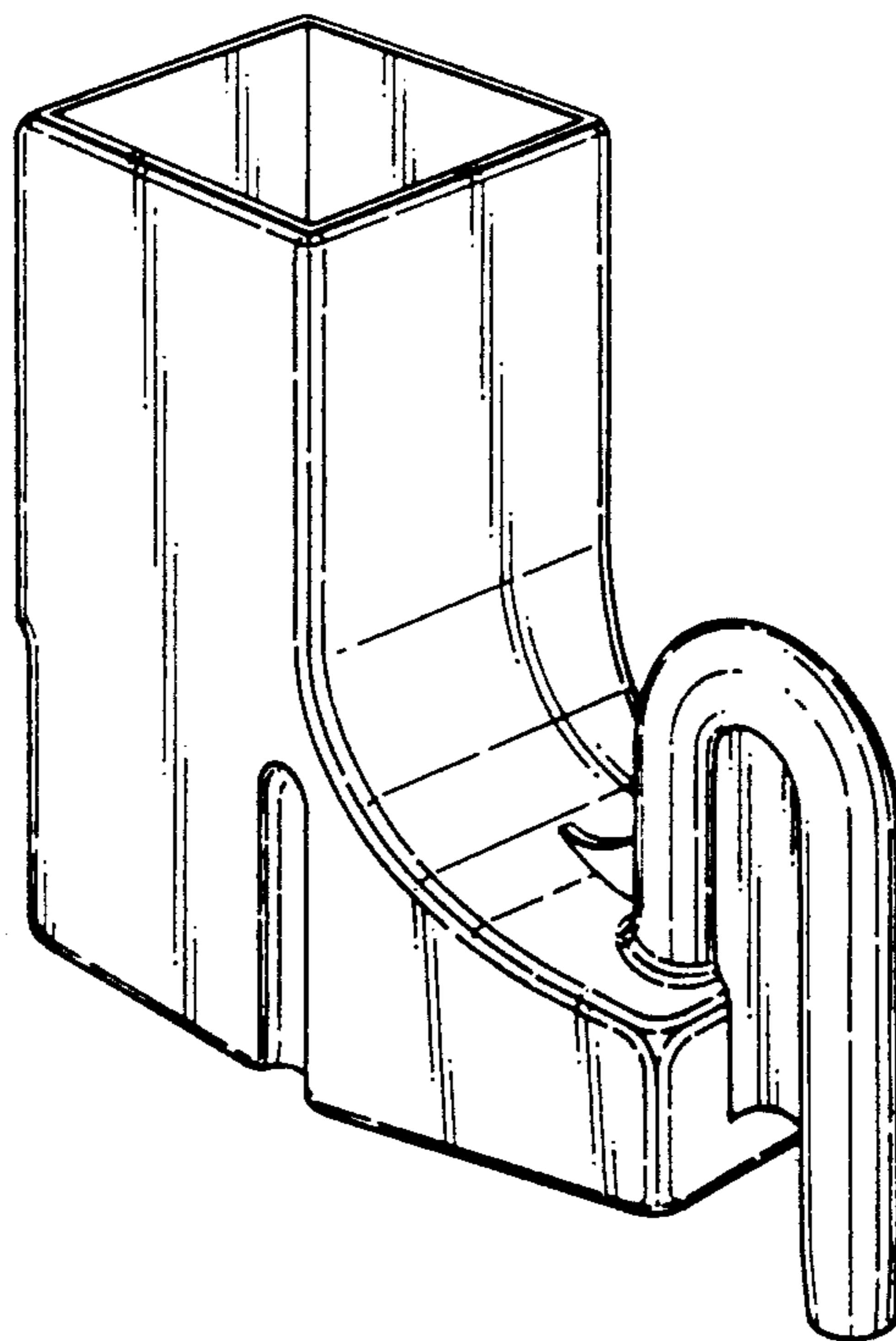
Attorney, Agent, or Firm—Leydig, Voit & Mayer, Ltd.

[57] CLAIM

The ornamental design for a toilet tank chemical dispenser, as shown and described.

DESCRIPTION

FIG. 1 is a perspective view of a toilet tank chemical dispenser according to the invention taken from above, front and on one side of the dispenser;
 FIG. 2 is a top plan view of a toilet tank deodorant dispenser;
 FIG. 3 is a front view of the liquid dispenser;
 FIG. 4 is a plan view of the liquid dispenser;
 FIG. 5 is an underneath view of the liquid dispenser; and,
 FIG. 6 is a side view of a toilet tank deodorant dispenser, the opposite side being a mirror image.



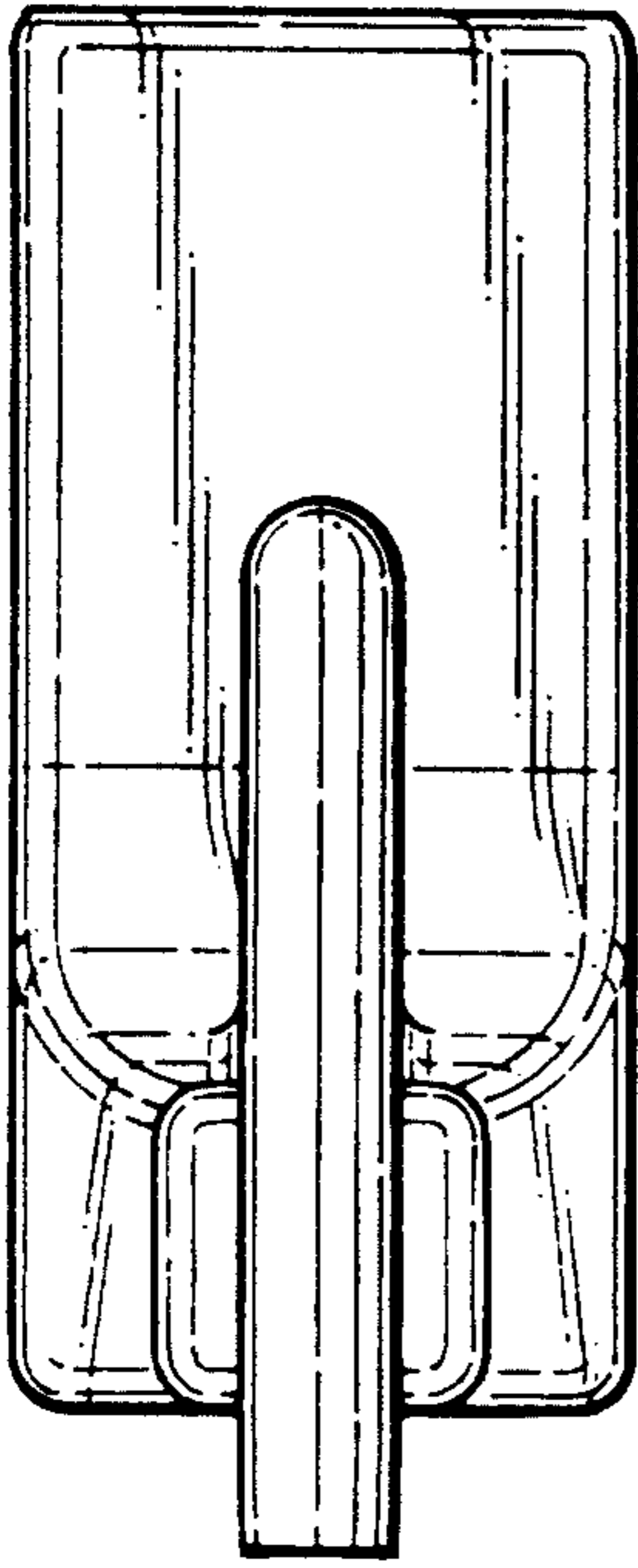


FIG. 1

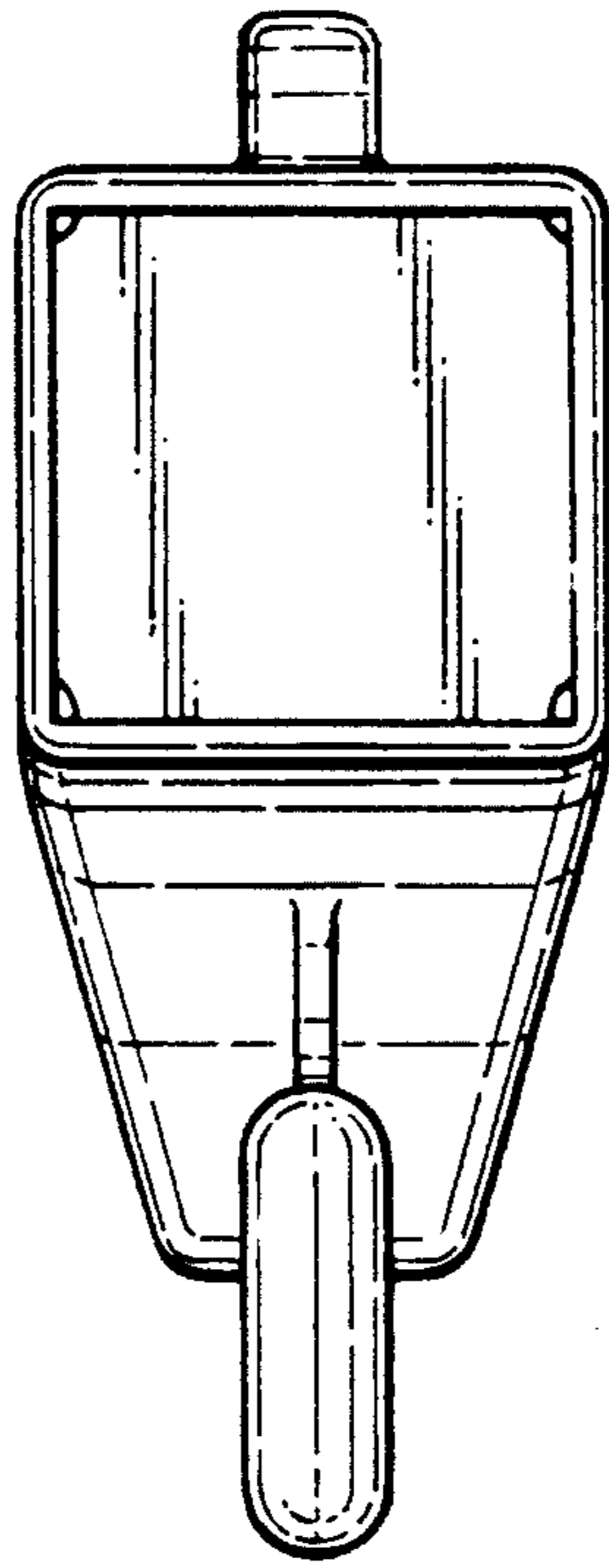


FIG. 2

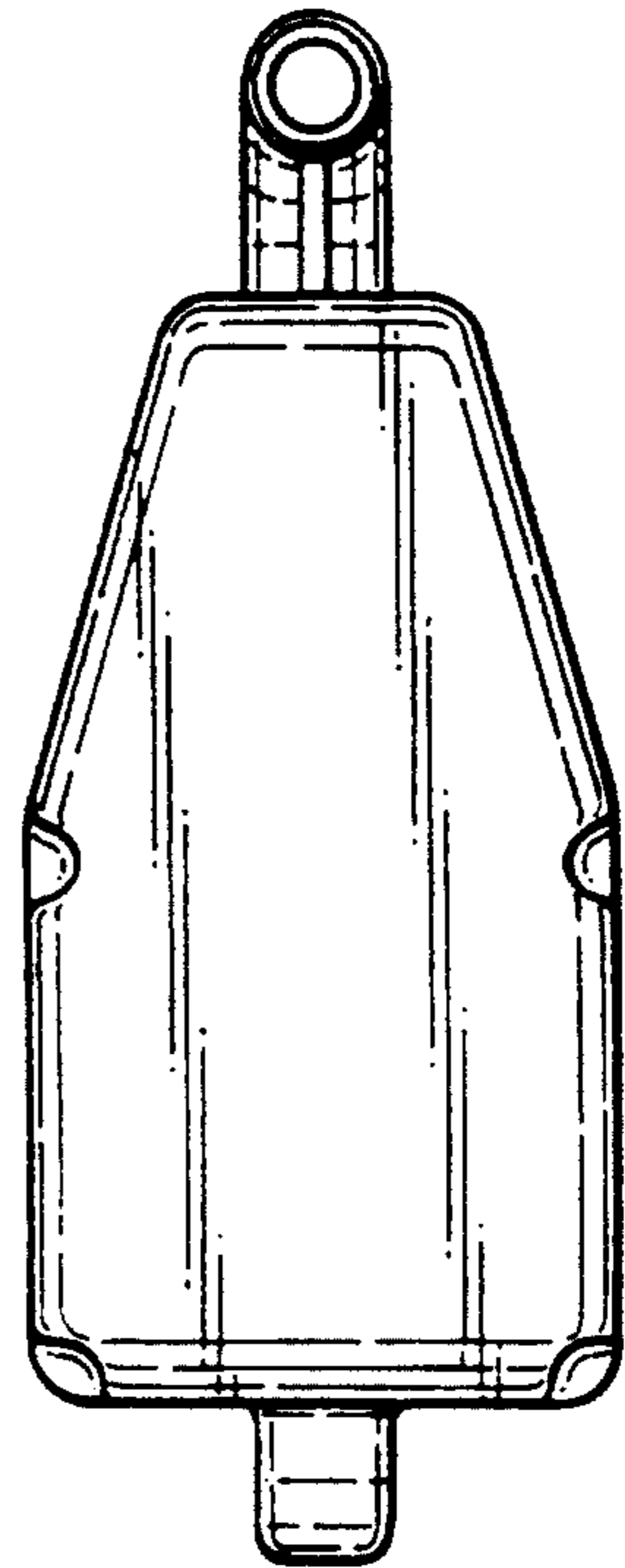


FIG. 3

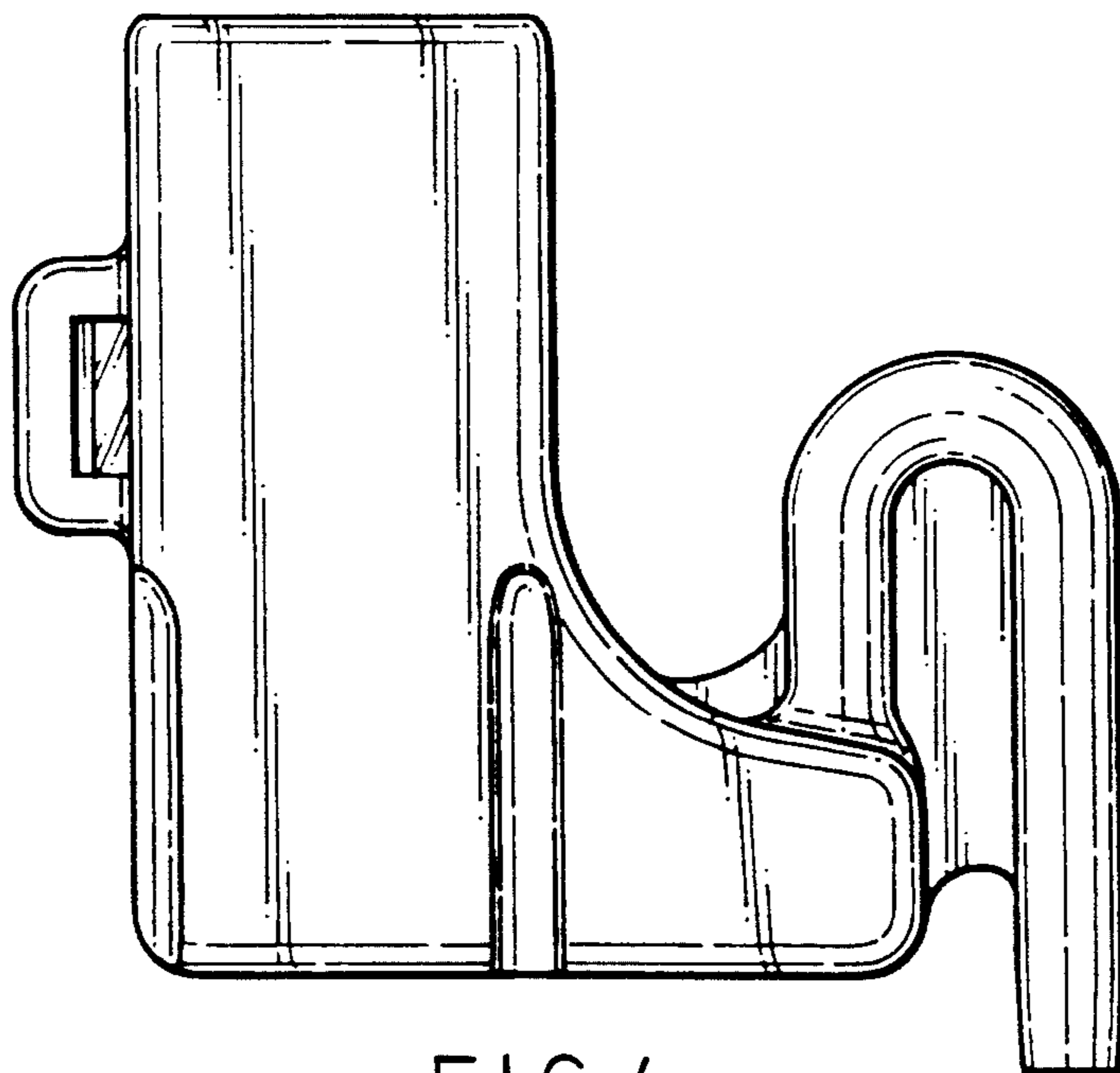


FIG. 4

FIG. 5

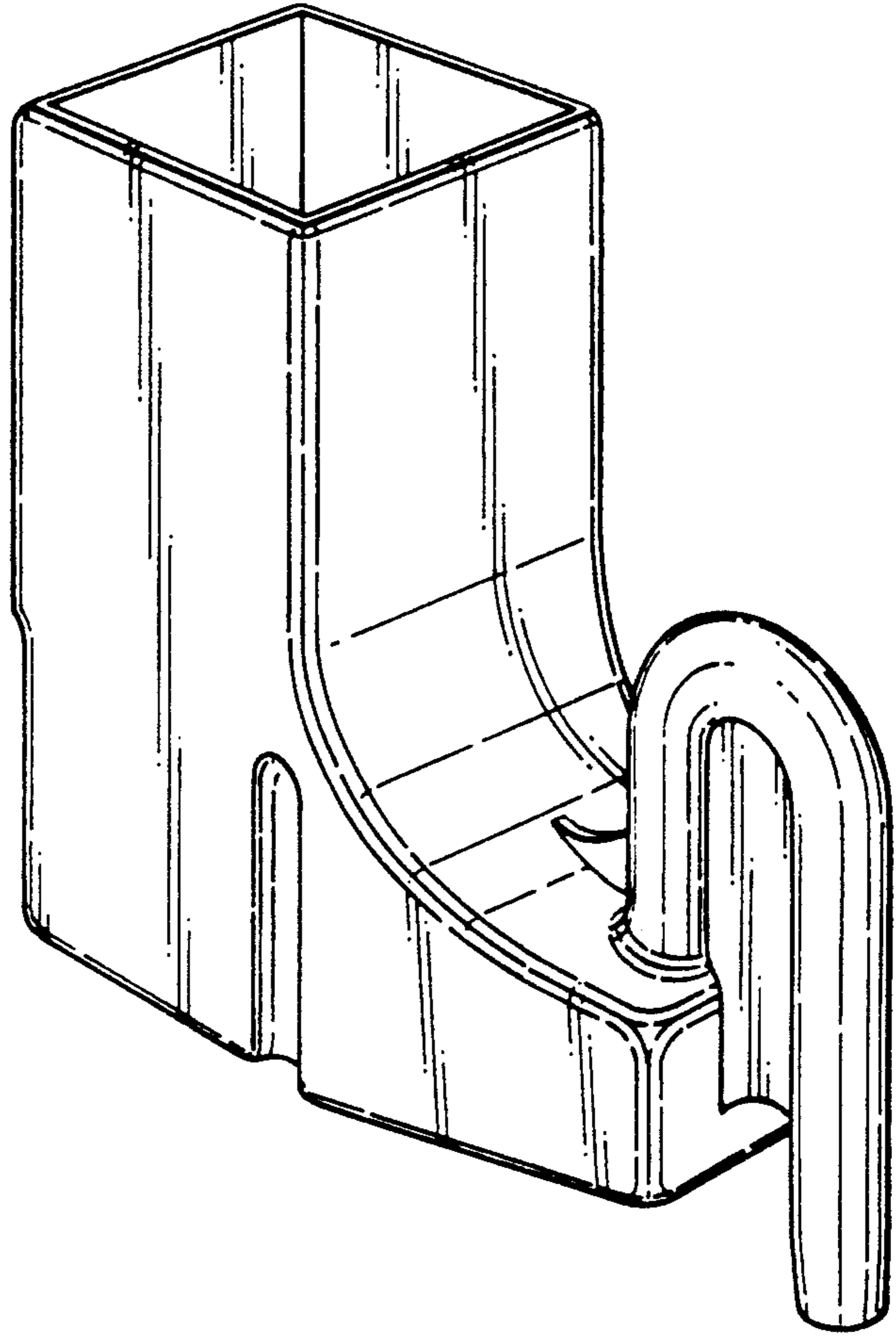


FIG. 6

