



US00D345190S

**United States Patent** [19]  
**Wooten**

[11] **Patent Number: Des. 345,190**

[45] **Date of Patent: \*\* Mar. 15, 1994**

[54] **PUTTER HEAD**

[75] **Inventor: Wayne R. Wooten, Hazlehurst, Ga.**

[73] **Assignee: The Teardrop Putter Corporation,  
Hilton Head, S.C.**

[\*\*] **Term: 14 Years**

[21] **Appl. No.: 837,430**

[22] **Filed: Feb. 18, 1992**

[52] **U.S. Cl. .... D21/217**

[58] **Field of Search ..... 273/164.1, 167-175;  
D21/214-220**

[56] **References Cited**

**U.S. PATENT DOCUMENTS**

- D. 212,890 12/1968 Rose ..... D21/217
- D. 279,497 7/1985 Brown ..... D21/219
- 1,647,487 11/1927 Vernon ..... D21/214
- 4,043,562 8/1977 Shillington ..... 273/164

**OTHER PUBLICATIONS**

Putter Advertisements, Austads Magazine, p. 25.

*Primary Examiner—Melvin B. Feifer  
Attorney, Agent, or Firm—Louis T. Isaf*

[57] **CLAIM**

The ornamental design for putter head, as shown and described.

**DESCRIPTION**

FIG. 1 is a perspective view of a putter head, showing my new design;

FIG. 2 is a top view thereof;

FIG. 3 is a bottom view thereof;

FIG. 4 is a left side view thereof;

FIG. 5 is a right side view thereof;

FIG. 6 is a front view thereof;

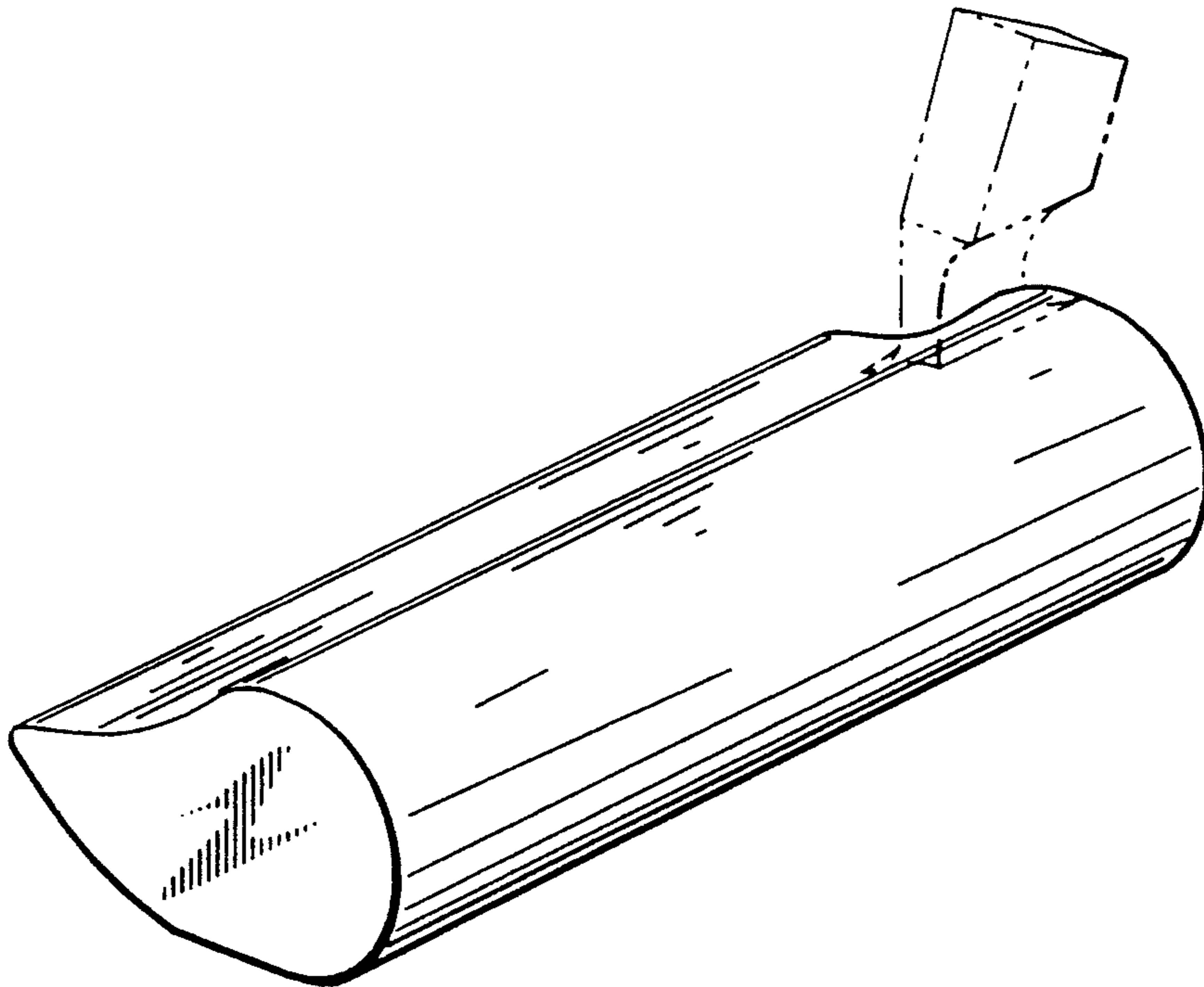
FIG. 7 is a rear view thereof;

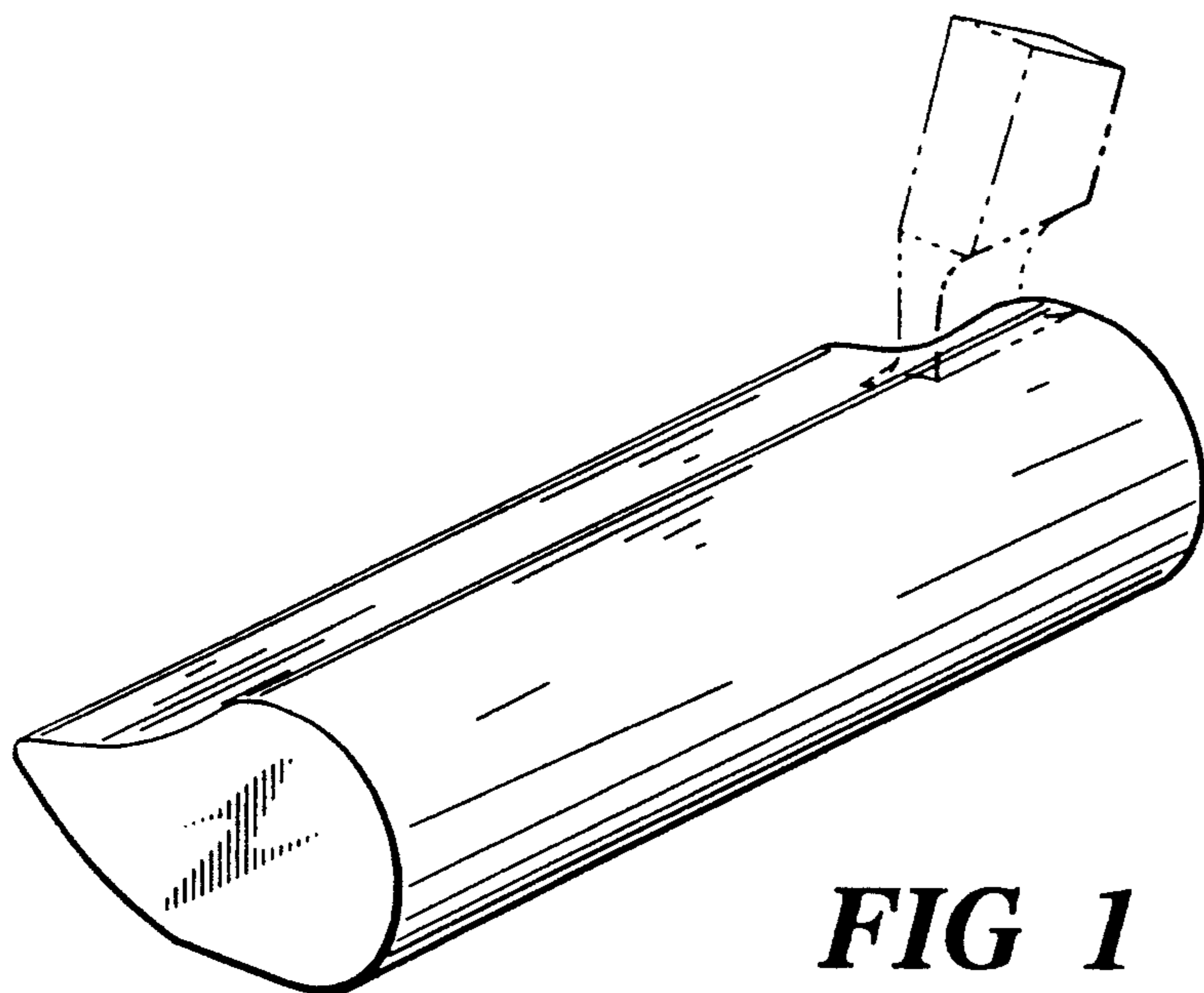
FIG. 8 is a top view of a second embodiment thereof; and,

FIG. 9 is a front view of the embodiment of FIG. 8.

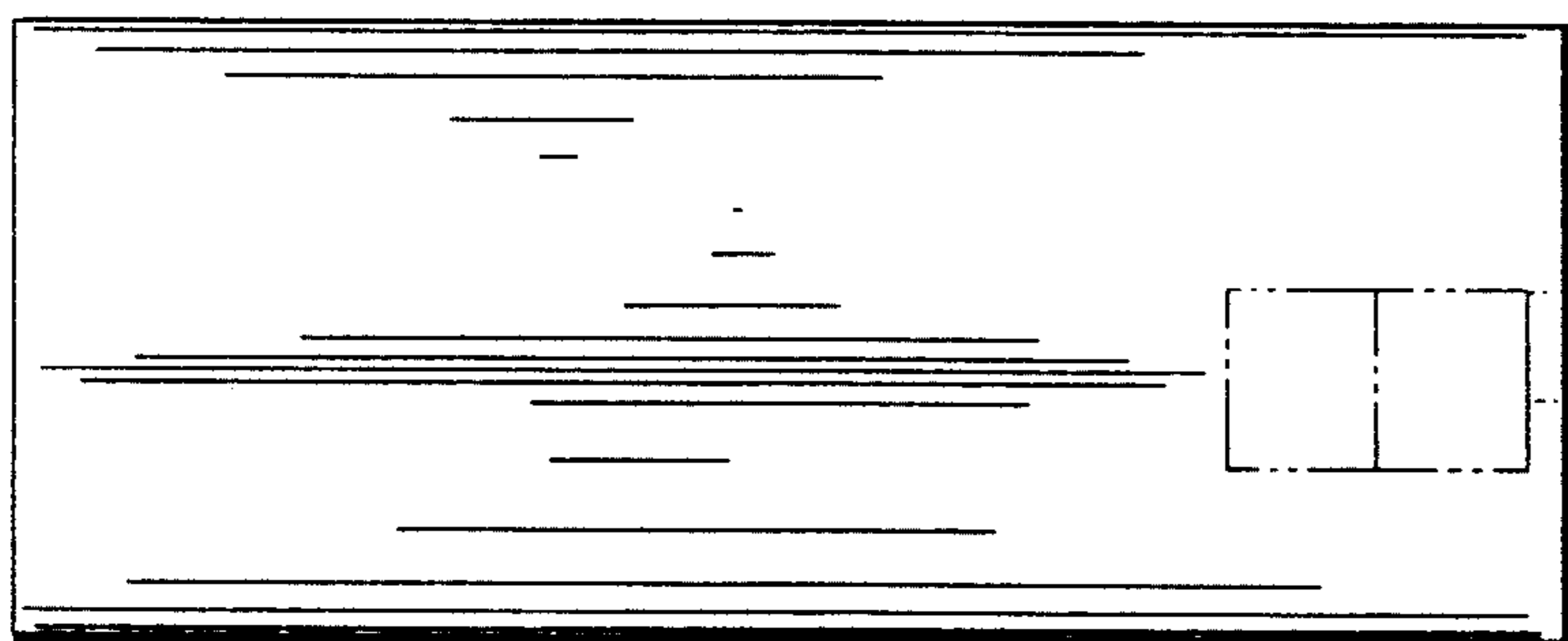
It being understood that the remaining views are the same as those seen in FIGS. 3, 4, and 5.

The broken lines in the drawing are for illustrative purposes only.

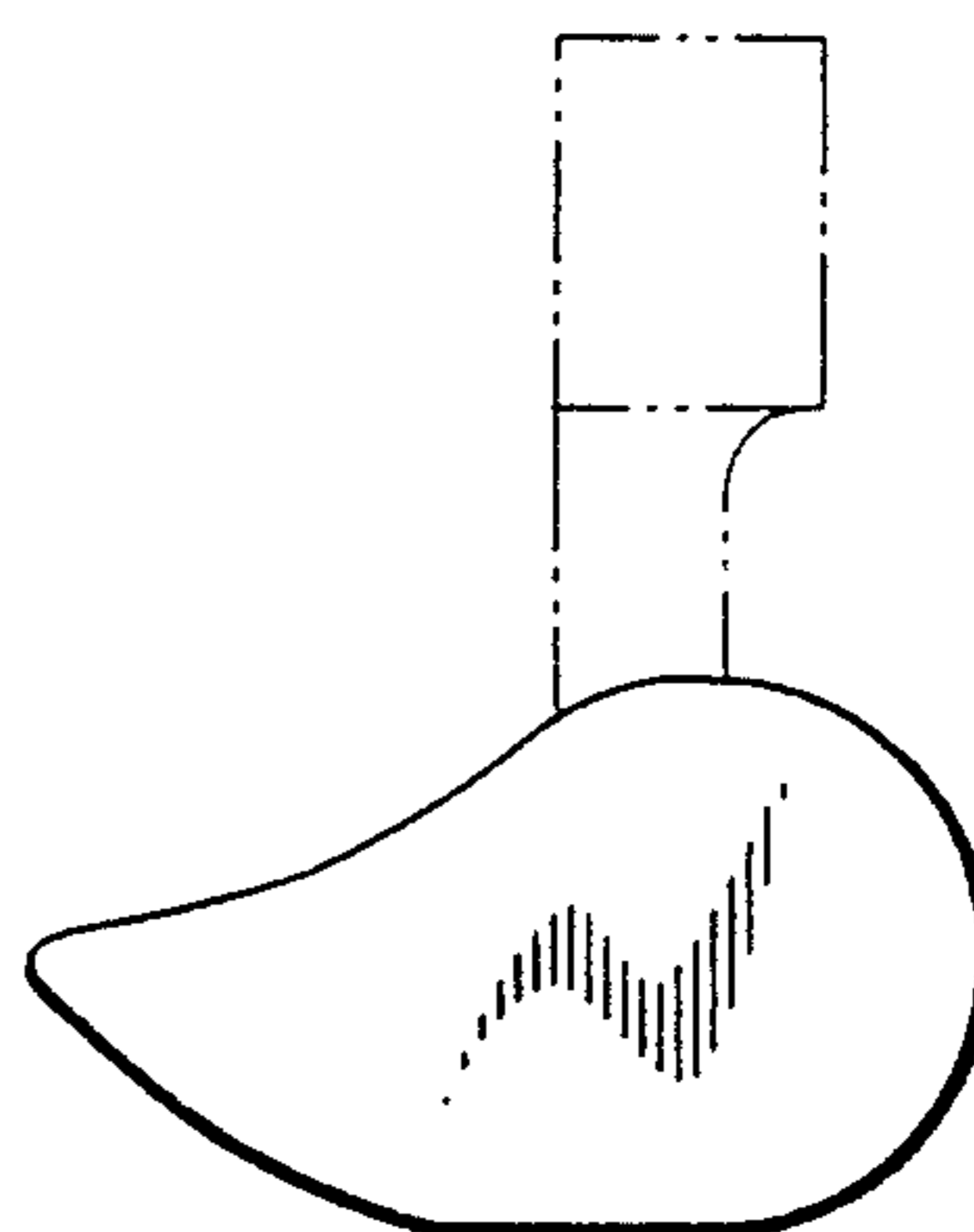




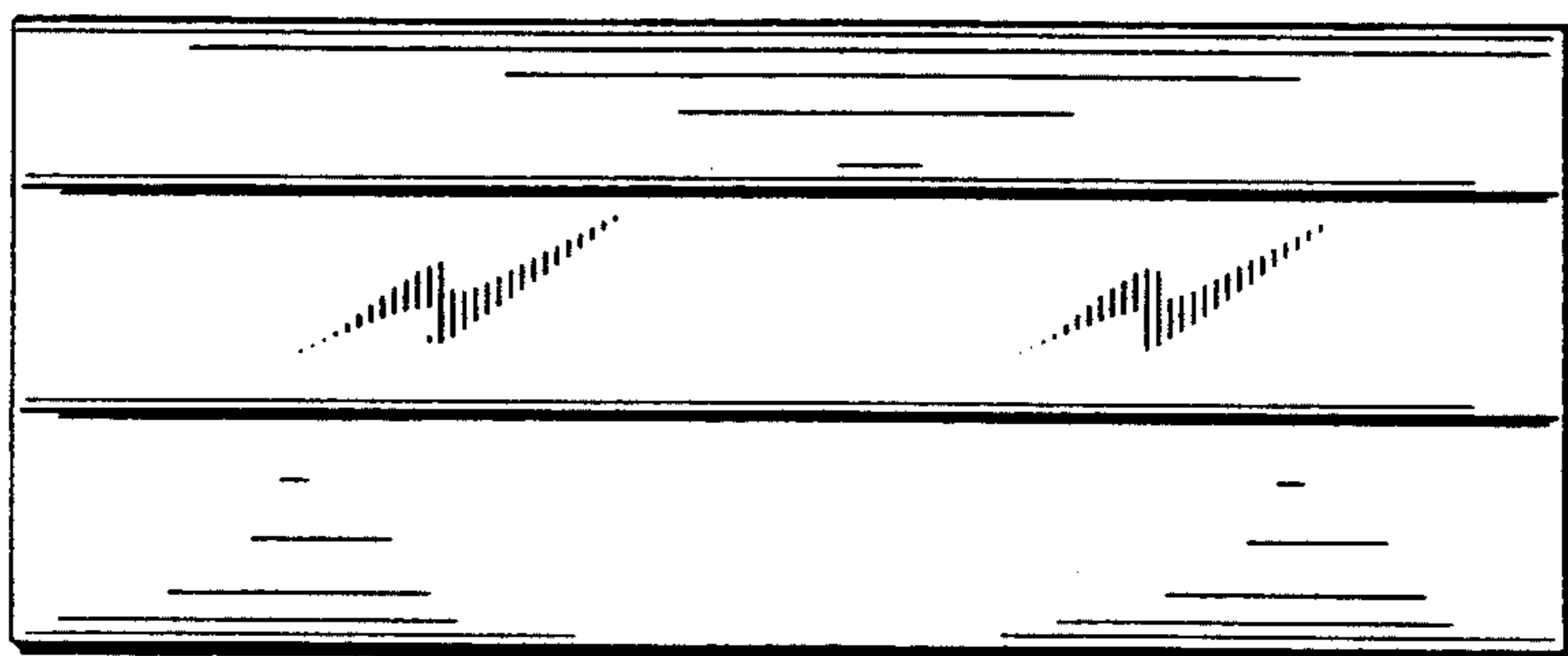
**FIG 1**



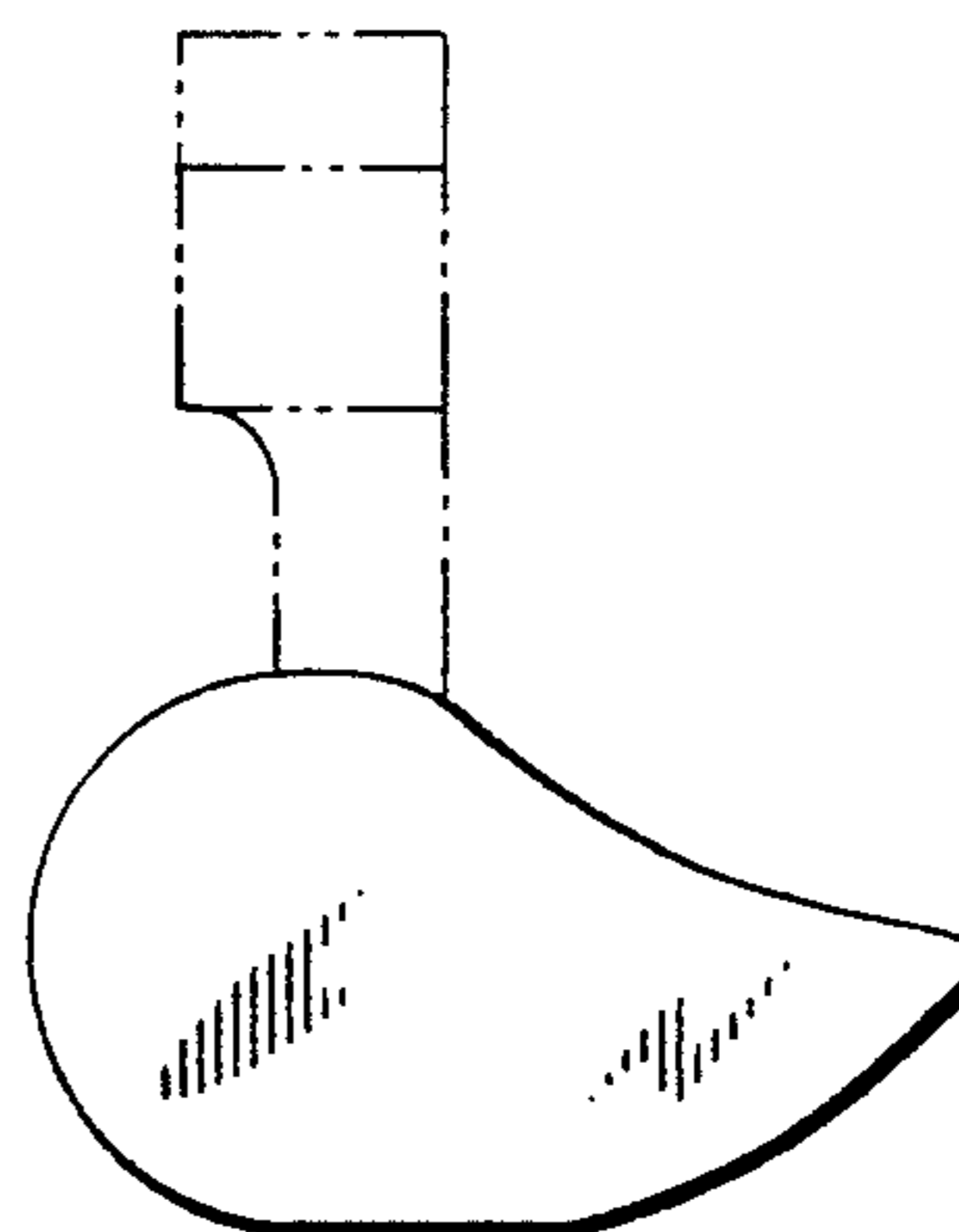
**FIG 2**



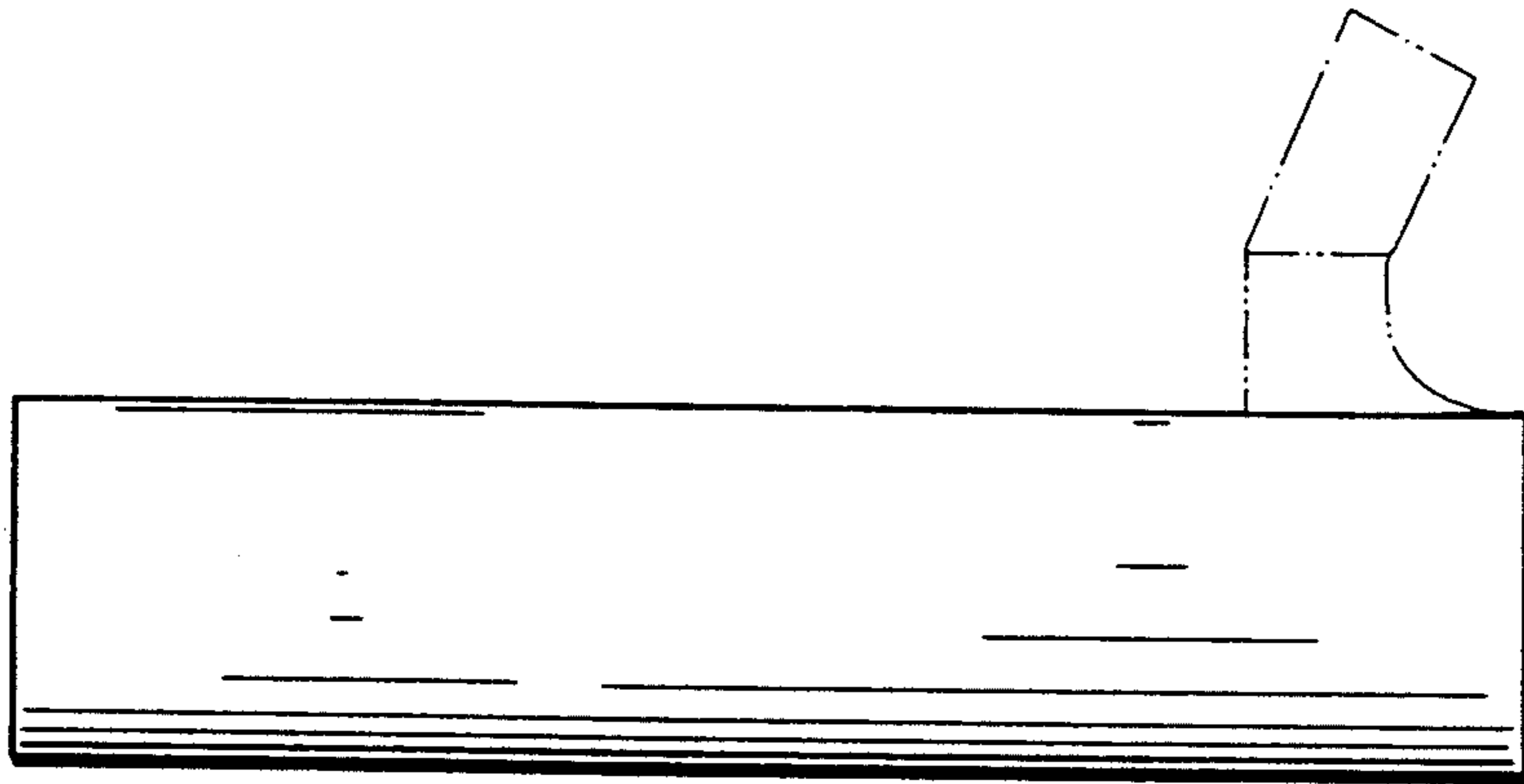
**FIG 4**



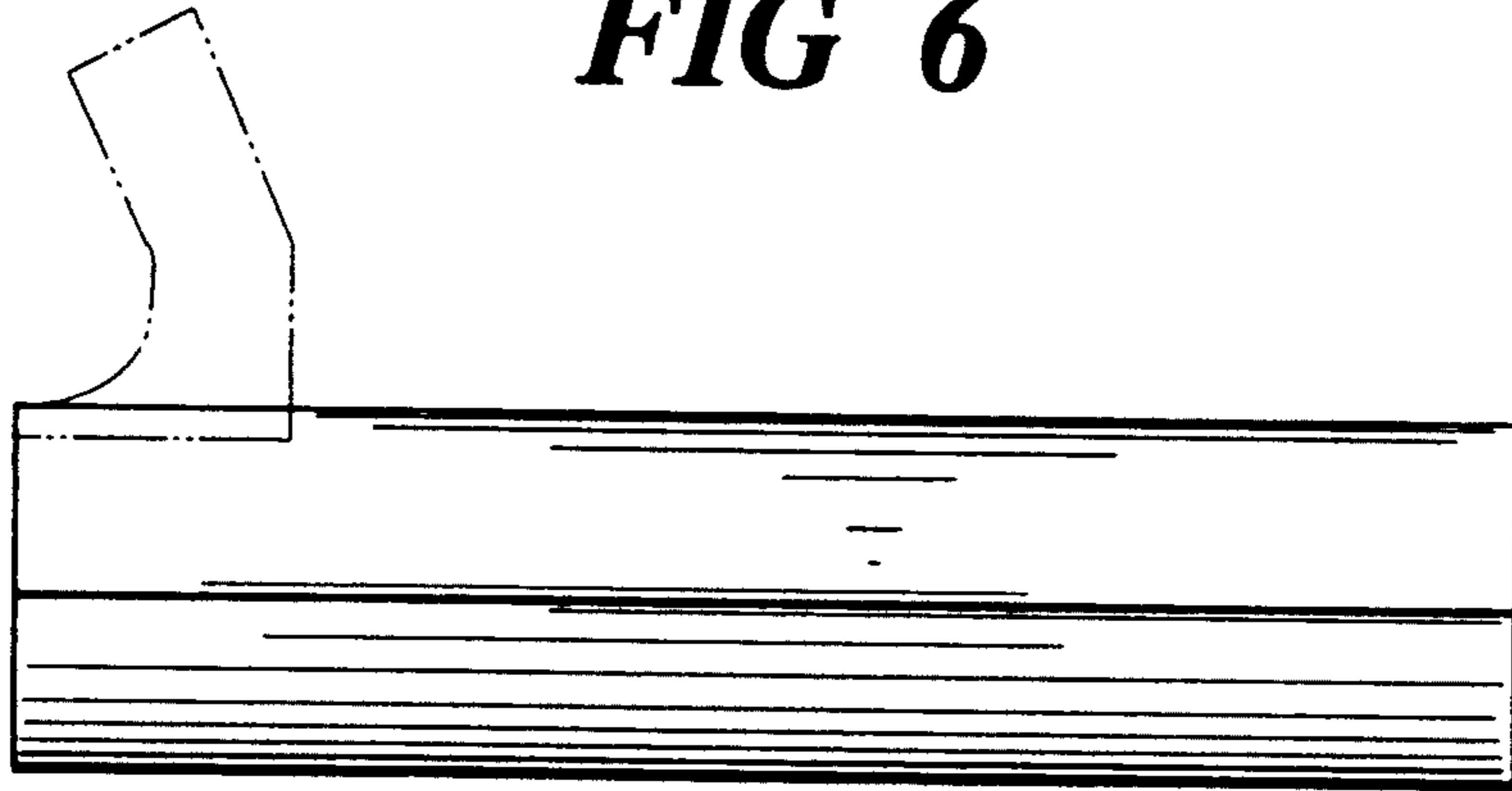
**FIG 3**



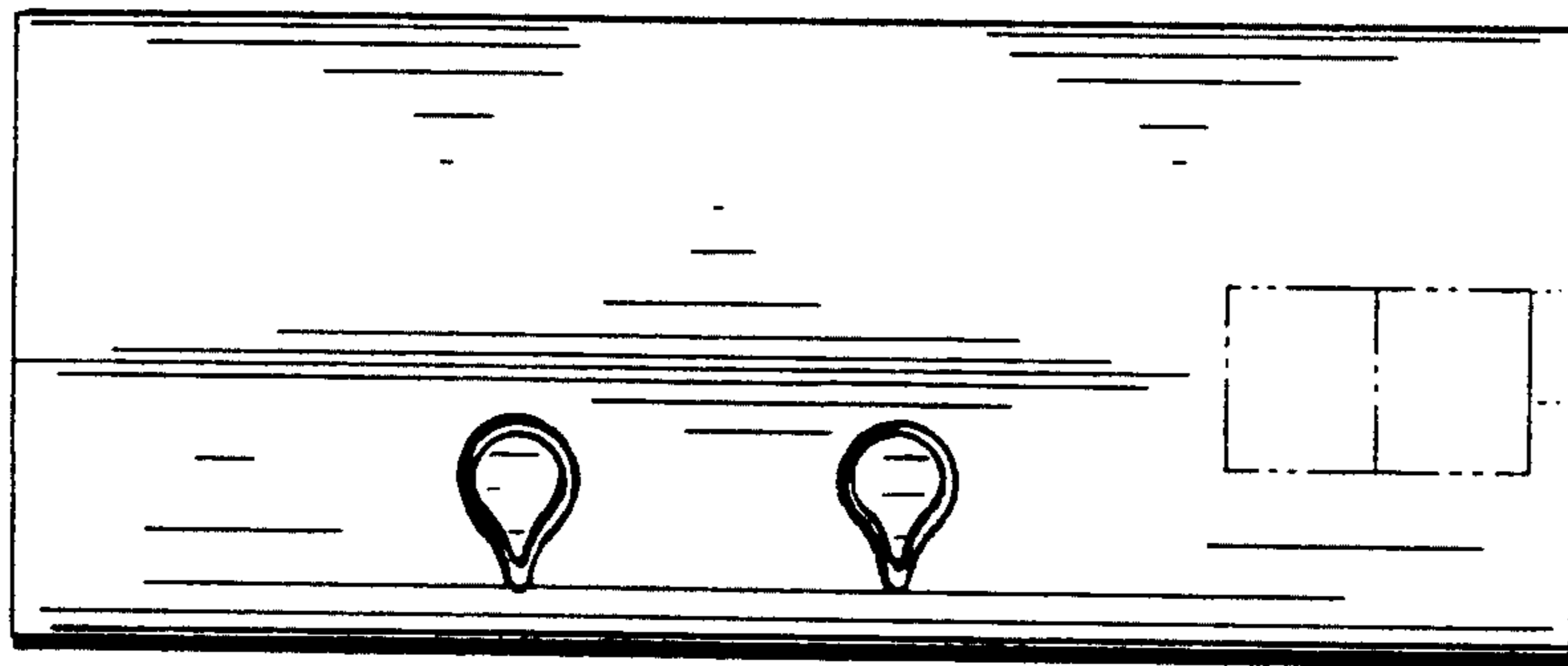
**FIG 5**



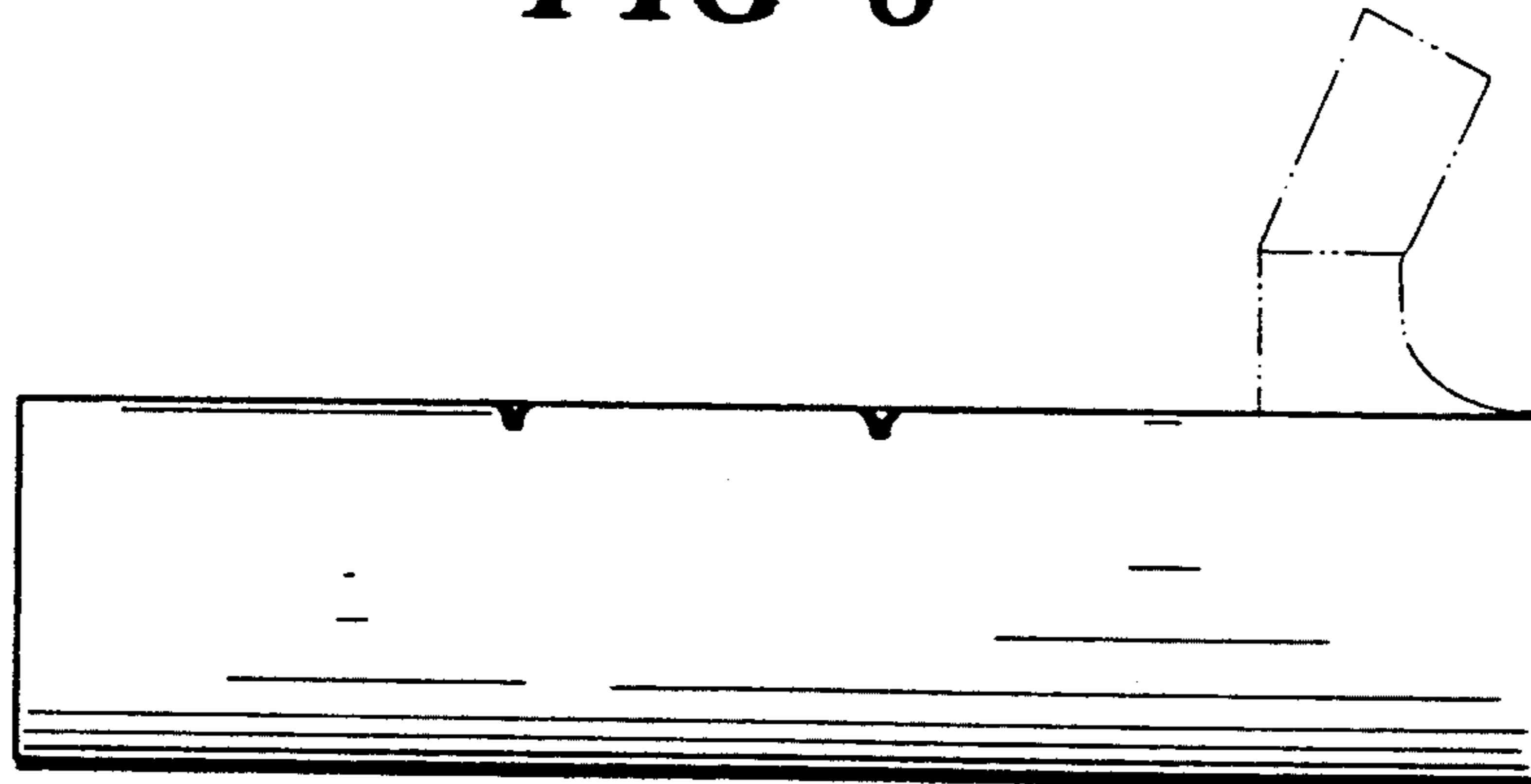
**FIG 6**



**FIG 7**



**FIG 8**



**FIG 9**