



US00D345178S

**United States Patent** [19]  
**Peterson**

[11] **Patent Number: Des. 345,178**

[45] **Date of Patent: \*\* Mar. 15, 1994**

[54] **ROLL-OVER SIMULATOR**

[76] **Inventor: Frank J. Peterson, 3000 S. Rooney Rd., Morrison, Colo. 80465**

[\*\*] **Term: 14 Years**

[21] **Appl. No.: 909,468**

[22] **Filed: Jul. 6, 1992**

[52] **U.S. Cl. .... D19/63; D12/102**

[58] **Field of Search ..... 434/29, 30, 32, 38, 434/43, 51, 55, 37; D19/59, 60, 62, 63; D12/101, 102**

[56] **References Cited**

**U.S. PATENT DOCUMENTS**

D. 195,029 4/1963 Hotkins et al. .... D19/634

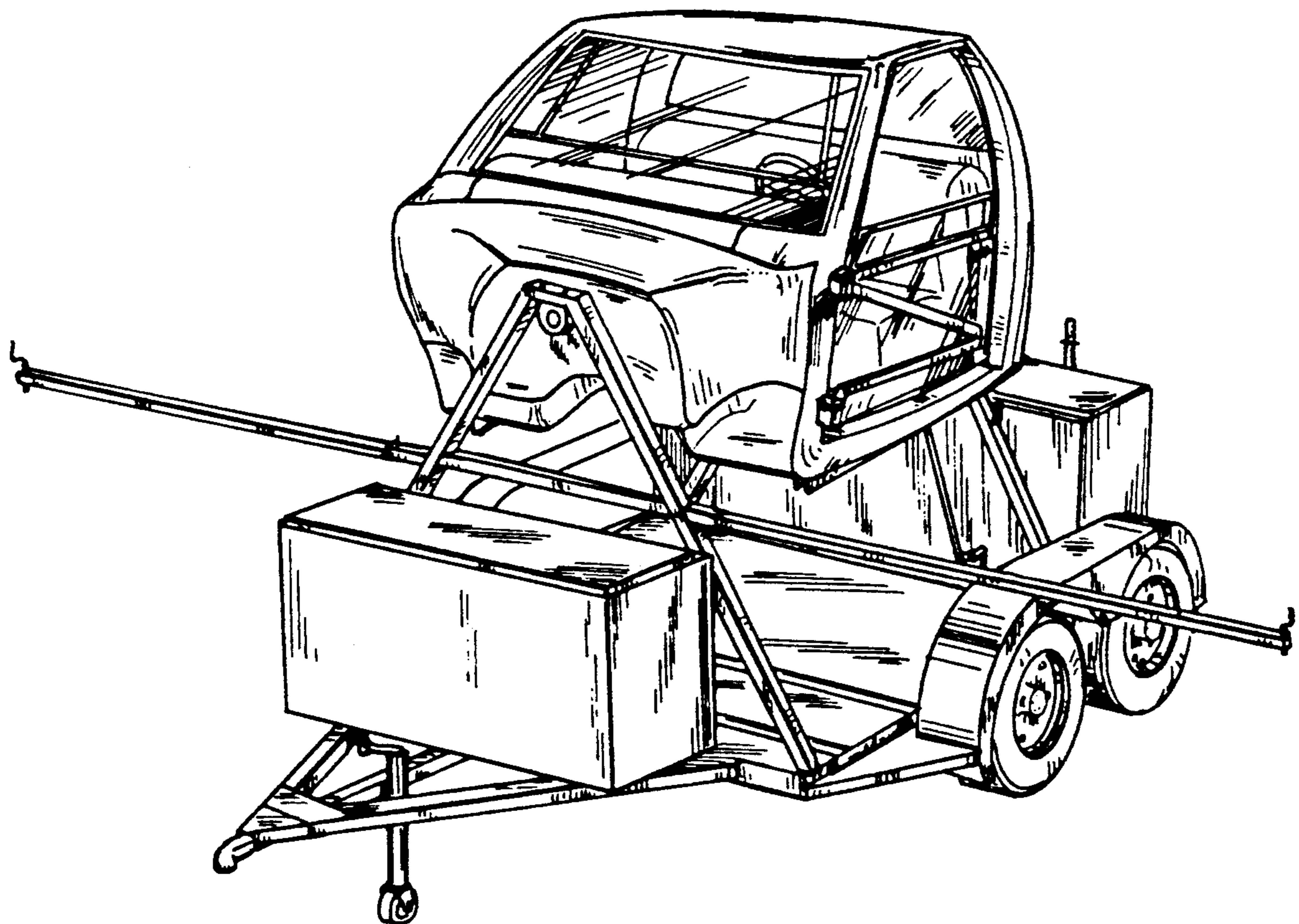
*Primary Examiner*—Wallace R. Burke  
*Assistant Examiner*—Pam Burgess  
*Attorney, Agent, or Firm*—Fields, Lewis, Pittenger & Rost

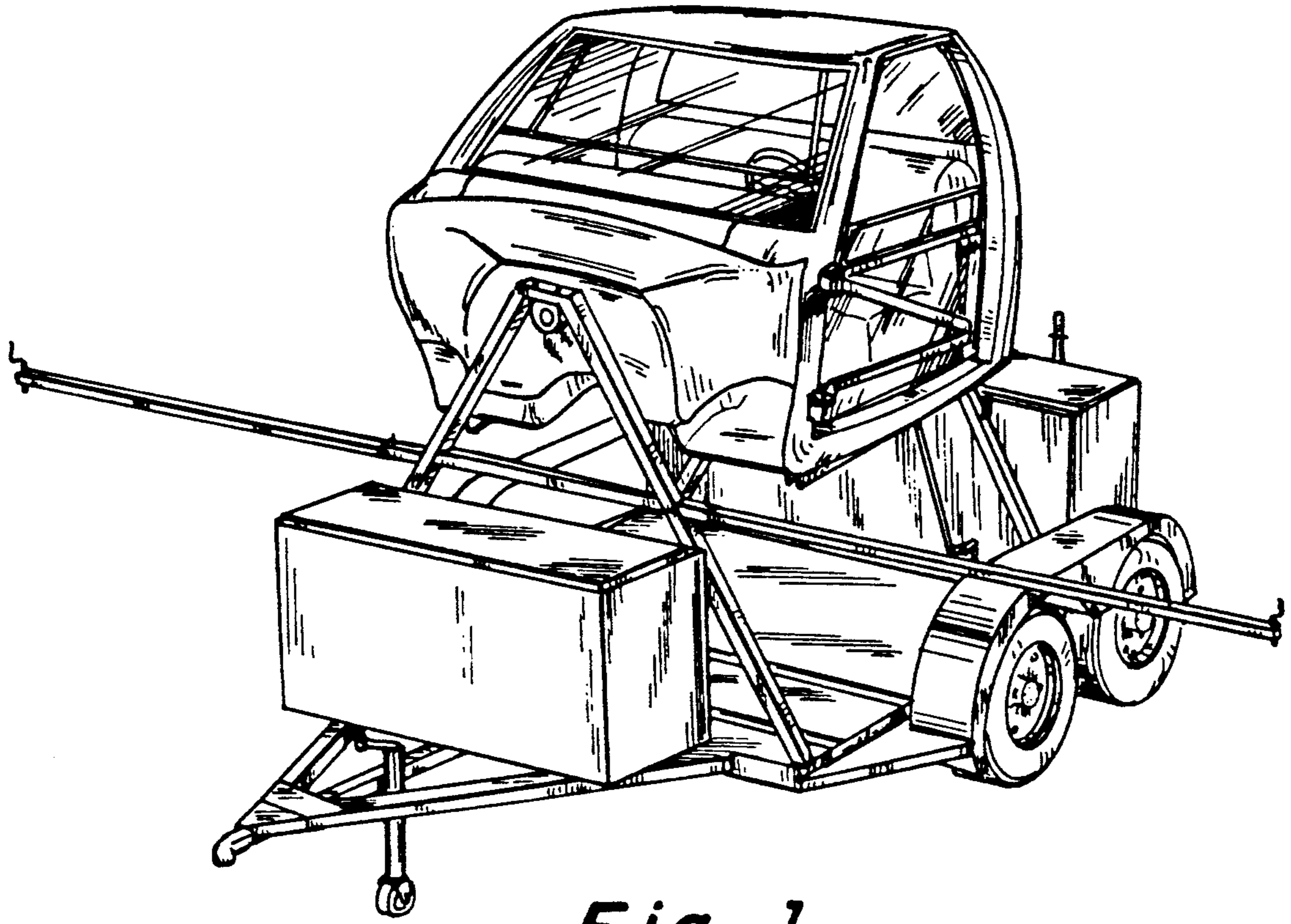
[57] **CLAIM**

The ornamental design for a roll-over simulator, as shown and described.

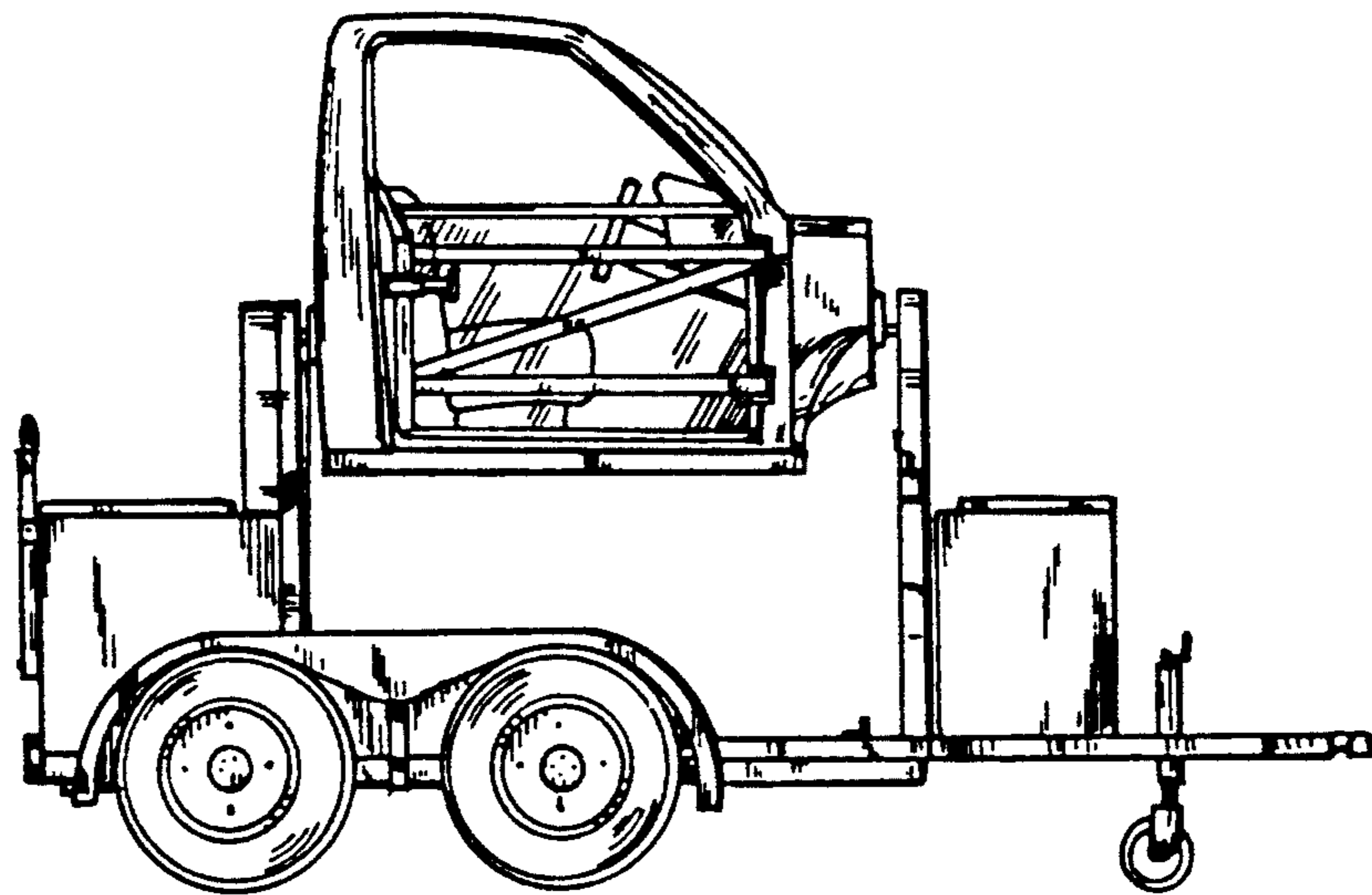
**DESCRIPTION**

FIG. 1 is a perspective view of a roll-over simulator; FIG. 2 is a right side elevation view thereof, the undisclosed side being a mirror image; FIG. 3 is a front elevation thereof; FIG. 4 is a rear elevational view; FIG. 5 is a top plan view; and, FIG. 6 is a bottom plan view.

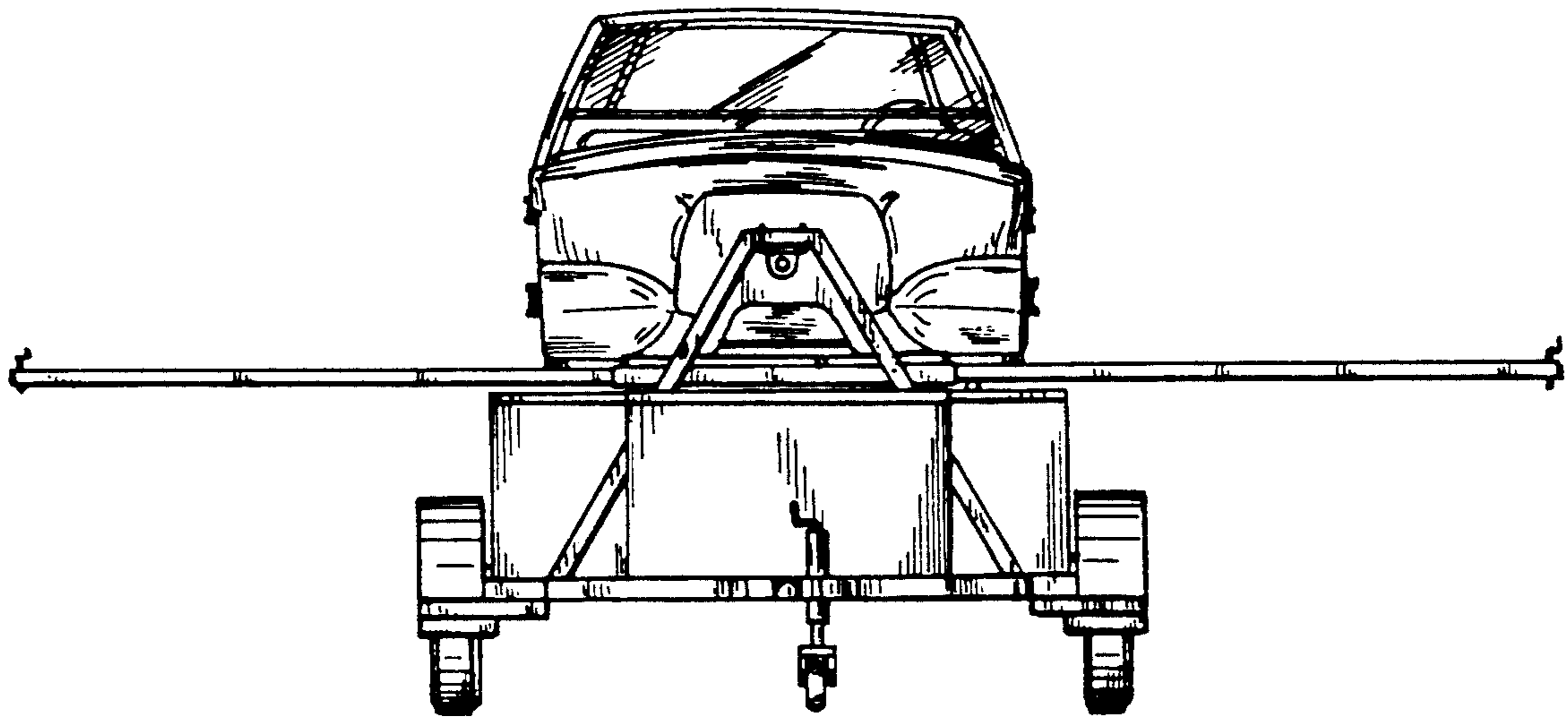




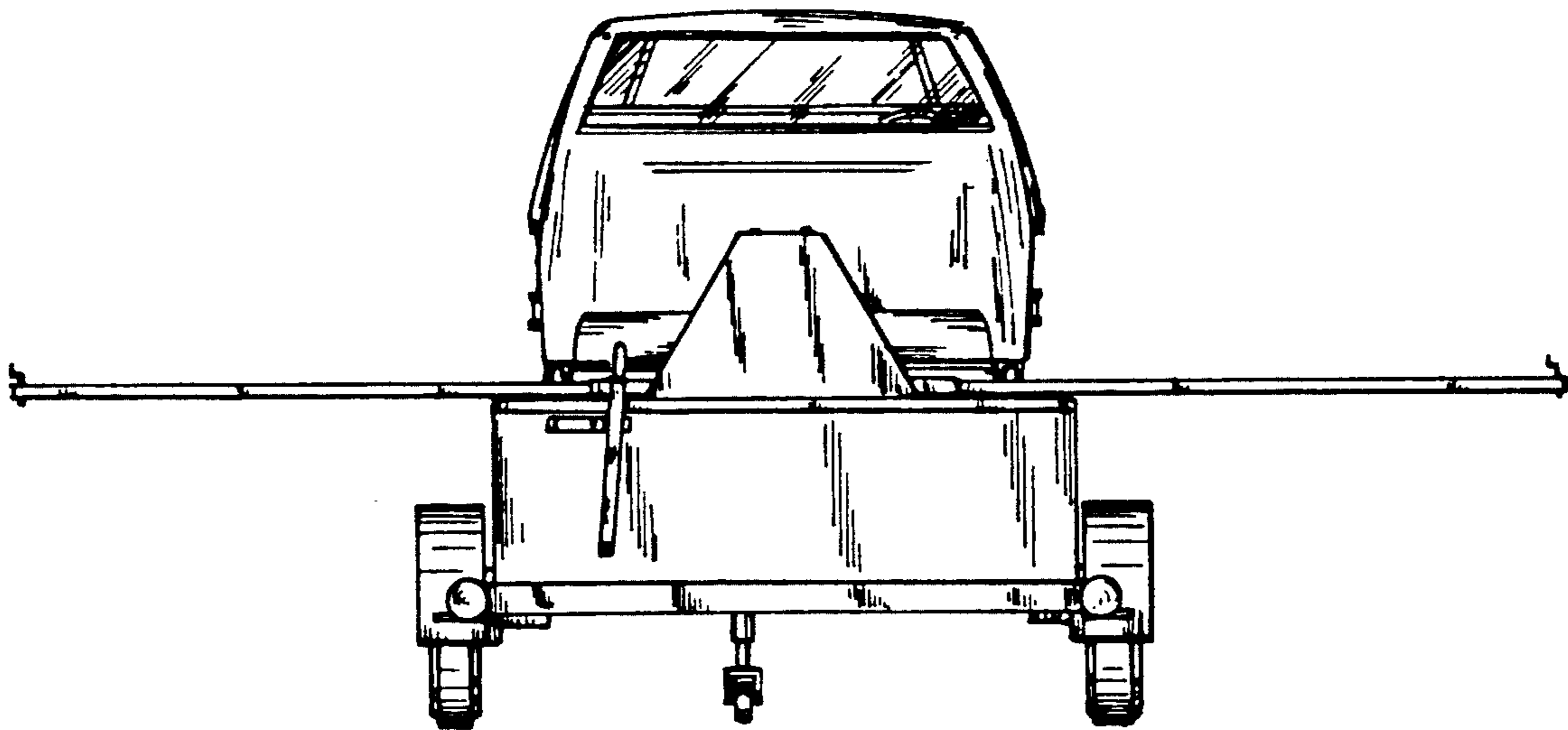
*Fig-1*



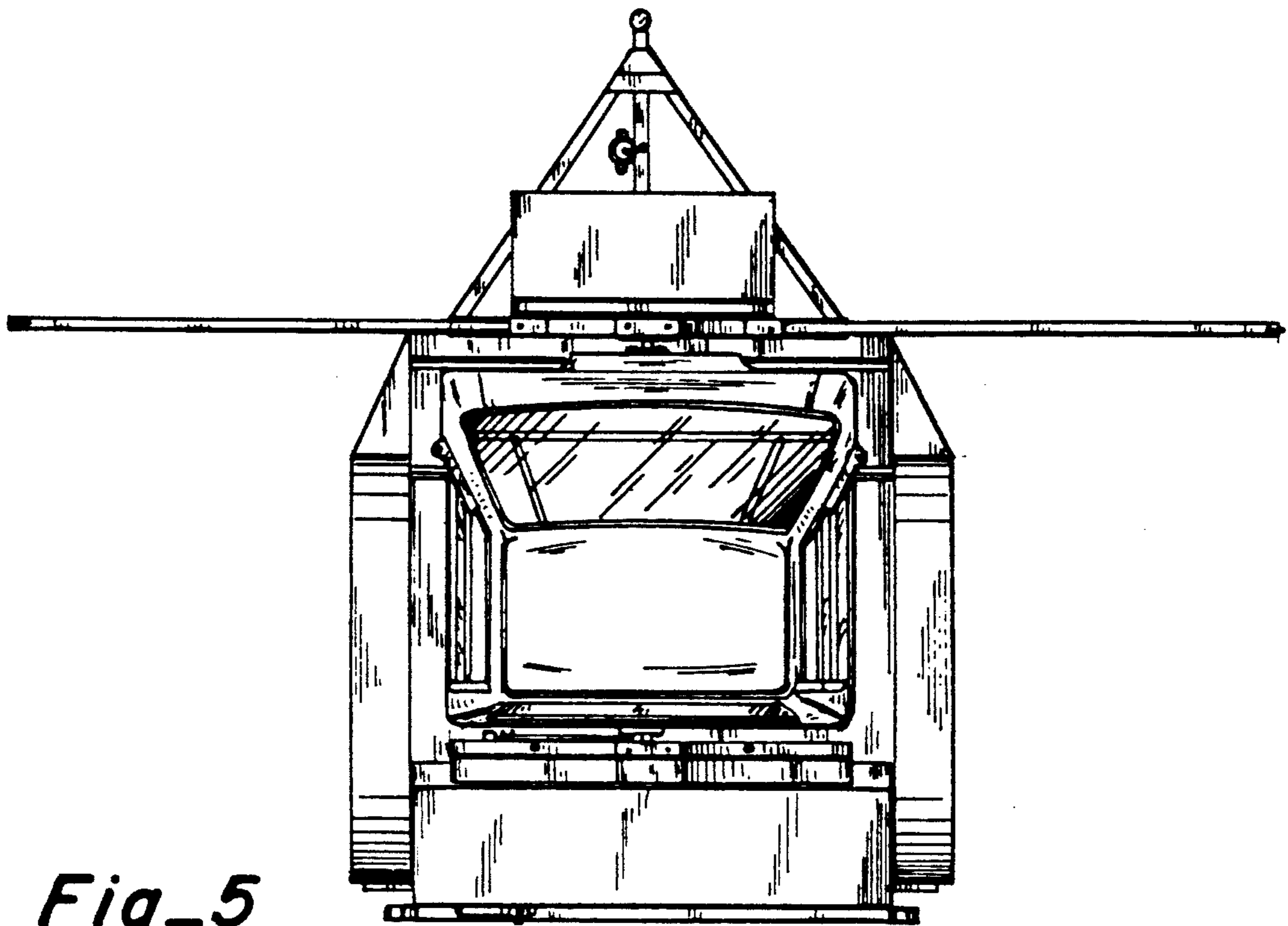
*Fig-2*



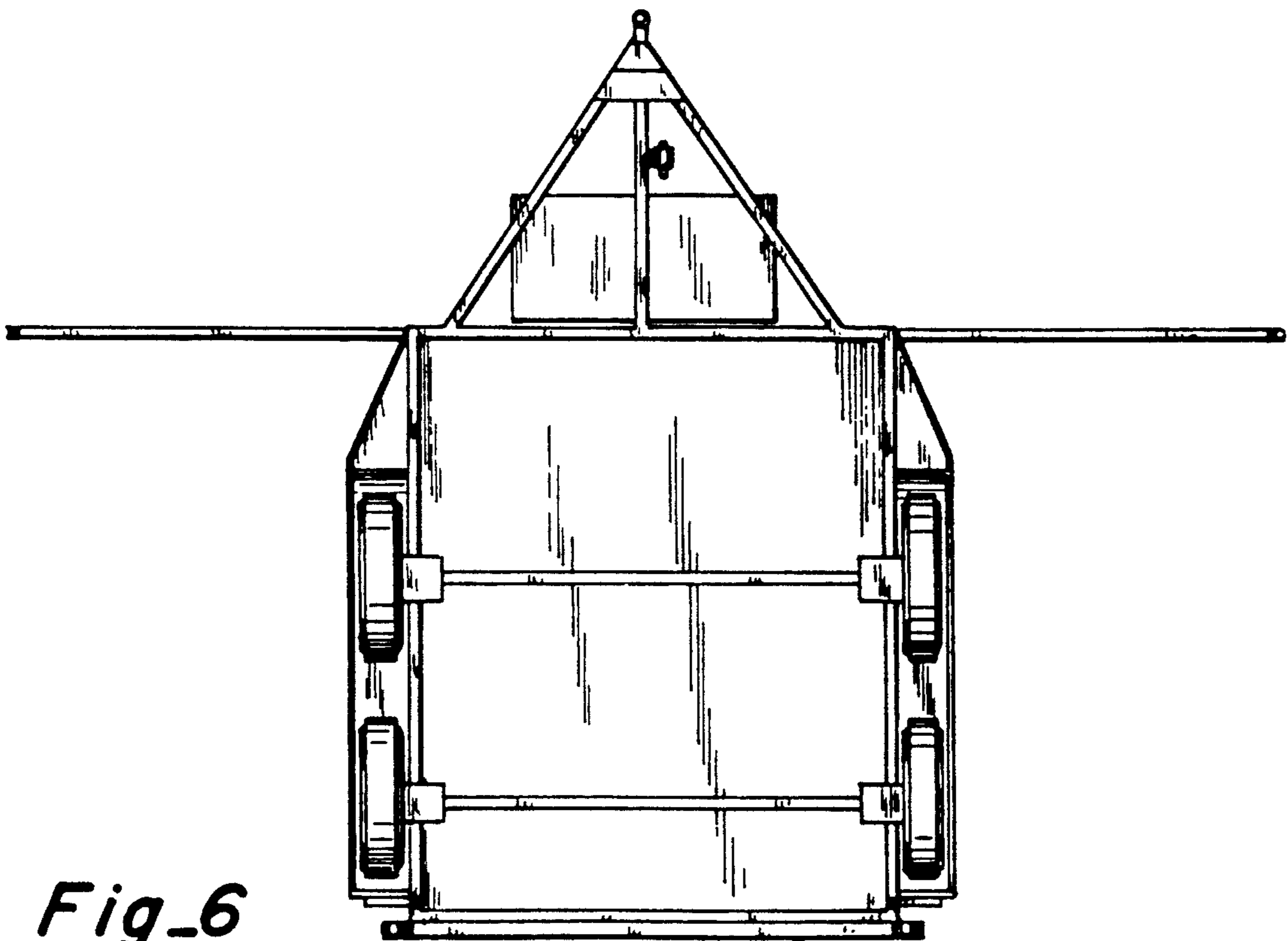
*Fig\_3*



*Fig\_4*



*Fig\_5*



*Fig\_6*