



US00D345171S

United States Patent [19]

Watanabe et al.

[11] Patent Number: **Des. 345,171**

[45] Date of Patent: **** Mar. 15, 1994**

[54] **BAND SAW**

[75] Inventors: **Satoru Watanabe; Masakazu Sakamoto**, both of Tokyo, Japan

[73] Assignee: **Ryobi Ltd.**, Hiroshima, Japan

[**] Term: **14 Years**

[21] Appl. No.: **931,526**

[22] Filed: **Aug. 19, 1992**

[30] Foreign Application Priority Data

Feb. 21, 1992 [JP]	Japan	4-4869
[52] U.S. Cl.		D15/134
[58] Field of Search	30/166.3, 38 D; 83/62.1, 788, 809-820;	D15/134

[56] References Cited

U.S. PATENT DOCUMENTS

D. 301,719	6/1989	Wodli	D15/134
D. 336,653	6/1993	Baird et al.	D15/134

FOREIGN PATENT DOCUMENTS

6242563	12/1984	Japan
6749922	4/1986	Japan
685902	8/1986	Japan

Primary Examiner—Alan P. Douglas
Assistant Examiner—Antoine O. Davis
Attorney, Agent, or Firm—Sughrue, Mion, Zinn, Macpeak & Seas

[57] CLAIM

The ornamental design for a band saw, as shown and described.

DESCRIPTION

FIG. 1 is a front elevational view of a band saw showing our new design;
FIG. 2 is a rear elevational view thereof;
FIG. 3 is a right side elevational view thereof;
FIG. 4 is a left side elevational view thereof;
FIG. 5 is a top plan view thereof;
FIG. 6 is a bottom plan view thereof; and,
FIG. 7 is a front and left side perspective view thereof, with the band saw blade in raised oblique position providing access to the workpiece support.

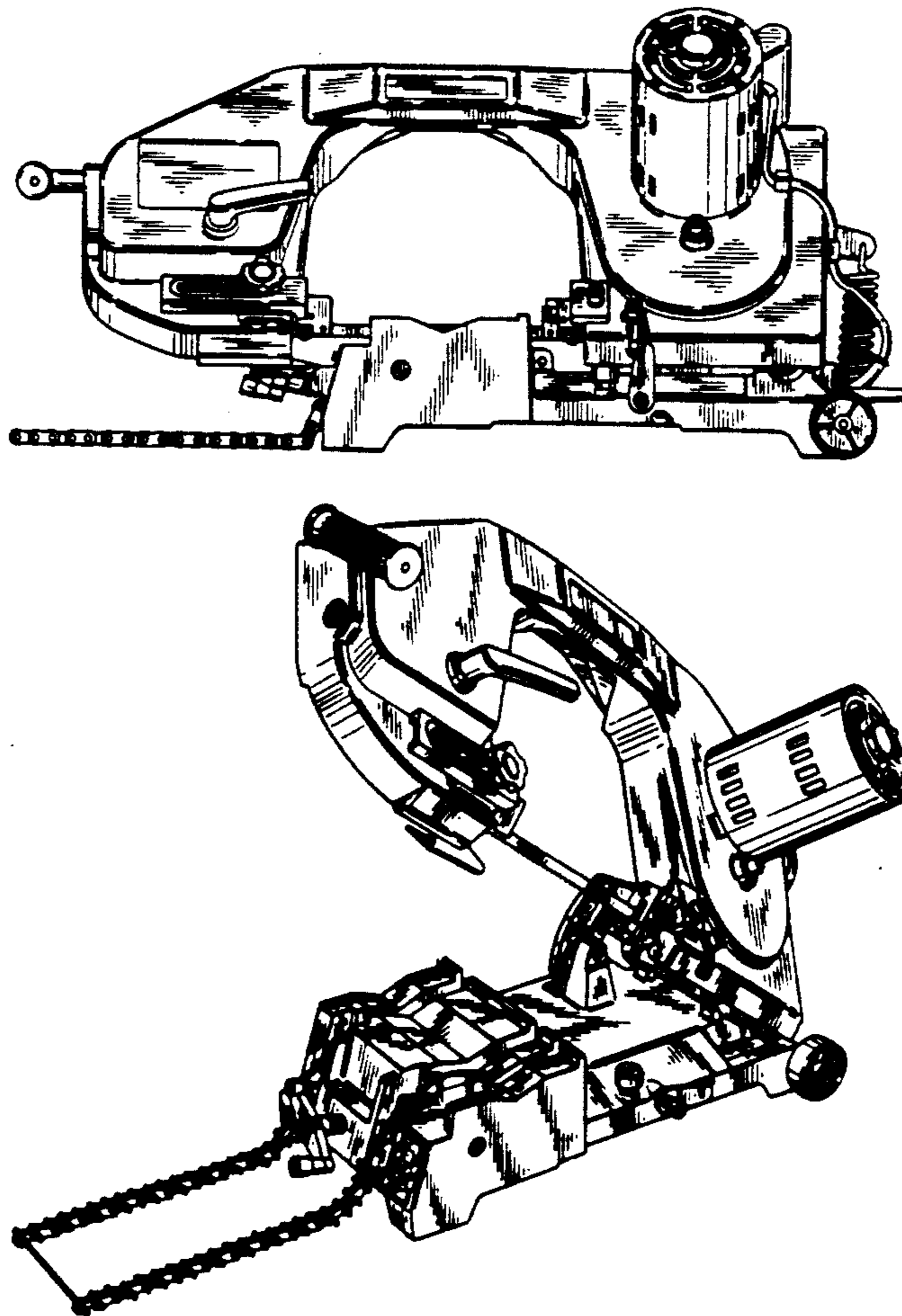


FIG. 1

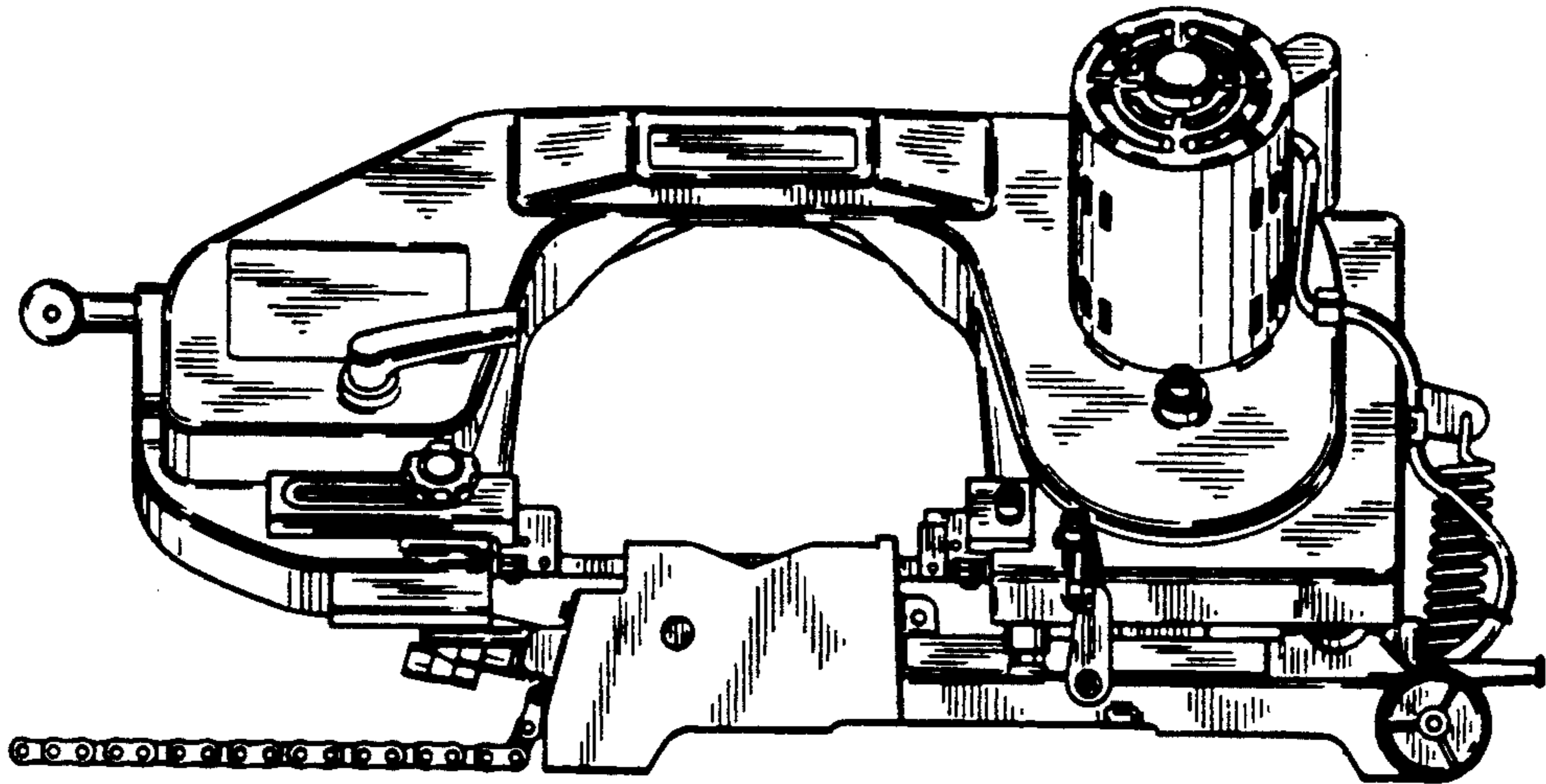


FIG. 2

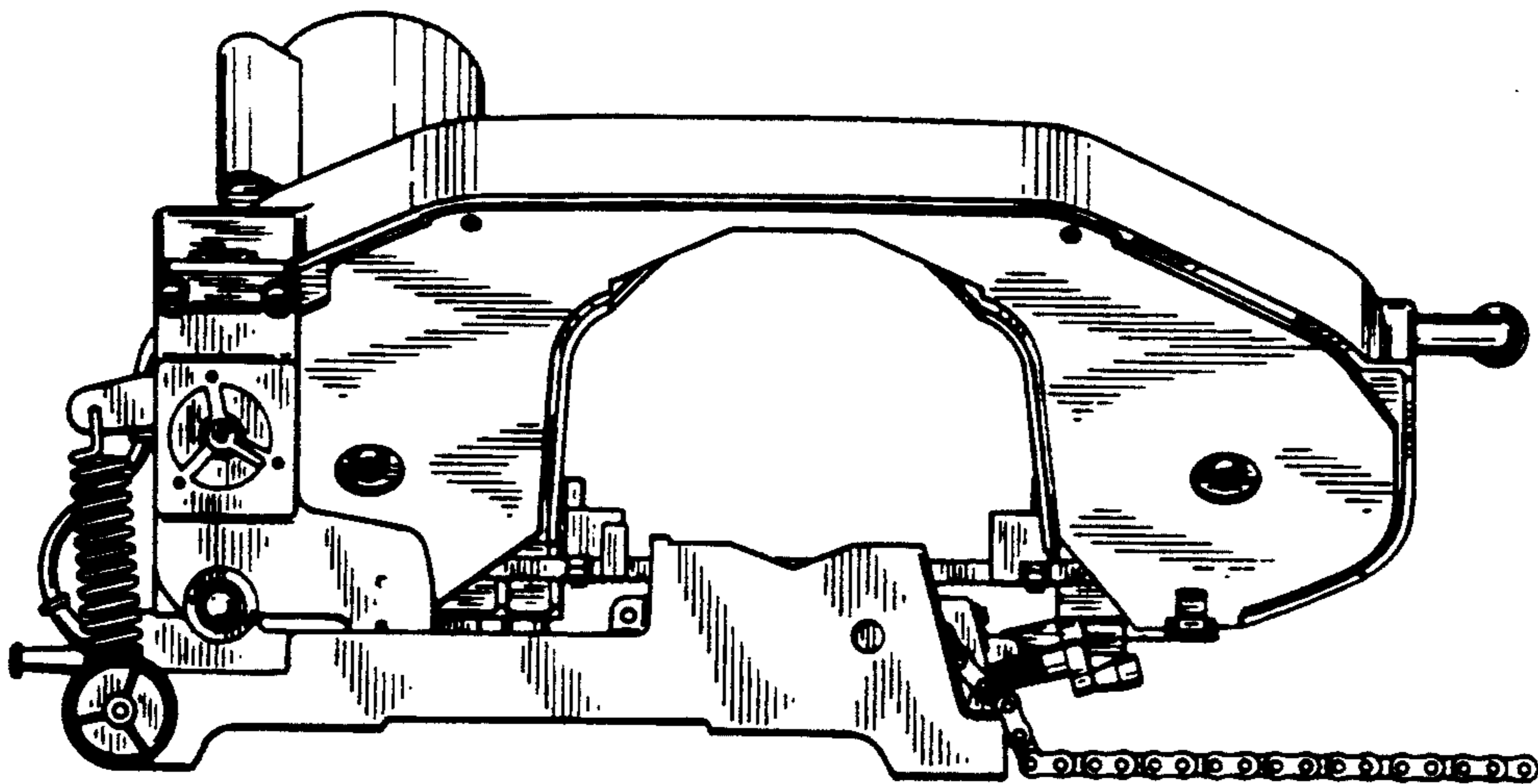


FIG. 3

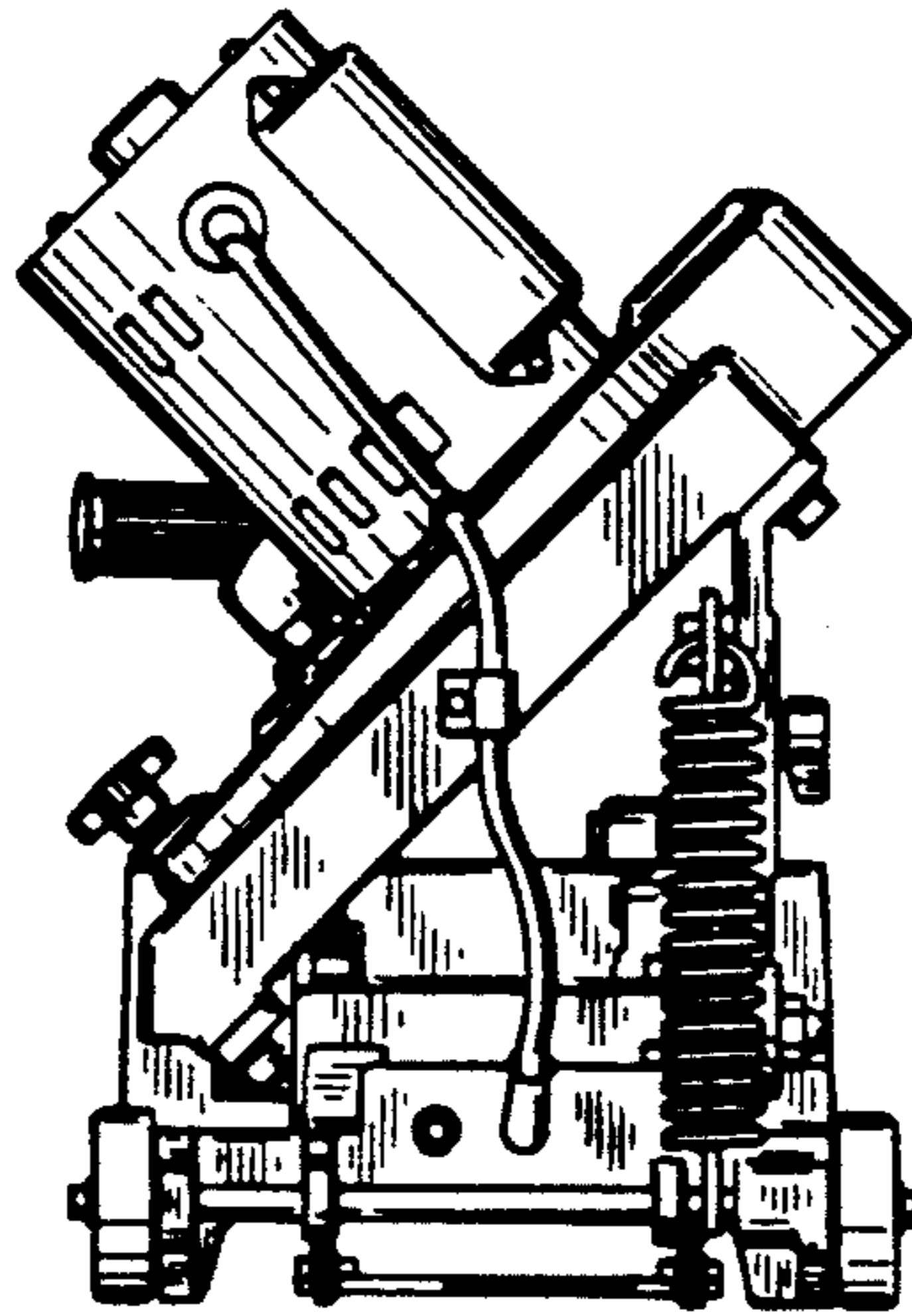


FIG. 4

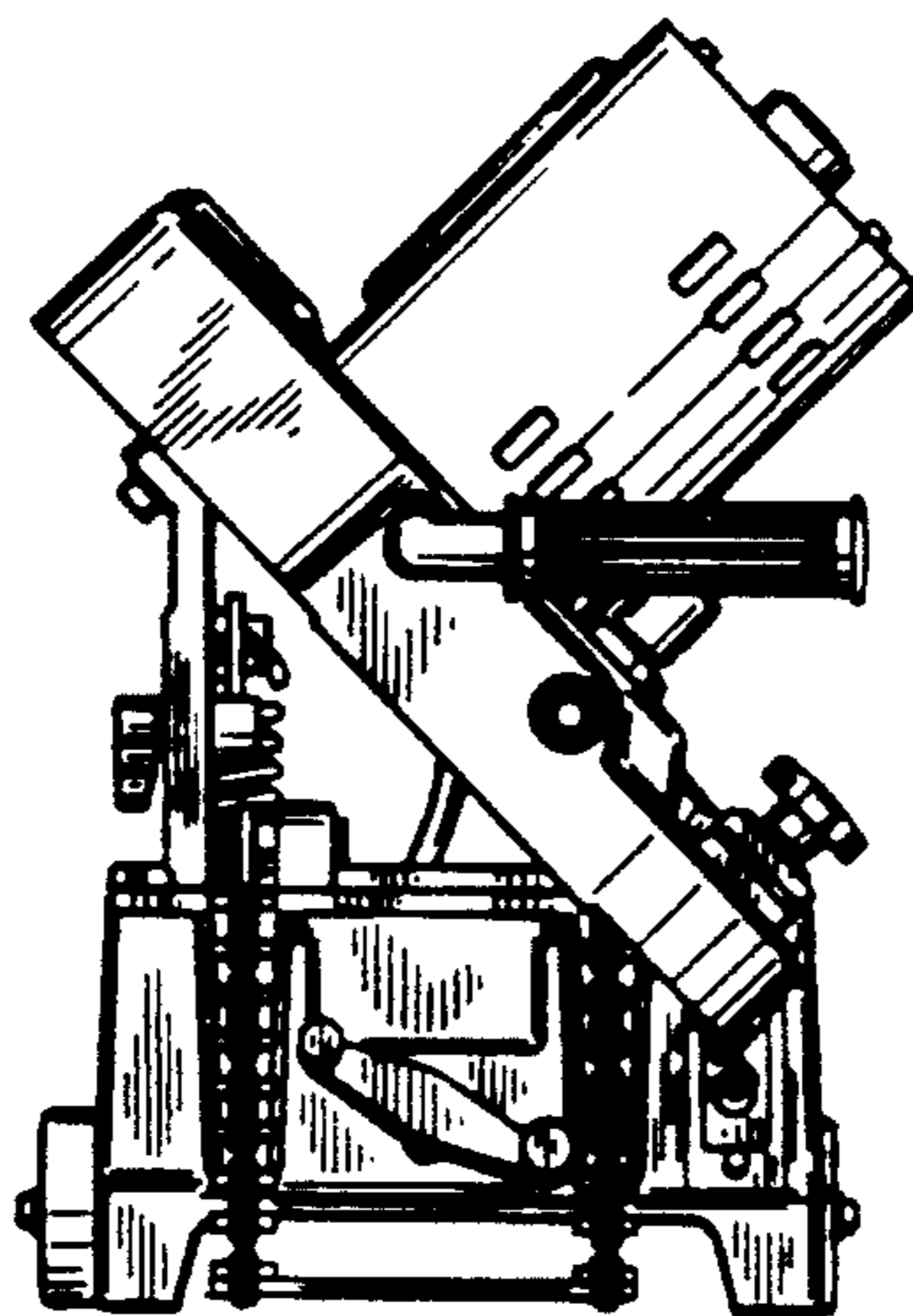


FIG. 5

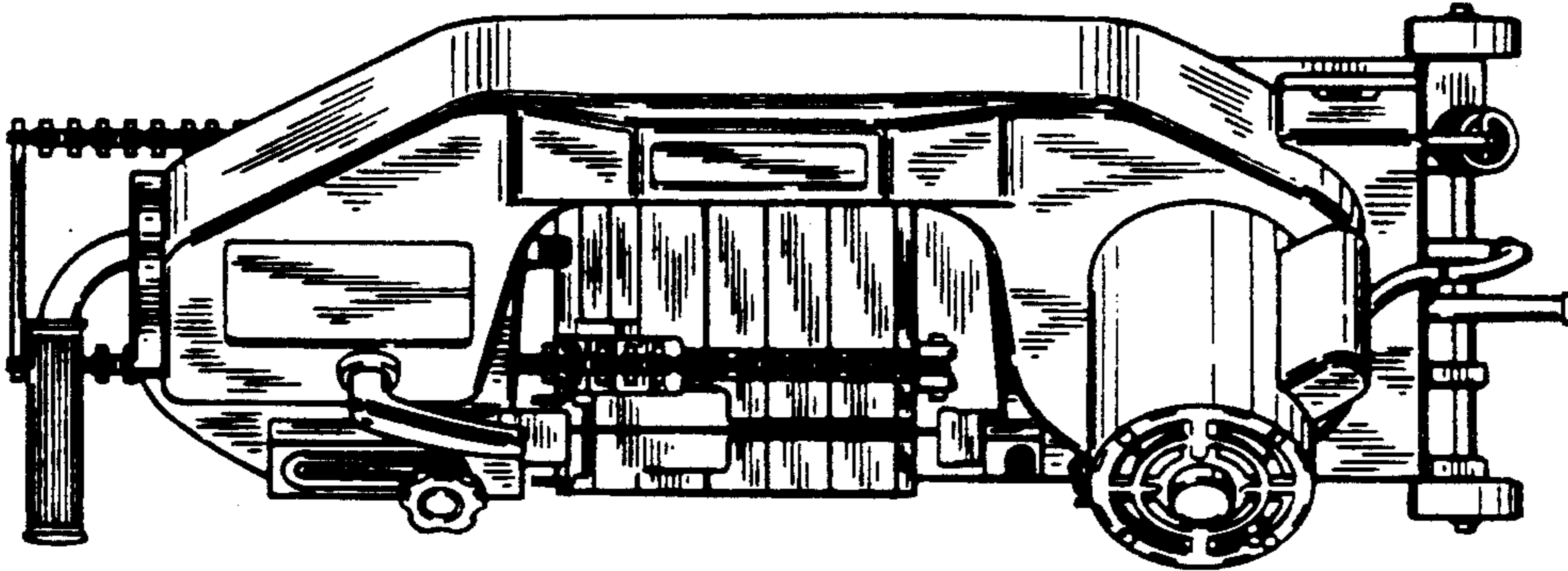


FIG. 6

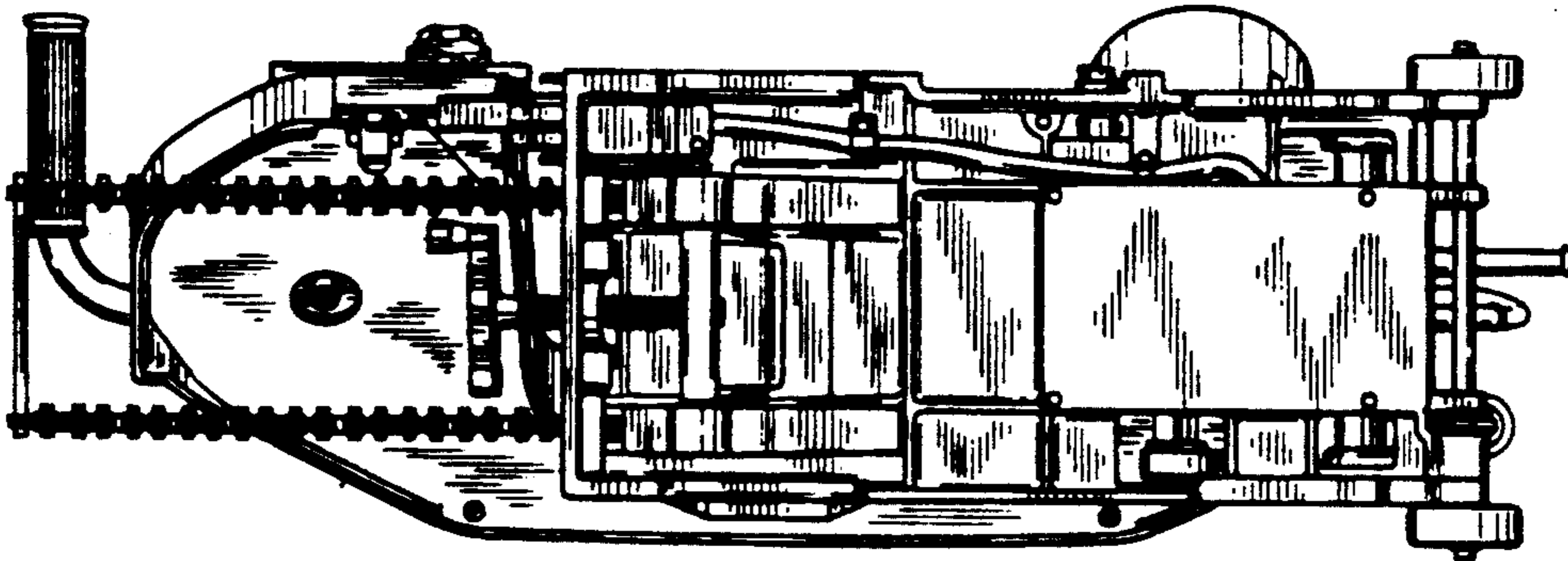


FIG. 7

