



US00D345170S

# United States Patent [19]

[11] Patent Number: **Des. 345,170**

**Baumbach et al.**

[45] Date of Patent: **\*\* Mar. 15, 1994**

[54] **BANDSAW**

[75] Inventors: **Robert W. Baumbach**, Los Angeles;  
**Lester B. Nizin**, Woodland Hills,  
both of Calif.

[73] Assignee: **Gryphon Corporation**, Burbank,  
Calif.

[\*\*] Term: **14 Years**

[21] Appl. No.: **911,134**

[22] Filed: **Jul. 9, 1992**

[52] U.S. Cl. .... **D15/134**

[58] Field of Search ..... 30/166.3; 83/62.1, 788,  
83/809-820; D15/134

[56] **References Cited**

**U.S. PATENT DOCUMENTS**

D. 295,629 5/1988 Emslic ..... D15/134

D. 300,934 5/1989 Archart ..... D15/134  
3,733,952 5/1973 Fukugami et al. .... 83/812 X  
4,356,750 11/1982 Legler et al. .... 83/818 X  
4,960,026 10/1990 Terpstra ..... 83/818

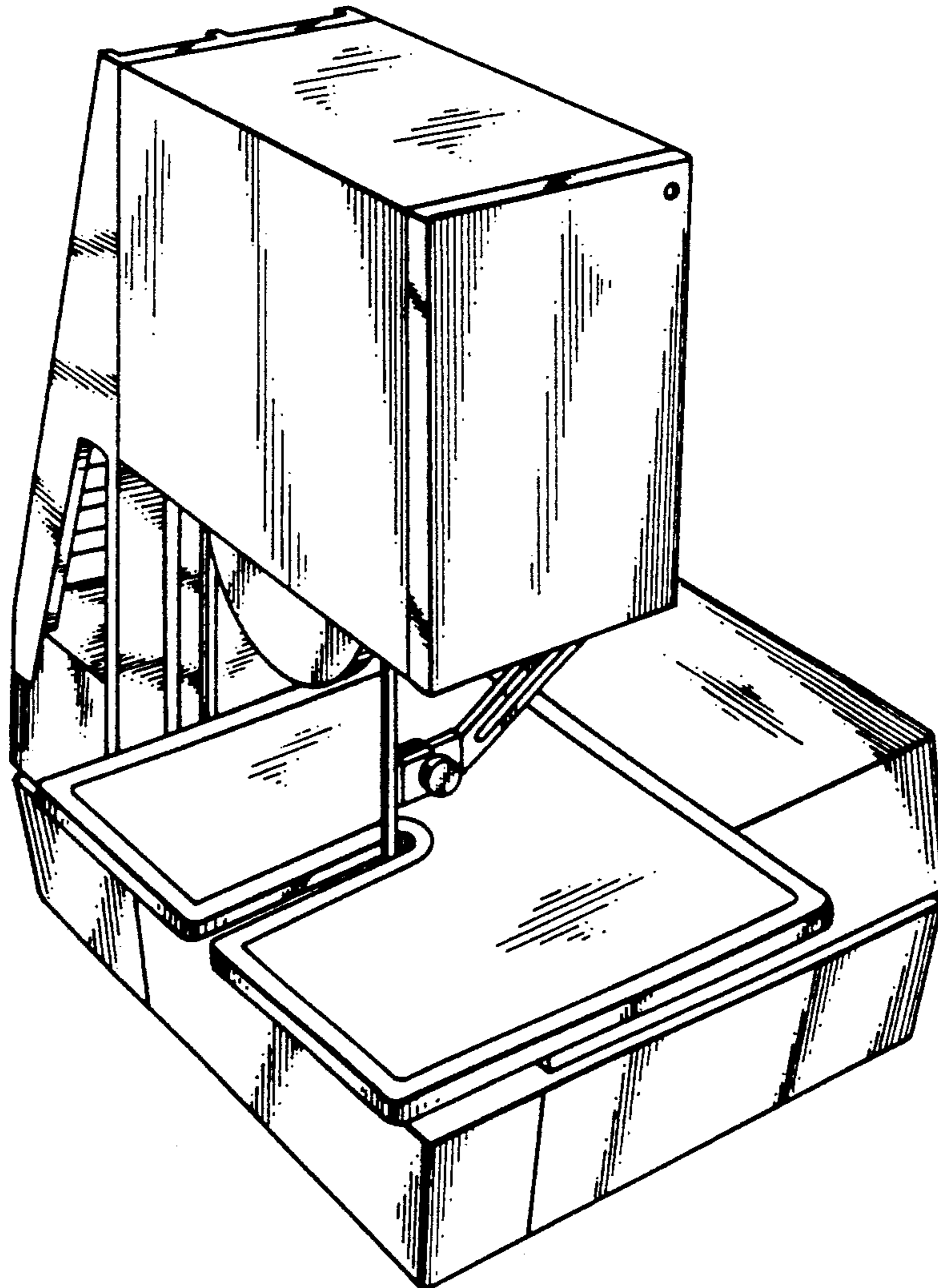
*Primary Examiner*—Alan P. Douglas  
*Assistant Examiner*—Antoine O. Davis  
*Attorney, Agent, or Firm*—Poms, Smith, Lande & Rose

[57] **CLAIM**

The ornamental bandsaw, as shown and described.

**DESCRIPTION**

FIG. 1 is a perspective view of my bandsaw;  
FIG. 2 is a left side view thereof;  
FIG. 3 is a front elevational view thereof;  
FIG. 4 is a right side view thereof;  
FIG. 5 is a top plan view thereof;  
FIG. 6 is a rear elevational view thereof; and,  
FIG. 7 is a bottom view thereof.



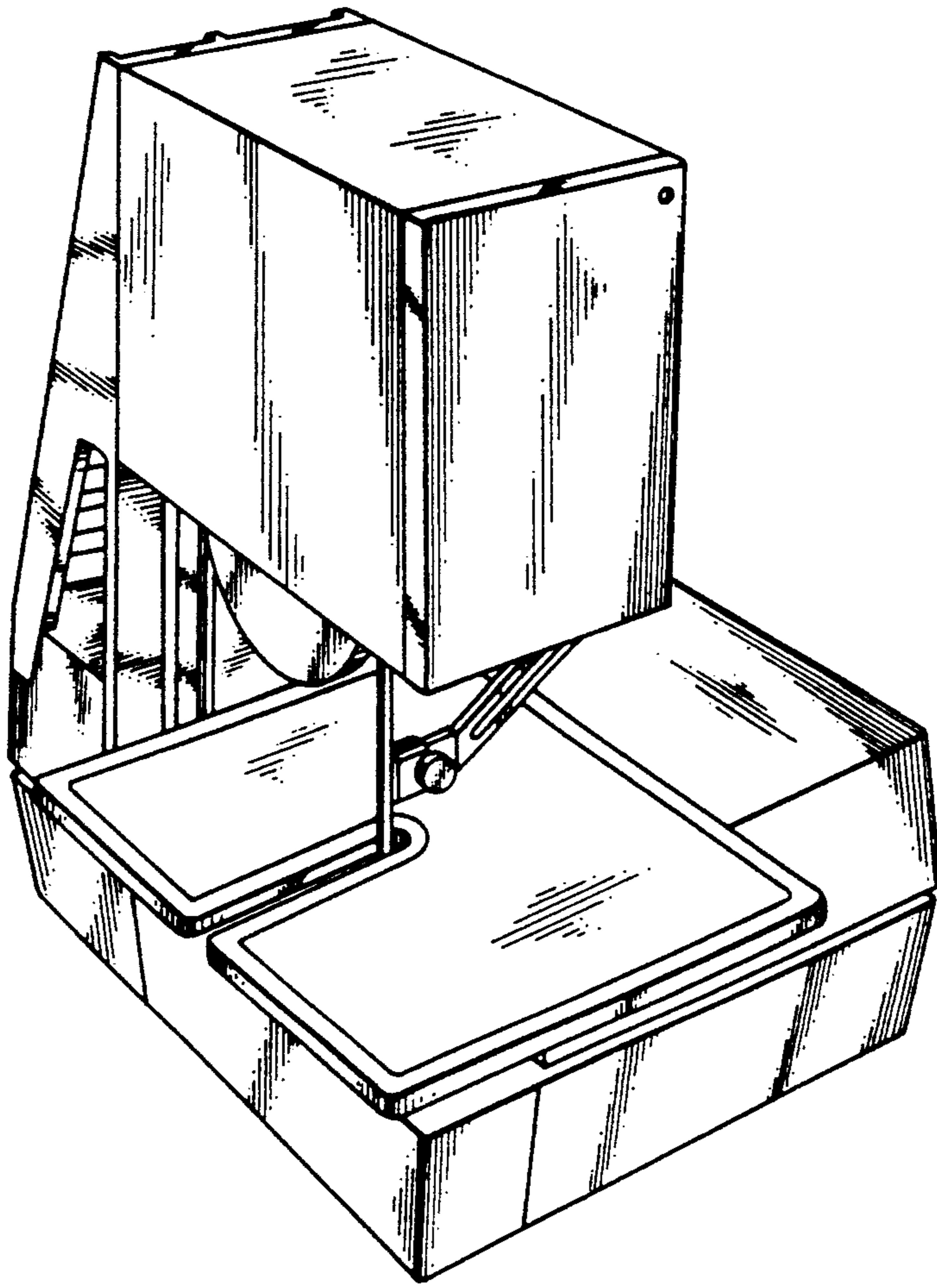


FIG. 1

FIG. 2

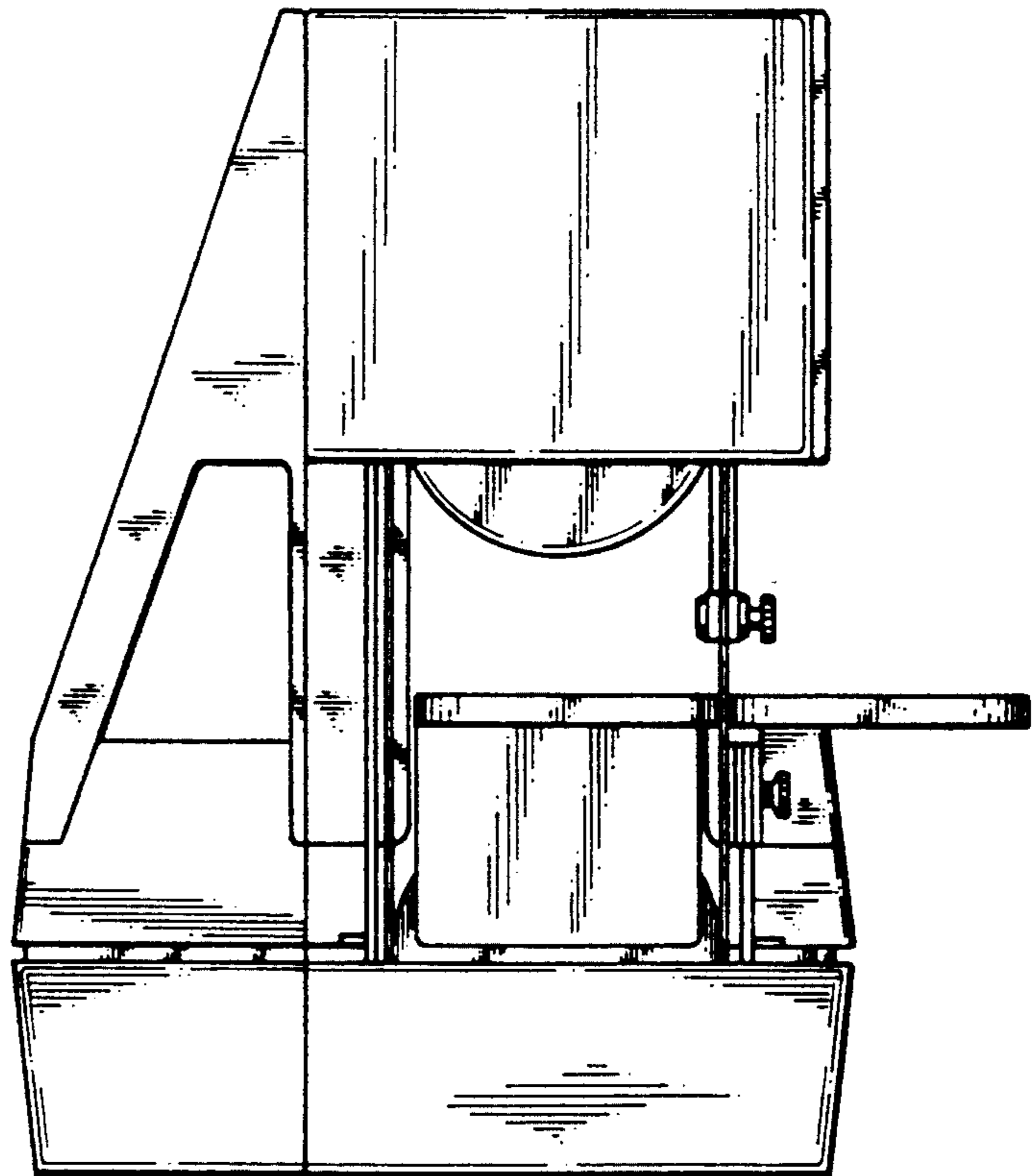


FIG. 3

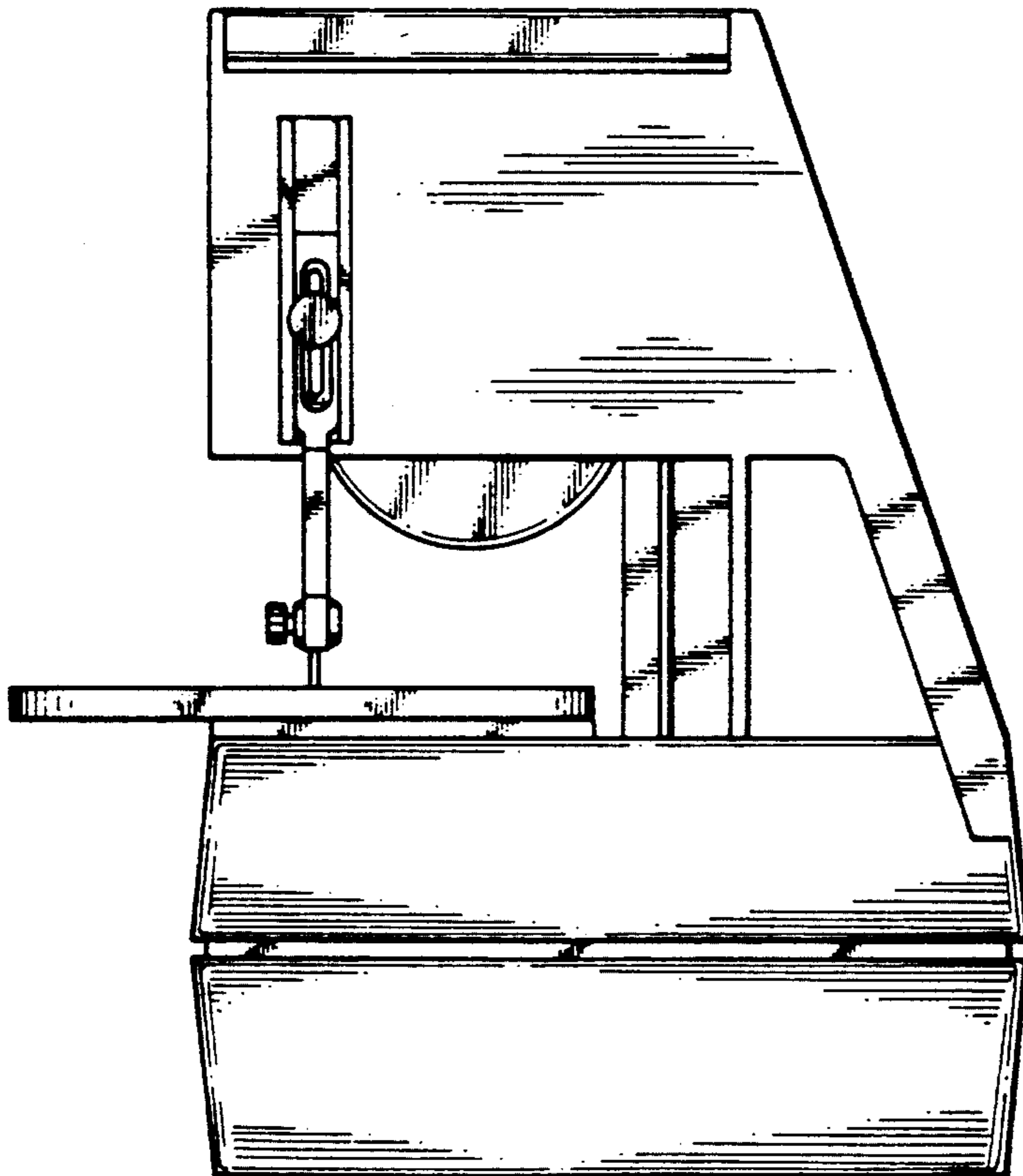
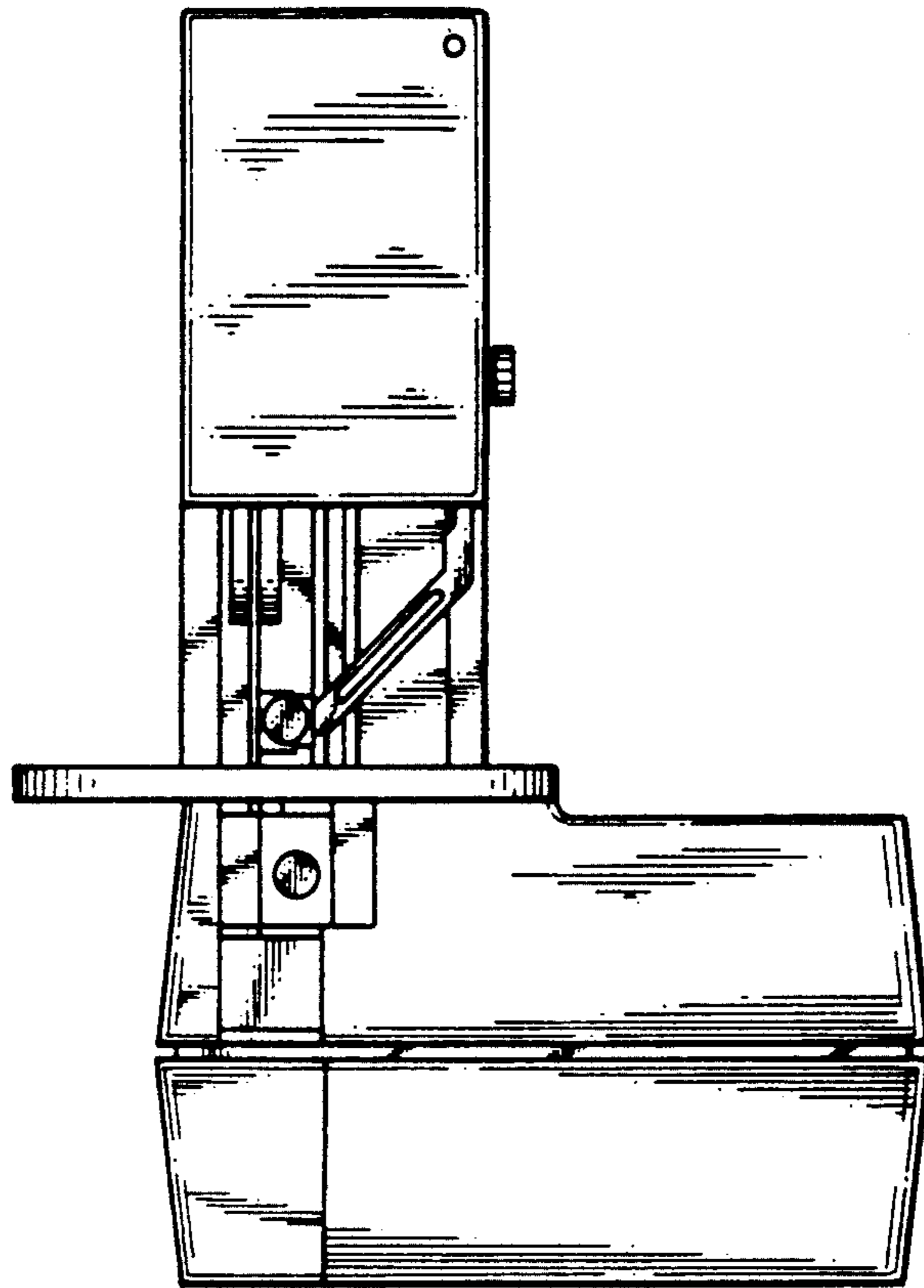


FIG. 4

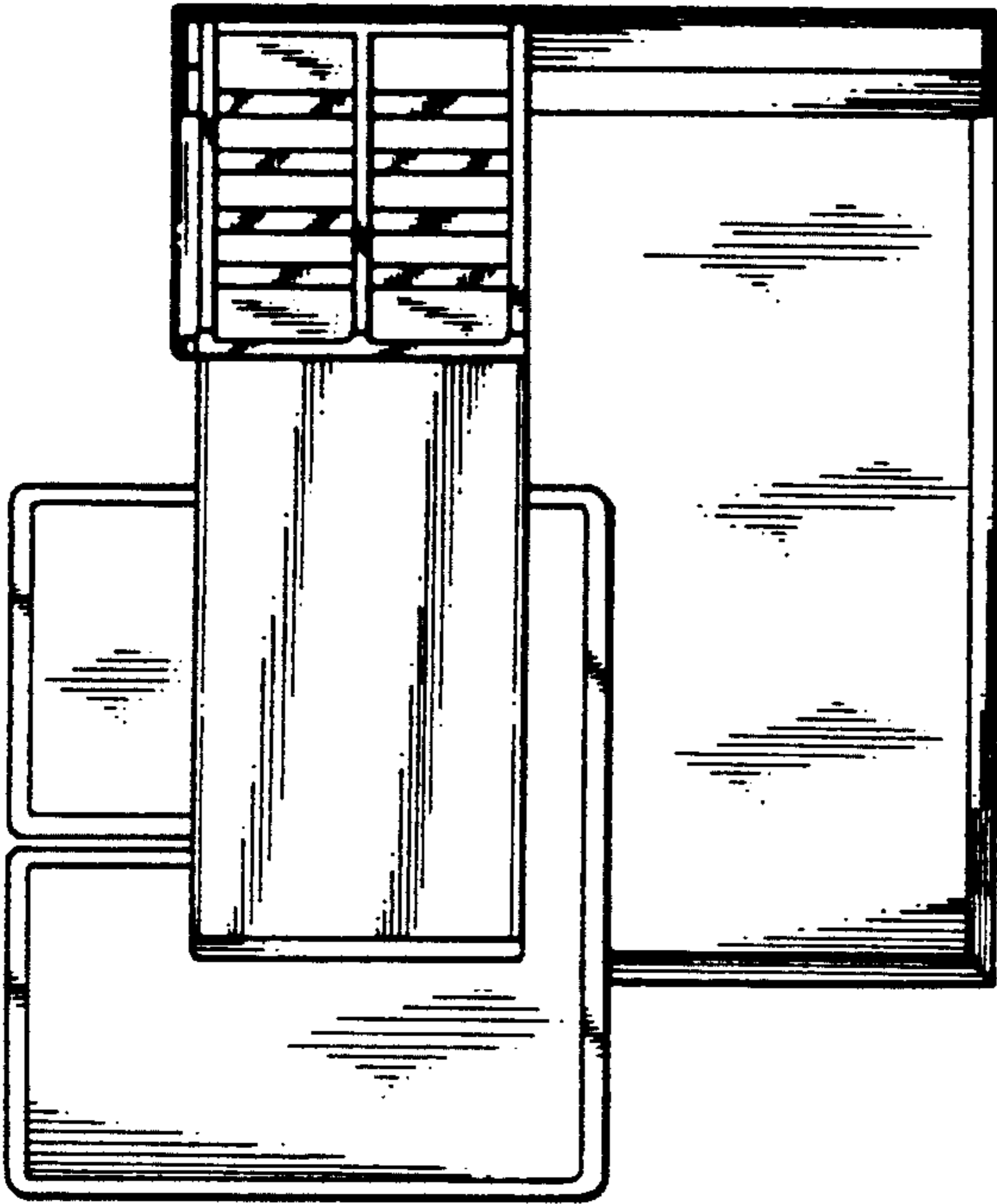


FIG. 5

FIG. 6

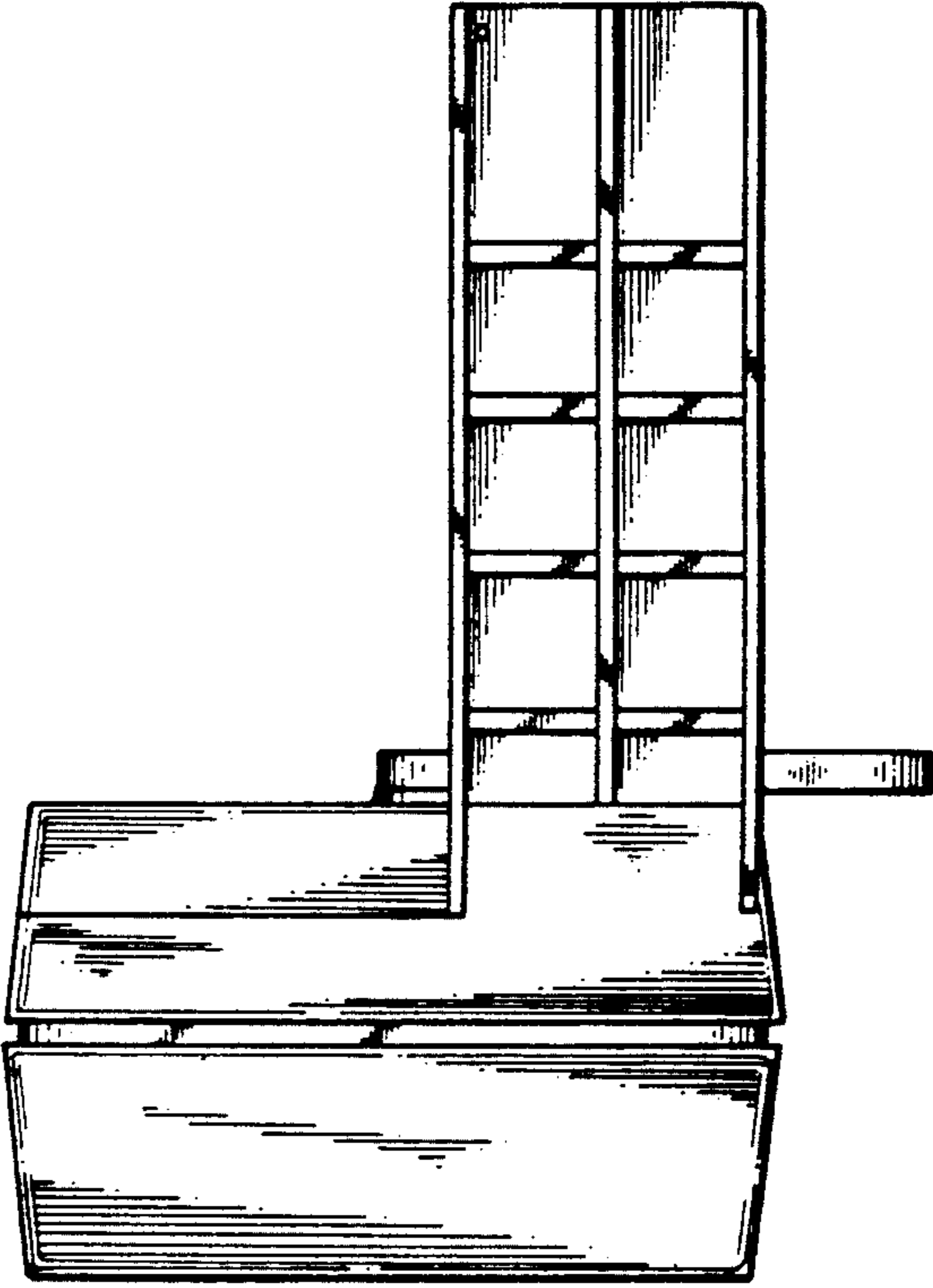


FIG. 7

