



US00D345169S

United States Patent [19]

Swain, Jr.

[11] Patent Number: **Des. 345,169**

[45] Date of Patent: **** Mar. 15, 1994**

[54] **WOOD SPLITTER FOR USE WITH A BACKHOE**

[76] Inventor: **H. G. Swain, Jr., 7860 Misty Mountain Rd., Germantown, N.C. 27019**

[**] Term: **14 Years**

[21] Appl. No.: **839,235**

[22] Filed: **Feb. 21, 1992**

[52] U.S. Cl. **D15/28**

[58] Field of Search **144/193 R, 193 A; D15/10, 11, 21, 28, 127**

4,444,231	4/1984	Dillon	144/193 A
4,561,479	12/1985	Burdine	144/193 R
4,700,759	10/1987	Duerr	144/193 A
4,782,868	11/1988	Coller	144/193
4,782,870	11/1988	Duerr	144/193 R
4,800,937	1/1989	Mangus	144/193
4,898,220	2/1990	Maingueneau	144/193
4,905,746	3/1990	Bedard	144/193 R

Primary Examiner—Bernard Ansher
Assistant Examiner—Sandra Morris
Attorney, Agent, or Firm—Terry M. Gernstein

[57] CLAIM

The ornamental design for a wood splitter for use with a backhoe, as shown and described.

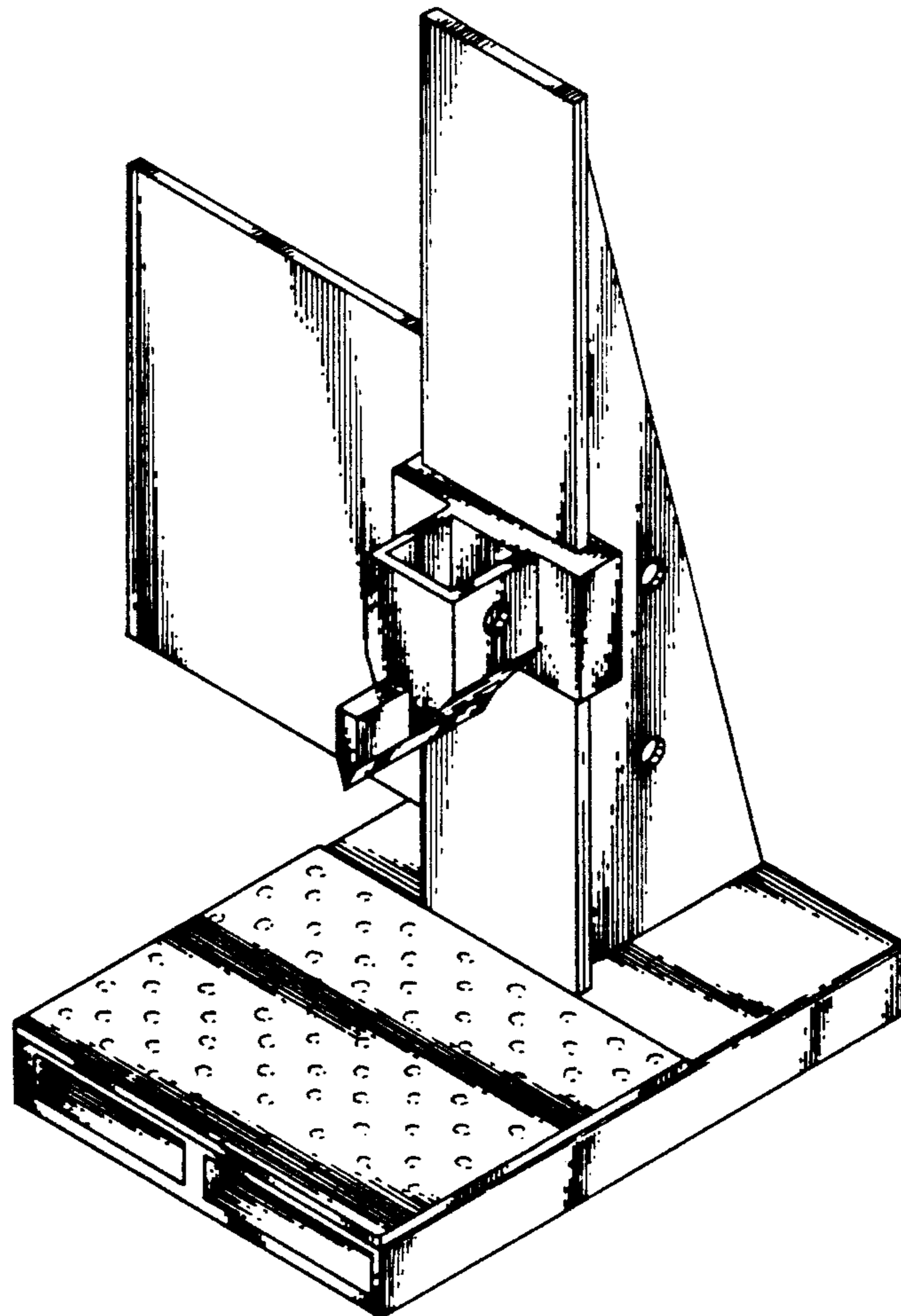
DESCRIPTION

FIG. 1 is a perspective view of the wood splitter for use with a backhoe embodying the design of the present invention;
FIG. 2 is a front elevational view thereof;
FIG. 3 is a rear elevational view thereof;
FIG. 4 is a left side elevational view thereof;
FIG. 5 is a right side elevational view thereof;
FIG. 6 is a top plan view thereof; and,
FIG. 7 is a bottom view thereof.

[56] References Cited

U.S. PATENT DOCUMENTS

D. 253,654	12/1979	Davis	D15/127
D. 326,665	6/1992	Greenburg et al.	D15/127
D. 334,755	4/1993	Malanke et al.	D15/127
4,033,390	7/1977	Piontkowski	144/193 R
4,111,246	9/1978	La Pointe	144/193 A
4,211,264	7/1980	Cross	144/193 R
4,261,400	4/1981	Spence	144/193 R
4,274,458	6/1981	Dueweke et al.	144/193 R
4,275,779	6/1981	Rowe	144/193 A



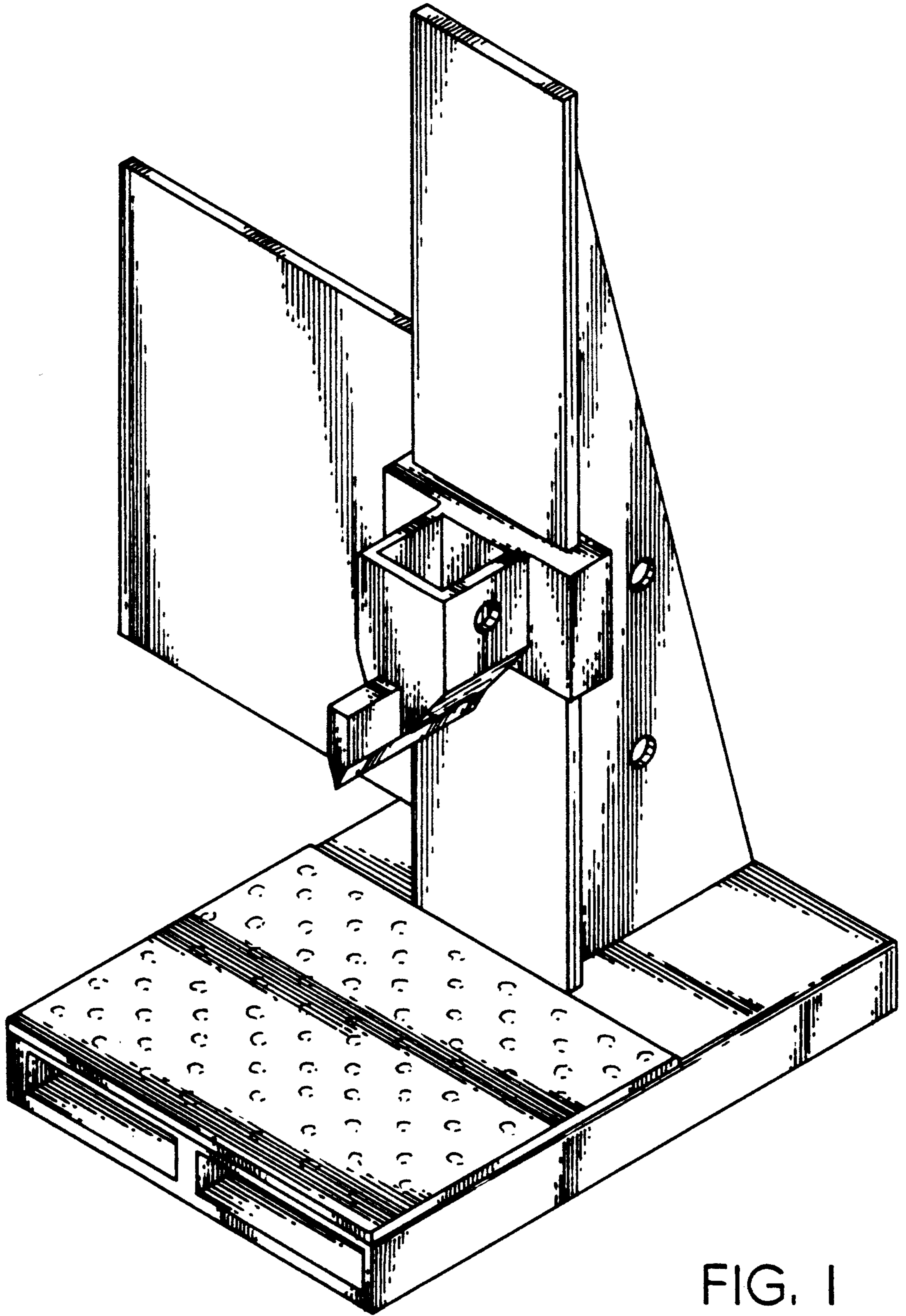


FIG. 1

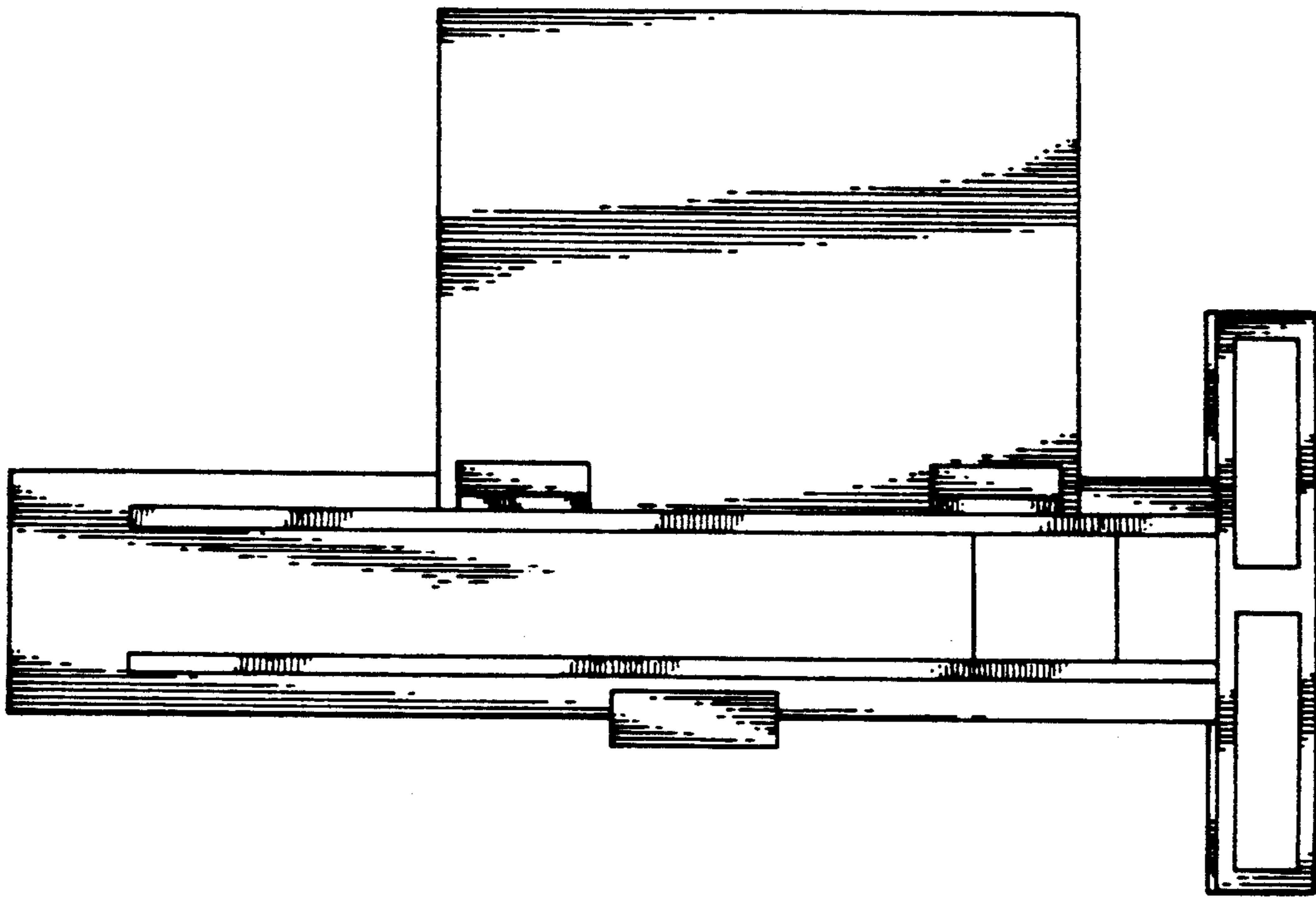


FIG. 3

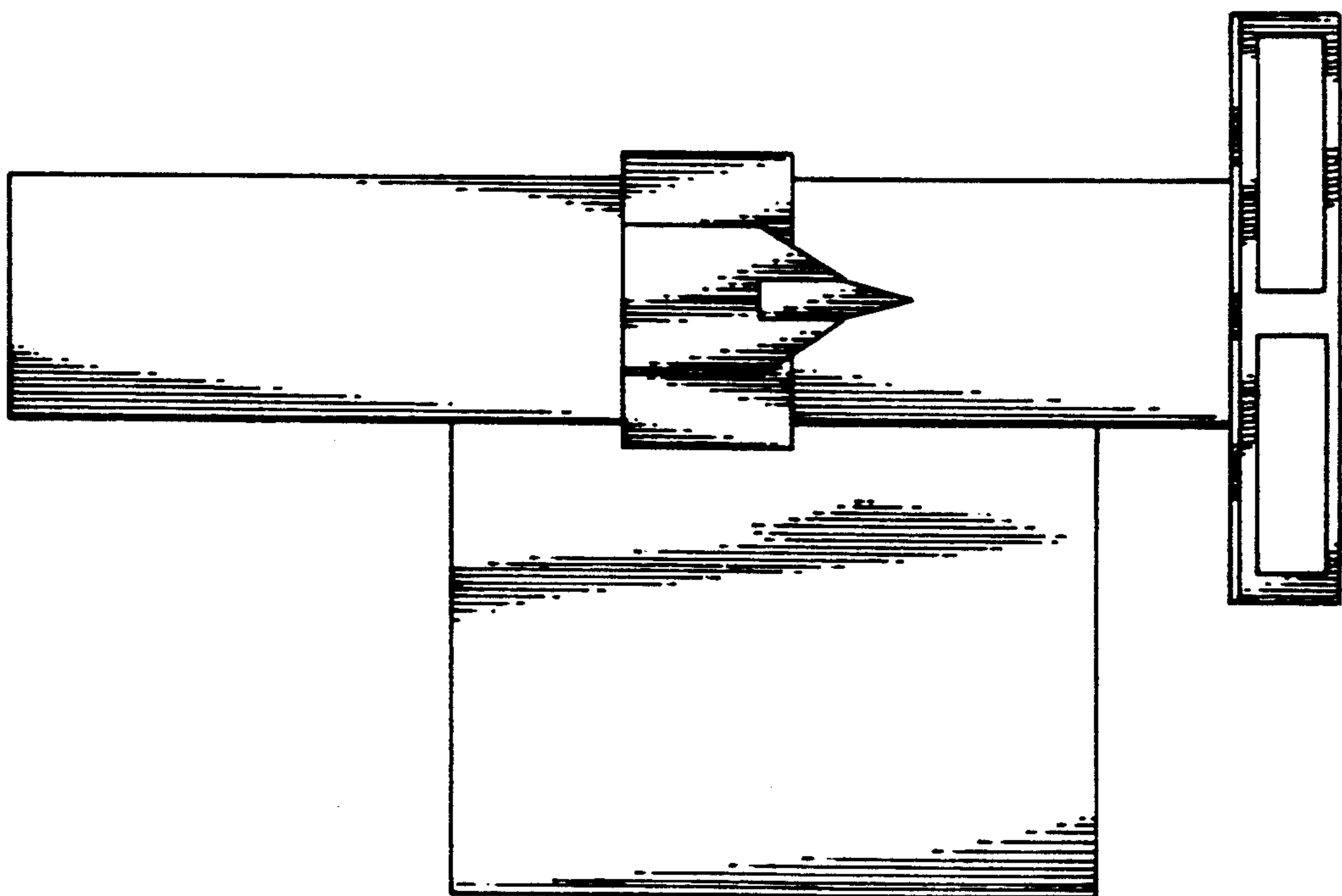


FIG. 2

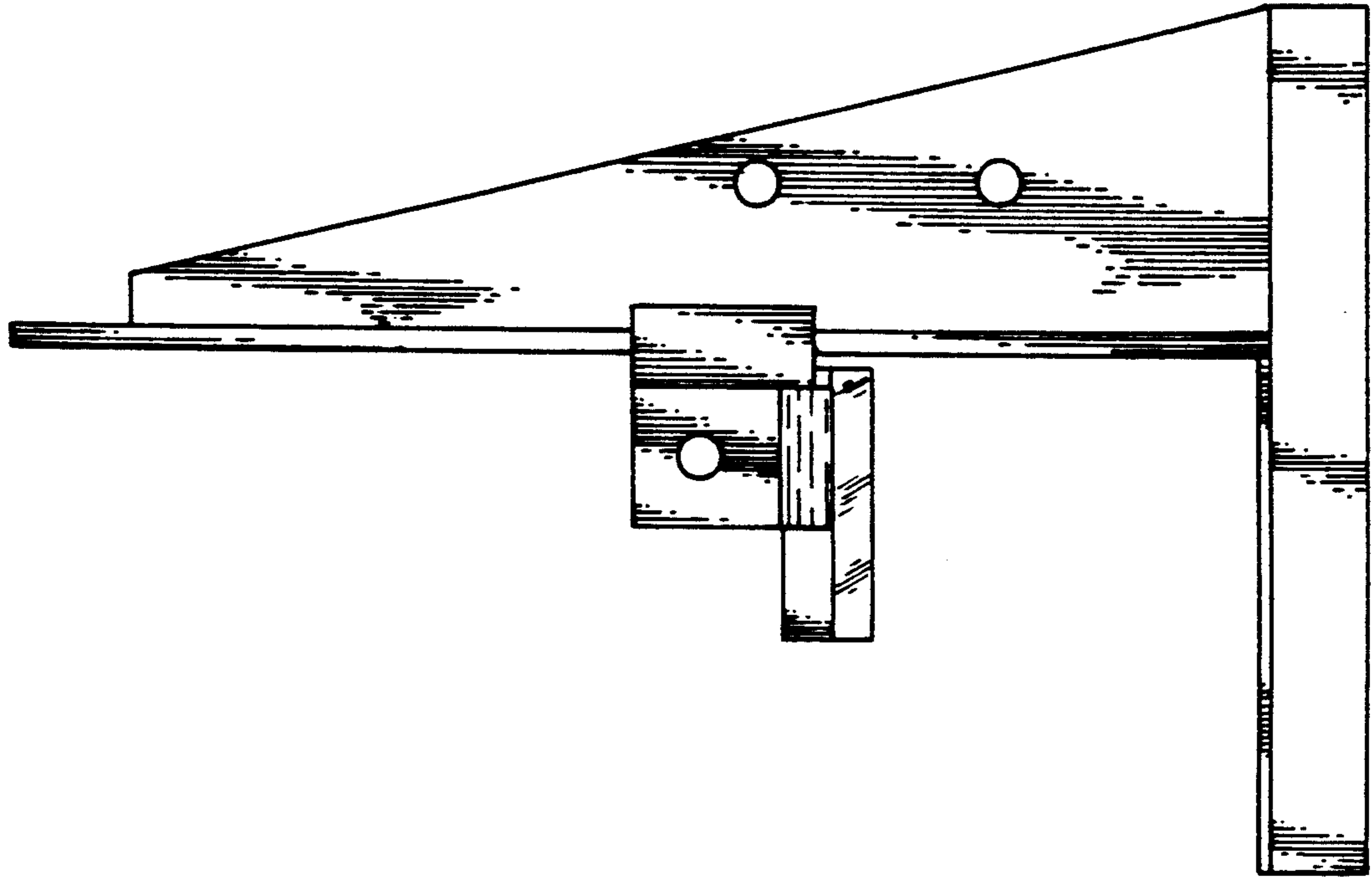


FIG. 5

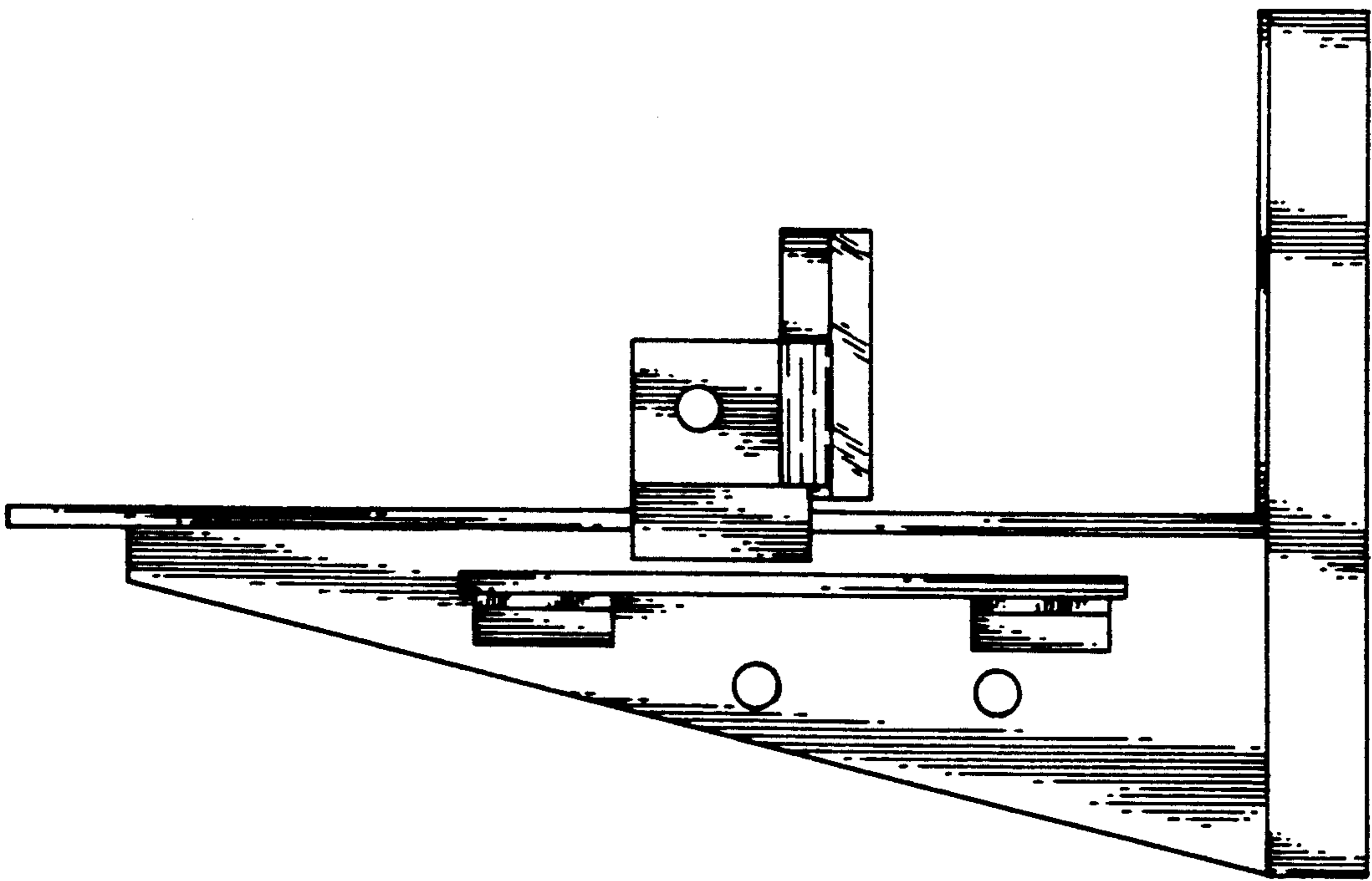


FIG. 4

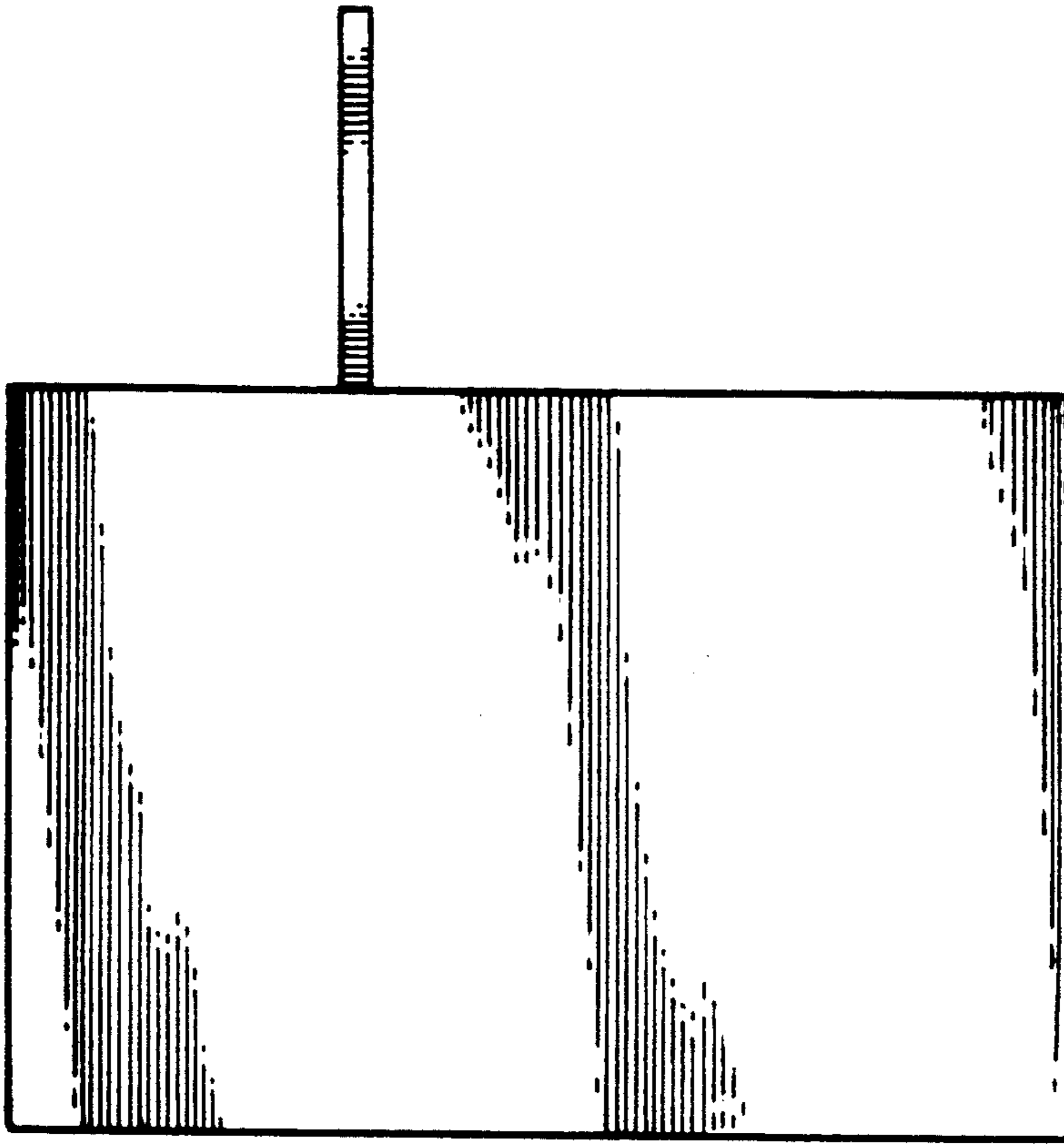


FIG. 7

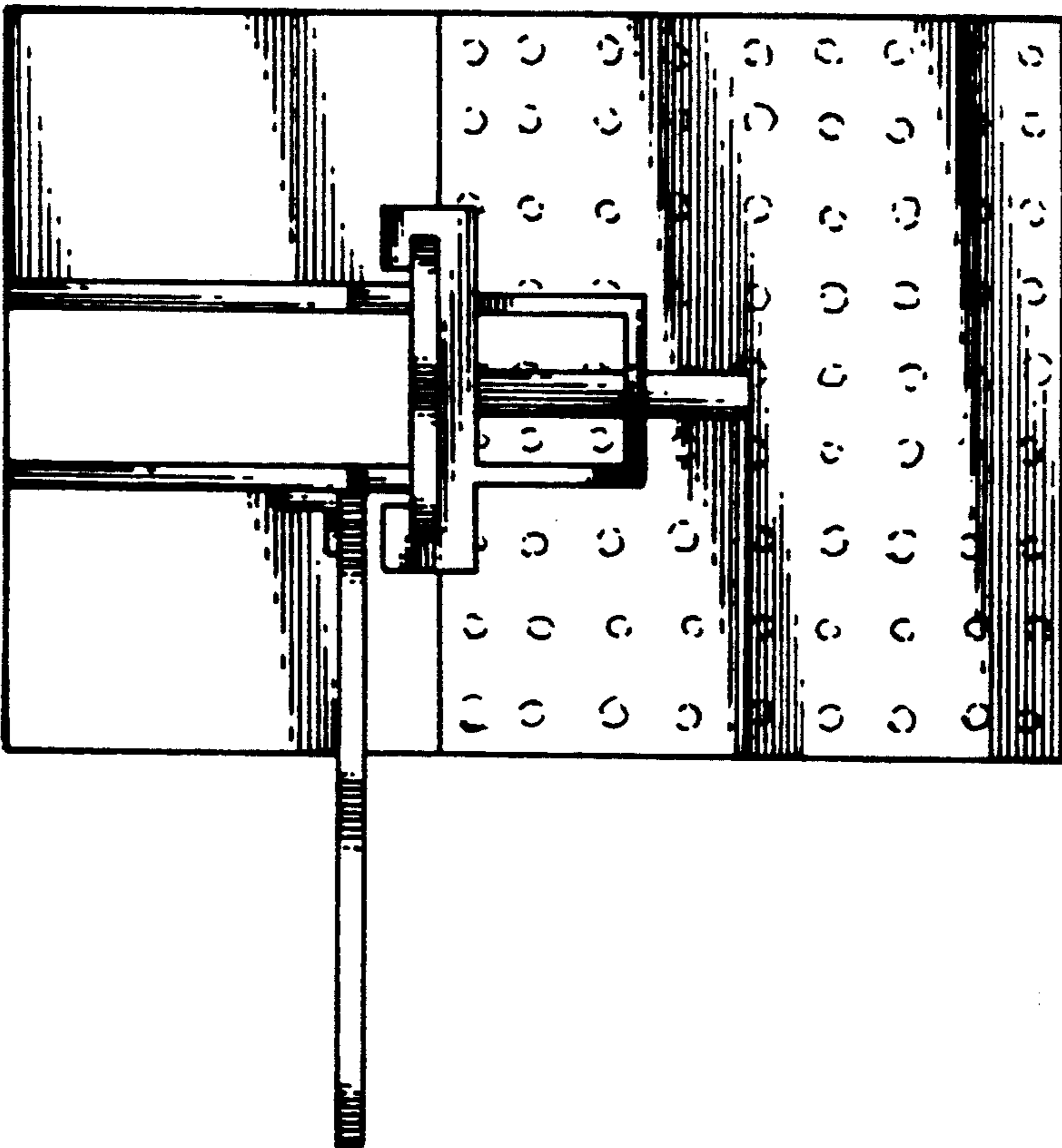


FIG. 6