



US00D345168S

# United States Patent [19]

Cook et al.

[11] Patent Number: Des. 345,168

[45] Date of Patent: \*\* Mar. 15, 1994

[54] GRASS CHOPPER

5,005,344 4/1991 McCracken ..... 56/16.7

[76] Inventors: Telford F. Cook; Daniel H. McGhee, Jr., both of R.R. 1, Cave-In-Rock, Ill. 62919

### OTHER PUBLICATIONS

John Deere Lawn & Garden Tractors Dec. 1987, p. 16 front mower deck.

[\*\*] Term: 14 Years

Primary Examiner—Bernard Ansher  
Assistant Examiner—Sandra Morris  
Attorney, Agent, or Firm—S. Michael Bender

[21] Appl. No.: 688,878

### [57] CLAIM

[22] Filed: Apr. 22, 1991

The ornamental design for a grass chopper, as shown and described.

[52] U.S. Cl. .... D15/27; D15/17

[58] Field of Search ..... 56/6, 13.3, 13.4, 15.8, 56/16.7, 17.1, 202, 255, 320.2; D15/10, 14-17, 27, 28

### DESCRIPTION

### [56] References Cited

#### U.S. PATENT DOCUMENTS

D. 208,364	8/1967	Coss .....	D15/17
D. 271,398	11/1983	McCanse et al. ....	D15/27
3,177,639	4/1965	Hardee .....	D15/27
4,296,875	10/1981	Borglum .....	222/624
4,858,417	8/1989	Priefert et al. ....	56/17.1

FIG. 1 is a front elevational view of the grass chopper showing my new design;  
FIG. 2 is a rear elevational view thereof;  
FIG. 3 is a right side elevational view thereof;  
FIG. 4 is a left side elevational view thereof;  
FIG. 5 is a top plan view thereof;  
FIG. 6 is a bottom plan view thereof; and,  
FIG. 7 is a perspective view thereof.

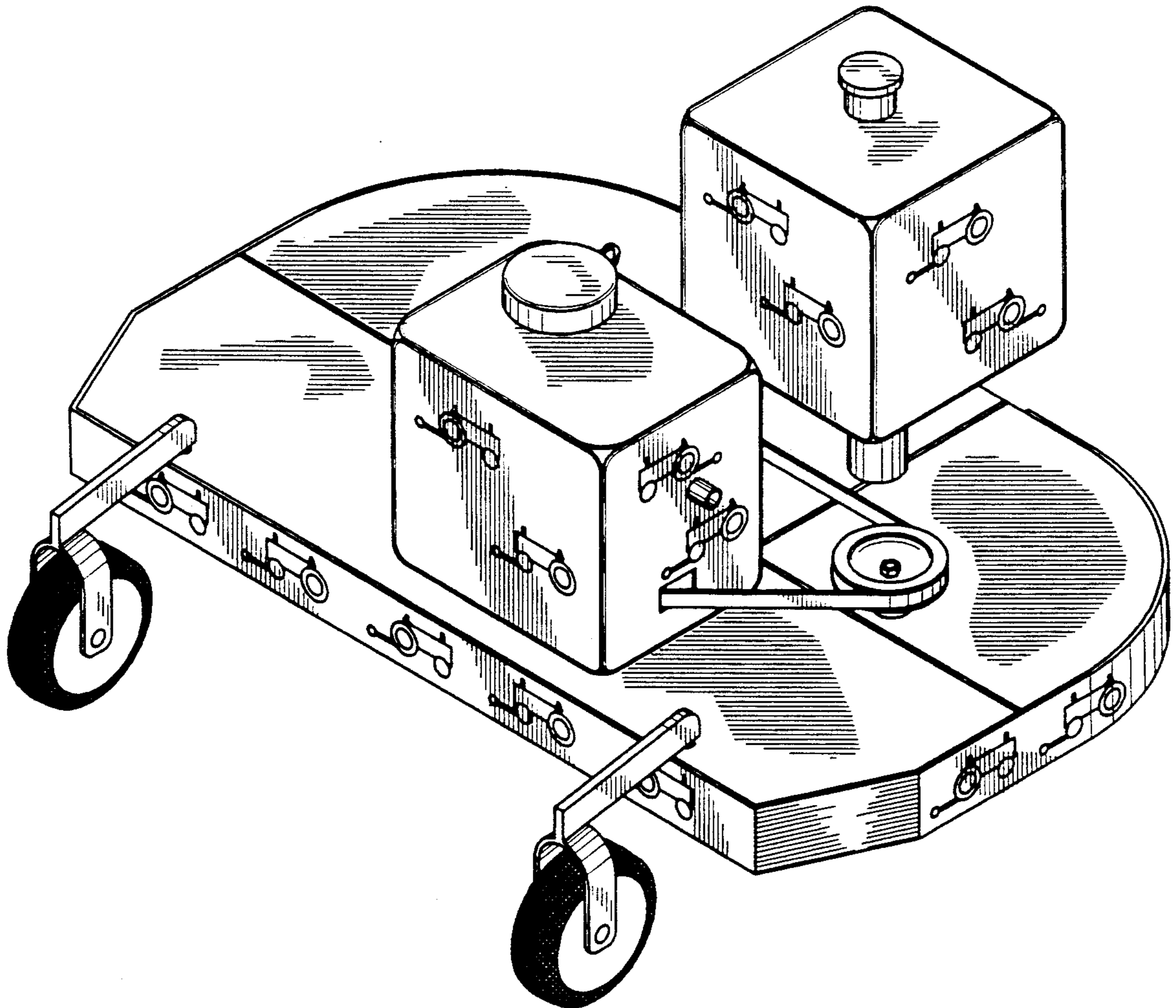


FIG. 1

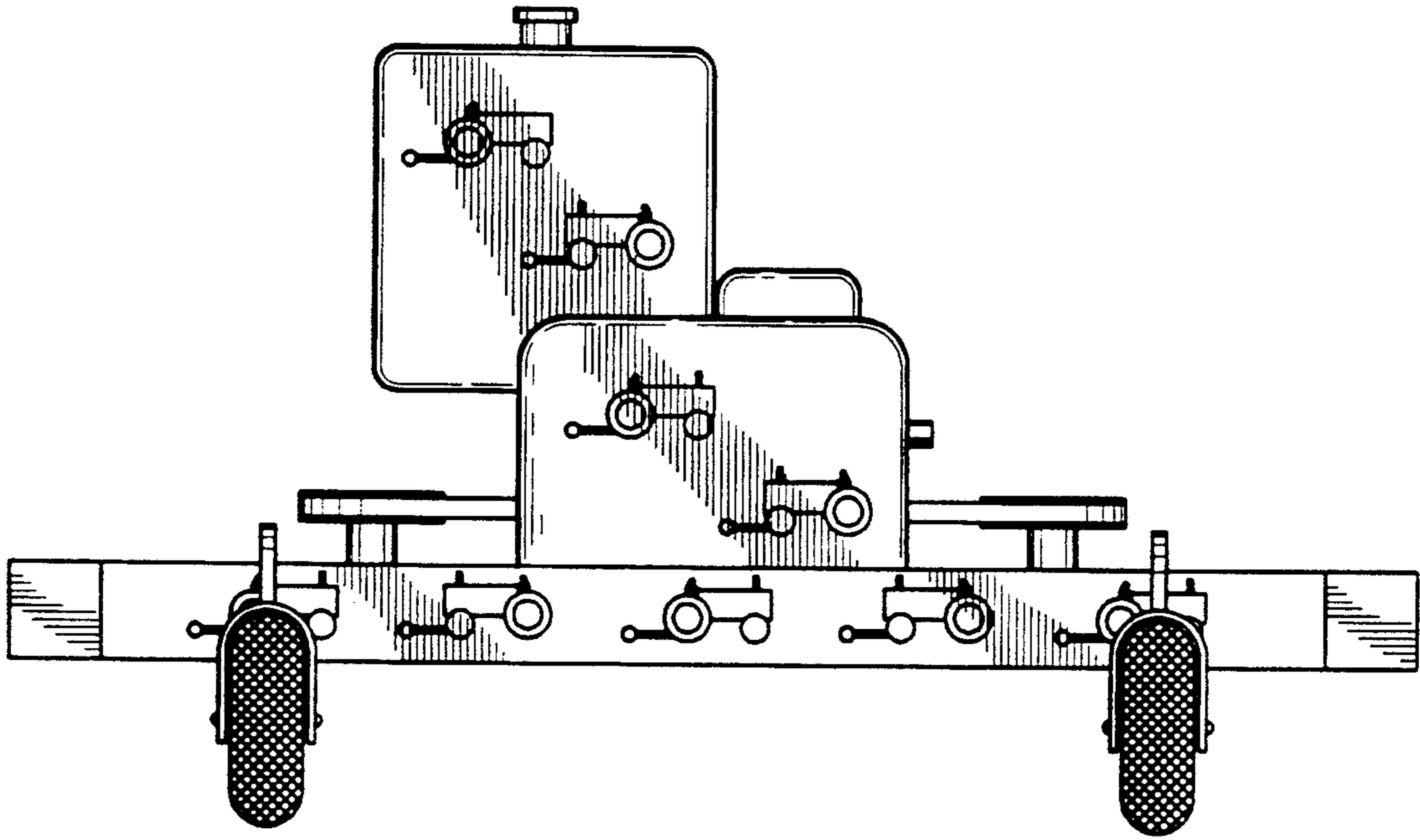


FIG. 2

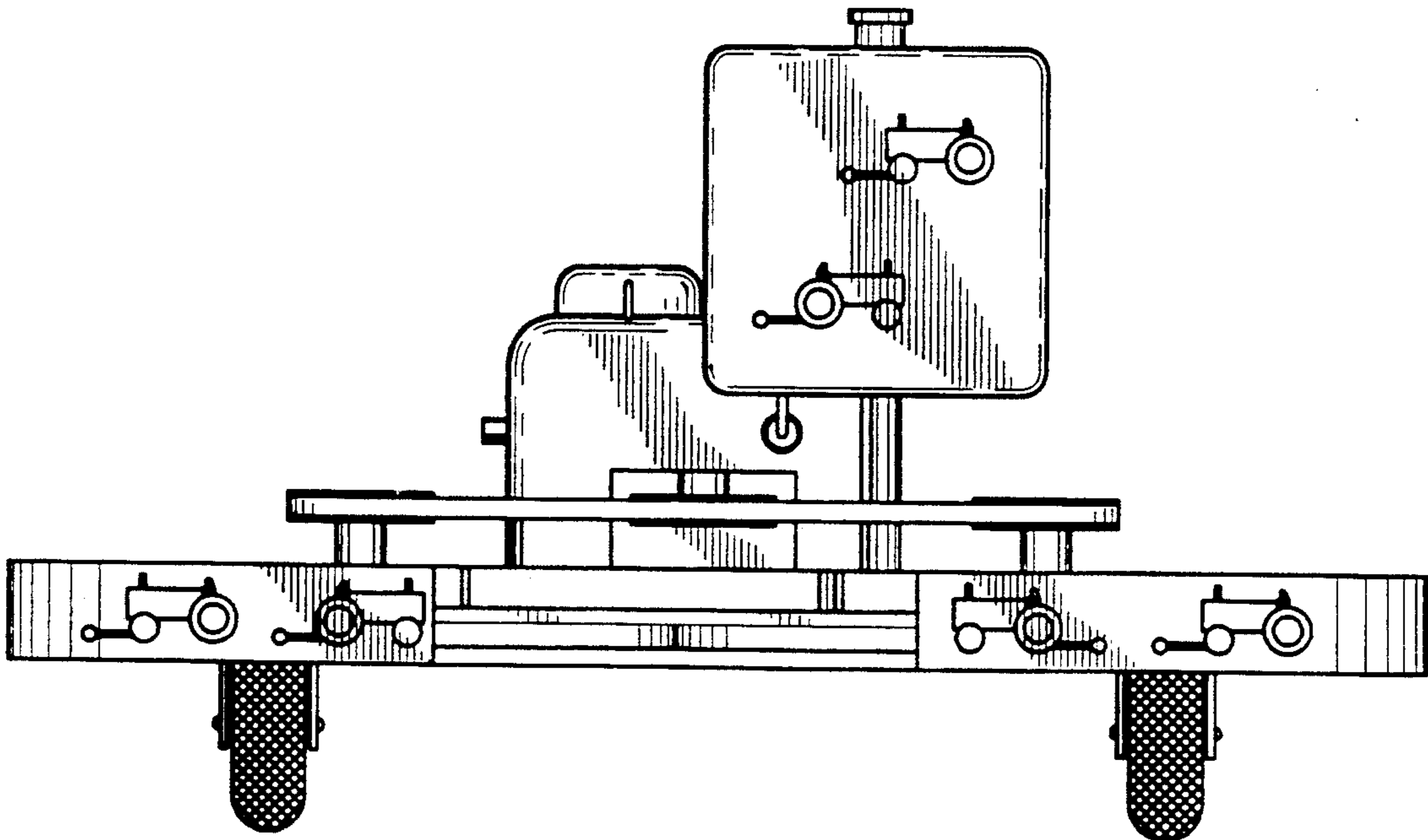


FIG. 3

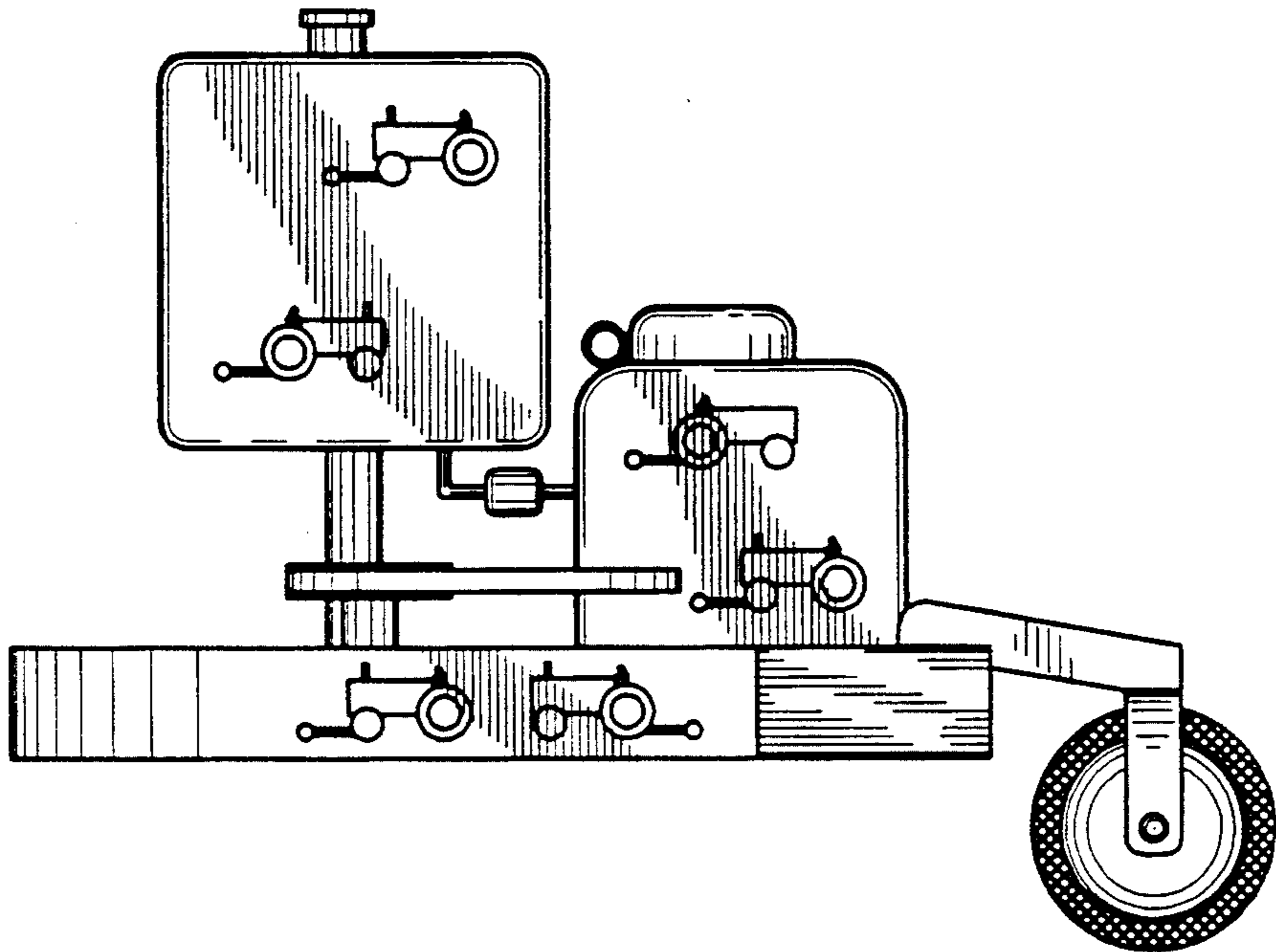


FIG. 4

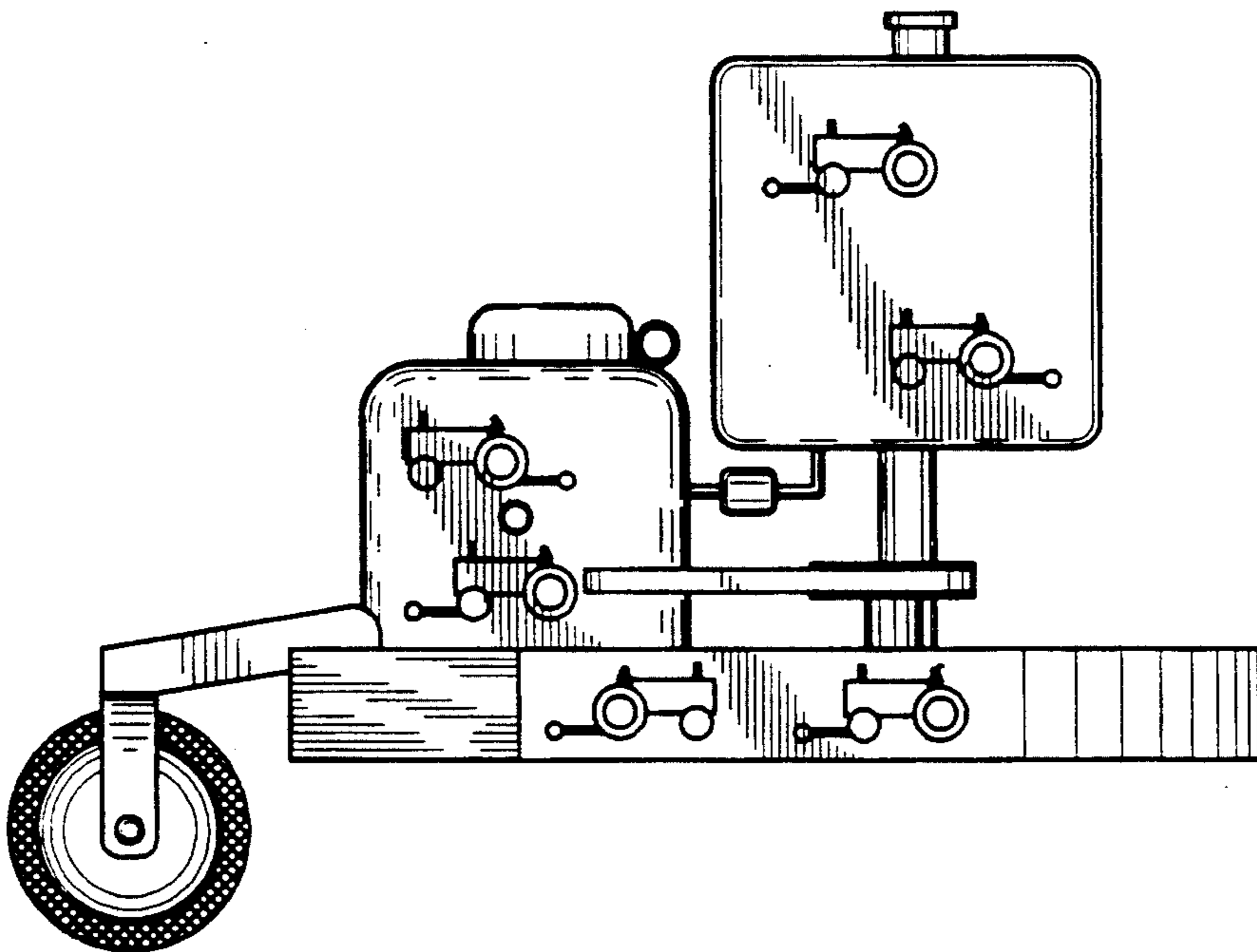


FIG. 5

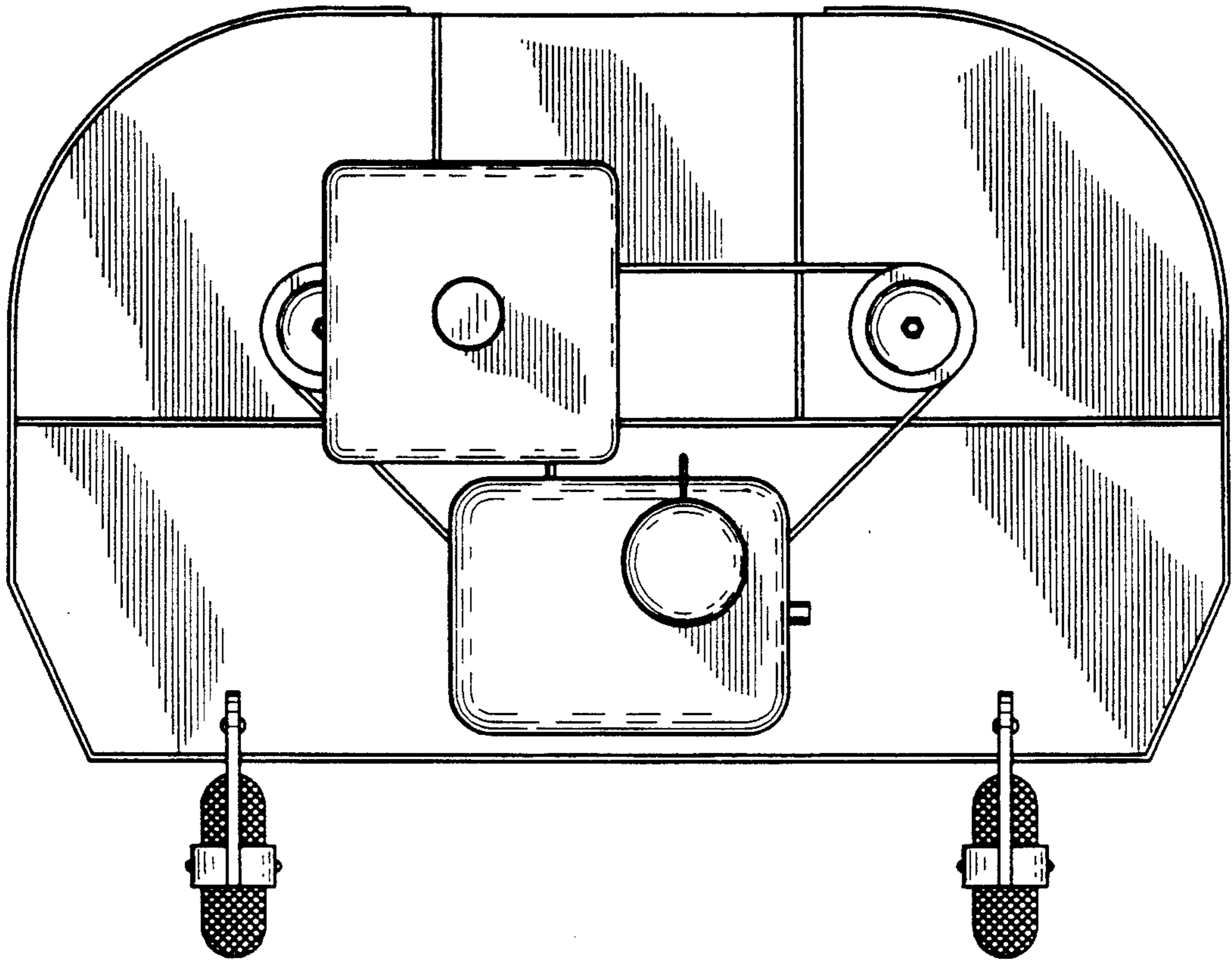


FIG. 6

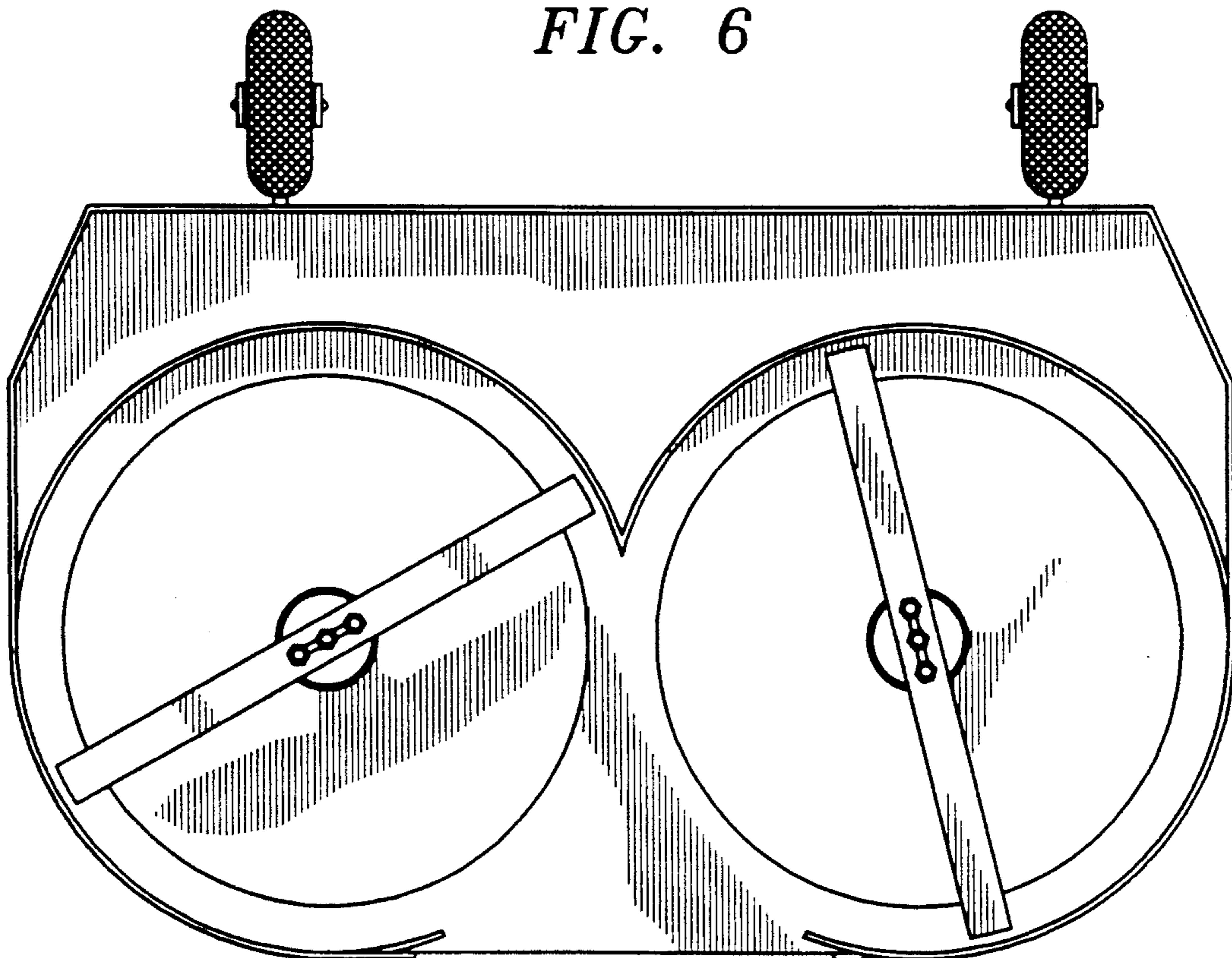


FIG. 7

