



US00D345161S

United States Patent [19]

[11] Patent Number: **Des. 345,161**

Murphy

[45] Date of Patent: **** Mar. 15, 1994**

[54] **COMBINED TAPE RECORDER, PLAYER AND MICROPHONE**

[57] **CLAIM**

[75] Inventor: **Patrick J. Murphy**, East Aurora, N.Y.

The ornamental design for a combined tape recorder, player and microphone, as shown and described.

[73] Assignee: **Fisher-Price, Inc.**, East Aurora, N.Y.

DESCRIPTION

[**] Term: **14 Years**

FIG. 1 is a front perspective view of a combined tape recorder, player and microphone showing my new design;

[21] Appl. No.: **887,309**

FIG. 2 is a left side elevational view thereof;

[22] Filed: **May 22, 1992**

FIG. 3 is a rear elevational view thereof;

[52] U.S. Cl. **D14/165; D14/168**

FIG. 4 is a right side elevational thereof showing an attached microphone;

[58] Field of Search **D14/124, 160-172, D14/188, 265, 299; D21/111, 112, 113**

FIG. 5 is a top plan view thereof;

FIG. 6 is a bottom plan view thereof;

[56] **References Cited**

FIG. 7 is an elevational view of the inside of the microphone thereof;

U.S. PATENT DOCUMENTS

D. 277,474	2/1985	Miura	D14/165
D. 288,947	3/1987	Kwan	D21/111
D. 290,843	7/1987	Murphy	D14/168
D. 304,832	11/1989	Murphy	D14/165
D. 317,765	6/1991	Nomizu et al.	D14/165

FIG. 8 is a left side elevational view of the microphone thereof;

FIG. 9 is an elevational view of the outside of the microphone thereof;

FIG. 10 is a right side elevational view of the microphone thereof;

OTHER PUBLICATIONS

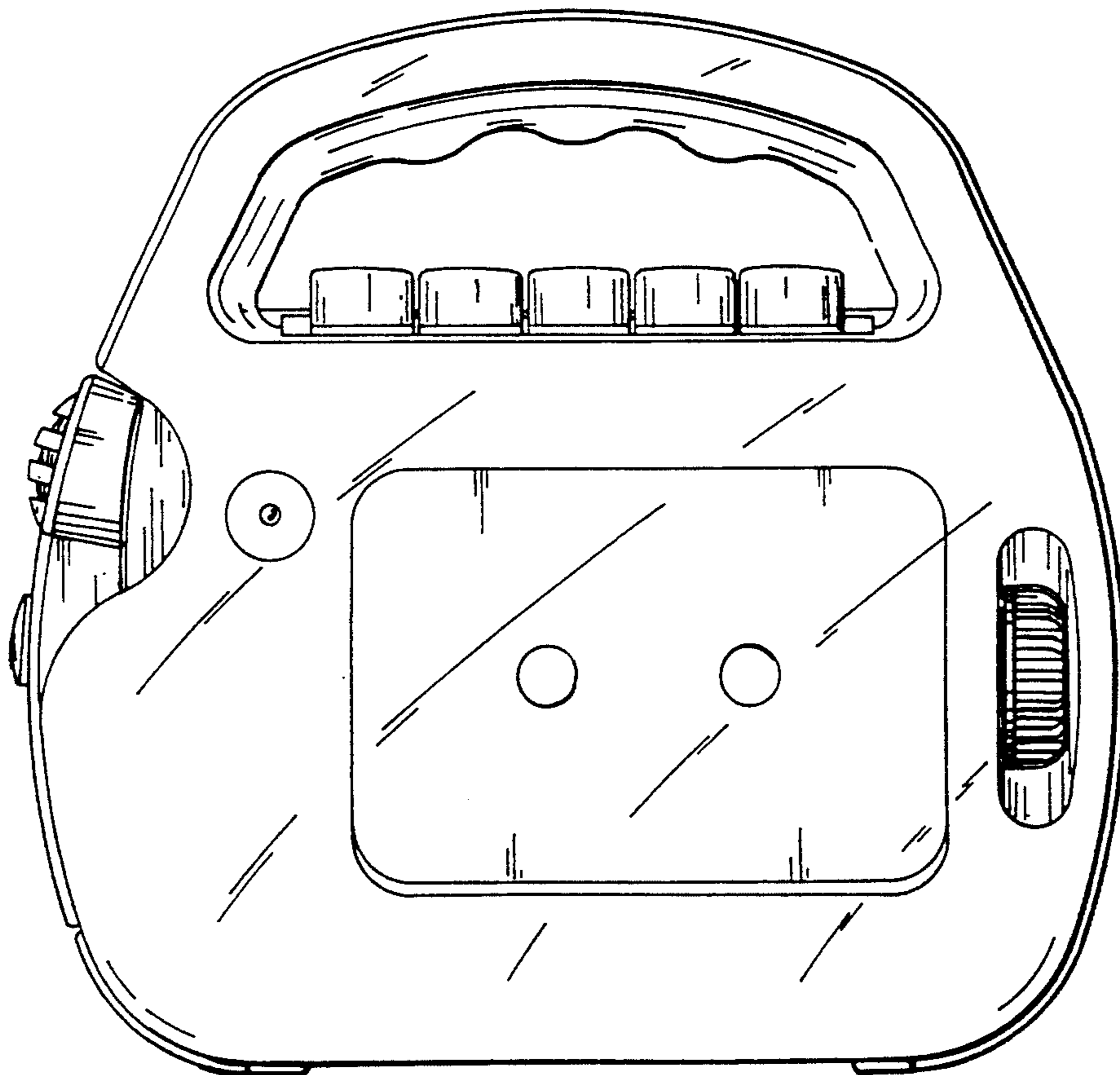
High Fidelity, Nov. 1988, p. 4.

FIG. 11 is a bottom plan view of the microphone thereof; and,

FIG. 12 is a partial top plan view showing the operating buttons.

Primary Examiner—Theodore M. Shooman
Attorney, Agent, or Firm—Howrey & Simon

The microphone is shown separate in FIGS. 7 through 11 for clarity of illustration.



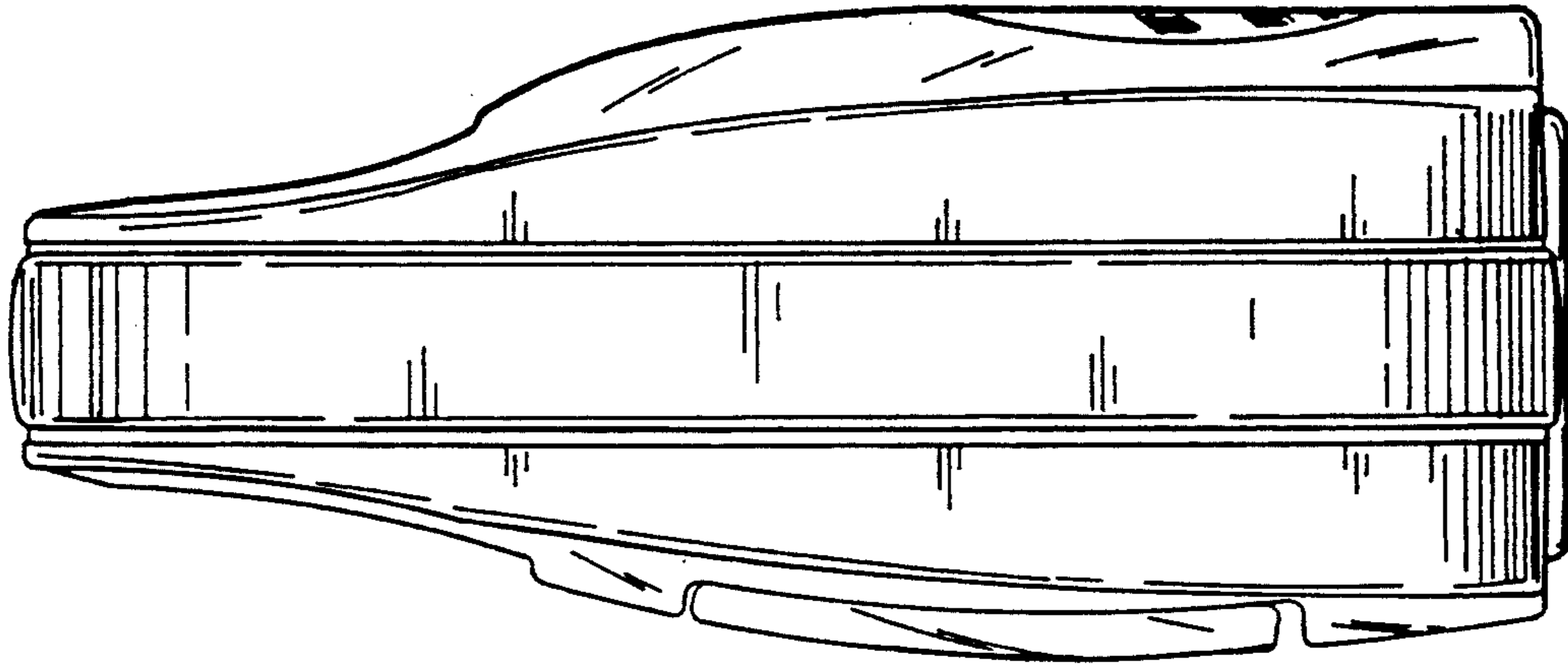


FIG. 2

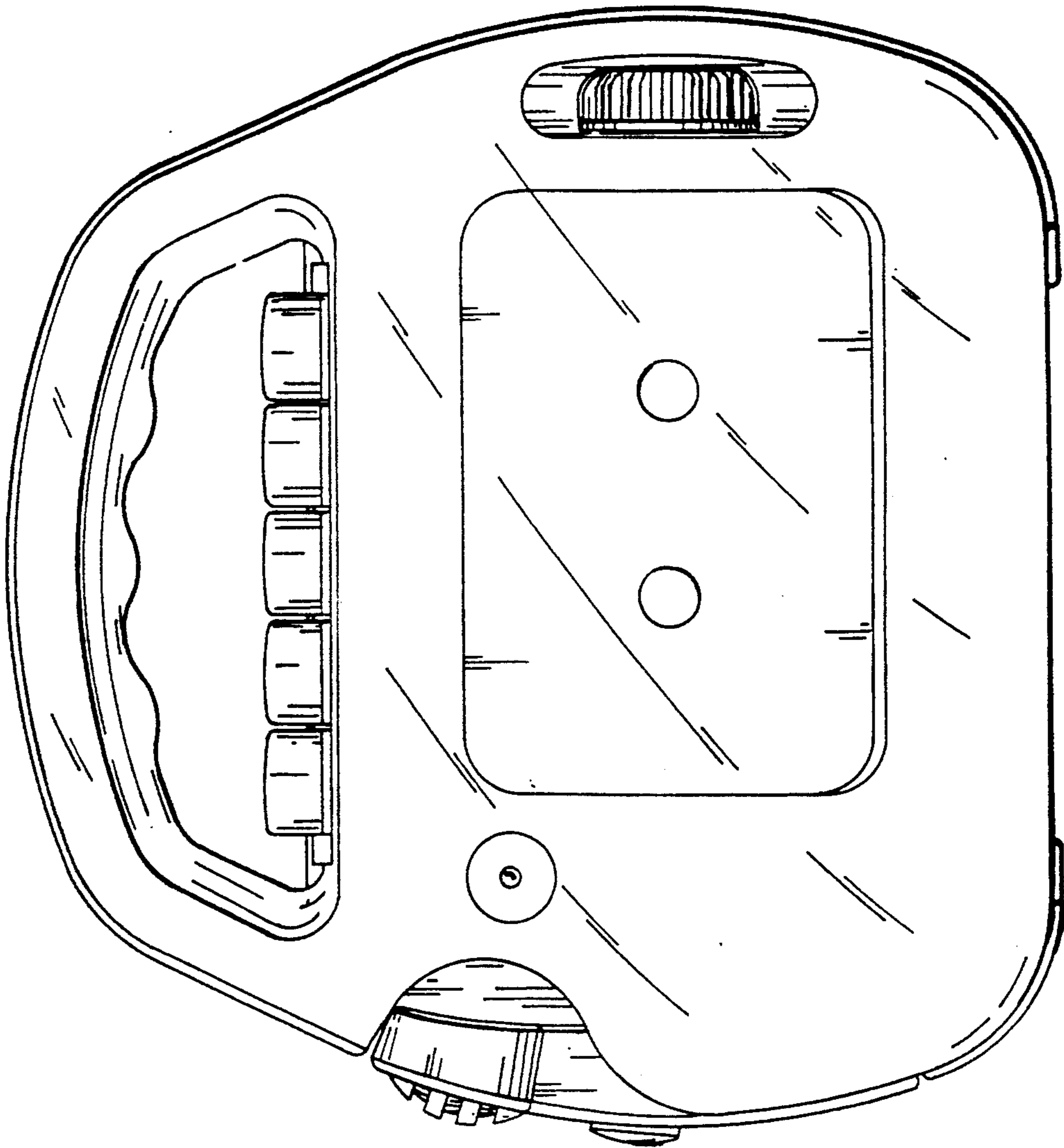


FIG. 1

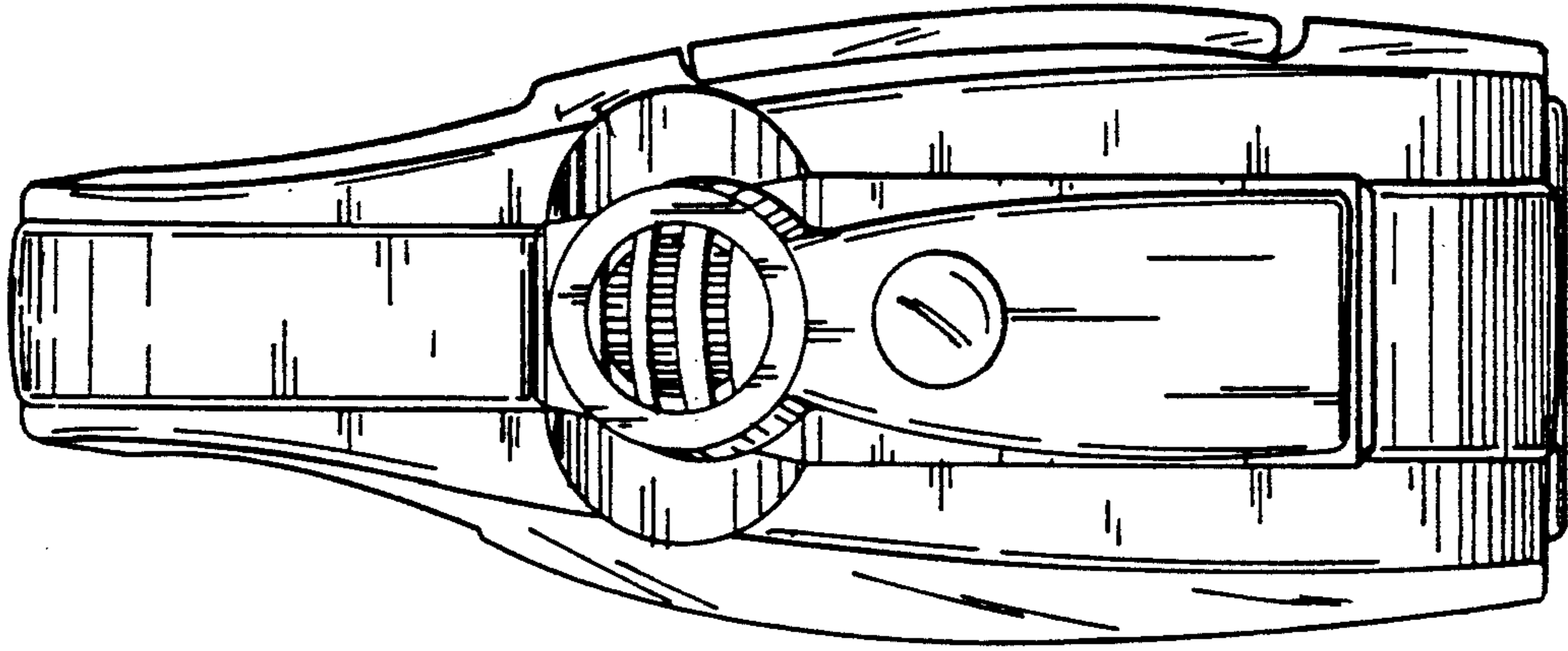


FIG. 4

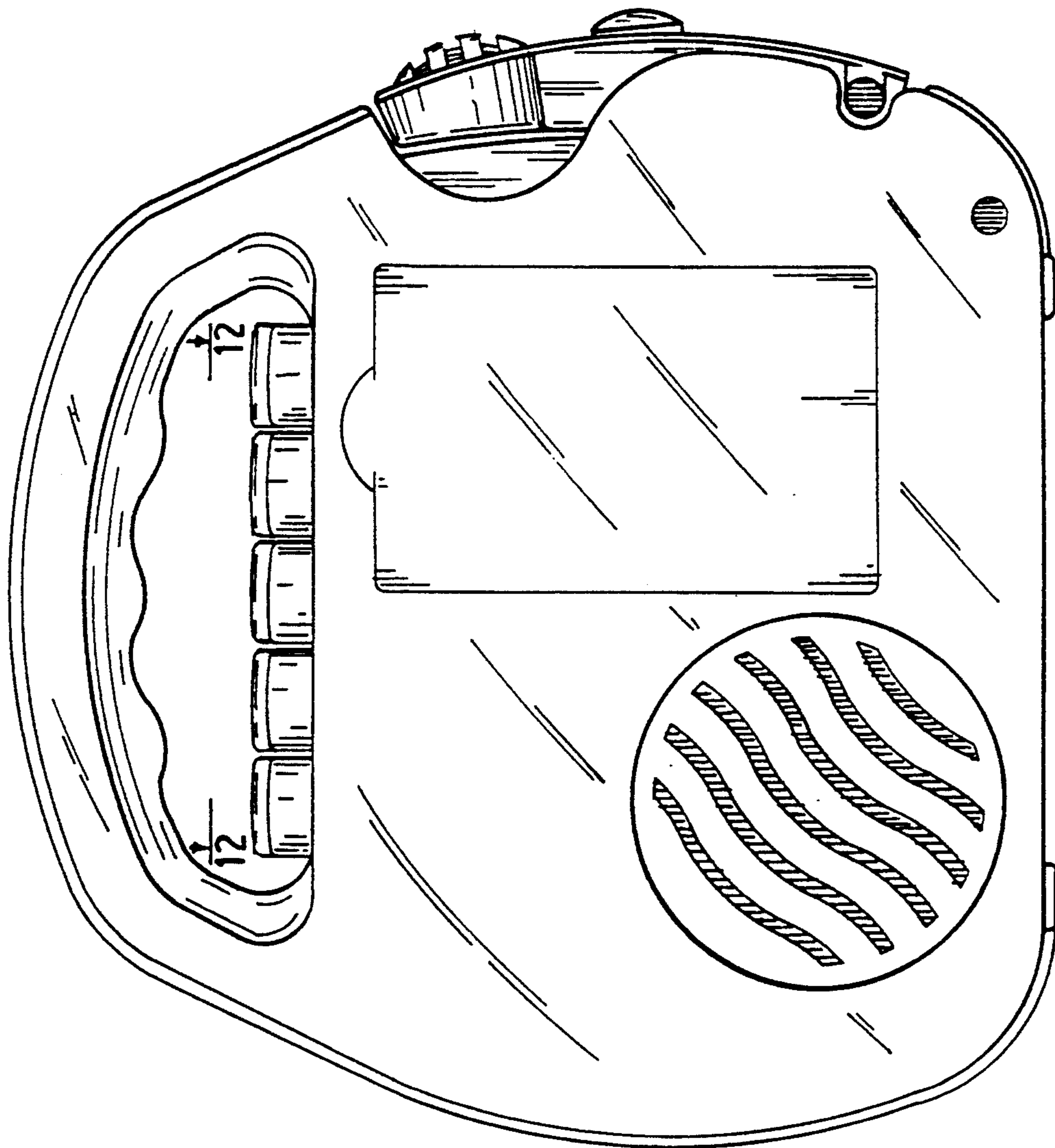


FIG. 3

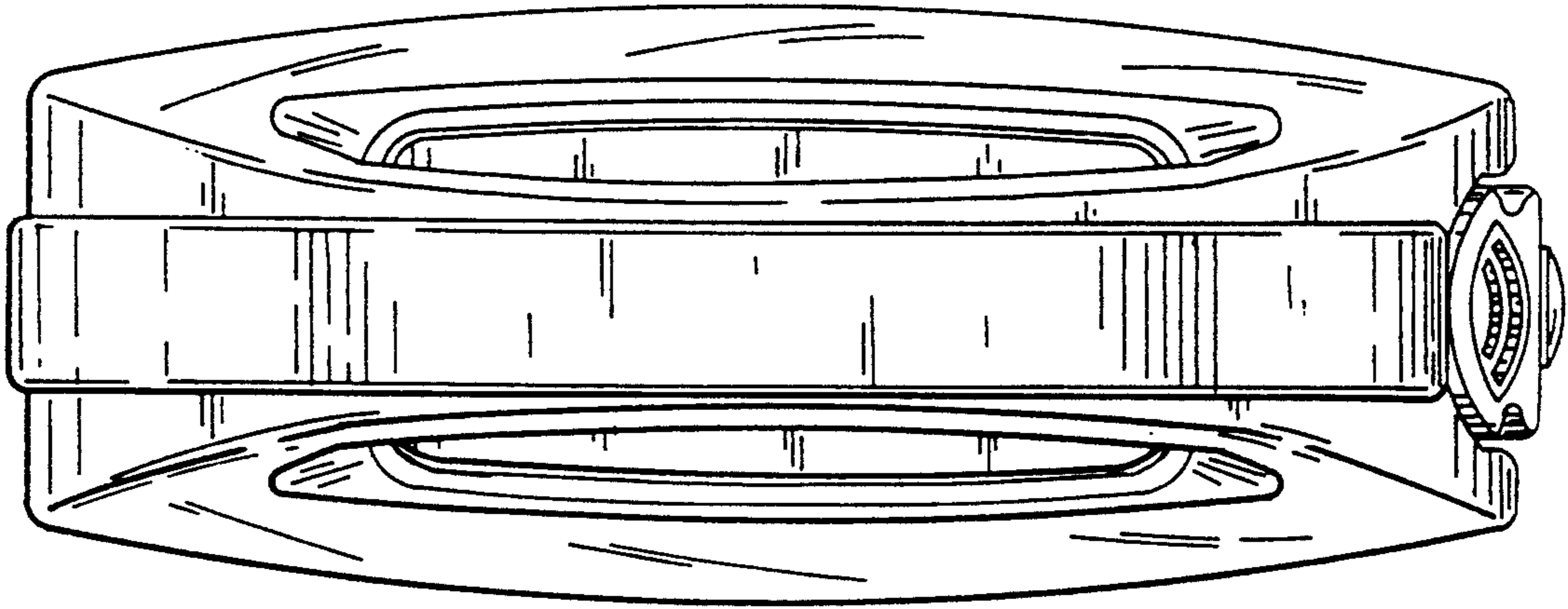


FIG. 5

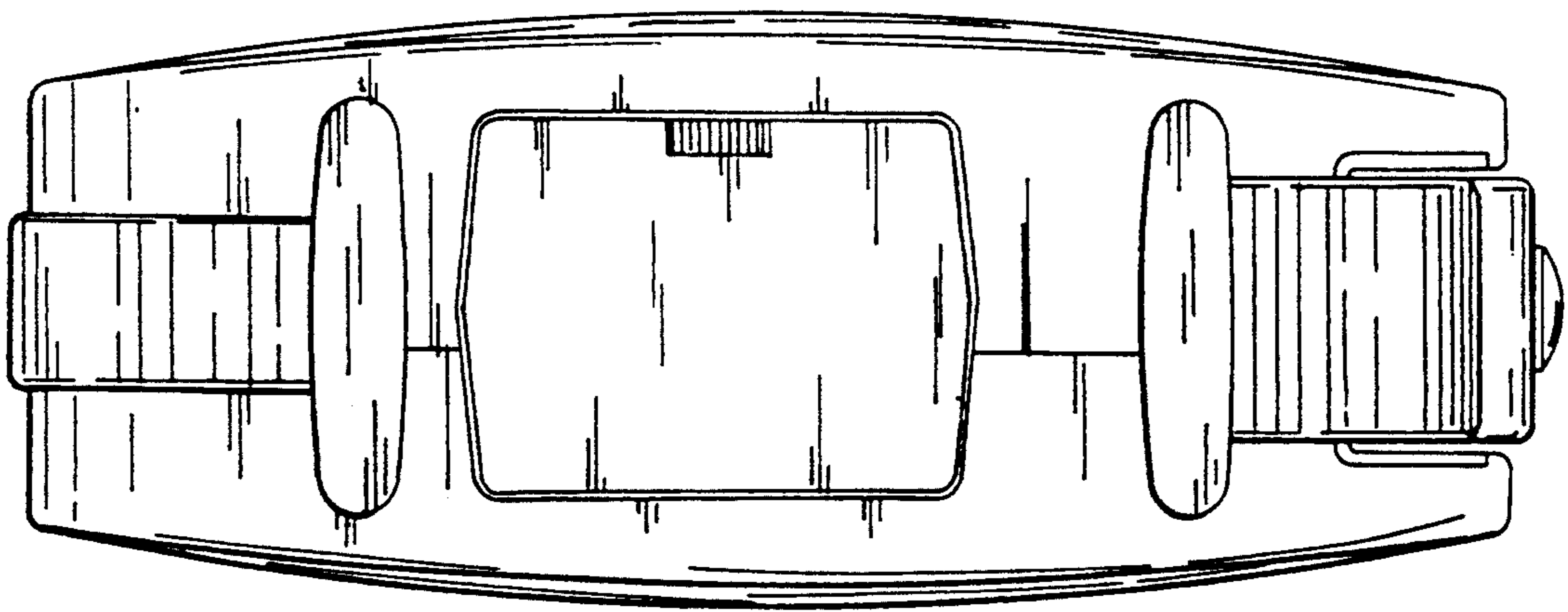


FIG. 6

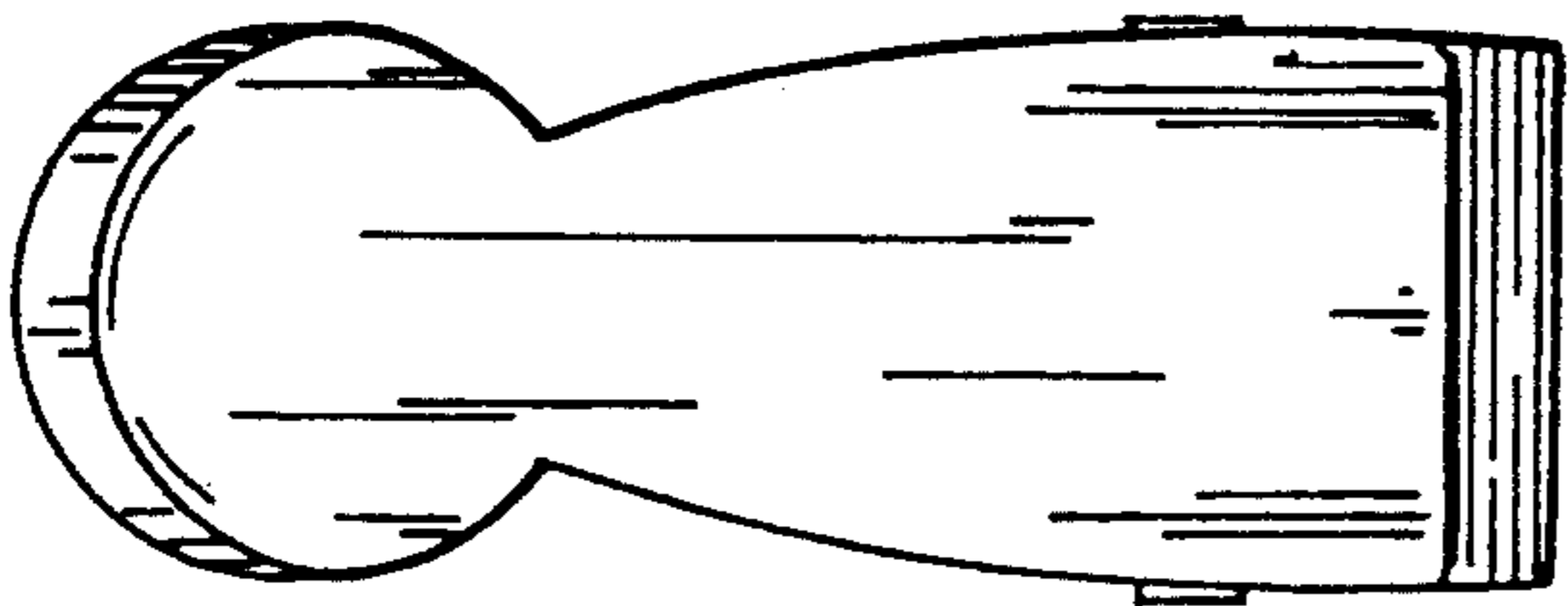


FIG. 7

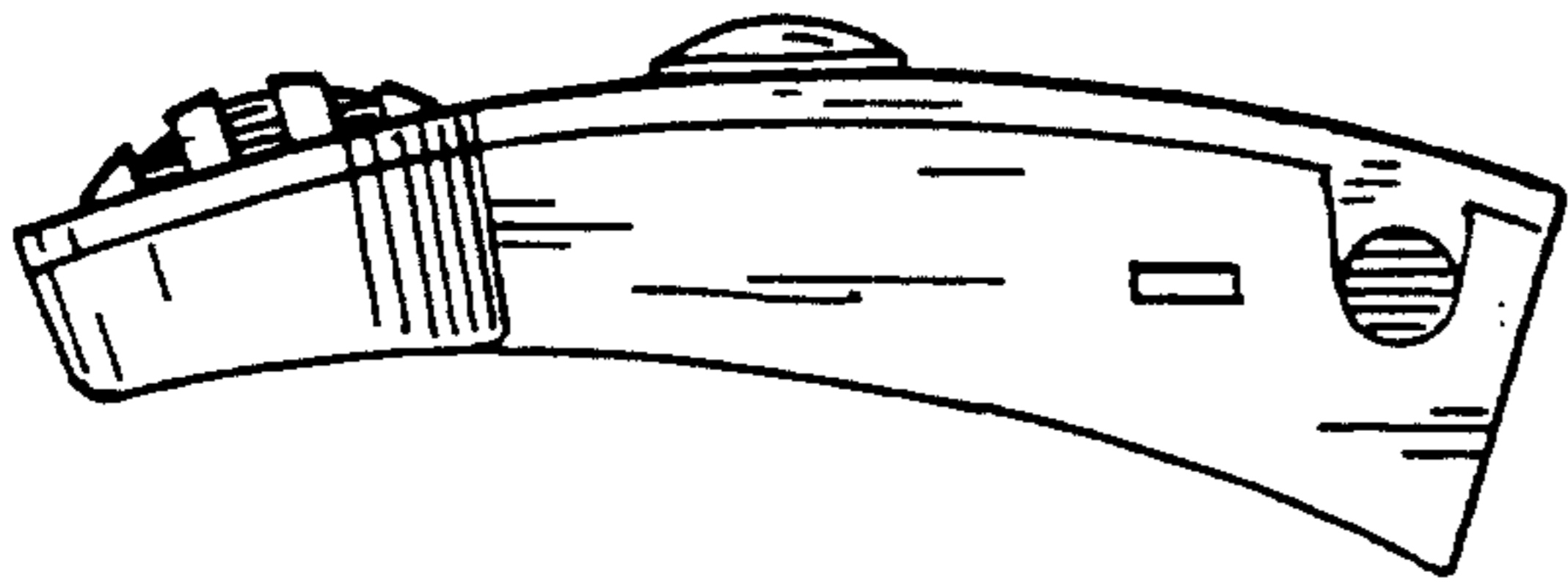


FIG. 8

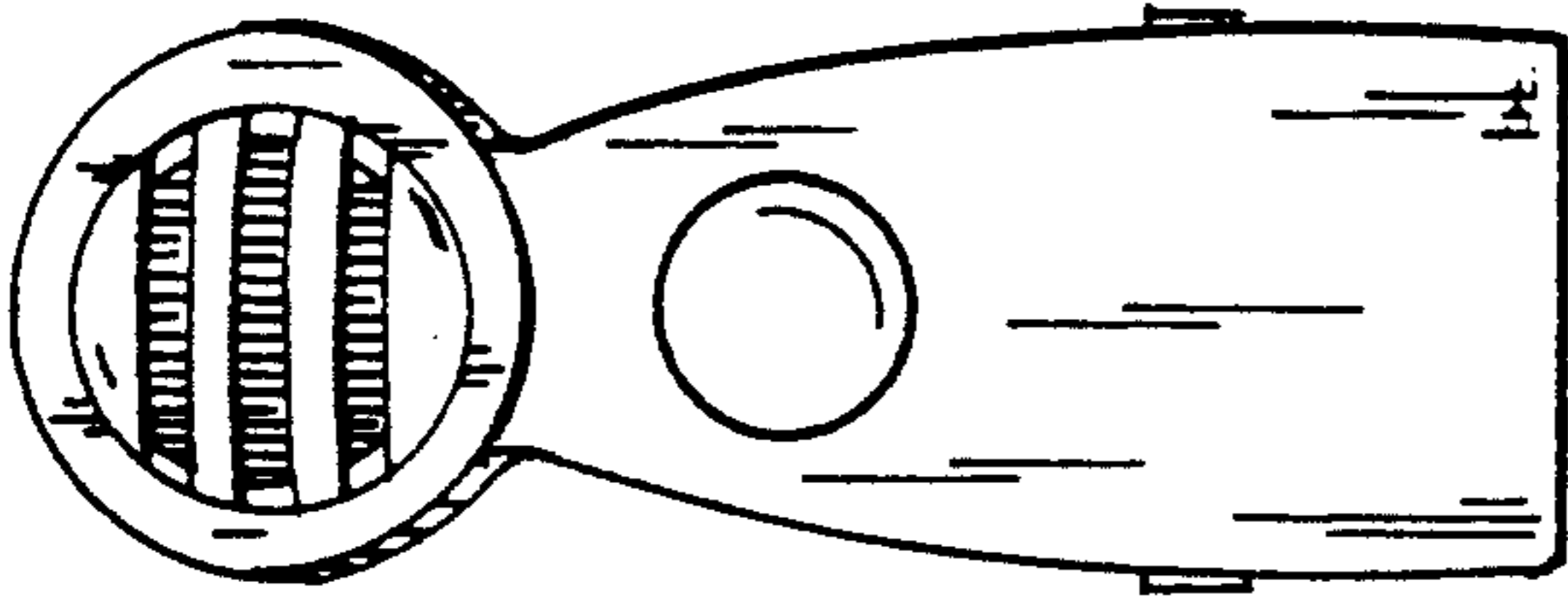


FIG. 9

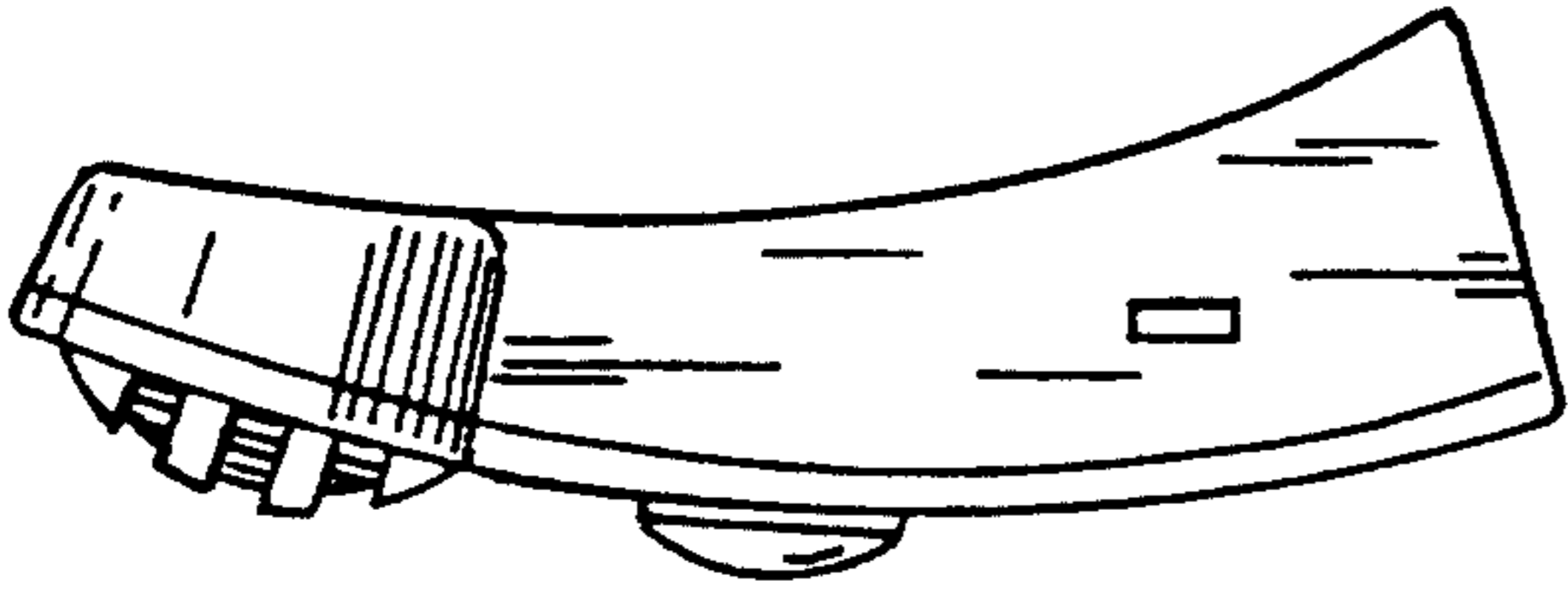


FIG. 10

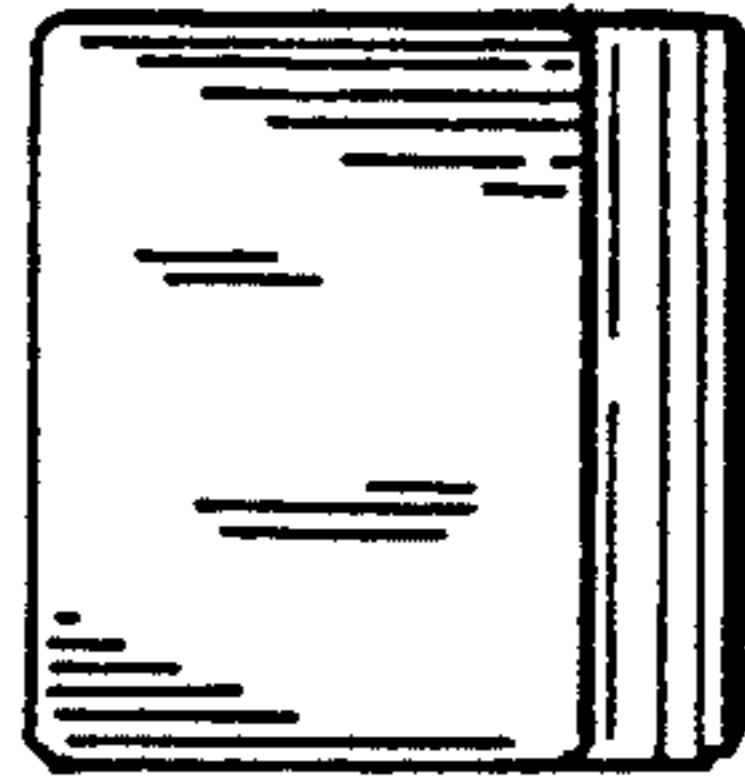


FIG. 11

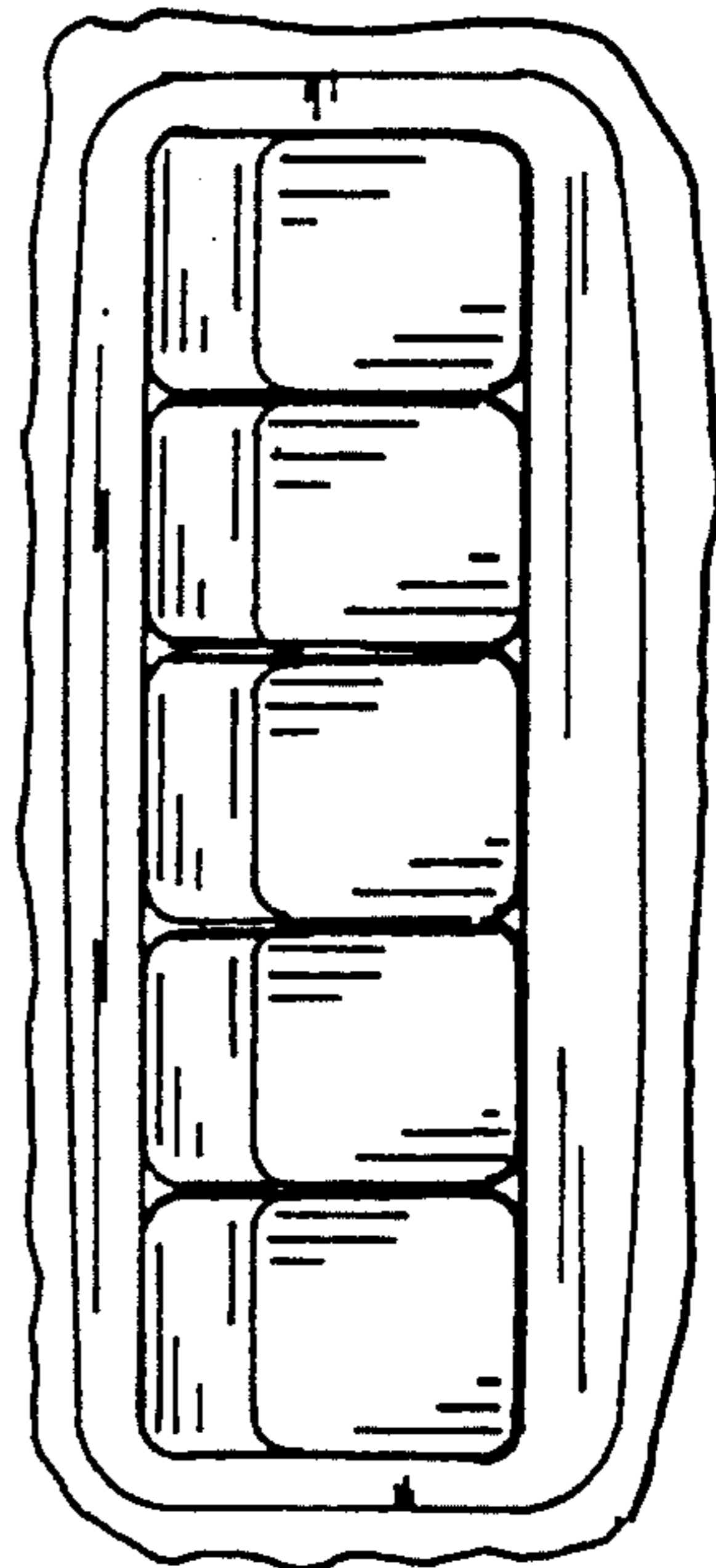


FIG. 12