



US00D345160S

# United States Patent [19]

[11] Patent Number: **Des. 345,160**

**Yamane**

[45] Date of Patent: **\*\* Mar. 15, 1994**

[54] **COMBINED CASSETTE TAPE PLAYER AND RADIO FOR AUTOMOBILES**

### OTHER PUBLICATIONS

[75] Inventor: **Shigemoto Yamane**, Yokohama, Japan

Stereo Review, Jul. 1989, p. 12, top left—Panasonic cassette receiver.

[73] Assignee: **Shintom Co., Ltd.**, Yokohama, Japan

Stereo Review, Jun. 1988, p. 109, Harman/Kardon receiver deck.

*Primary Examiner*—Theodore M. Shooman  
*Attorney, Agent, or Firm*—Oliff & Berridge

[\*\*] Term: **14 Years**

### [57] CLAIM

[21] Appl. No.: **875,157**

The ornamental design for a combined cassette tape player and radio for automobiles, as shown and described.

[22] Filed: **Apr. 30, 1992**

### DESCRIPTION

[52] U.S. Cl. .... **D14/157**

FIG. 1 is a front view of a combined cassette tape player and radio for automobiles, embodying our design;

[58] Field of Search ..... 455/73, 89, 90, 345, 455/346; D14/124, 137, 157, 257, 258, 299

FIG. 2 is a rear view of the combined cassette tape player and radio for automobile;

### [56] References Cited

#### U.S. PATENT DOCUMENTS

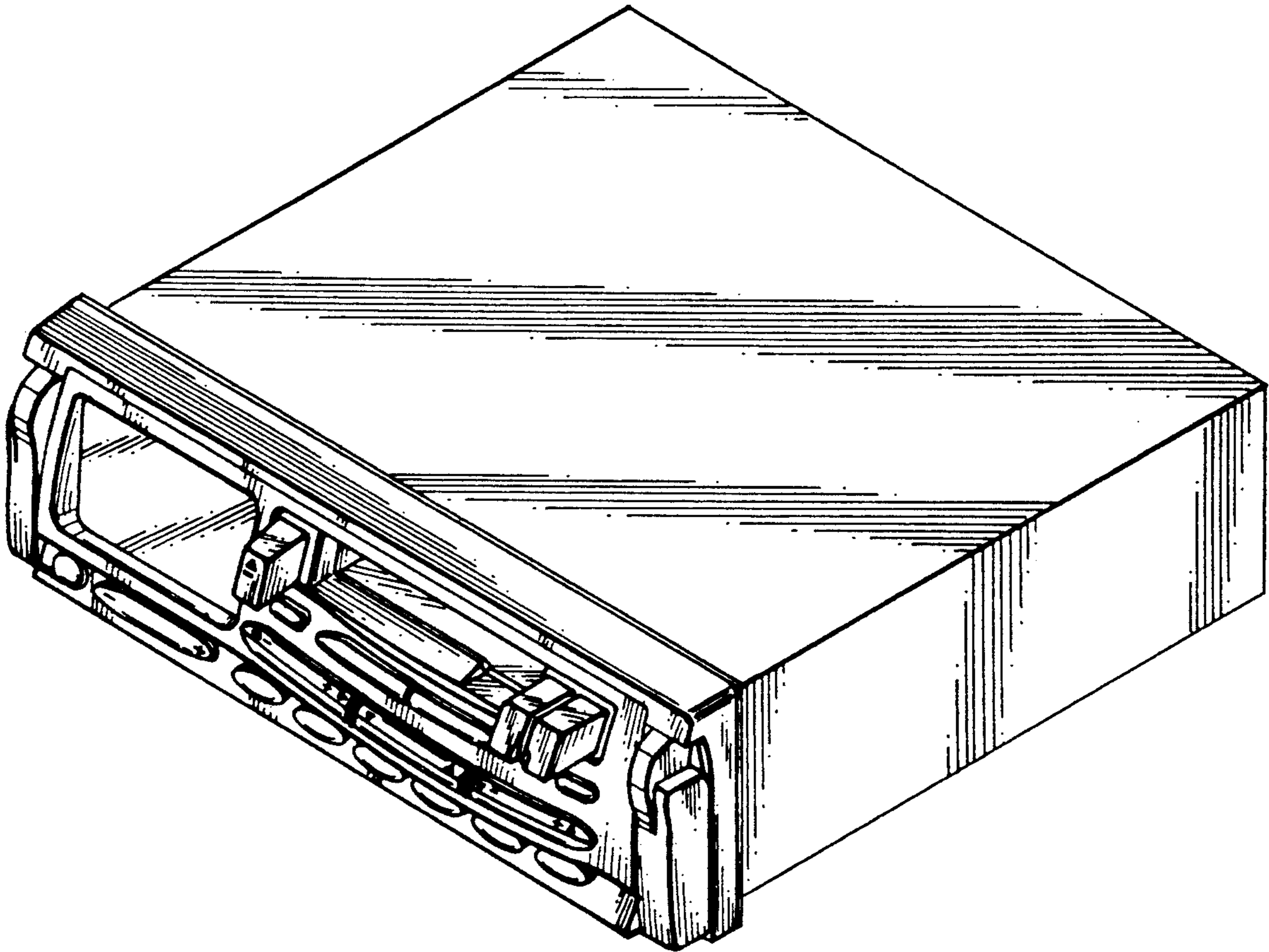
- D. 305,760 1/1990 Davidson ..... D14/157
- D. 307,906 5/1990 Beaumont ..... D14/157
- D. 312,456 11/1990 Kasparian et al. .... D14/157 X
- D. 321,512 11/1991 Kanari ..... D14/157

FIG. 3 is a right-side view of the combined cassette tape player and radio for automobiles, the left-side view being mirror image of the right-side view;

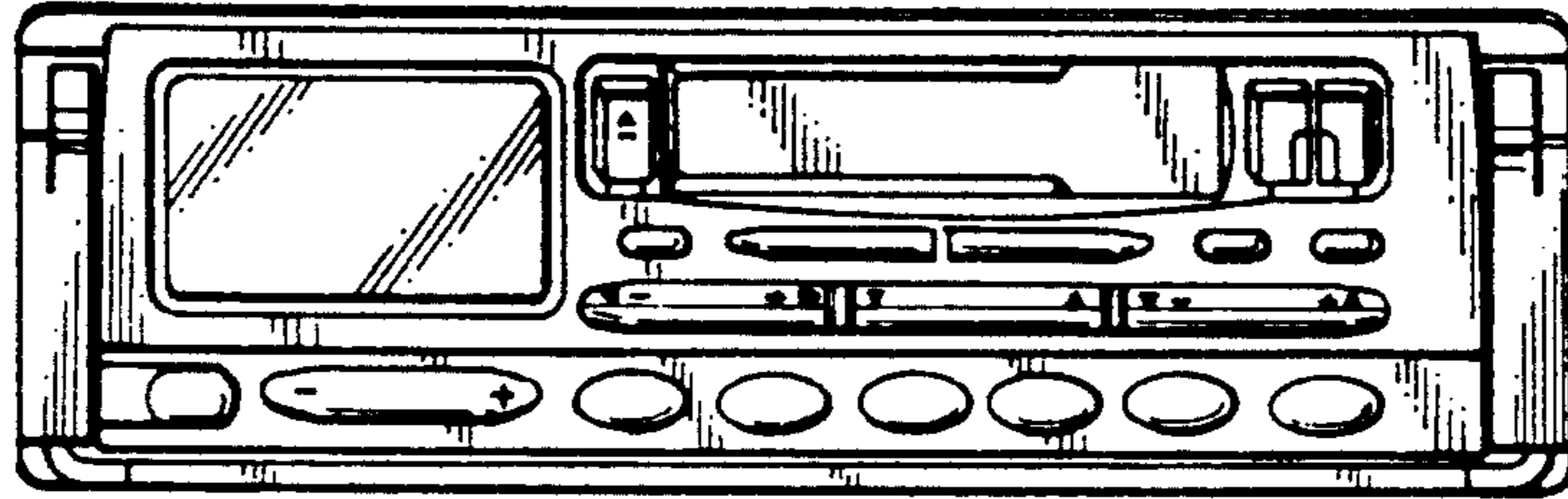
FIG. 4 is a plan view of the combined cassette tape player and radio for automobiles;

FIG. 5 is a bottom view of the combined cassette tape player and radio for automobiles; and,

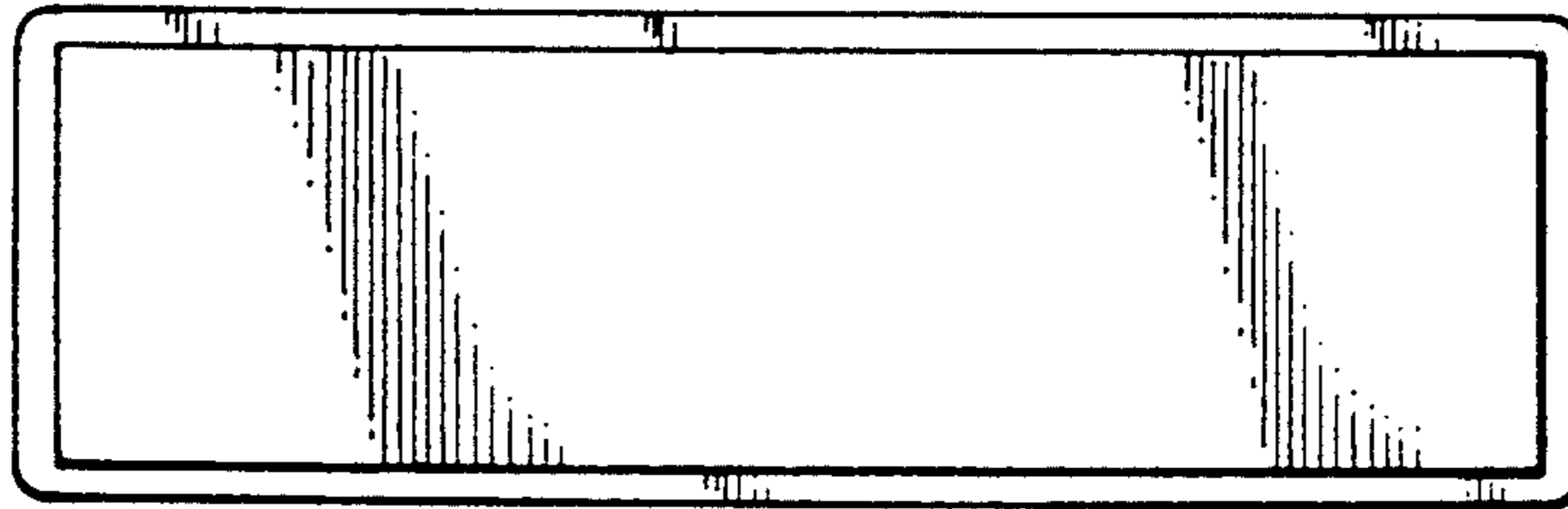
FIG. 6 is a perspective view of the combined cassette tape player and radio for automobiles.



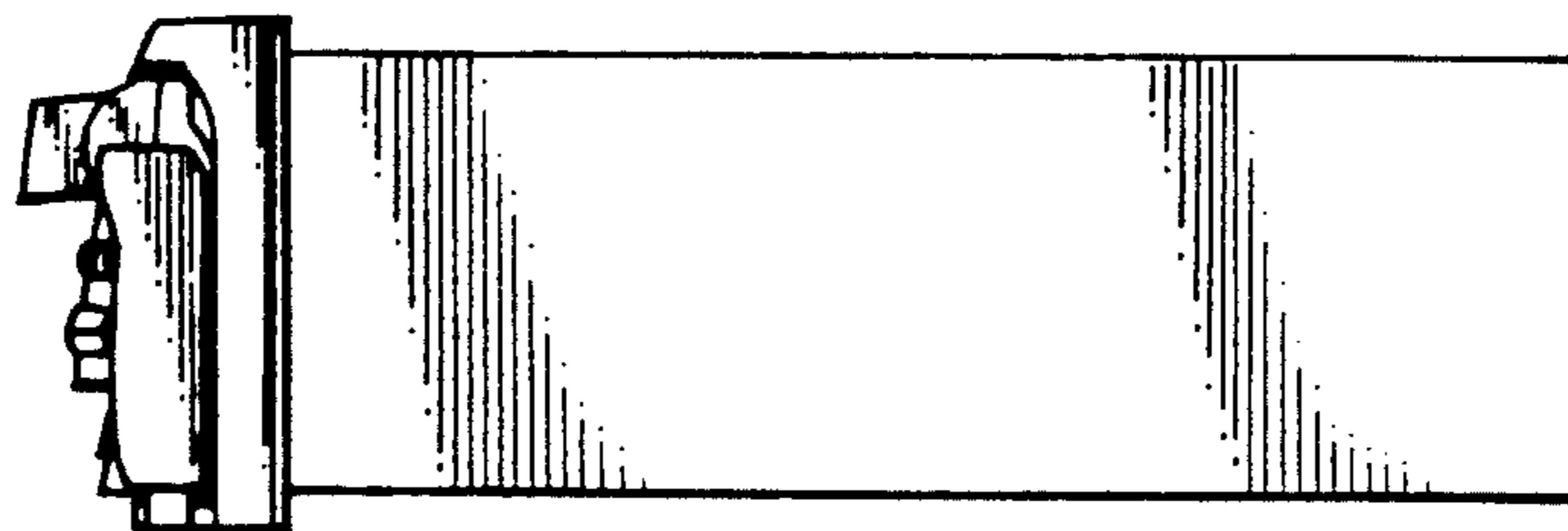
*FIG. 1*



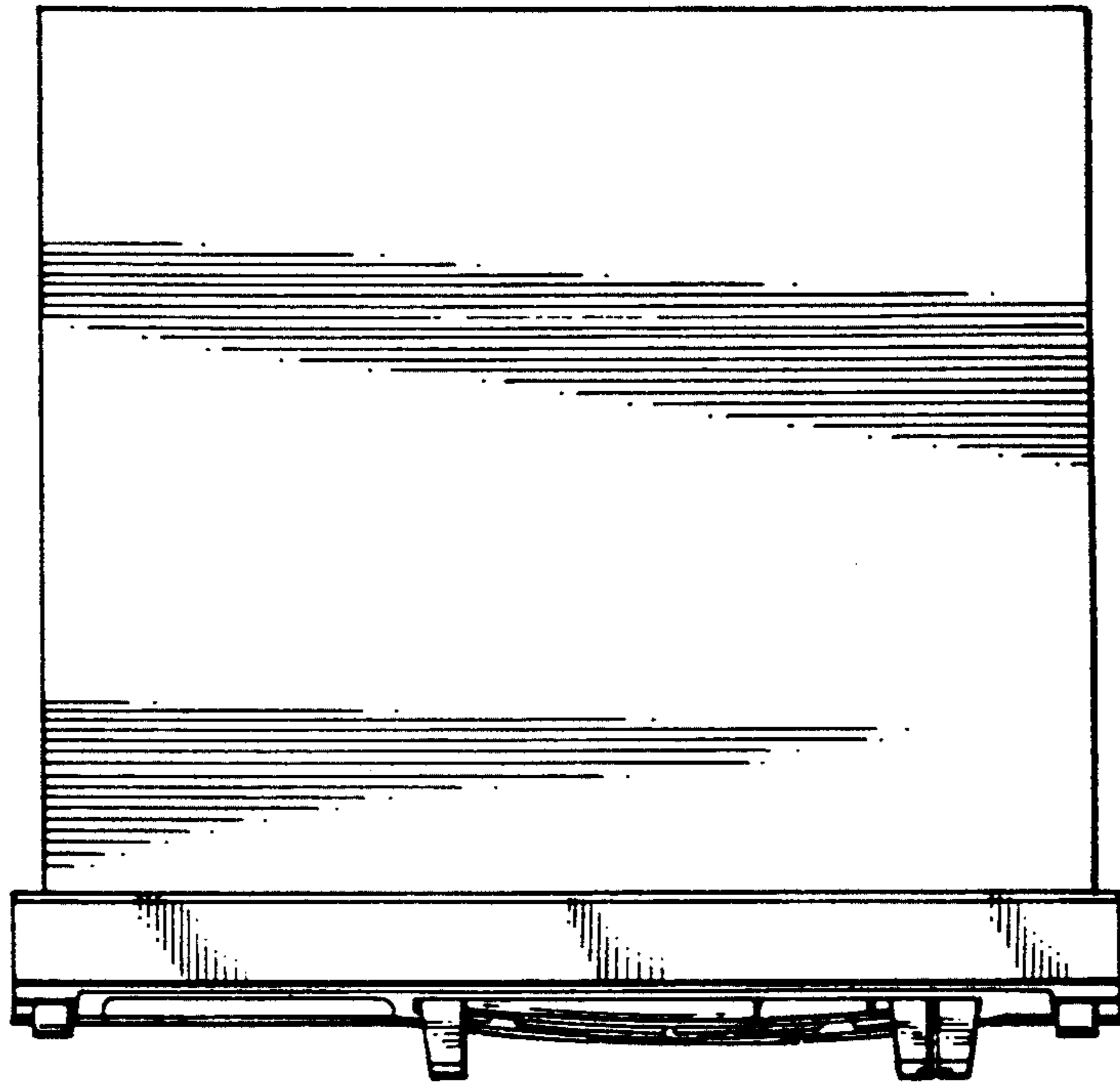
*FIG. 2*



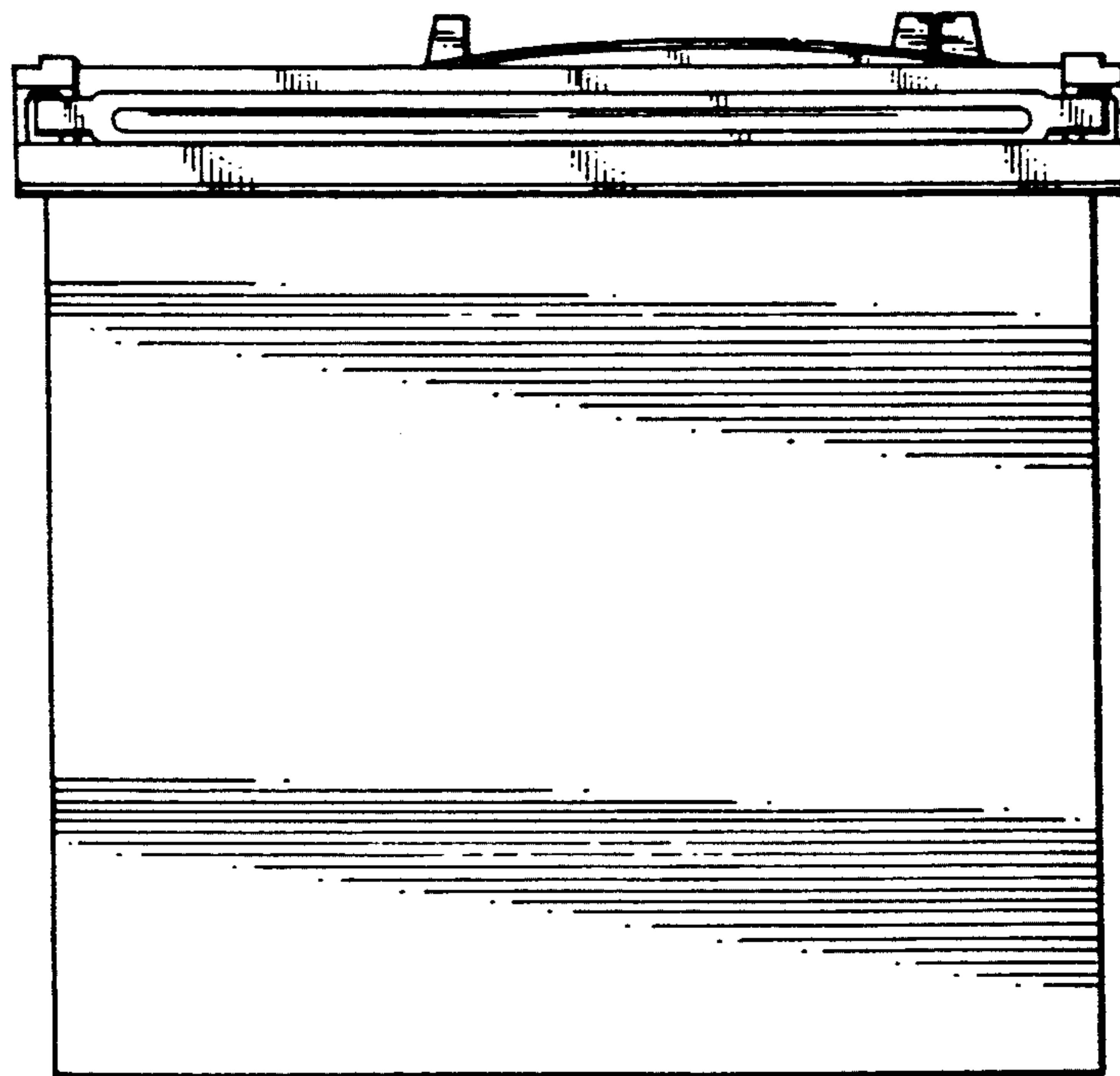
*FIG. 3*



*FIG. 4*



*FIG. 5*



*FIG. 6*

