



US00D345159S

United States Patent [19]

[11] Patent Number: **Des. 345,159**

Langlois

[45] Date of Patent: **** Mar. 15, 1994**

[54] **TELEPHONE SET**

[75] Inventor: **Michael Langlois, Kanata, Canada**

[73] Assignee: **Mitel Corporation, Kanata, Canada**

[**] Term: **14 Years**

[21] Appl. No.: **949,081**

[22] Filed: **Sep. 22, 1992**

[30] **Foreign Application Priority Data**

Mar. 23, 1992 [CA] Canada 2303922

[52] U.S. Cl. **D14/151**

[58] Field of Search 379/419, 428, 436, 440,
379/420; D14/140, 142, 151, 149, 150, 240, 241

[56] **References Cited**

U.S. PATENT DOCUMENTS

- D. 278,533 4/1985 Ando D14/151
- D. 306,296 2/1990 Hayashi D14/151
- D. 319,443 8/1991 Fuqua et al. D14/241 X

- D. 319,643 9/1991 Ando D14/151
- D. 321,188 10/1991 Gordon D14/151
- 4,759,056 7/1988 Akiyama D14/151 X

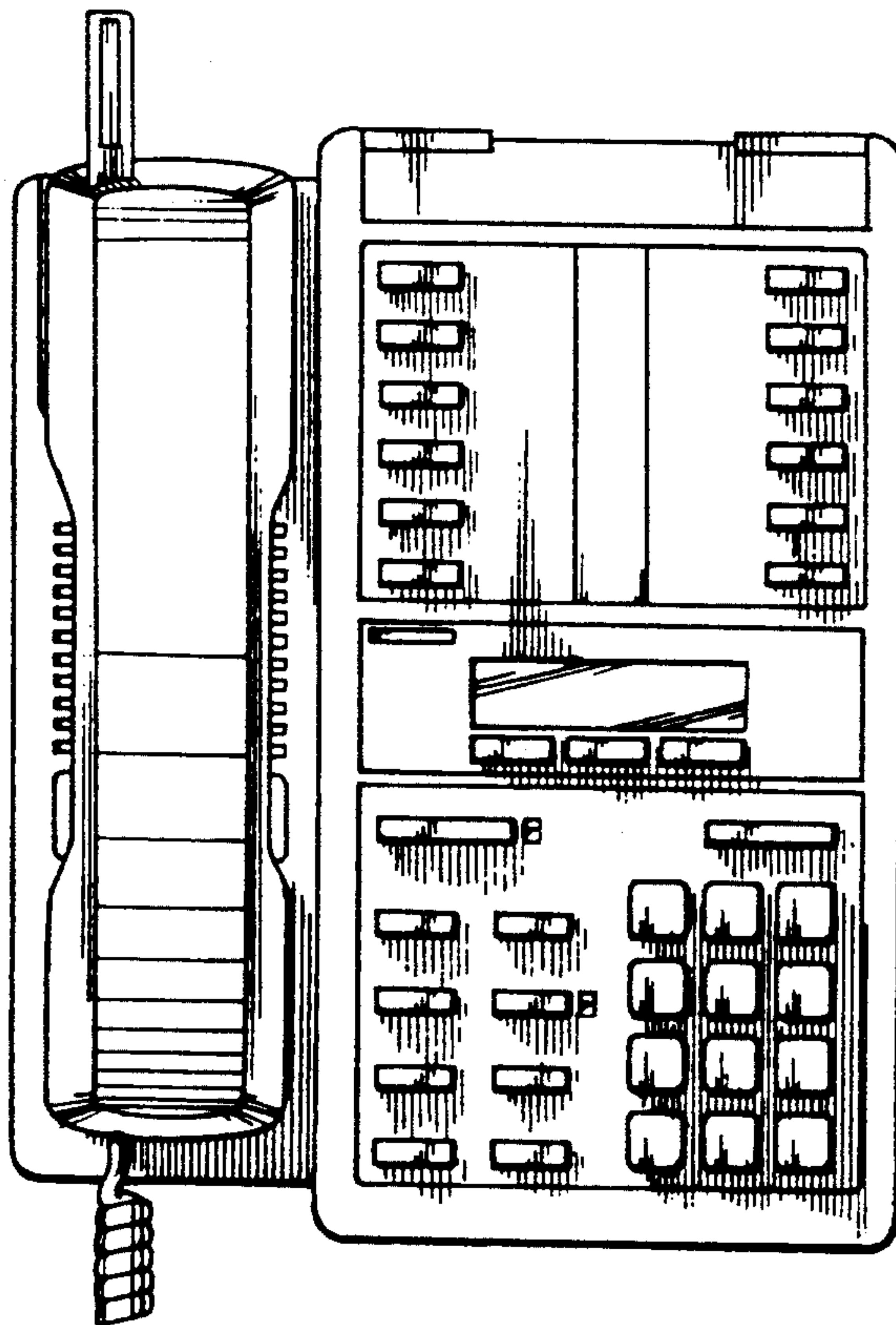
Primary Examiner—Alan P. Doulas
Assistant Examiner—Jeffrey Asch
Attorney, Agent, or Firm—Marks & Clerk

[57] **CLAIM**

The ornamental design for a telephone set, as shown and described.

DESCRIPTION

FIG. 1 is a top plan view of a telephone set showing my new design;
 FIG. 2 is a top plan view of the telephone set in an alternate condition for use;
 FIG. 3 is an elevation of the telephone set from the right side;
 FIG. 4 is an elevation of the telephone set from the left side;
 FIG. 5 is a view of the telephone set from one end; and,
 FIG. 6 is a view of the telephone set from the other end.



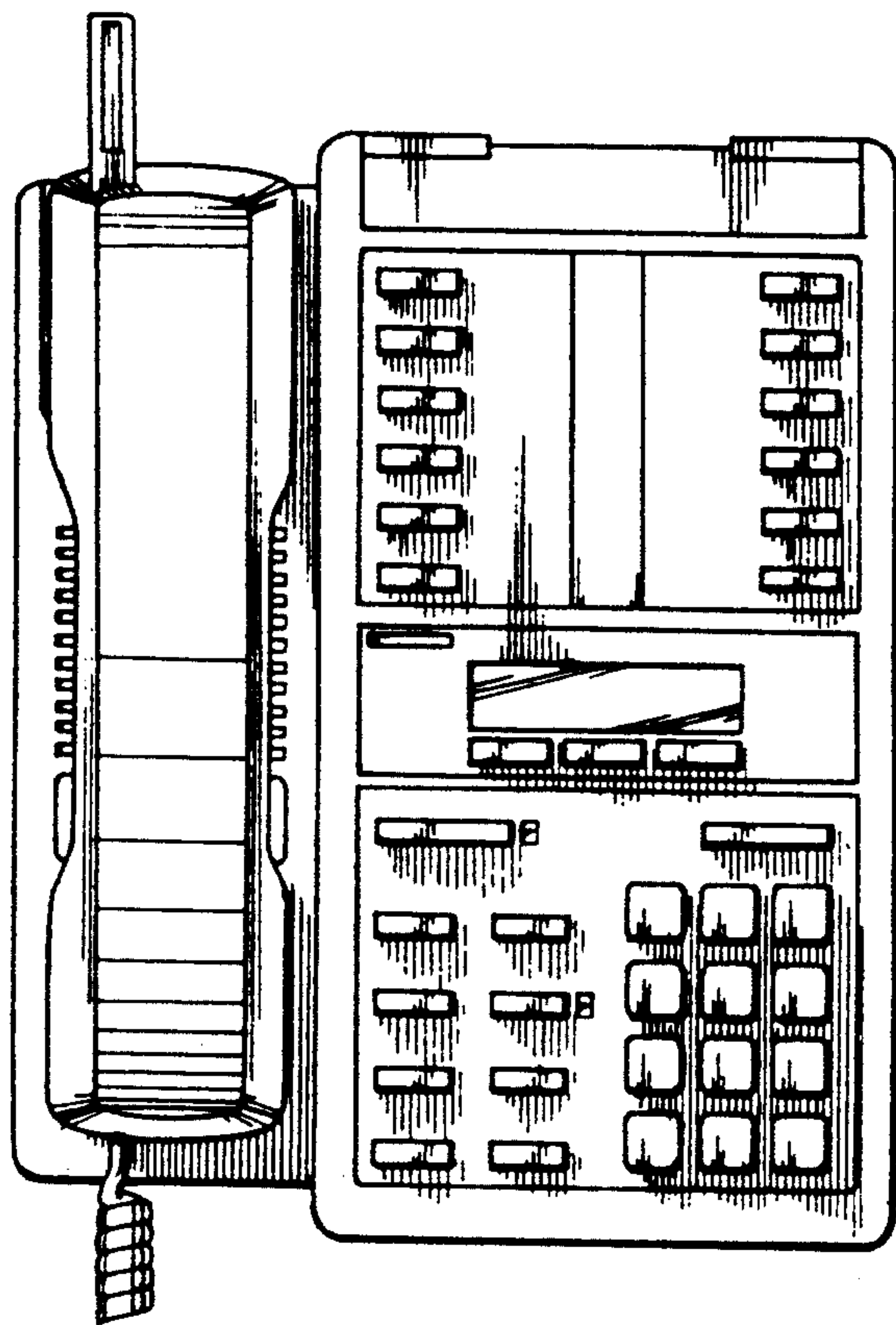


FIG. 1

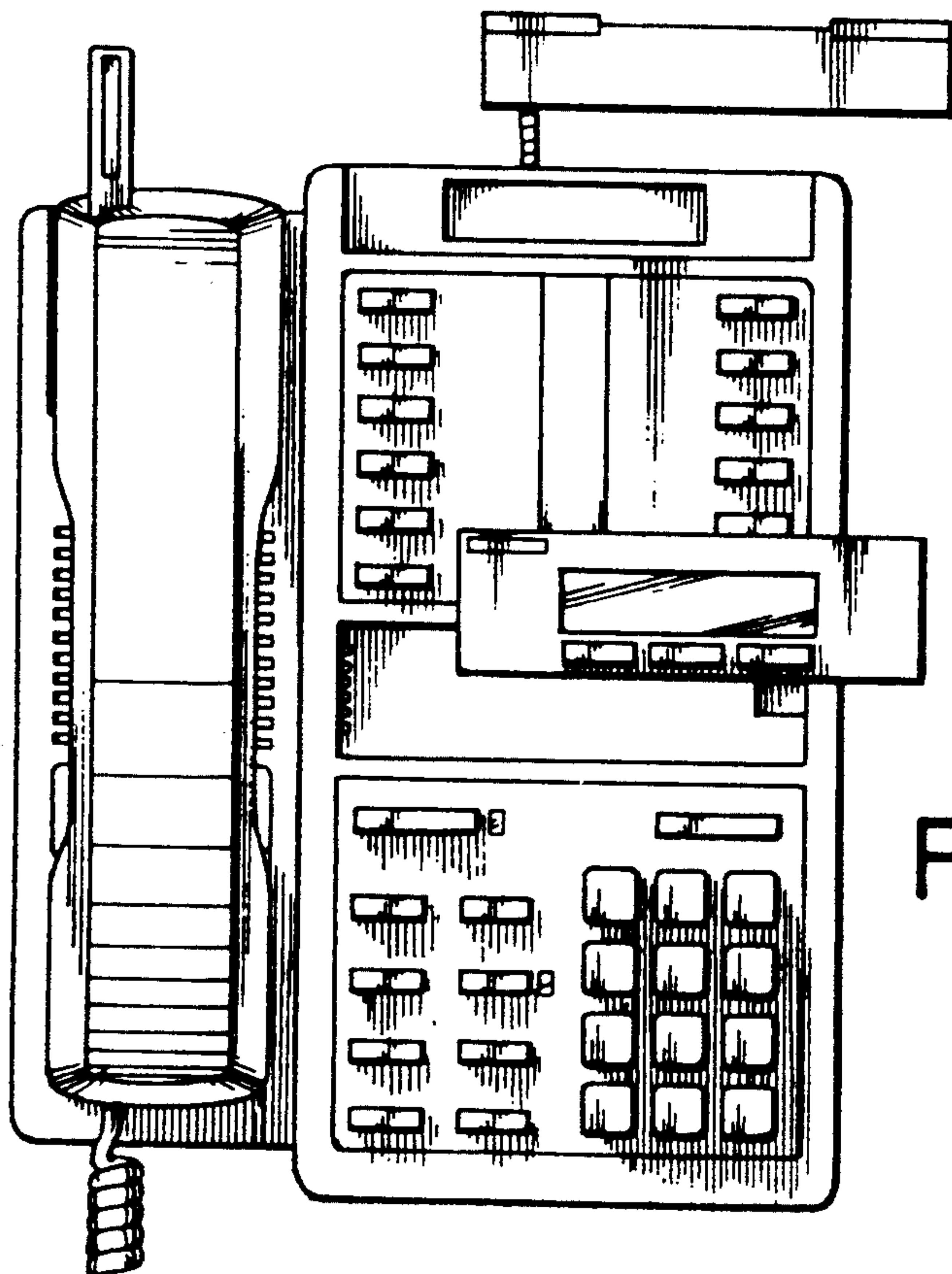


FIG. 2

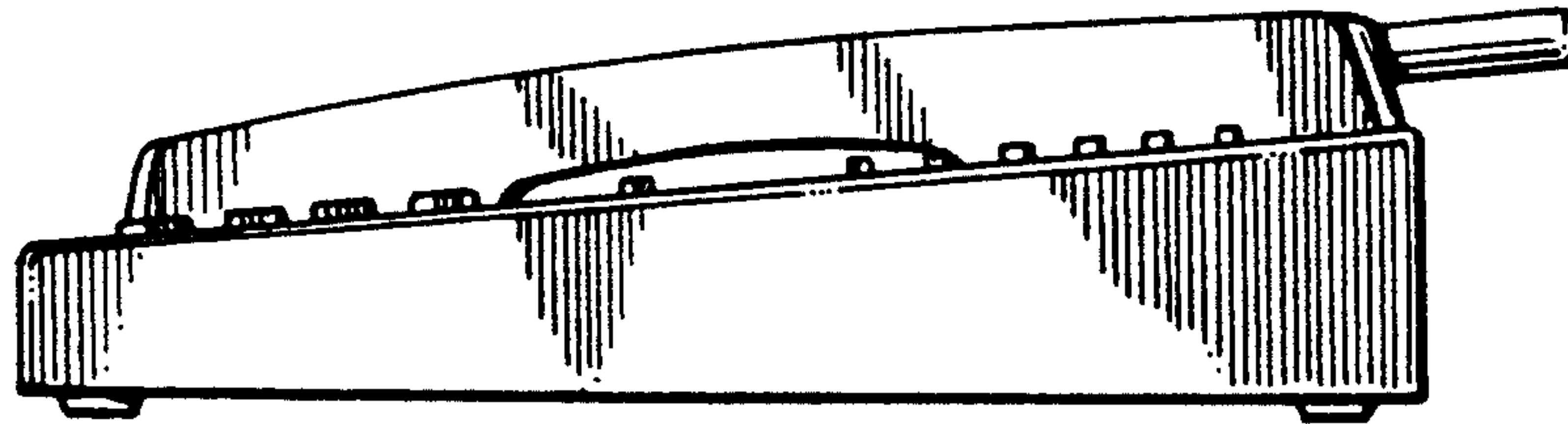


FIG. 3

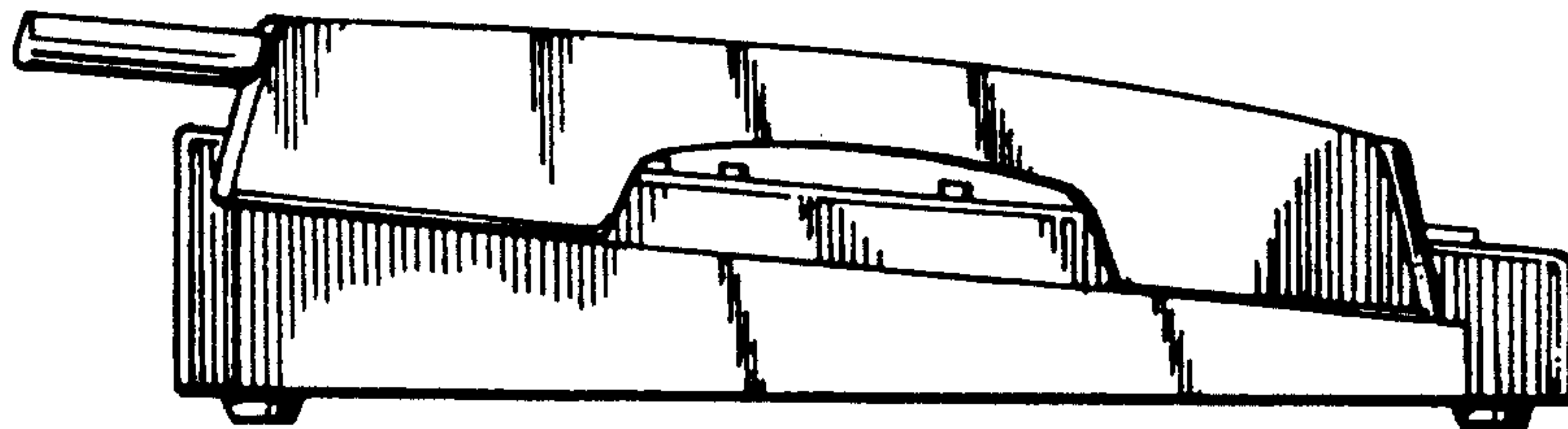


FIG. 4

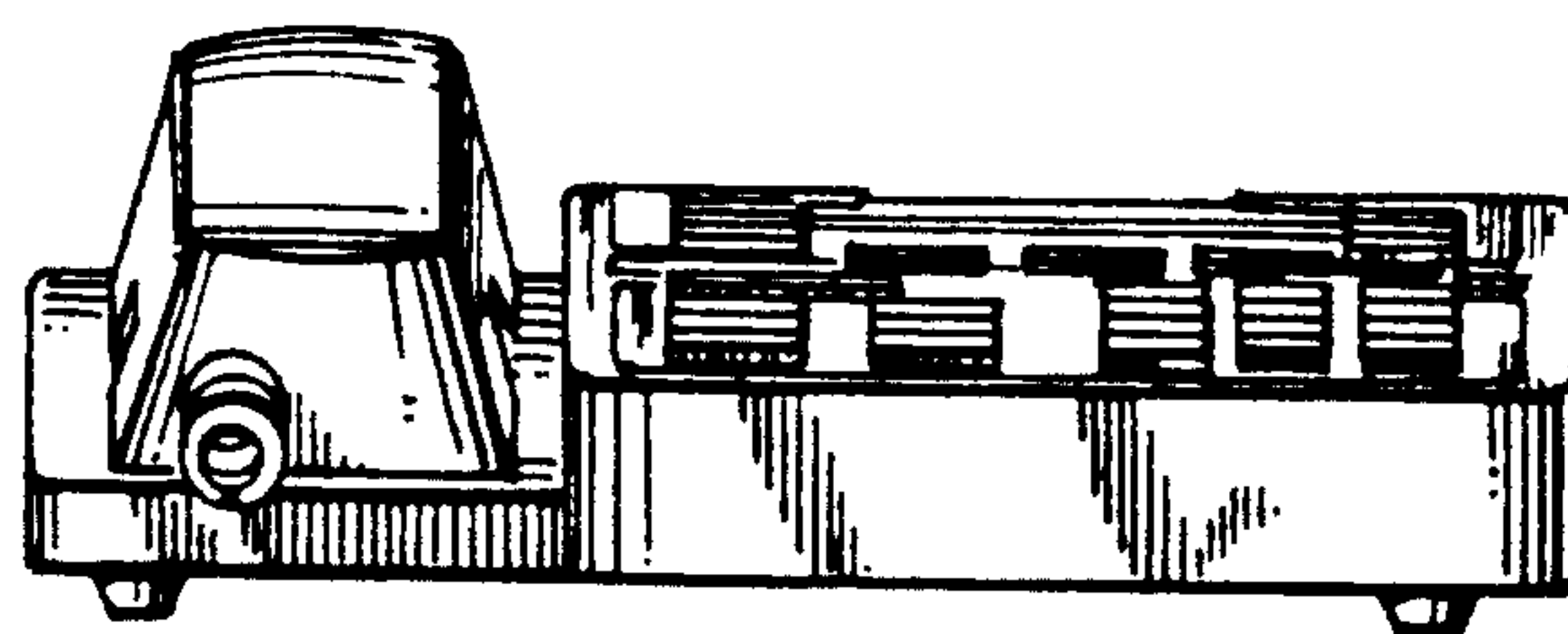


FIG. 5

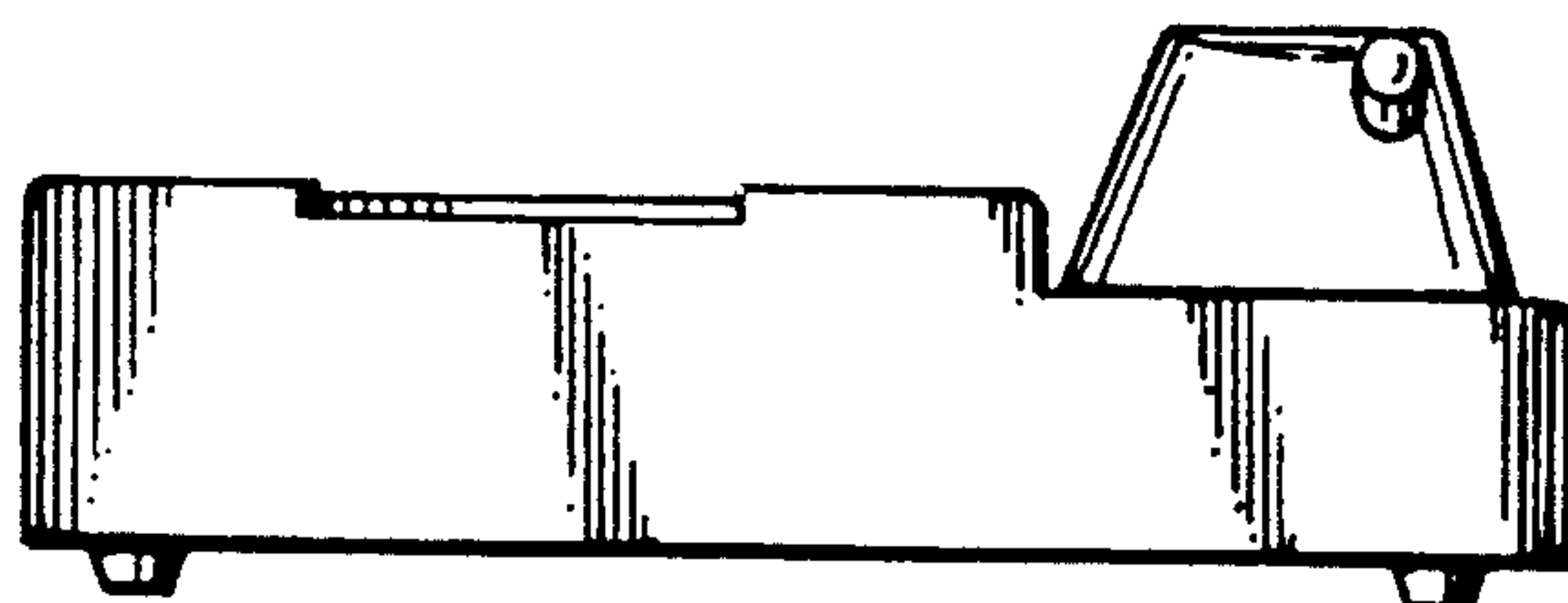


FIG. 6