



US00D345154S

United States Patent [19]

Kashiwabara et al.

[11] Patent Number: **Des. 345,154**

[45] Date of Patent: **** Mar. 15, 1994**

[54] **FACSIMILE TRANSCEIVER**

[75] Inventors: **Masahiko Kashiwabara**, Yokohama;
Shin-ichi Hiroki, Tokyo, both of
Japan

[73] Assignee: **Kabushiki Kaisha Toshiba**, Kawasaki,
Japan

[**] Term: **14 Years**

[21] Appl. No.: **2,299**

[22] Filed: **Dec. 8, 1992**

[30] **Foreign Application Priority Data**

Jun. 8, 1992 [JP] Japan 4-16643

[52] U.S. Cl. **D14/118**

[58] Field of Search 358/400-404;
D14/116, 118, 124, 299

[56] **References Cited**

U.S. PATENT DOCUMENTS

D. 300,139 7/1989 Nishio D14/118
D. 313,983 1/1991 Hara D14/118

D. 315,345 3/1991 Hara et al. D14/118
D. 331,751 12/1992 Short D14/118

Primary Examiner—Theodore M. Shooman
Attorney, Agent, or Firm—Oblon, Spivak, McClelland,
Maier & Neustadt

[57] **CLAIM**

The ornamental design for a facsimile transceiver, as shown and described.

DESCRIPTION

FIG. 1 is a top, front and right side perspective view of a facsimile transceiver, showing our new design; FIG. 2 is a front elevational view thereof; FIG. 3 is a top plan view thereof; FIG. 4 is a bottom plan view thereof; FIG. 5 is a right side elevational view thereof; FIG. 6 is a left side elevational view thereof; FIG. 7 is a rear elevational view thereof; FIG. 8 is a top plan view thereof, with its handset removed; and, FIG. 9 is a left side elevational view thereof, with its handset removed.

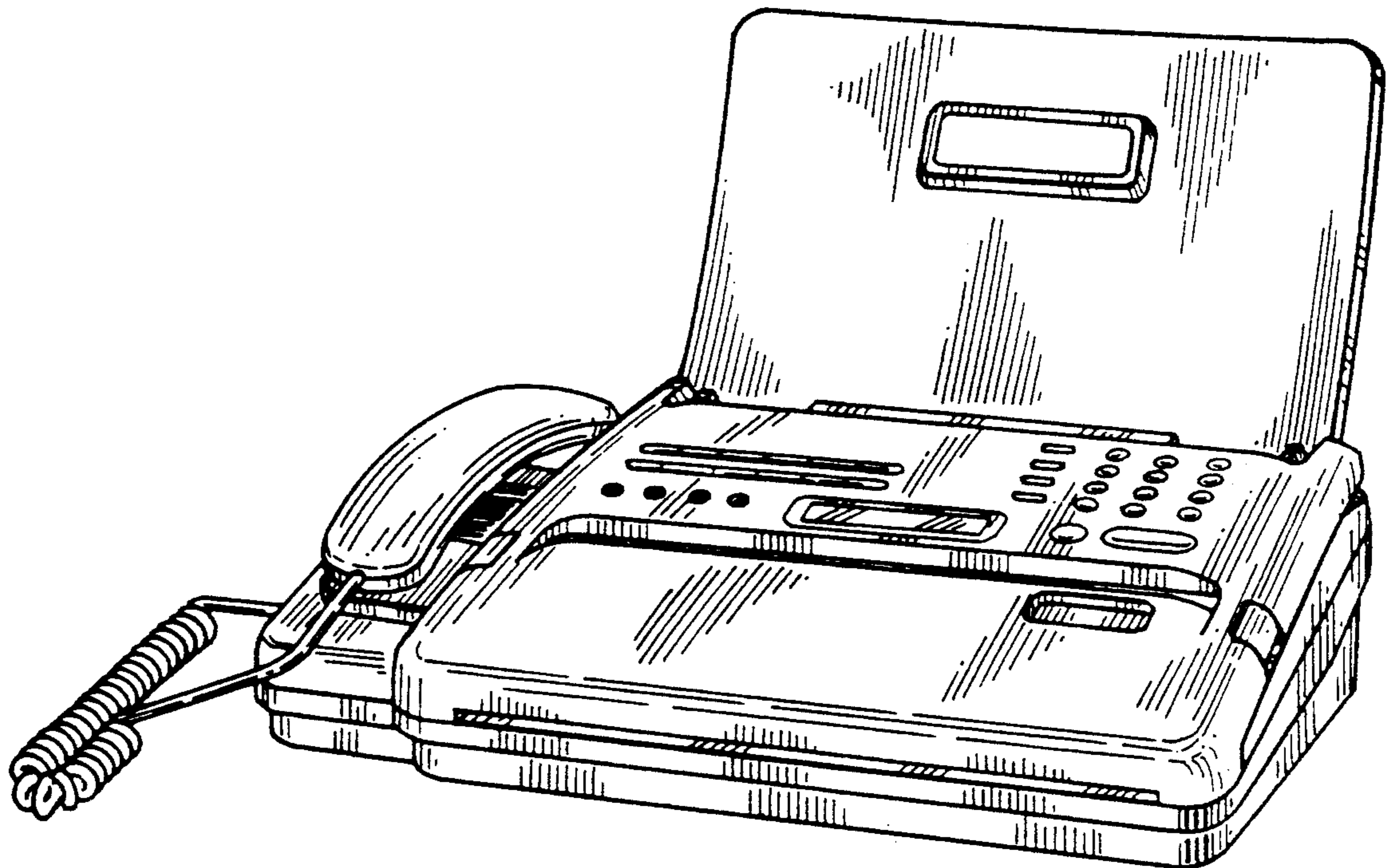


FIG. 1

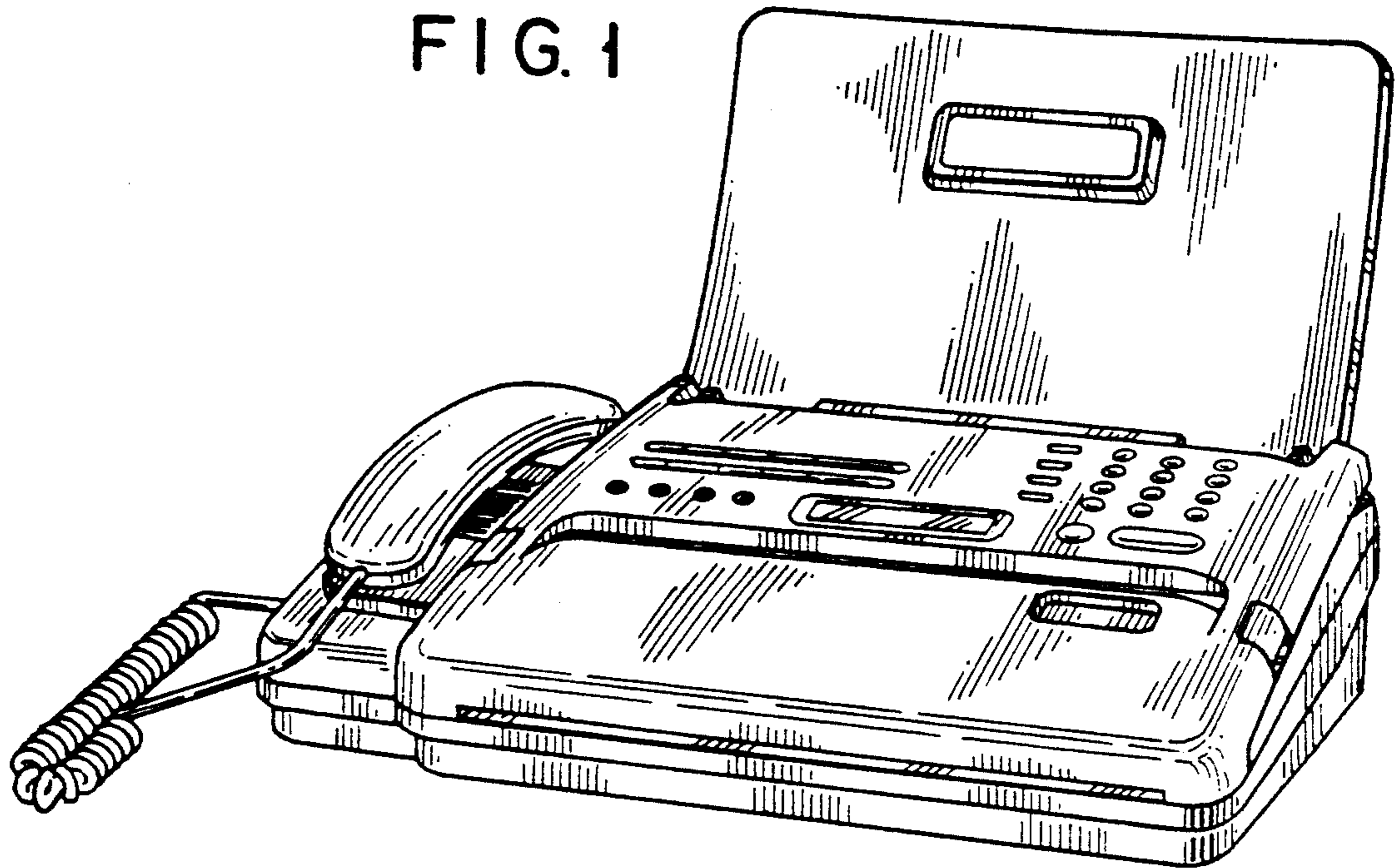


FIG. 2

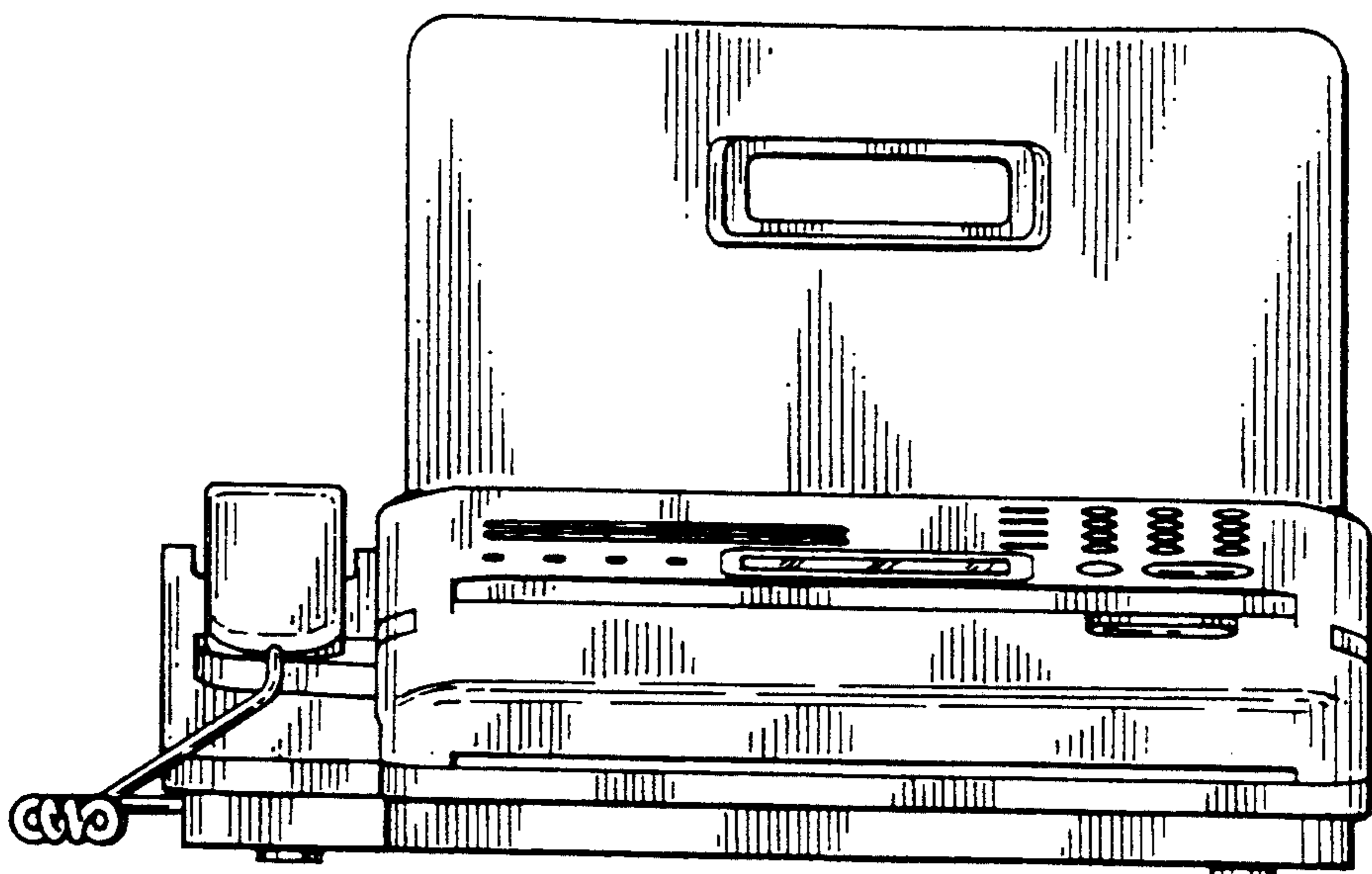


FIG. 3

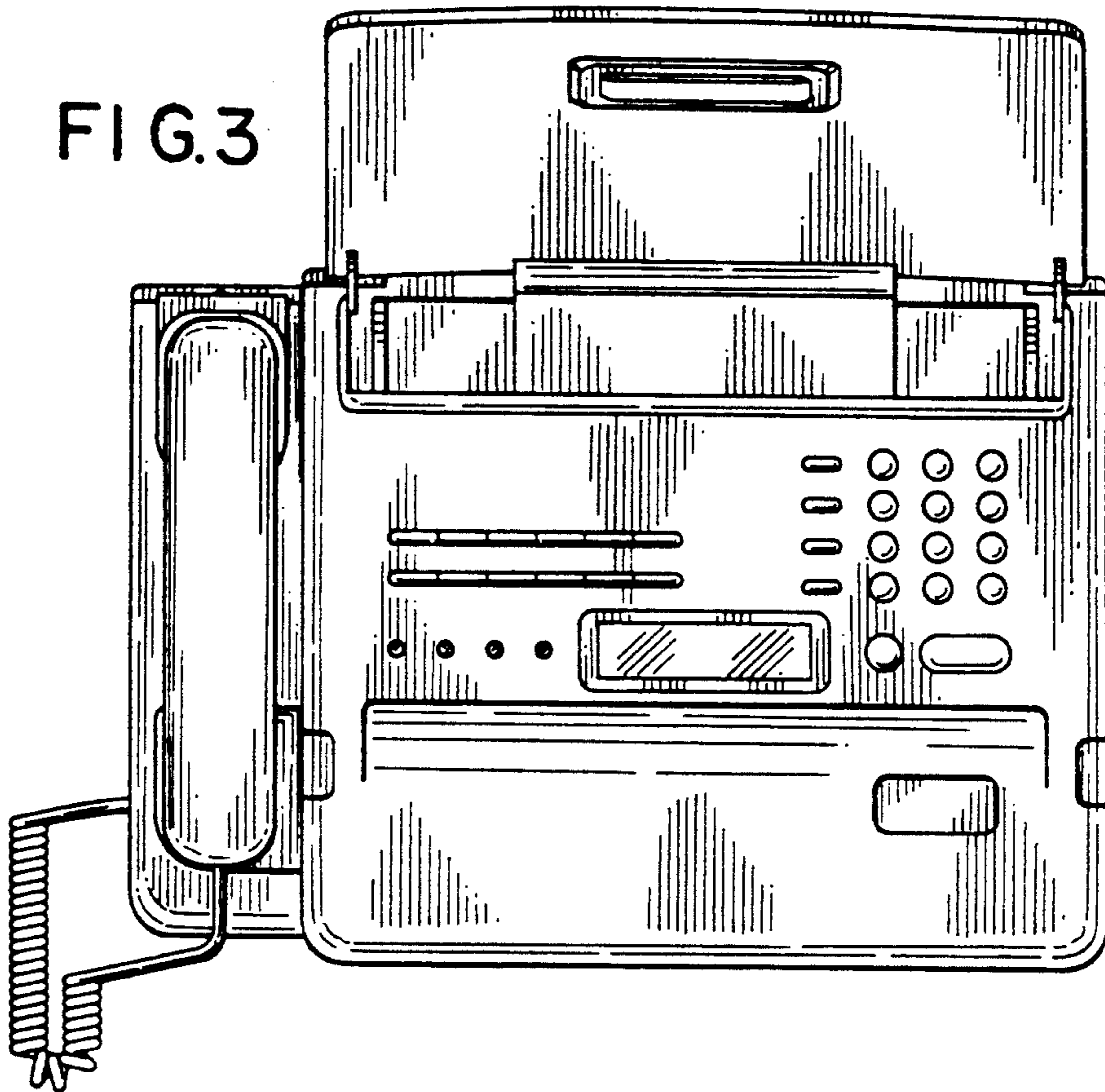


FIG. 4

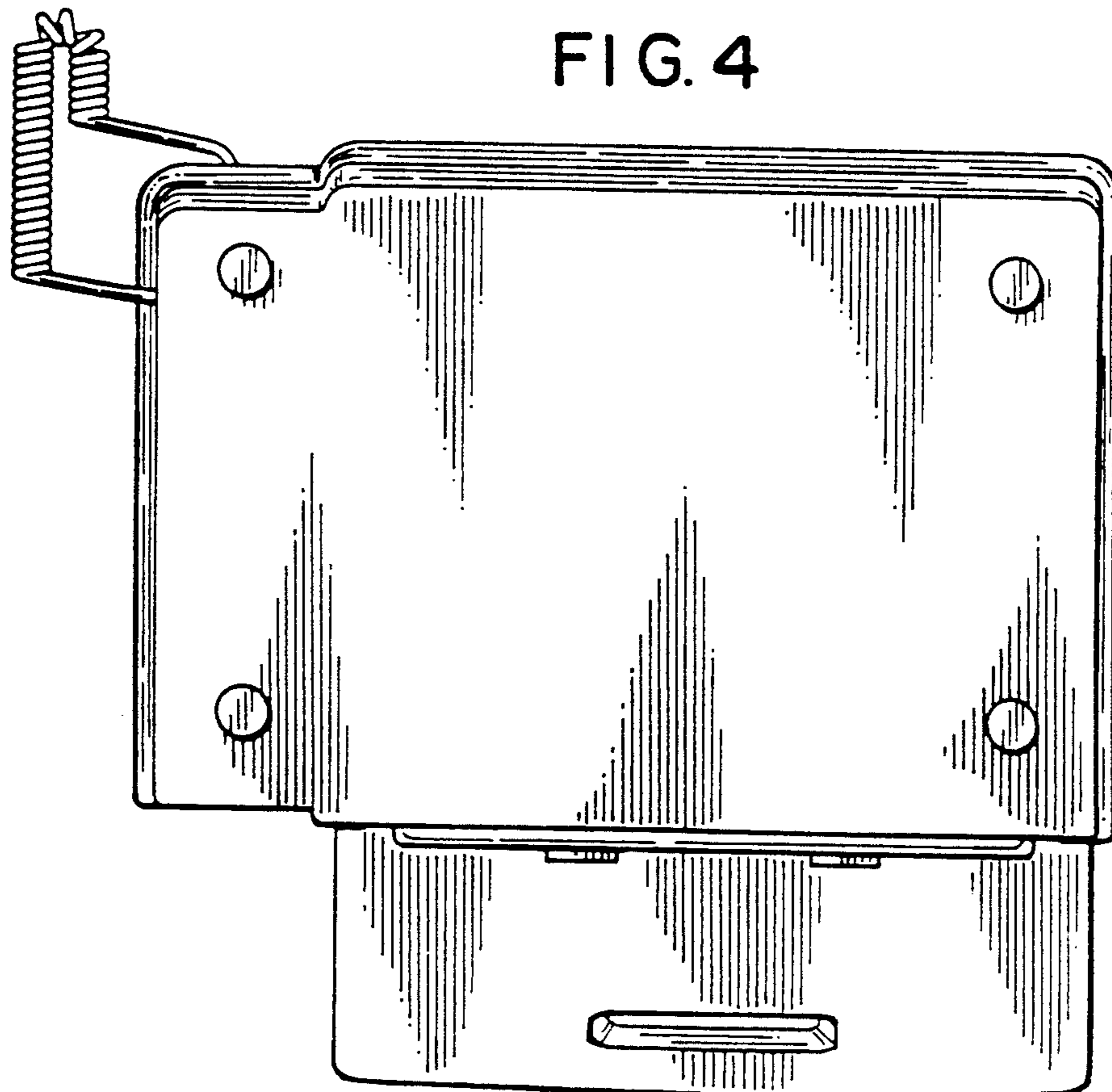


FIG. 5

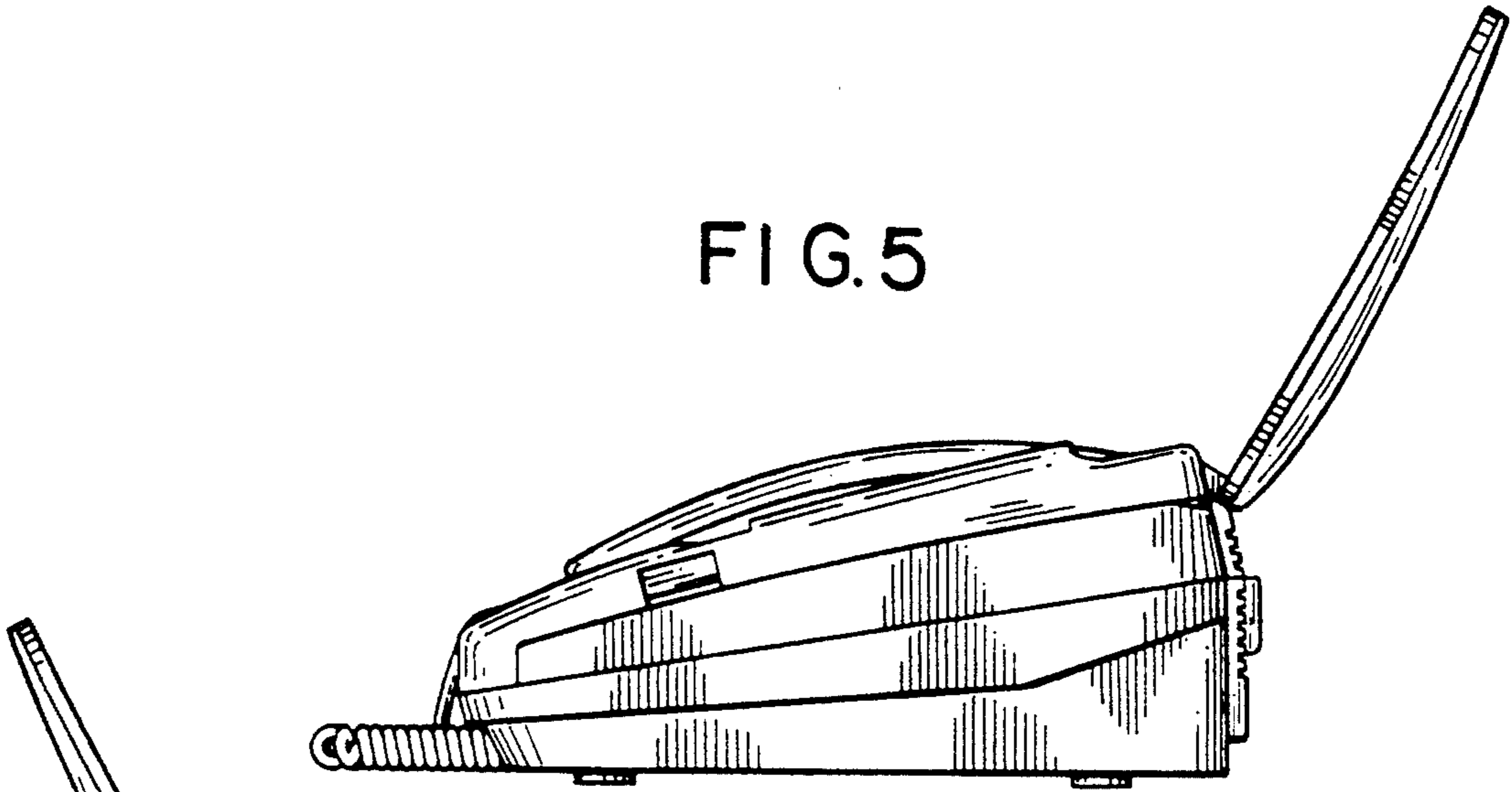


FIG. 6

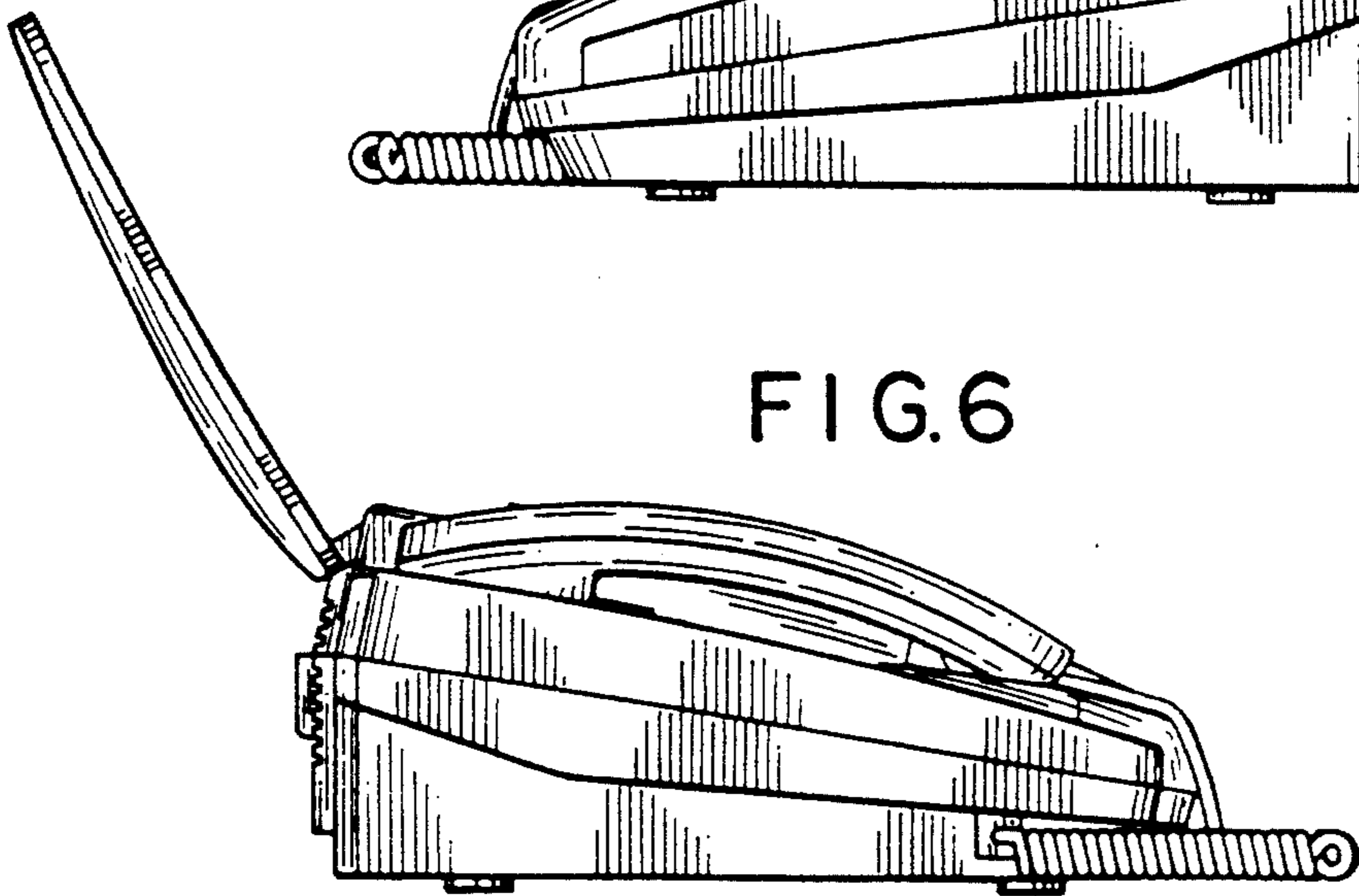


FIG. 7

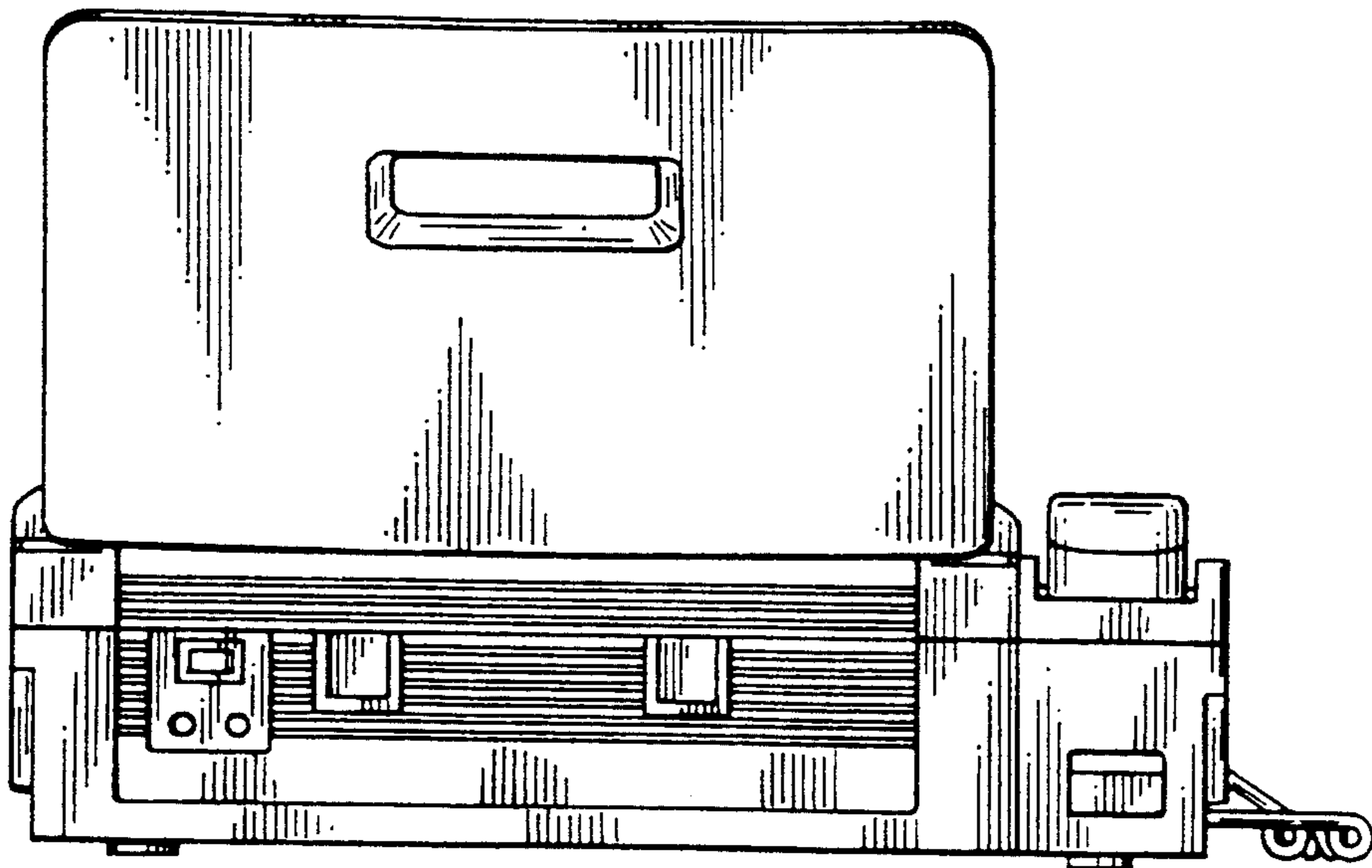


FIG. 8

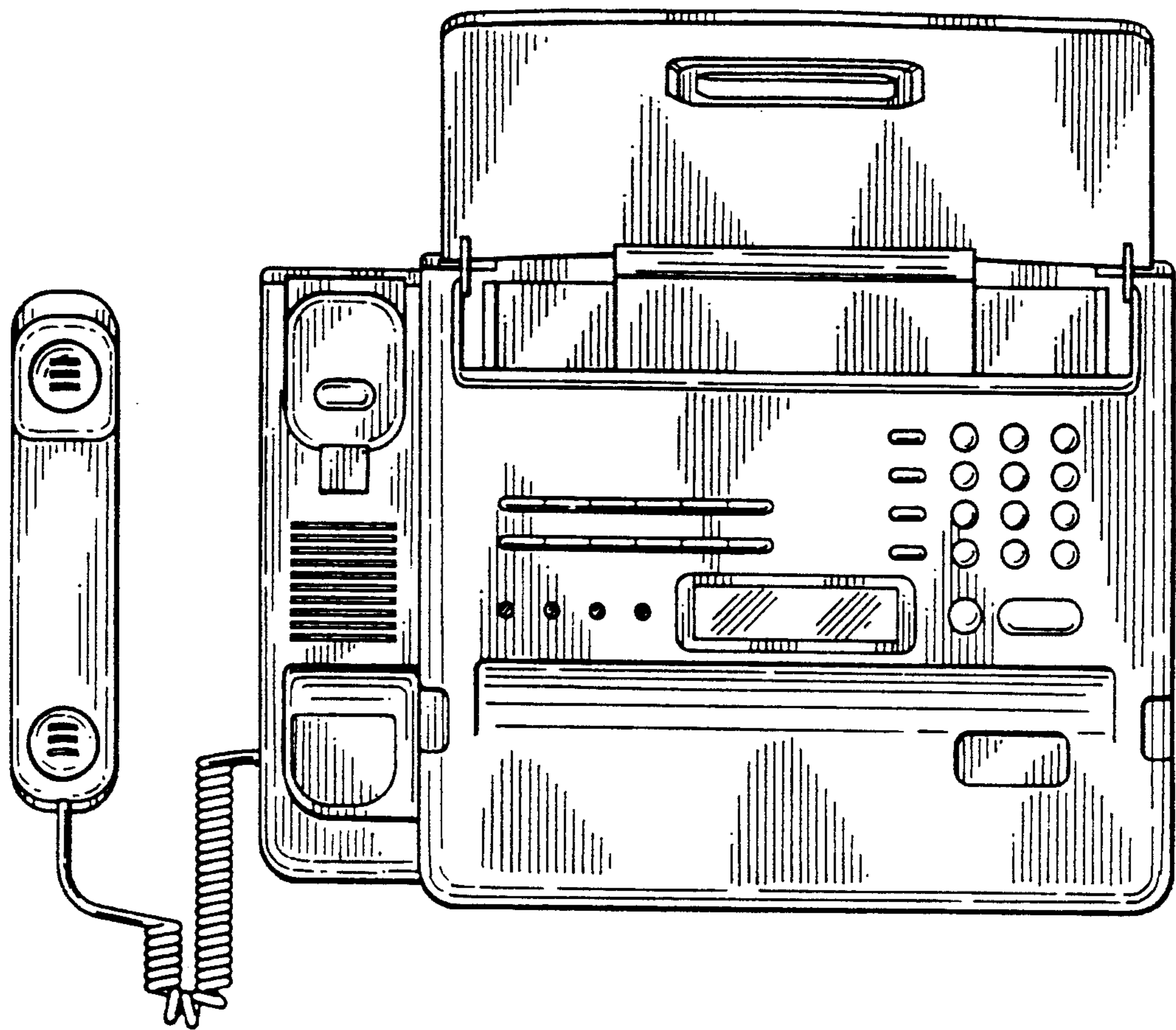


FIG. 9

