



US00D345153S

# United States Patent [19]

[11] Patent Number: **Des. 345,153**

Hiroki et al.

[45] Date of Patent: **\*\* Mar. 15, 1994**

[54] **FACSIMILE TRANSCEIVER**

[75] Inventors: **Shin-ichi Hiroki; Kimiko Kageyama,**  
both of Tokyo, Japan

[73] Assignee: **Kabushiki Kaisha Toshiba, Kawasaki,**  
Japan

[\*\*] Term: **14 Years**

[21] Appl. No.: **1,548**

[22] Filed: **Nov. 18, 1992**

[30] **Foreign Application Priority Data**

May 21, 1992 [JP] Japan ..... 4-14550

May 21, 1992 [JP] Japan ..... 4-14551

[52] U.S. Cl. .... **D14/118**

[58] Field of Search ..... 358/400-404;  
D14/116, 118, 124, 299

[56] **References Cited**

**U.S. PATENT DOCUMENTS**

D. 313,986 1/1991 Matsumoto ..... D14/118

D. 314,955 2/1991 Watanabe ..... D14/118

D. 331,923 12/1992 Hiroki et al. .... D14/118

D. 338,197 8/1993 Miyazawa et al. .... D14/118

*Primary Examiner*—Theodore M. Shooman  
*Attorney, Agent, or Firm*—Oblon, Spivak, McClelland,  
Maier & Neustadt

[57] **CLAIM**

The ornamental design for a facsimile transceiver, as shown and described.

**DESCRIPTION**

FIG. 1 is a top, front and right side perspective view of a facsimile transceiver showing our new design, with the paper trays withdrawn;

FIG. 2 is a front elevational view thereof;

FIG. 3 is a top plan view thereof;

FIG. 4 is a right side elevational view thereof;

FIG. 5 is a left side elevational view thereof;

FIG. 6 is a rear elevational view thereof;

FIG. 7 is a bottom plan view thereof;

FIG. 8 is a second embodiment of FIG. 1;

FIG. 9 is a front elevational view thereof;

FIG. 10 is a top plan view thereof;

FIG. 11 is a right side elevational view thereof;

FIG. 12 is a left side elevational view thereof;

FIG. 13 is a rear elevational view thereof; and,

FIG. 14 is a bottom plan view thereof.

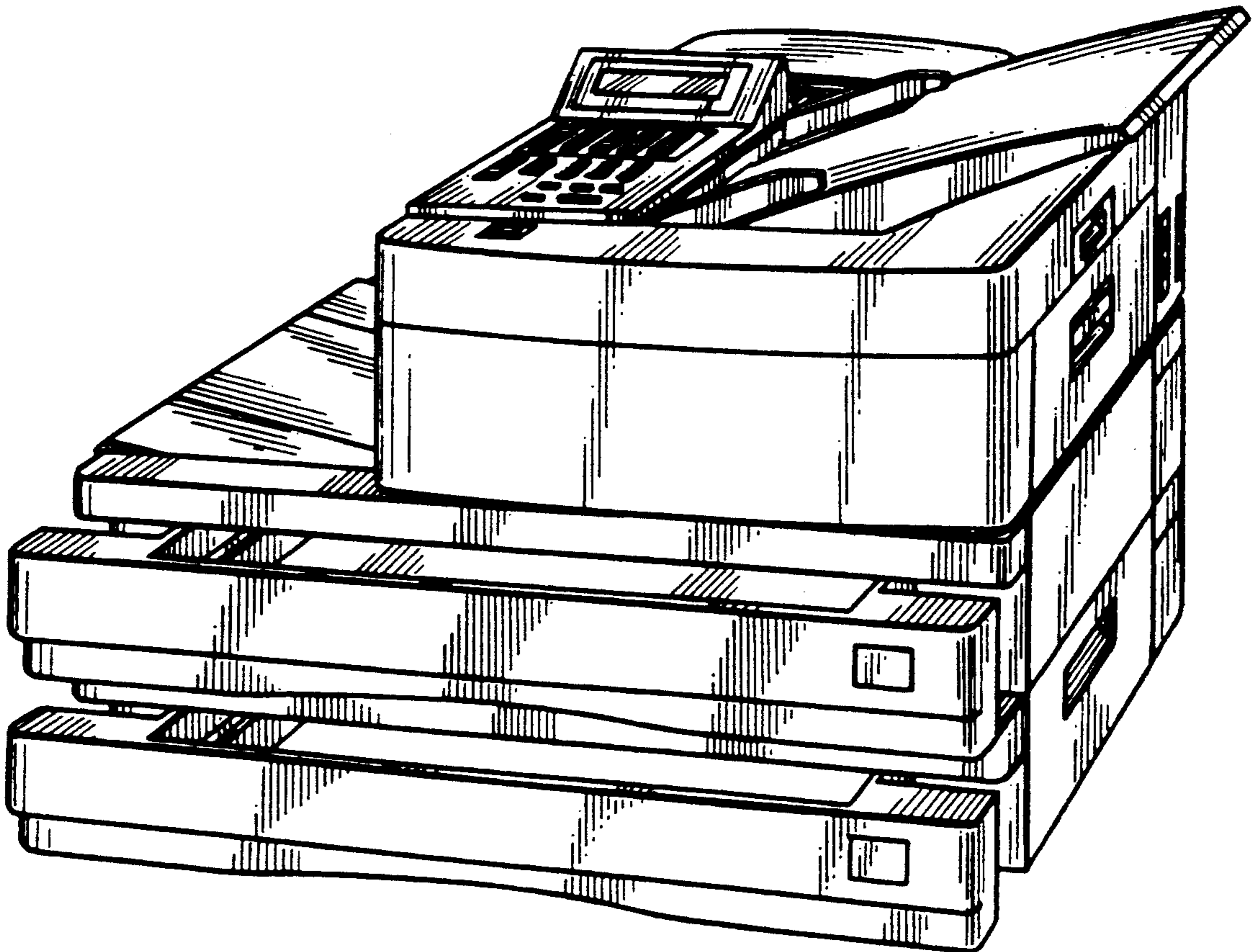


FIG. 1

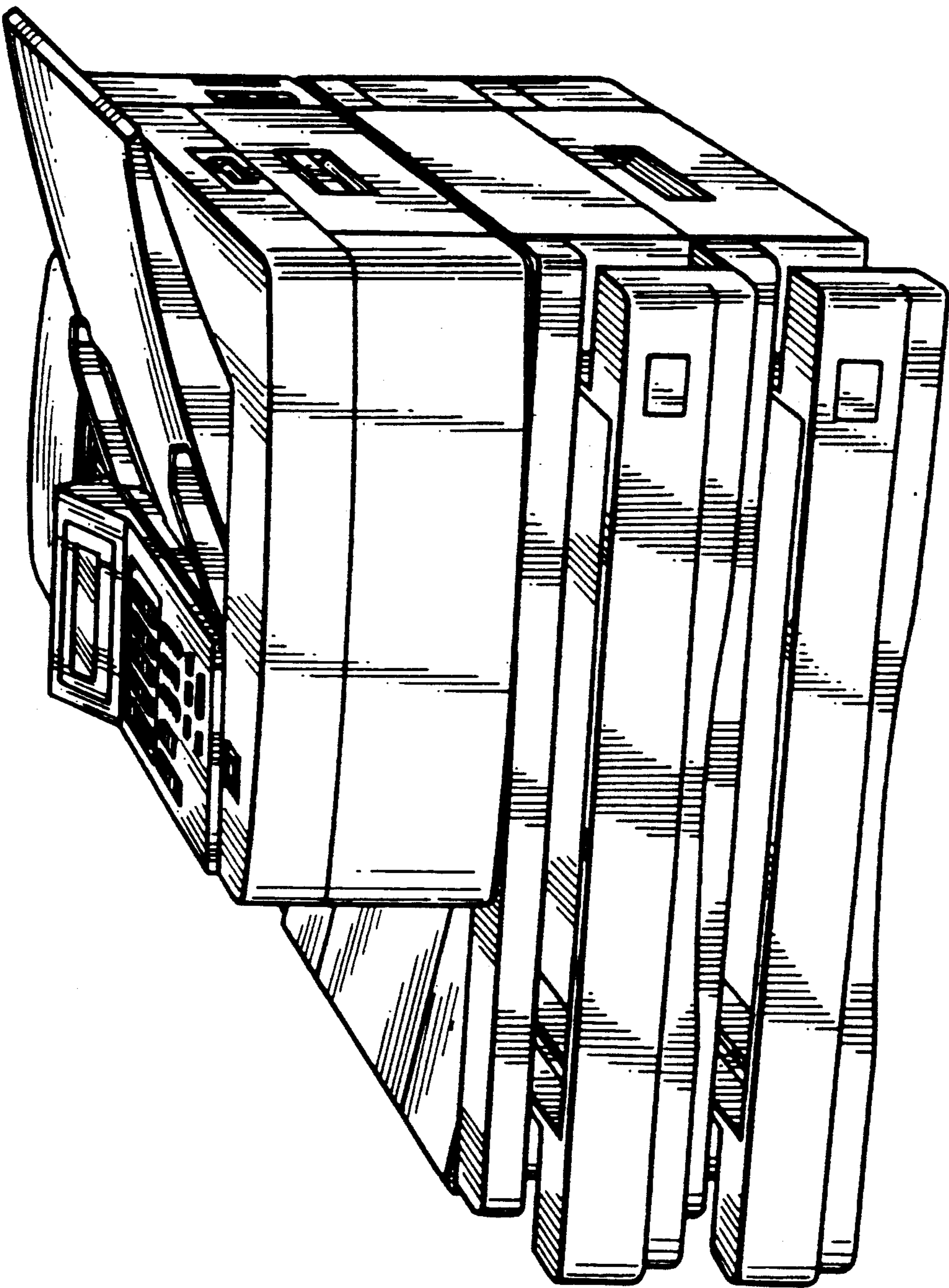


FIG. 2

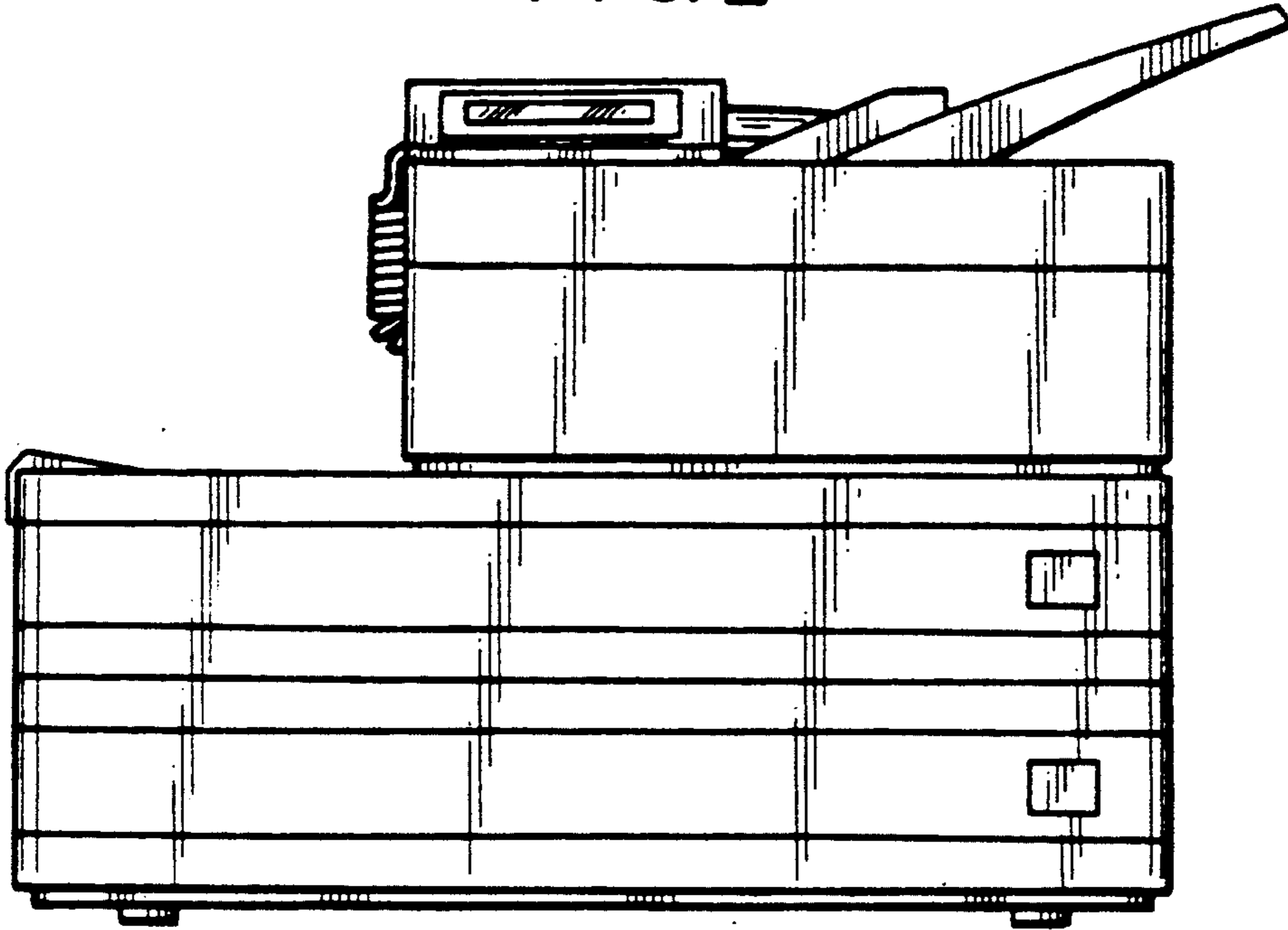


FIG. 3

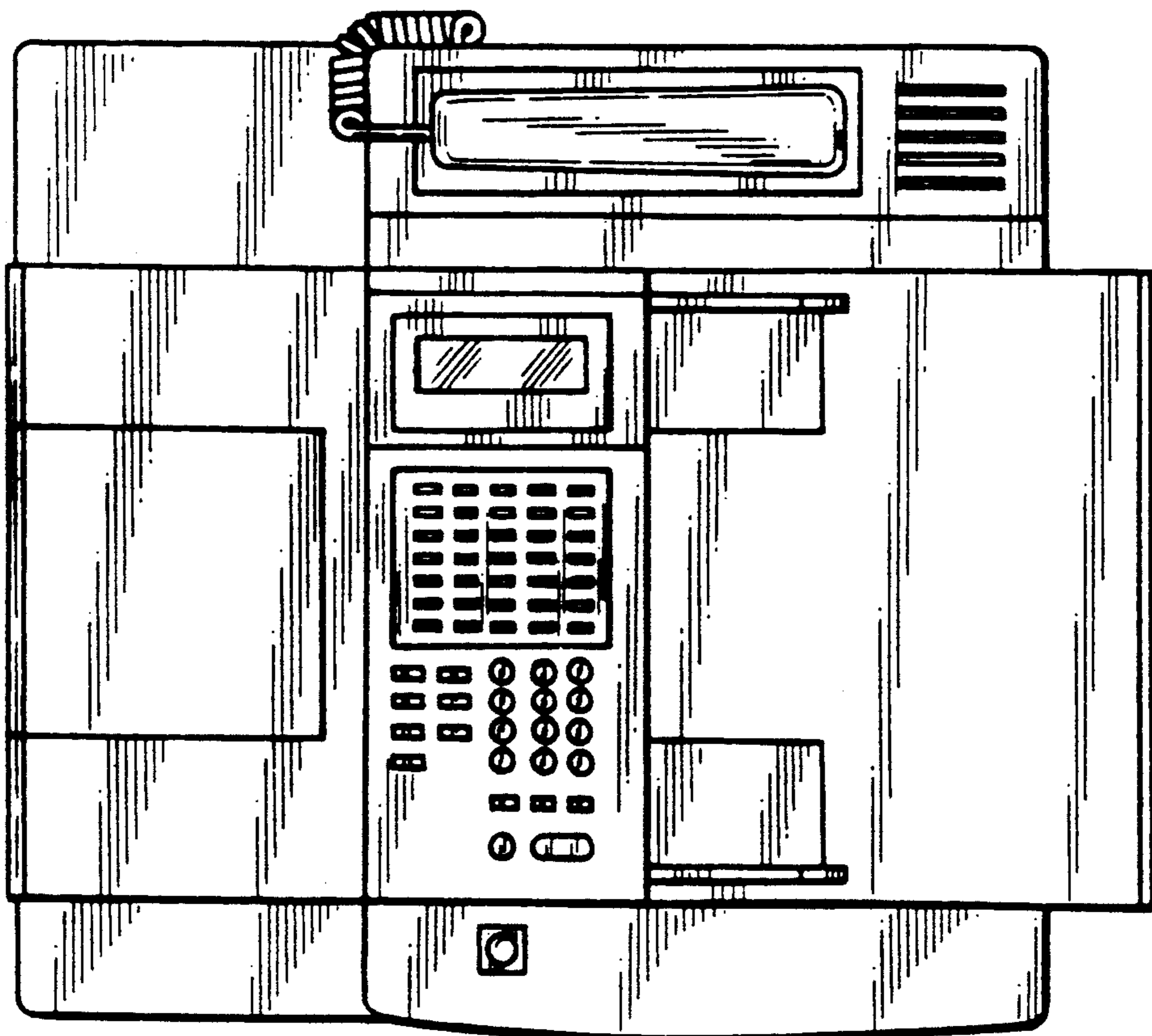


FIG. 4

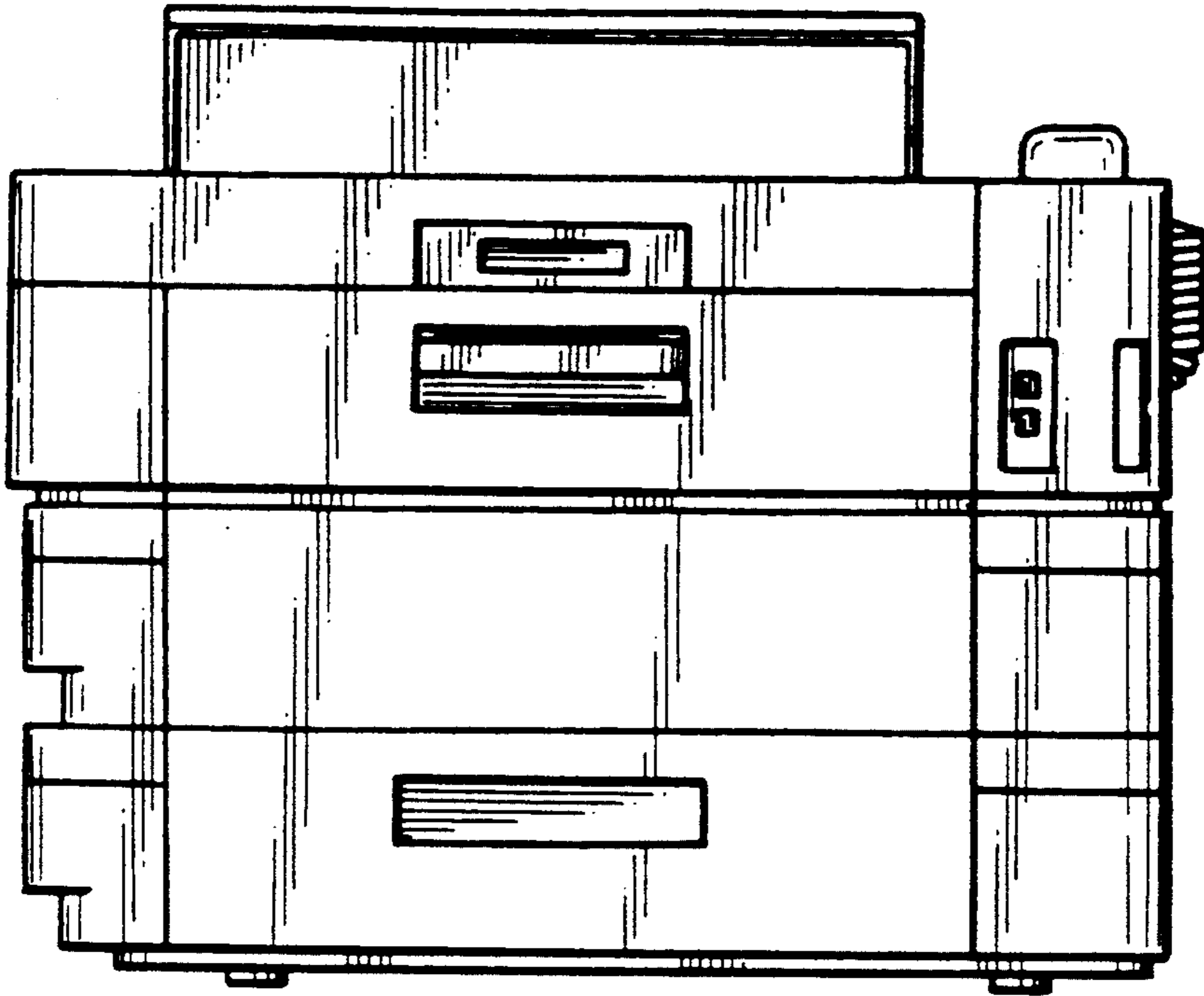


FIG. 5

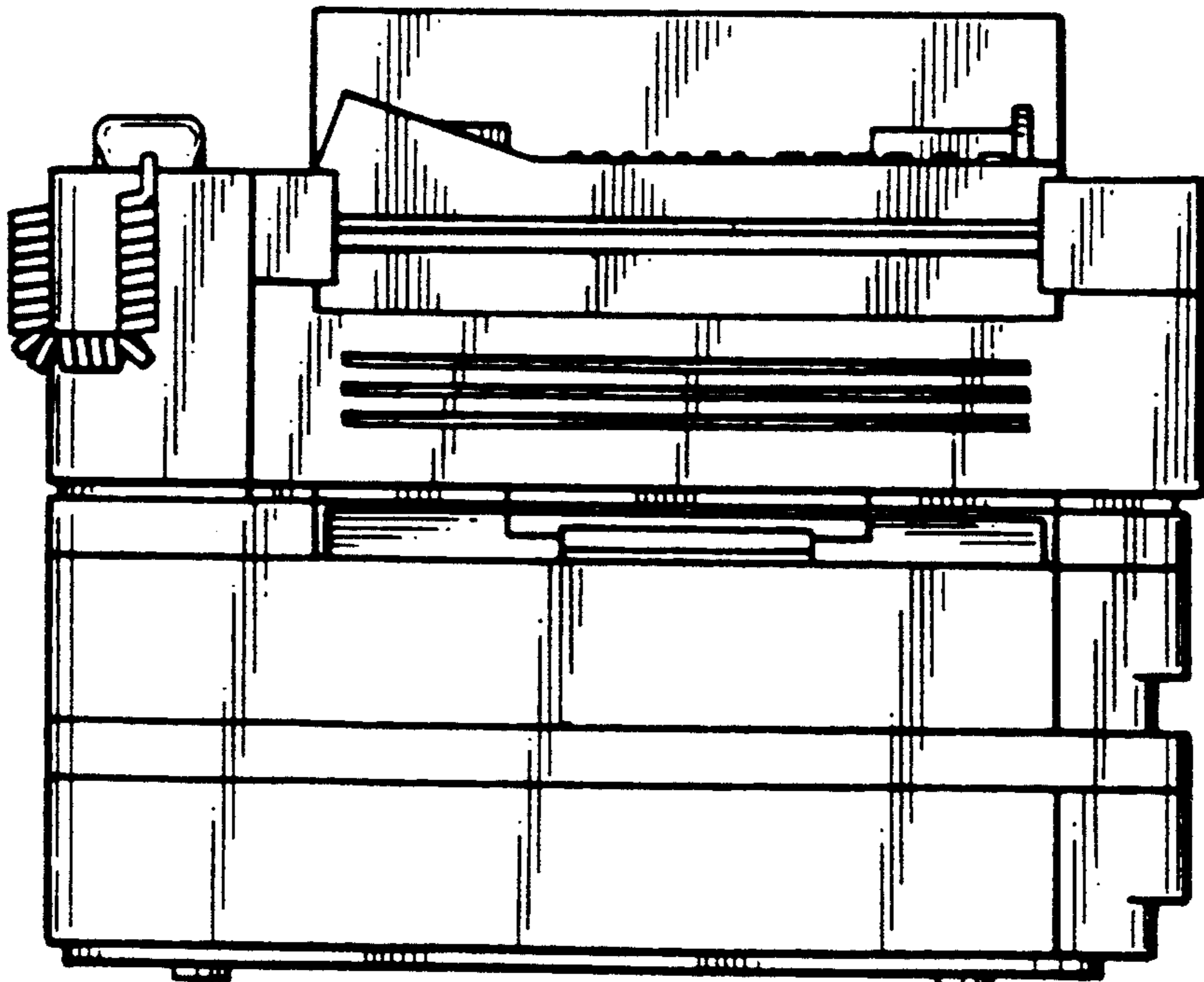


FIG. 6

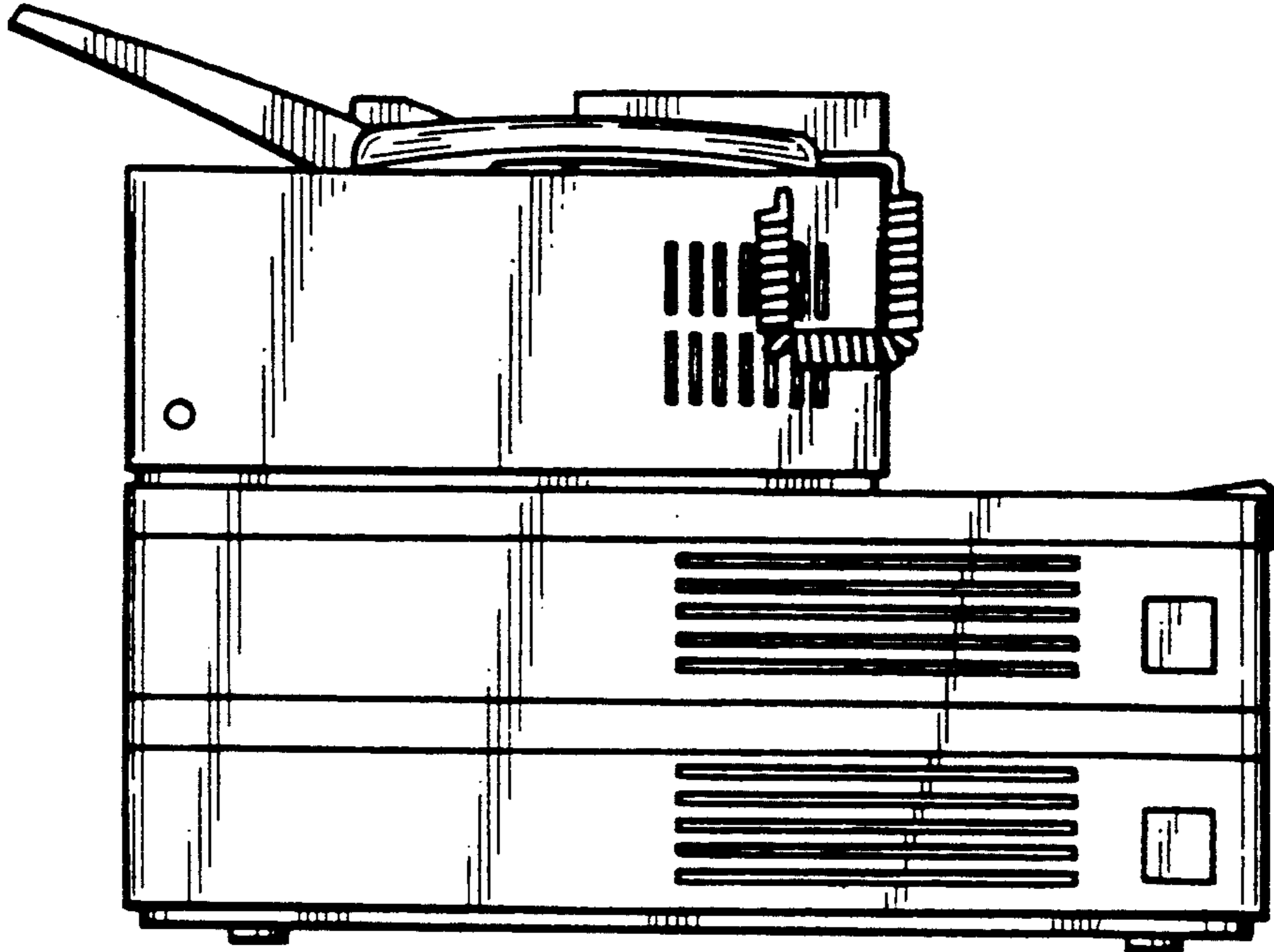
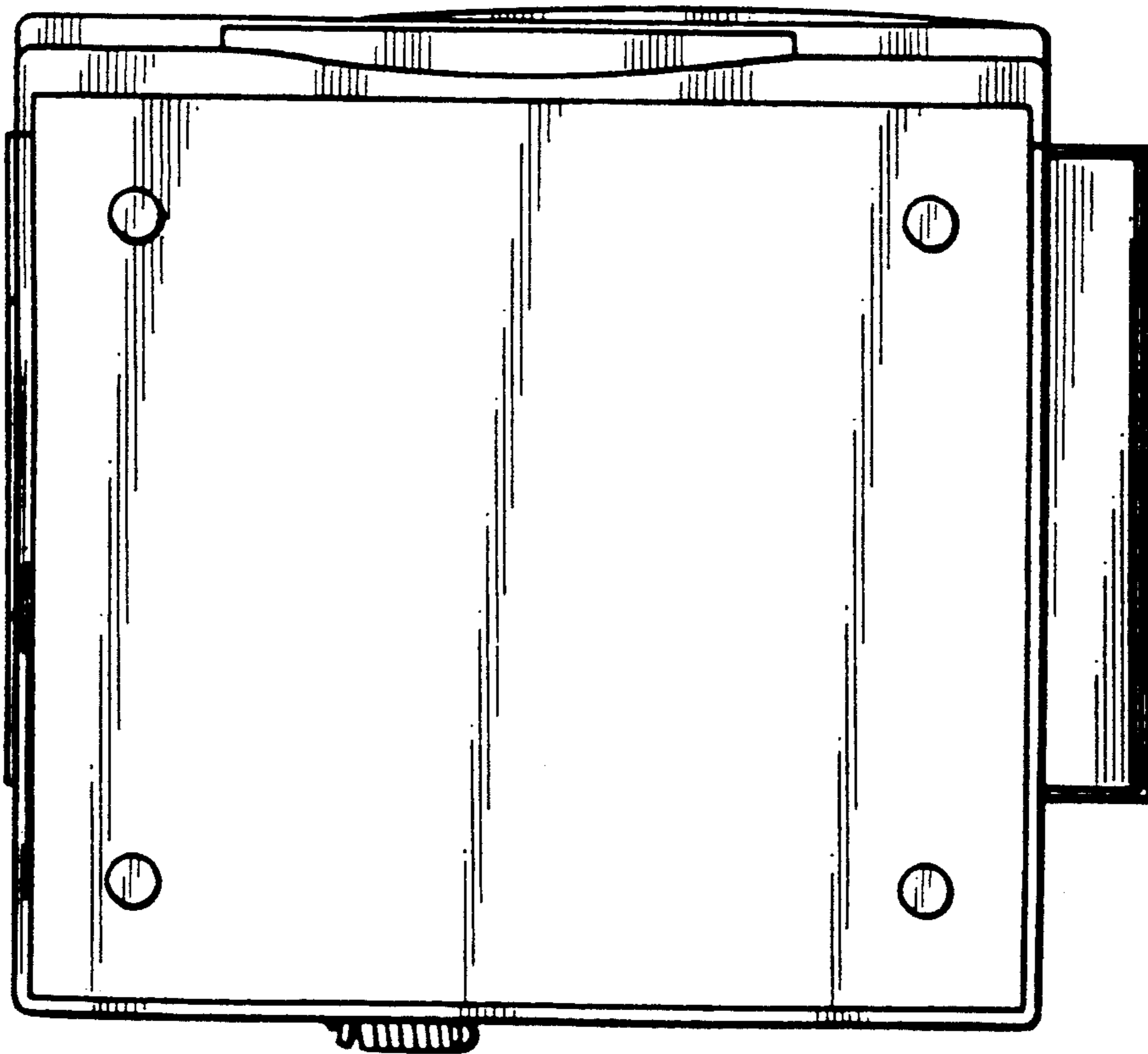


FIG. 7



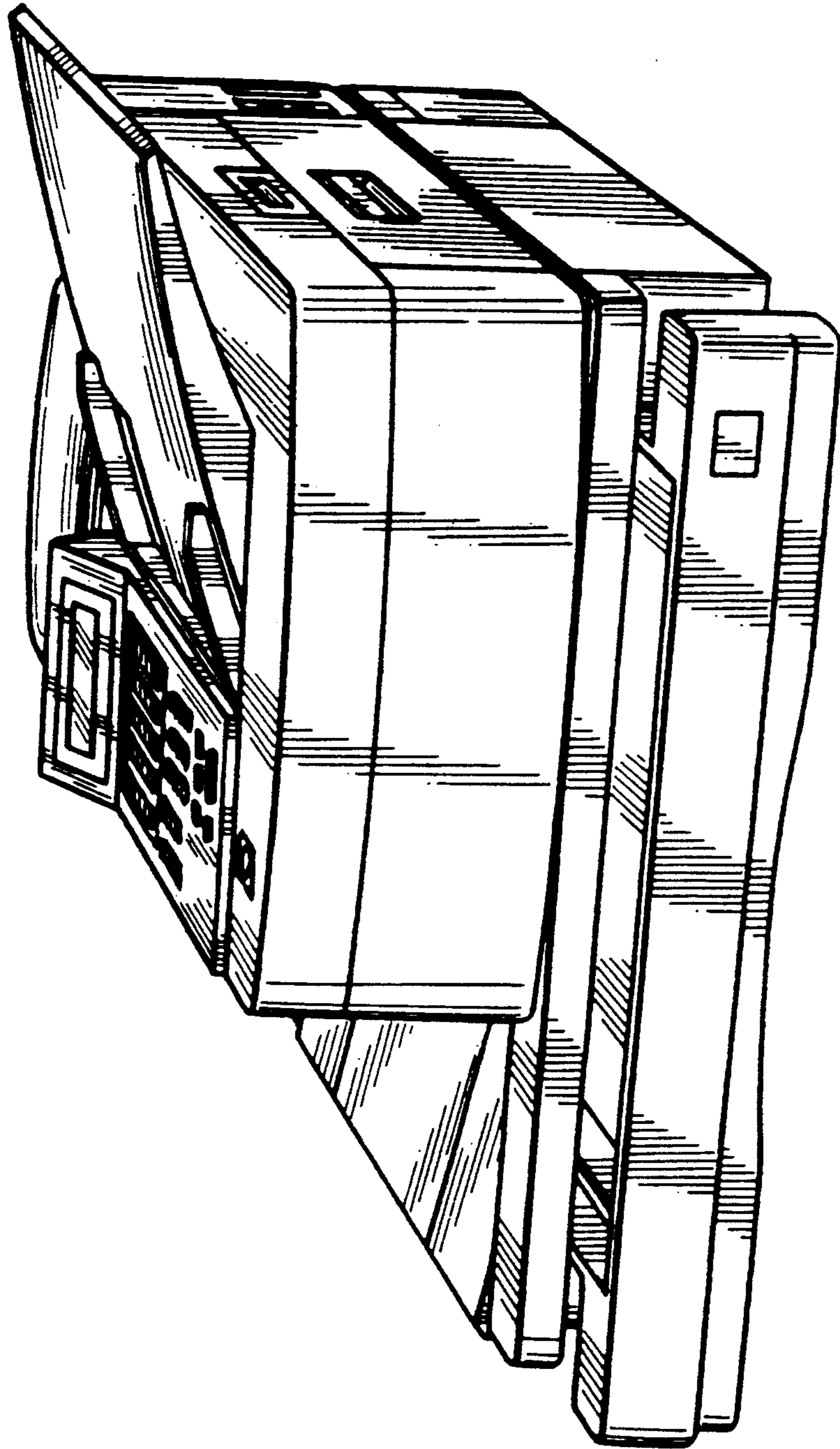


FIG. 8

FIG. 9

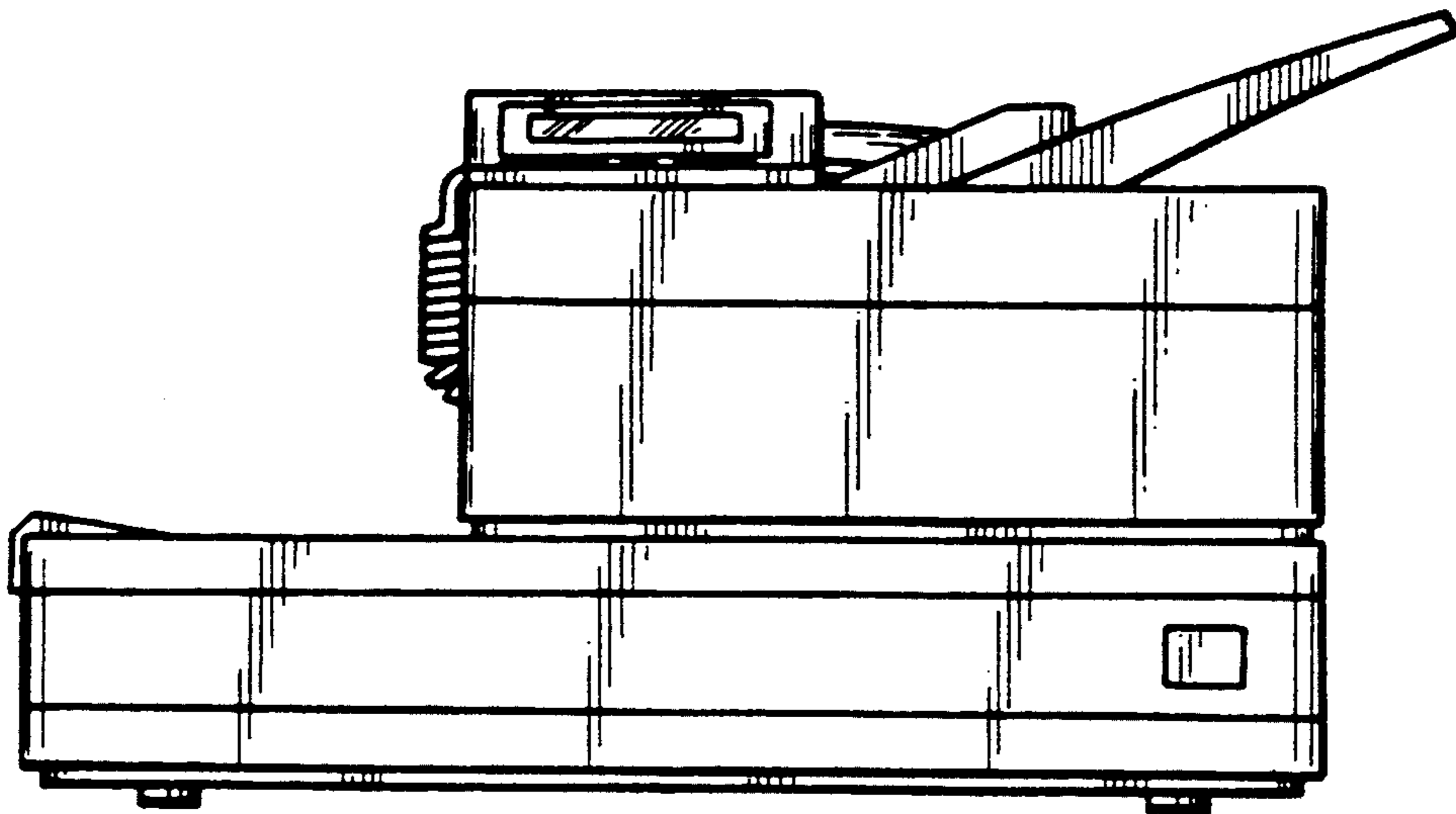


FIG. 10

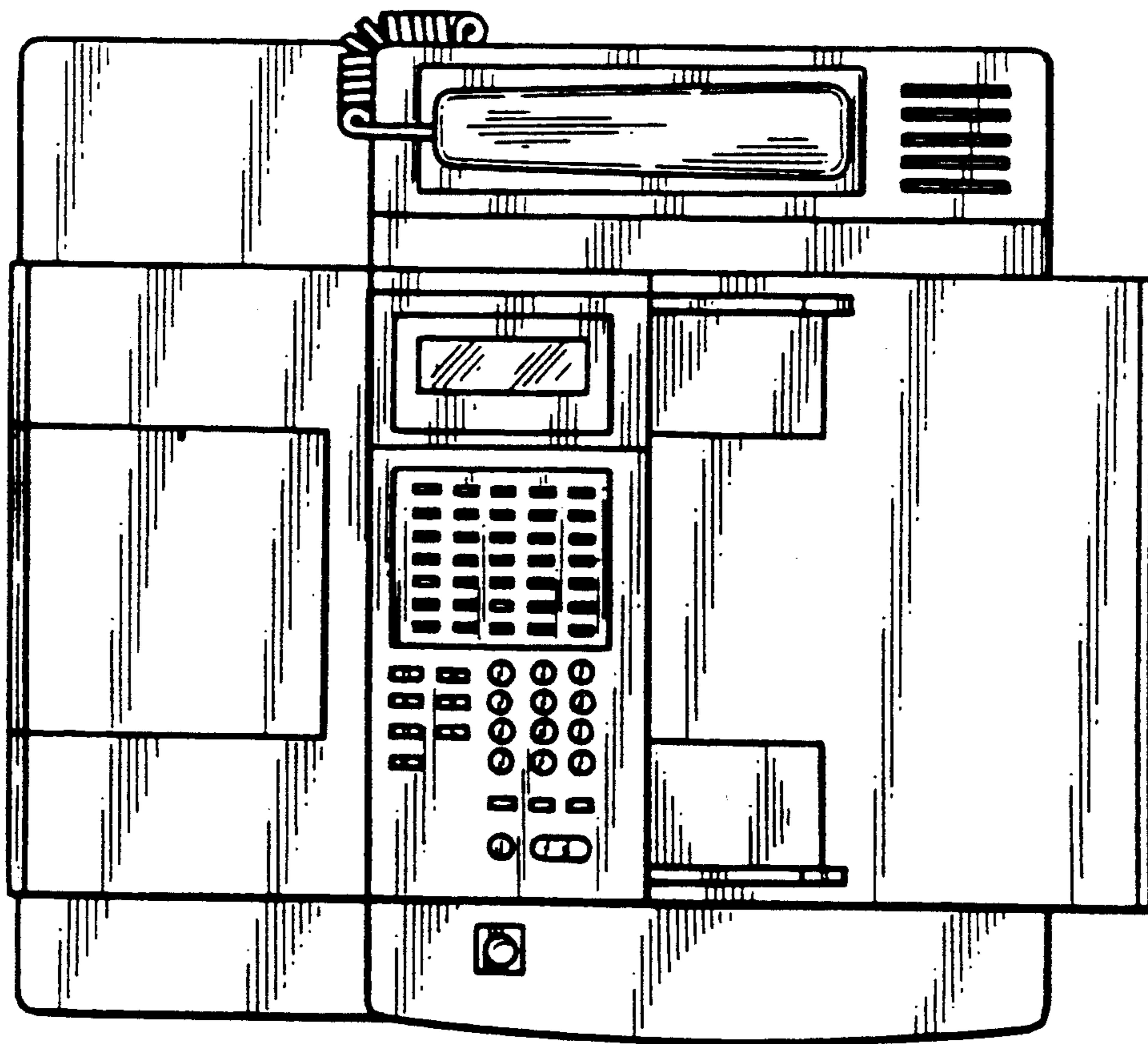


FIG. 11

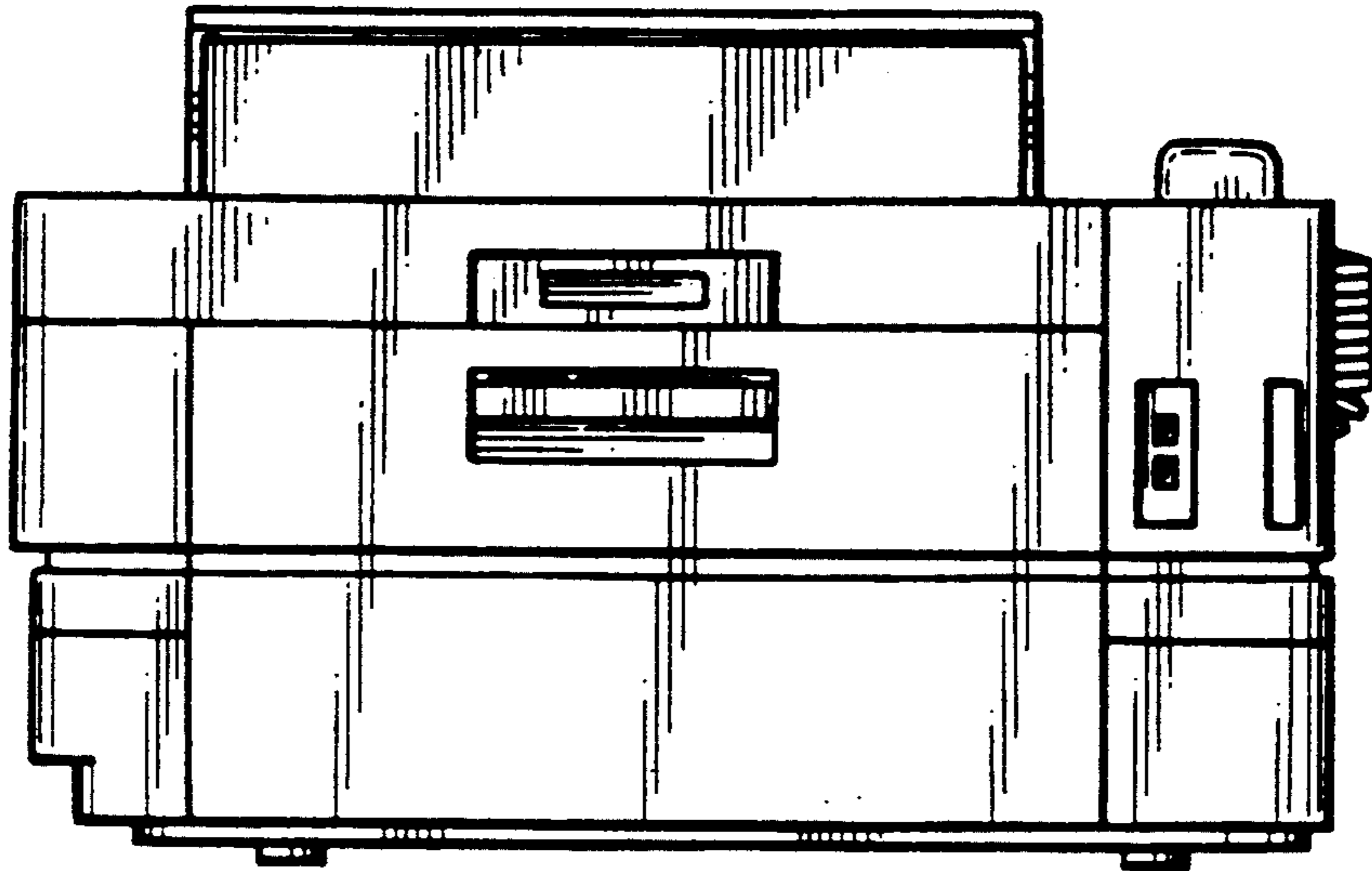


FIG. 12

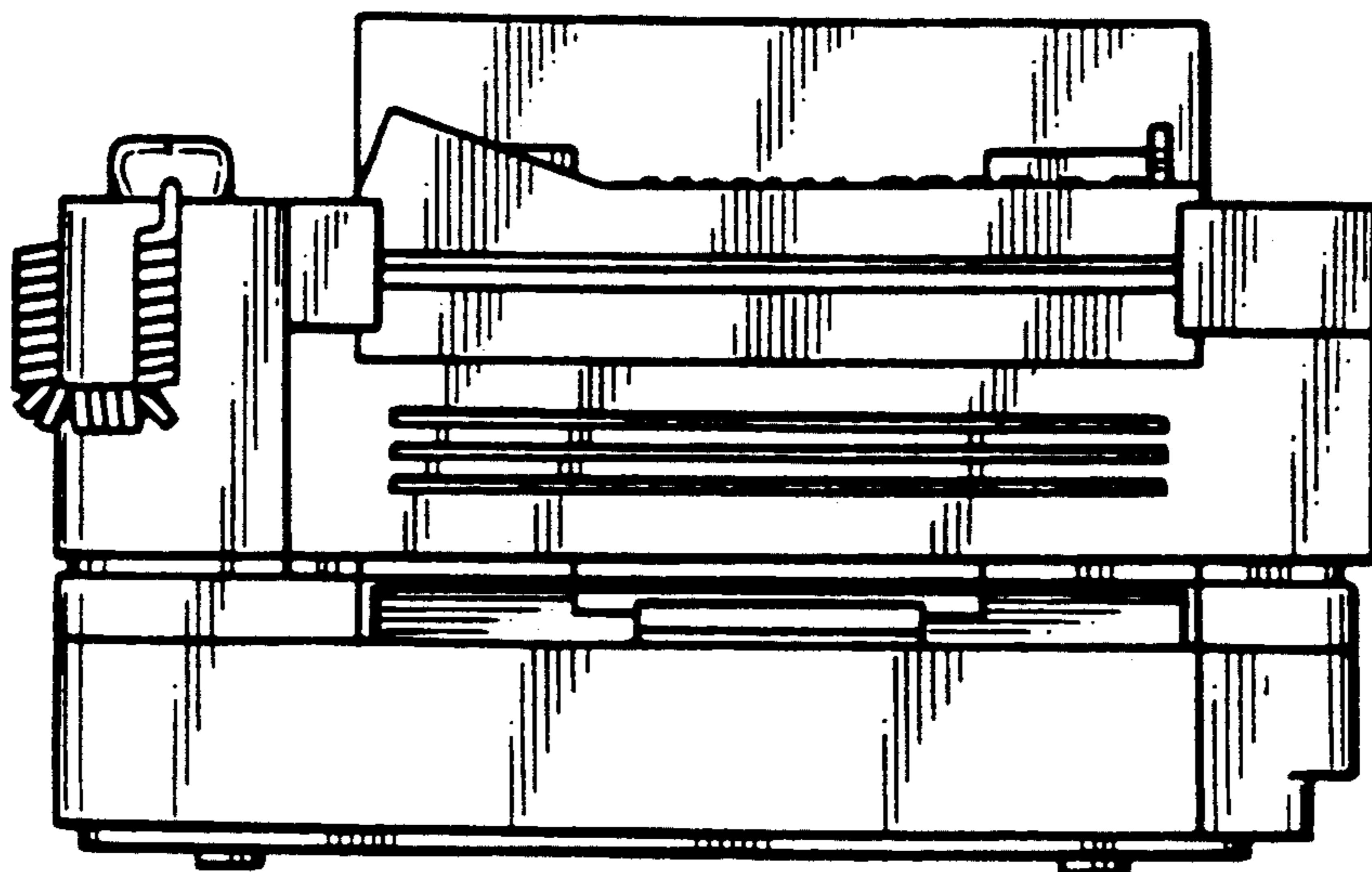




FIG.13

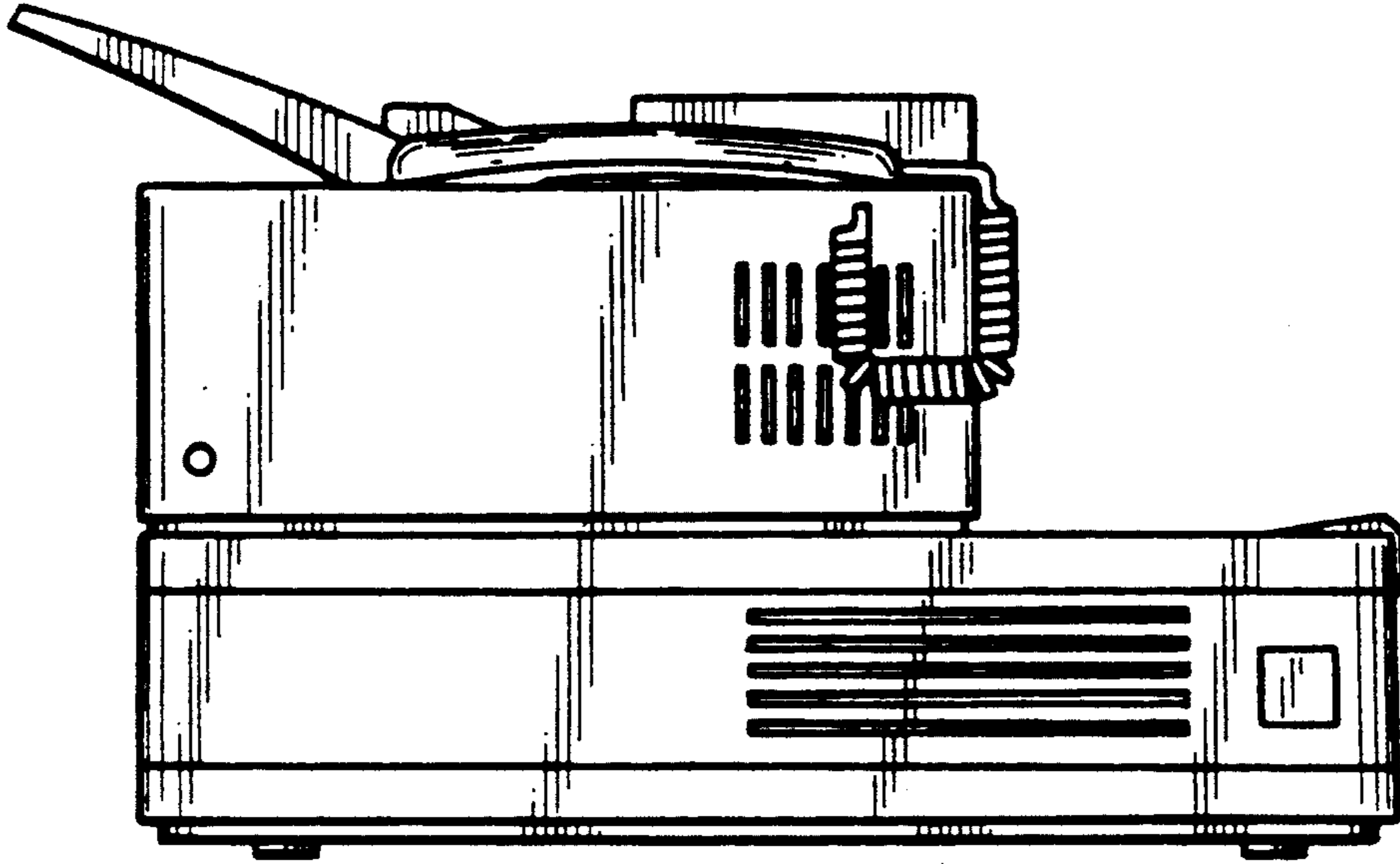


FIG.14

