



US00D345149S

# United States Patent [19]

[11] Patent Number: **Des. 345,149**

Toedter et al.

[45] Date of Patent: **\*\* Mar. 15, 1994**

[54] **COMPUTER**

[75] Inventors: **Peter K. Toedter**, Trabuco Canyon;  
**Kevin D. Simmons**, San Diego;  
**Charles S. Curbun**, Leucadia, all of Calif.

[73] Assignee: **AST Research, Inc.**, Irvine, Calif.

[\*\*] Term: **14 Years**

[21] Appl. No.: **932,041**

[22] Filed: **Aug. 18, 1992**

[52] U.S. Cl. .... **D14/106**

[58] Field of Search ..... 235/145 A, 145 R;  
340/700, 706; 341/22, 23; 361/390, 395;  
364/708, 709.04; D14/100, 101, 106, 113, 115;  
D18/1, 7, 11, 12

[56] **References Cited**

### U.S. PATENT DOCUMENTS

D. 333,128 2/1993 Peng et al. .... D14/106  
D. 334,739 4/1993 Tsai ..... D14/106  
D. 337,101 7/1993 Shie et al. .... D14/106

*Primary Examiner*—Wallace R. Burke  
*Assistant Examiner*—Freda S. Nunn  
*Attorney, Agent, or Firm*—Knobbe, Martens, Olson & Bear

[57] **CLAIM**

The ornamental design for a computer, as shown and described.

### DESCRIPTION

FIG. 1 is a perspective view taken from the top, front and right side of a computer showing our new design; FIG. 2 is a top plan view thereof; FIG. 3 is a front elevational view thereof; FIG. 4 is a left side elevational view thereof; FIG. 5 is a right side elevational view thereof; FIG. 6 is a bottom plan view thereof; and, FIG. 7 is a rear elevational view thereof.

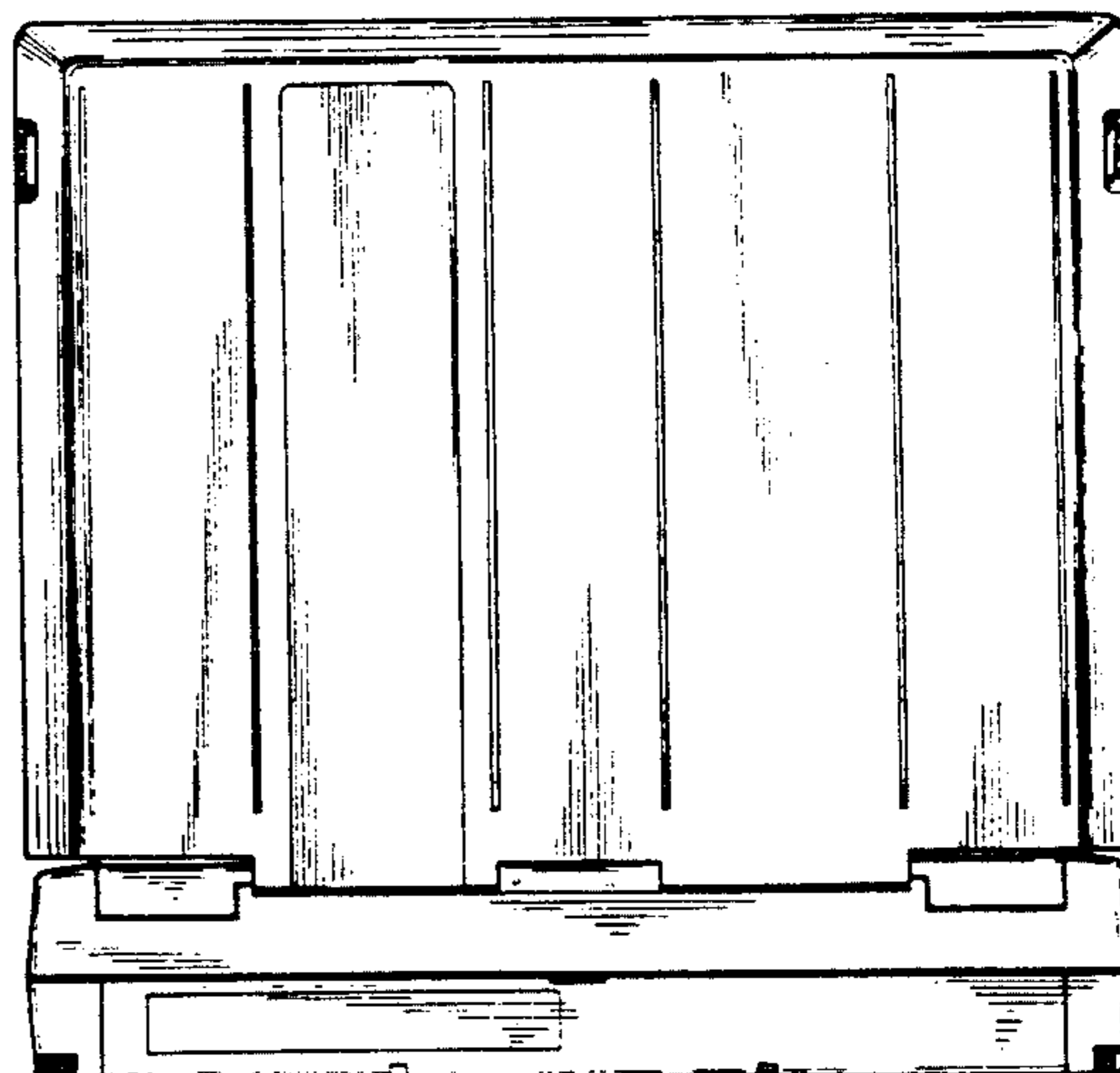
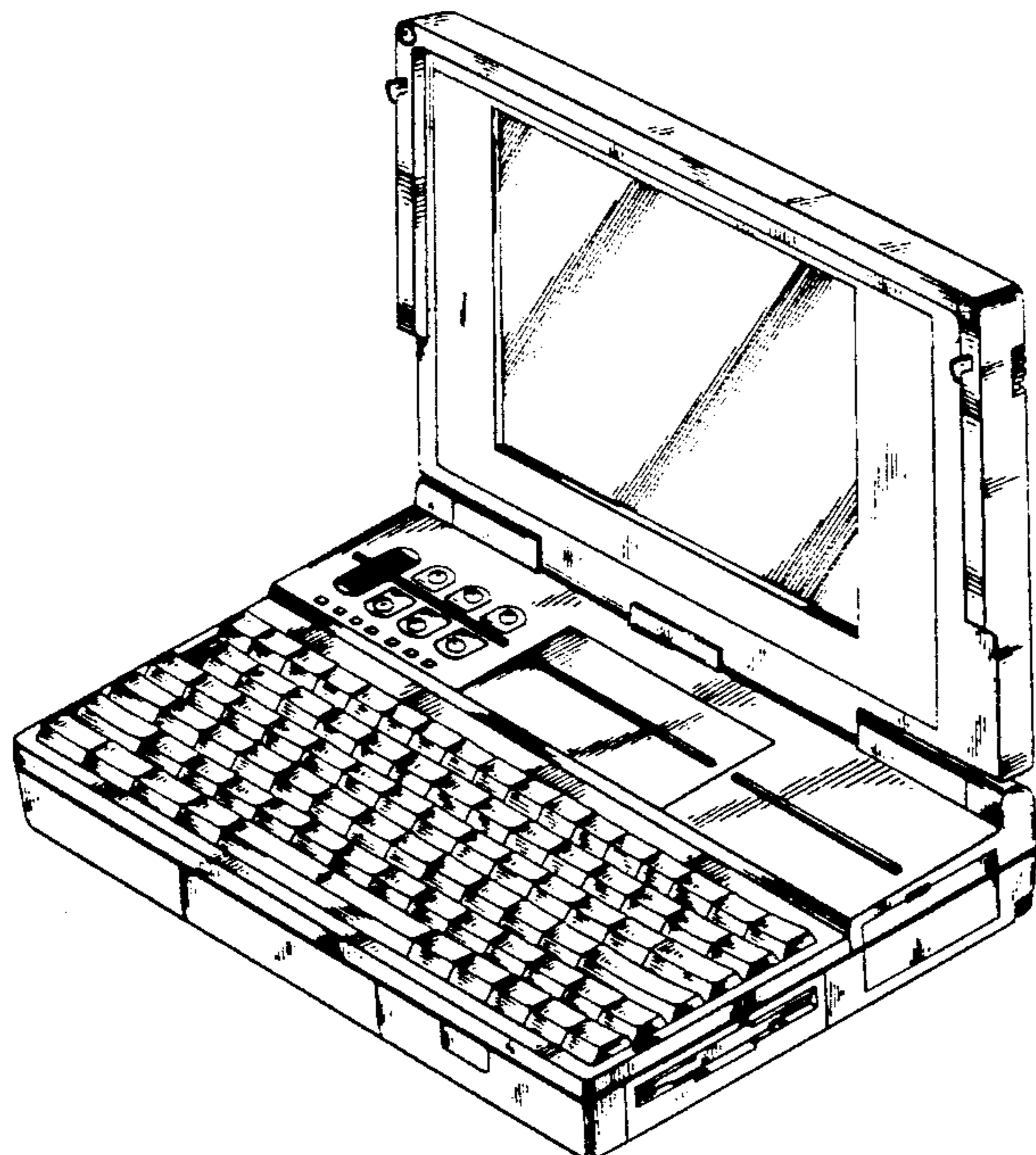


FIG. 1

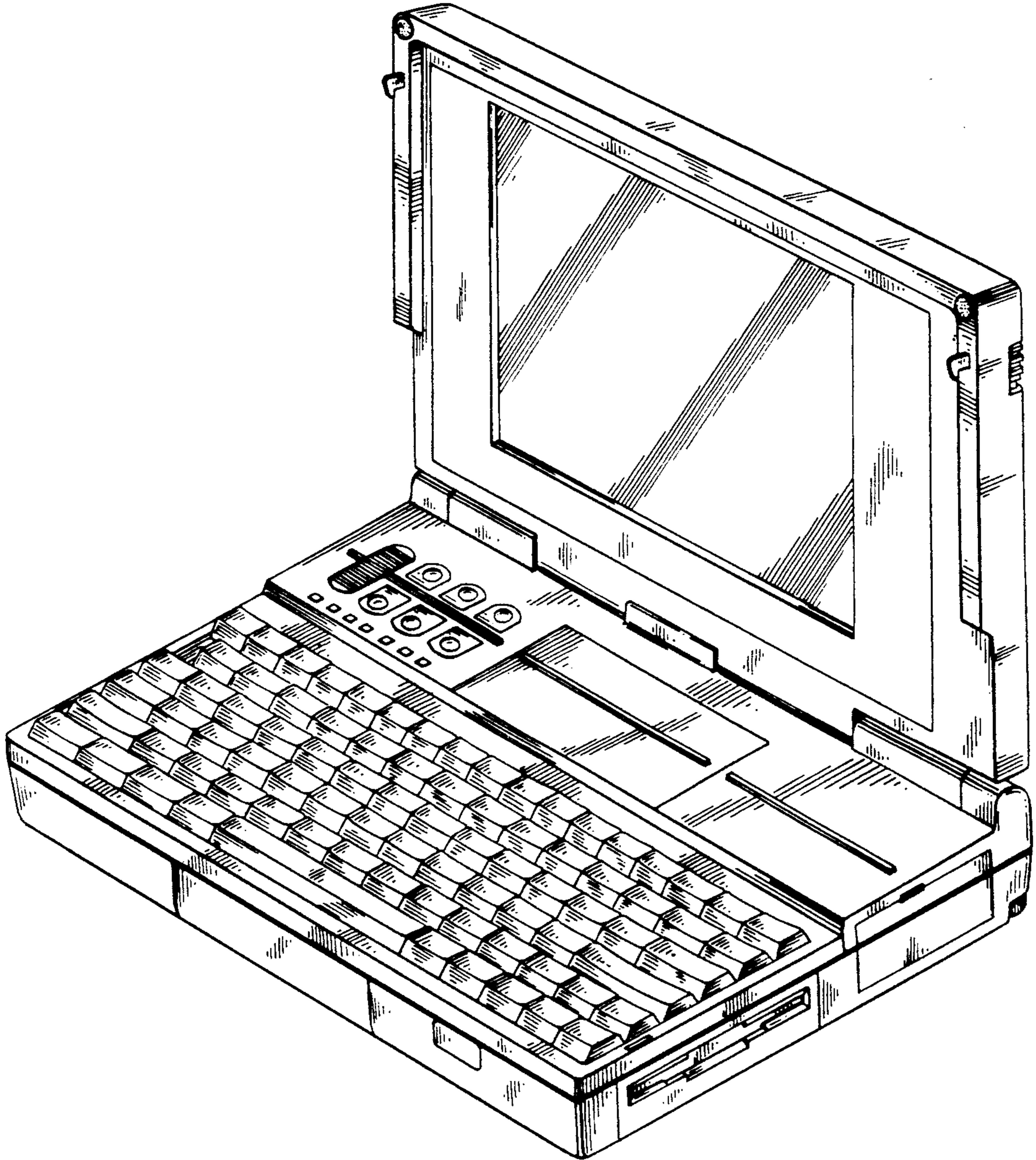


FIG. 2

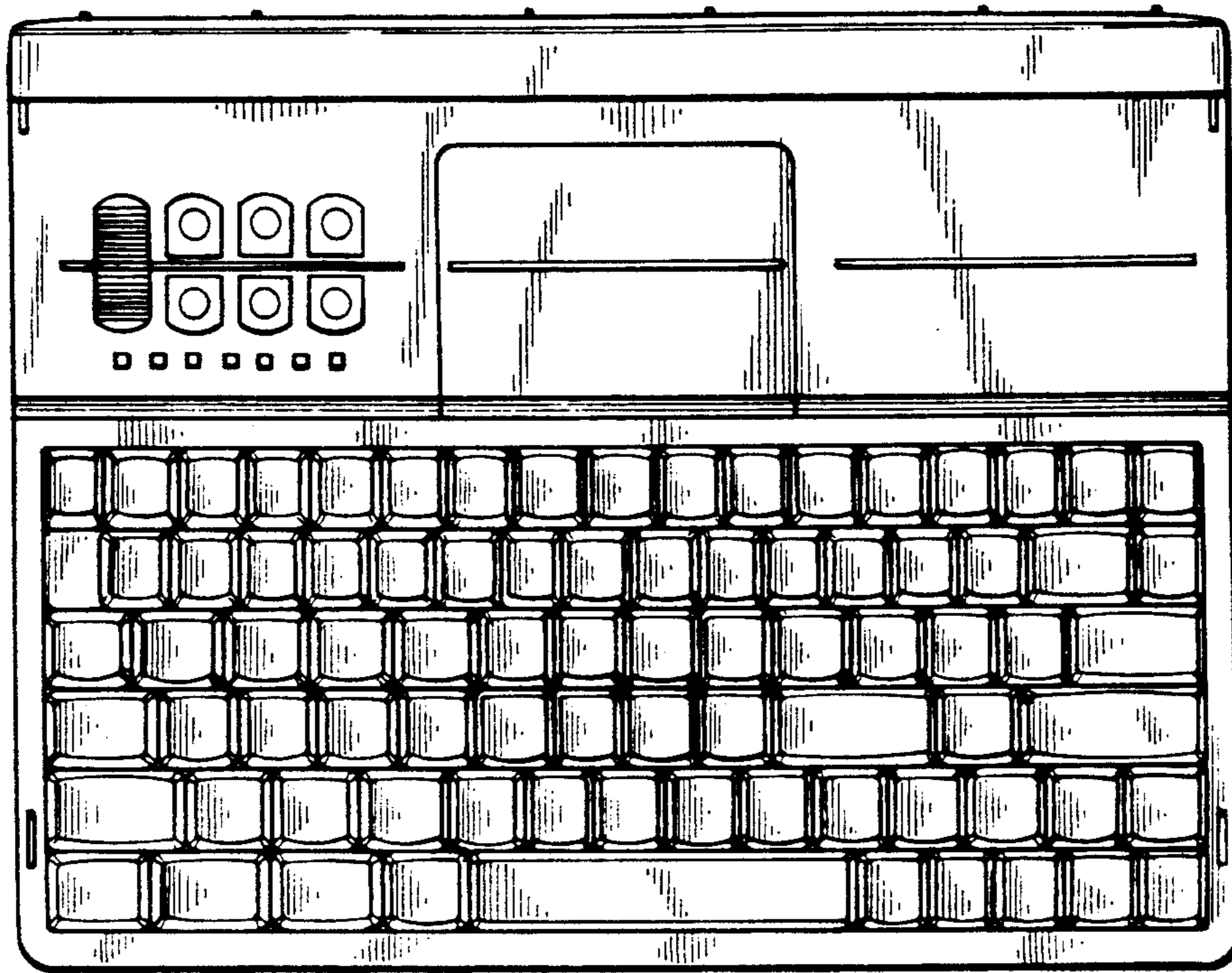


FIG. 4

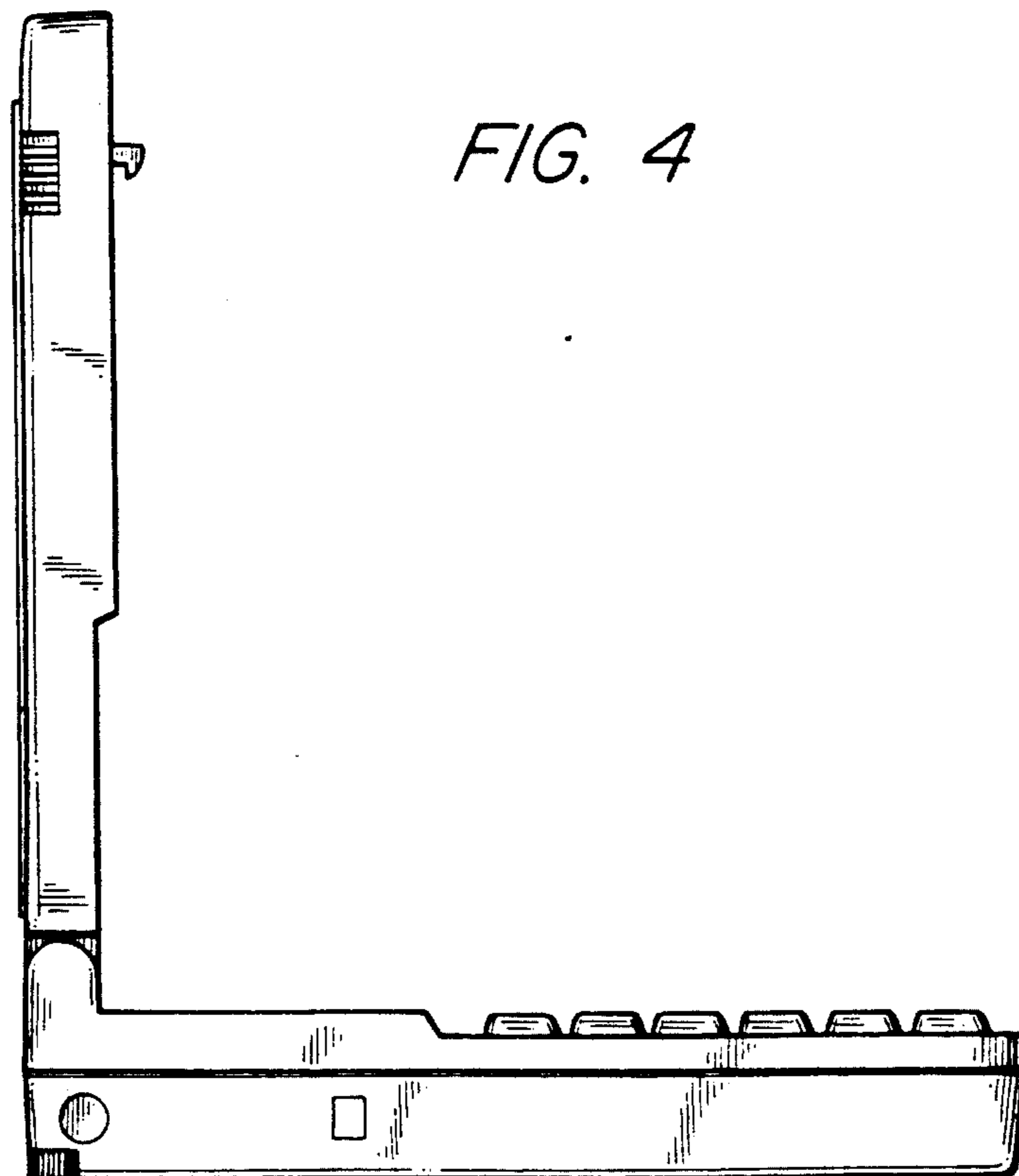


FIG. 3

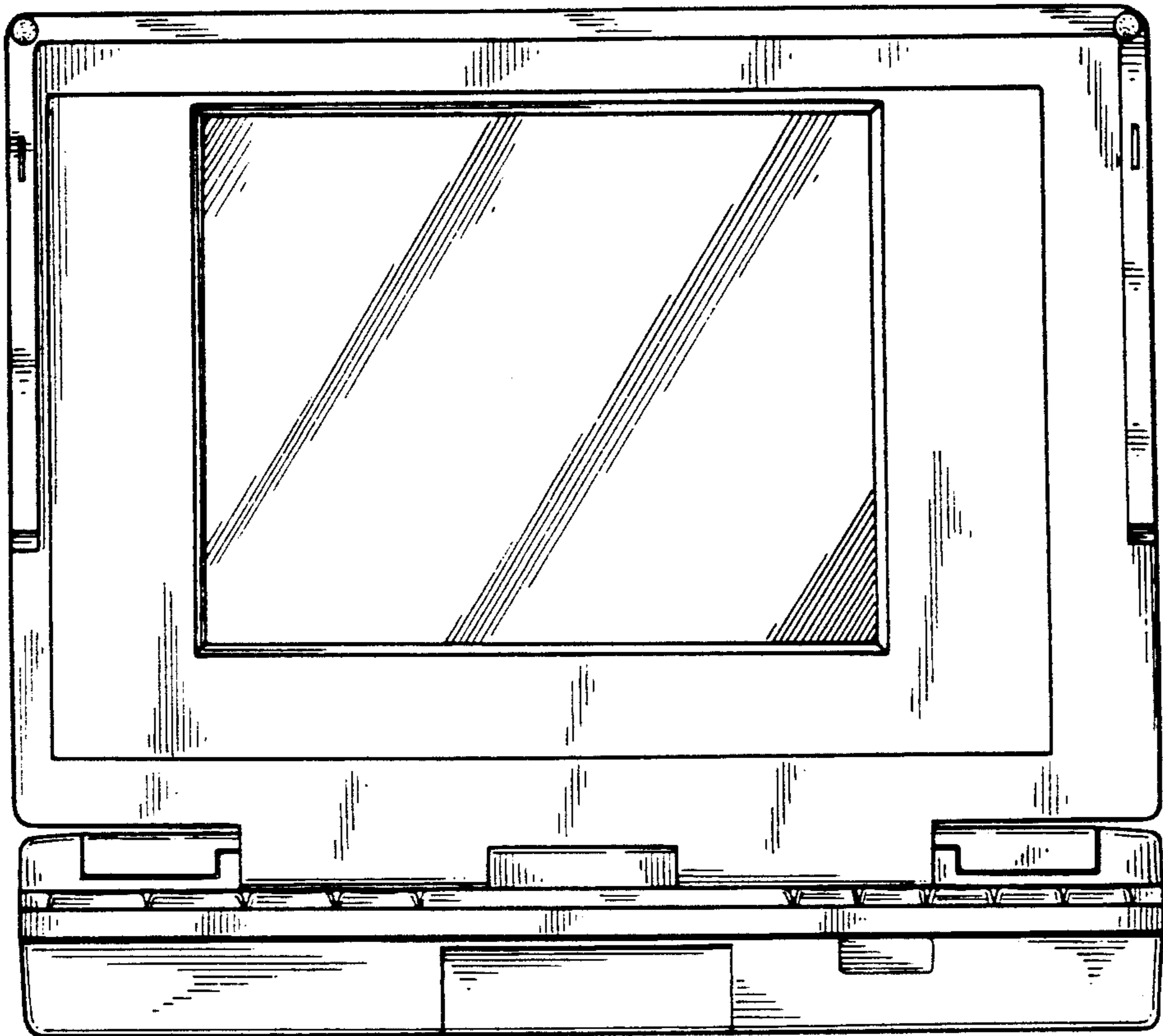


FIG. 5

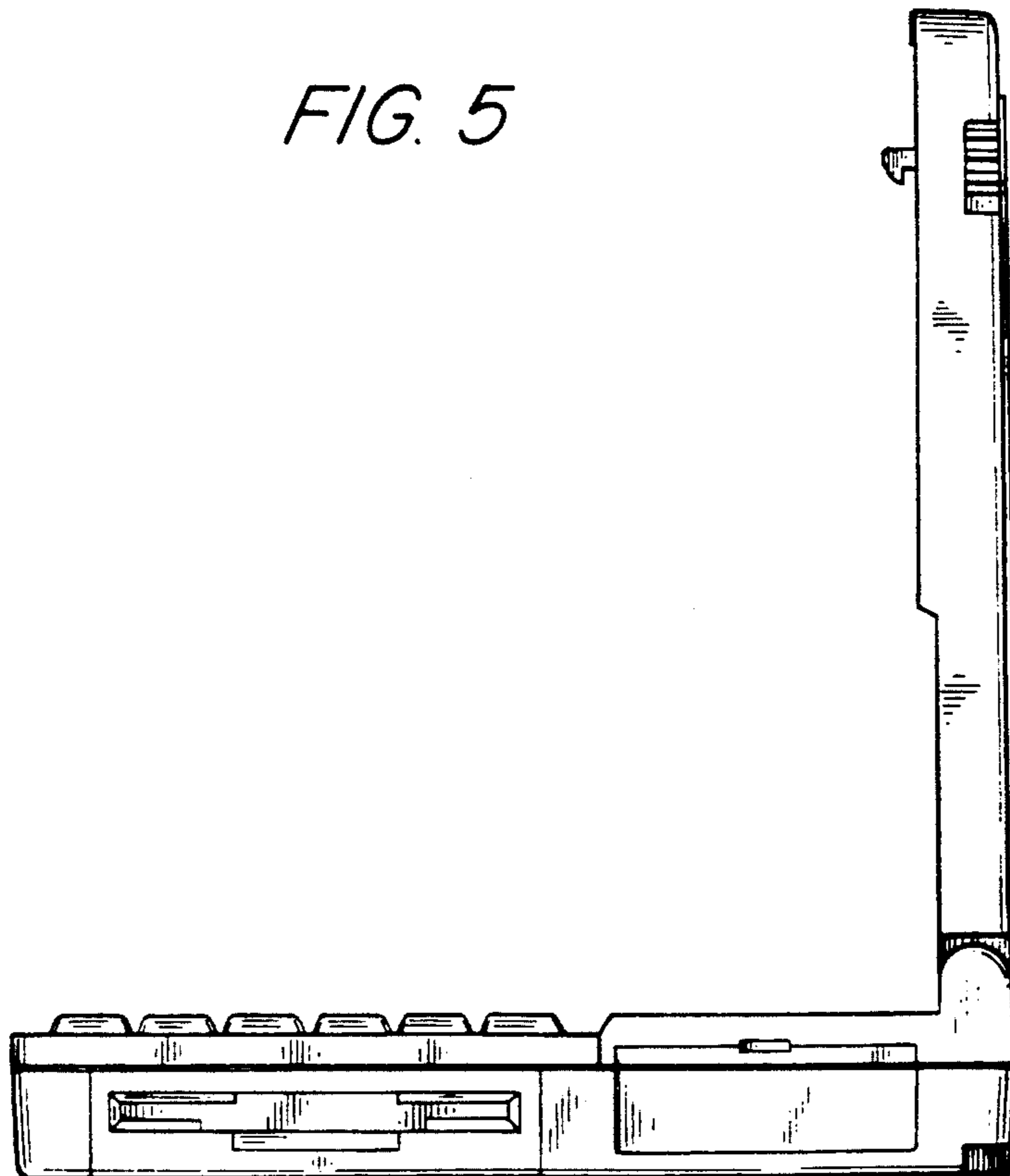


FIG. 6

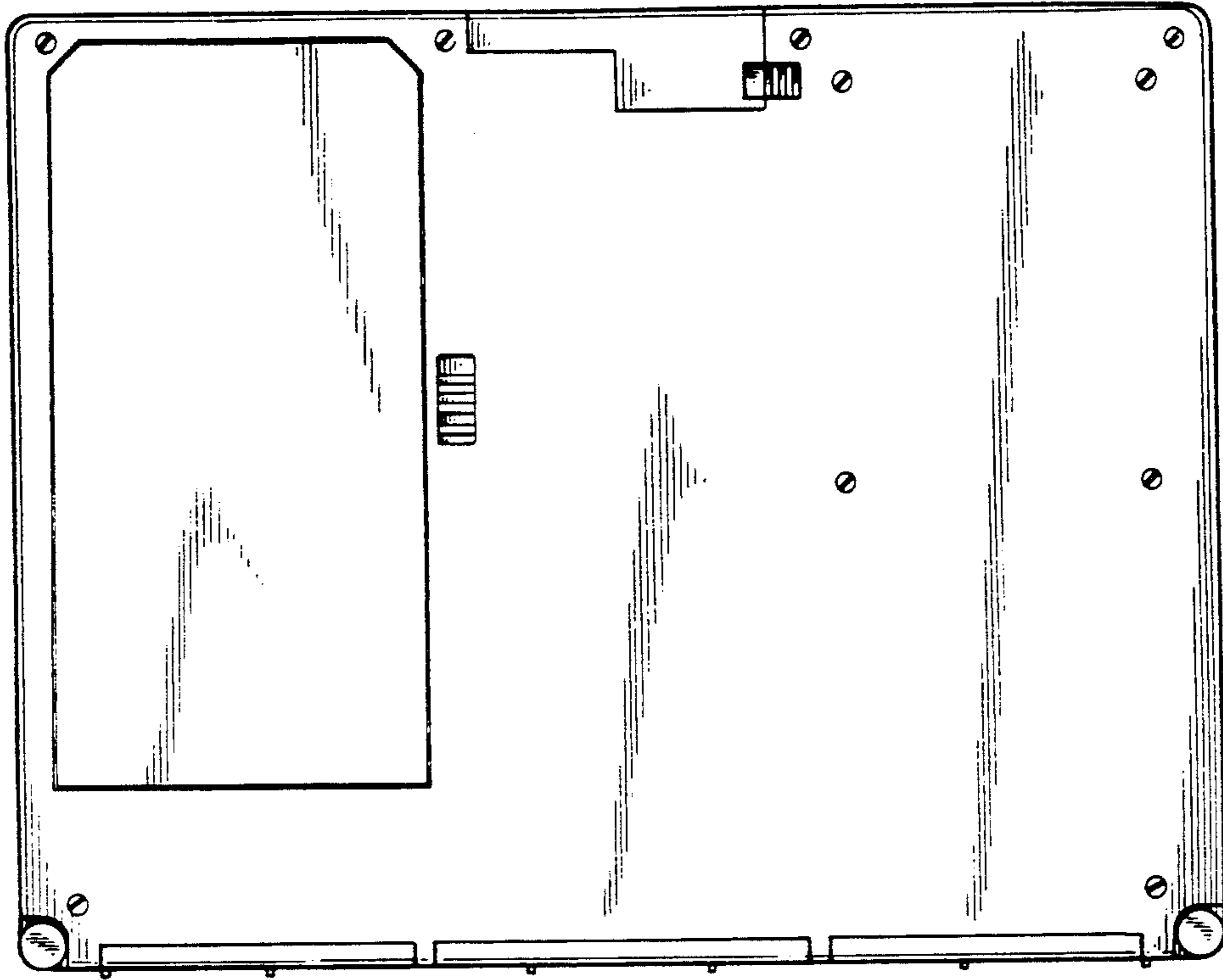


FIG. 7

