



US00D345143S

United States Patent [19]

[11] Patent Number: **Des. 345,143**

Thomas

[45] Date of Patent: **** Mar. 15, 1994**

[54] CENTRAL PROCESSING UNIT MODULE FOR A PROGRAMMABLE CONTROLLER

[75] Inventor: **Sherman G. Thomas**, Earlysville, Va.

[73] Assignee: **GE Fanuc Automation North America, Inc.**, Charlottesville, Va.

[**] Term: **14 Years**

[21] Appl. No.: **639,998**

[22] Filed: **Jan. 11, 1991**

[52] U.S. Cl. **D13/162**

[58] Field of Search 361/380, 383, 391, 392, 361/393, 394, 395, 399, 415; D13/123, 162, 164, 184

[56] References Cited

U.S. PATENT DOCUMENTS

D. 281,493	11/1985	Prager et al.	D13/162
D. 292,394	10/1987	Boucher	D13/162
D. 306,576	3/1990	Hiatt et al.	D13/184
D. 309,466	7/1990	Russell	D13/162
D. 325,900	5/1992	Shimizu et al.	D13/162
4,151,580	4/1979	Struger et al.	361/415
4,152,750	5/1979	Bremenour et al.	361/383
4,672,511	6/1987	Meusel et al.	361/380 X
4,920,453	4/1990	Onose et al.	361/394 X
4,991,056	2/1991	Shimizu et al.	361/380
5,043,847	8/1991	Deinhardt et al.	361/391 X

OTHER PUBLICATIONS

Programmable controller in Koyo Electronics Industries brochure, No. 077-1-1DG, Jul. 1988.

Programmable controller on p. 76 of *Control Engineering*, Jul. 1989.

Programmable controller on p. 12 of *Control Engineering*, Sep. 1989.

Programmable controller on p. 21 of *Control Engineering*, Dec. 1989.

Primary Examiner—Wallace R. Burke

Assistant Examiner—Joel Sincavage

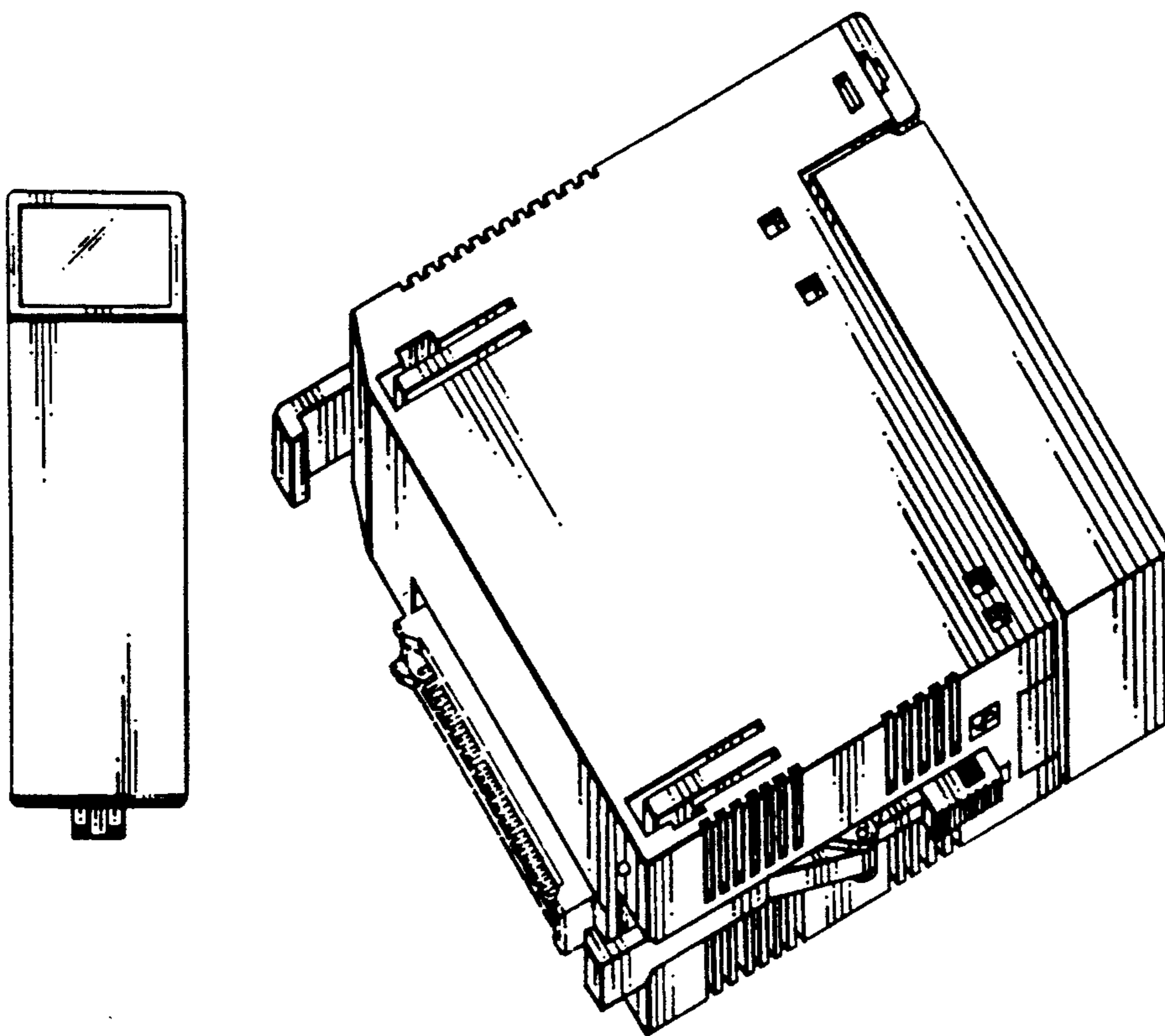
Attorney, Agent, or Firm—James H. Beusse

[57] CLAIM

The ornamental design for a central processing unit module for a programmable controller, as shown and described.

DESCRIPTION

FIG. 1 is a left side elevational view of a central processing unit module for a programmable controller showing my new design wherein a conventional multi-pin connector is shown in phantom lines for information purposes only and forms no part of the claimed design; FIG. 2 is a front elevational view thereof; FIG. 3 is a right side elevational view thereof; FIG. 4 is a rear elevational view thereof; FIG. 5 is a bottom plan view thereof; FIG. 6 is a top plan view thereof; and, FIG. 7 is a rear and bottom perspective view thereof.



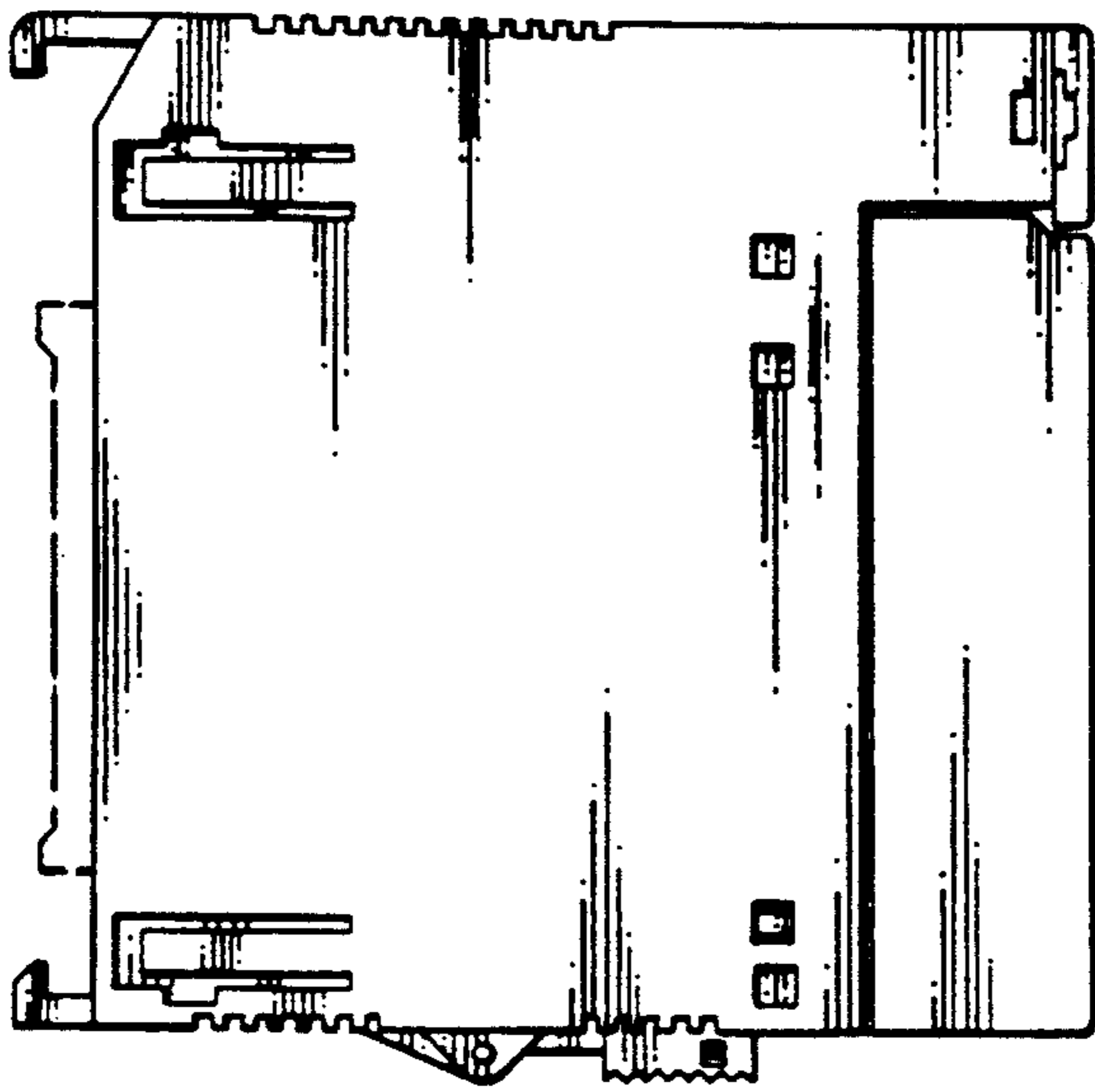


FIG. 1

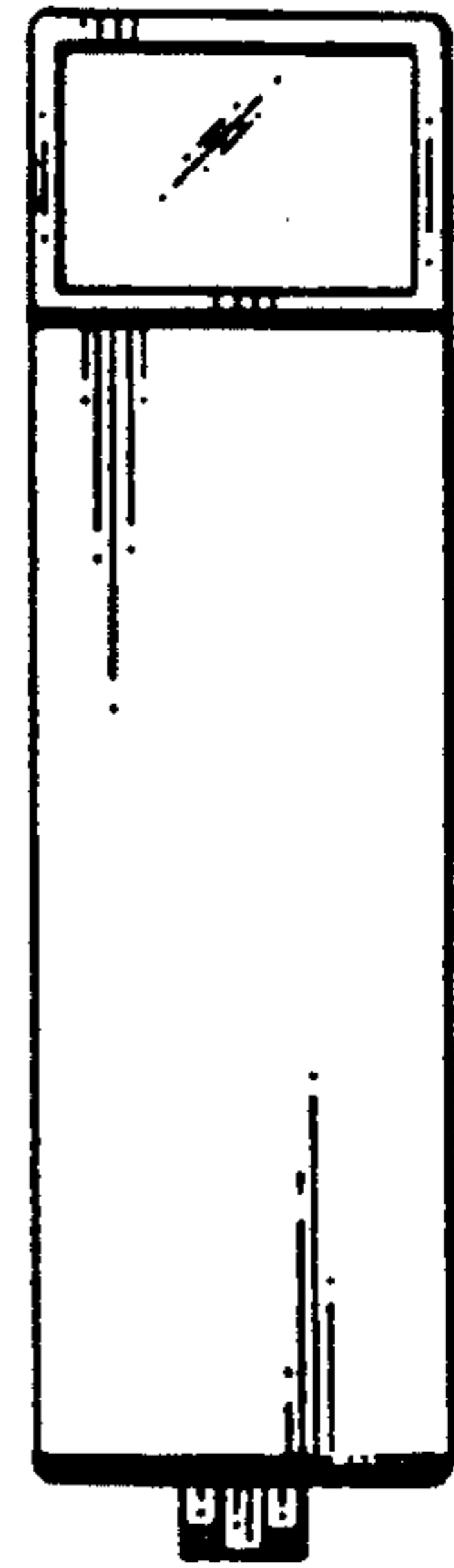


FIG. 2

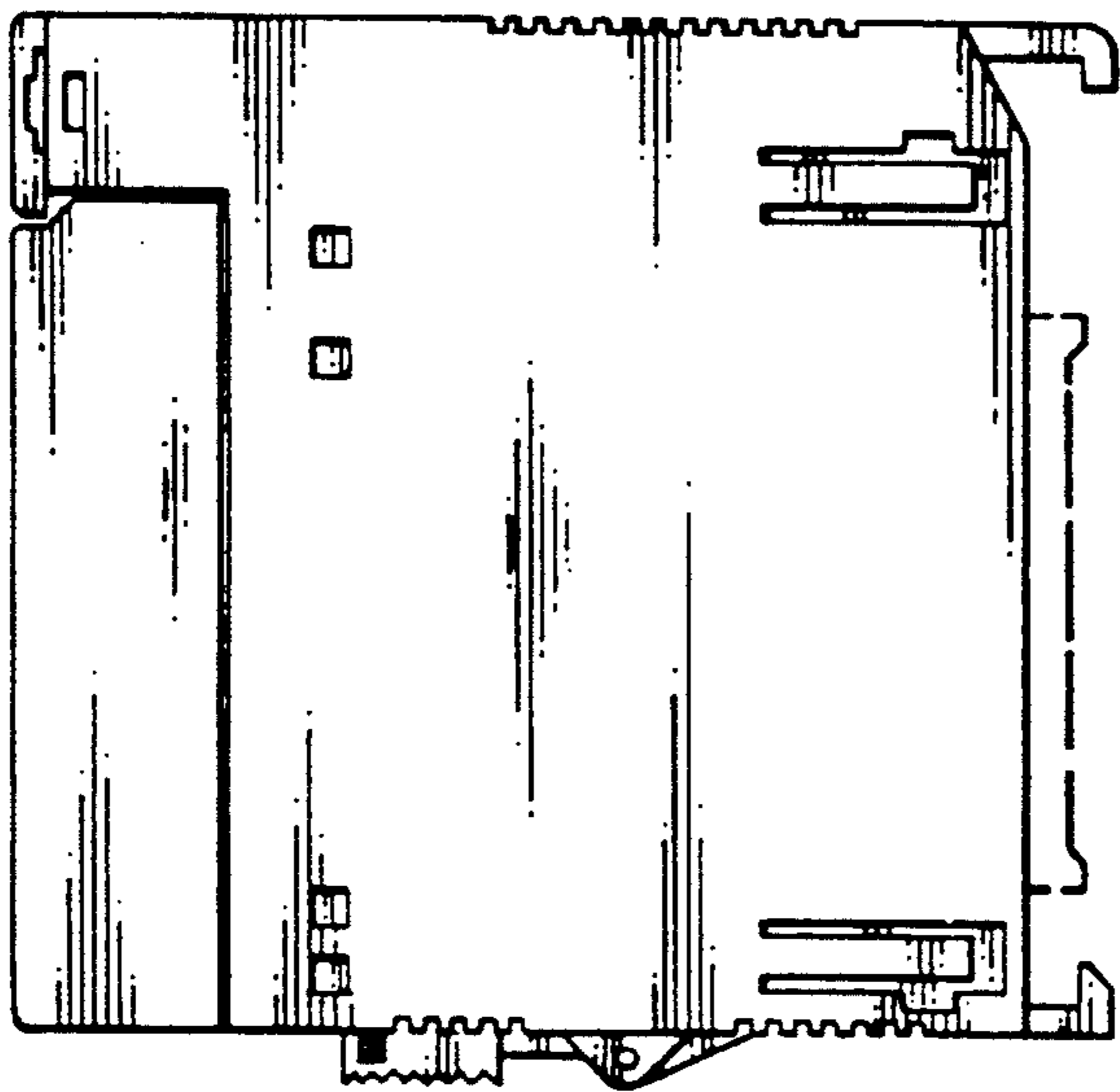


FIG. 3

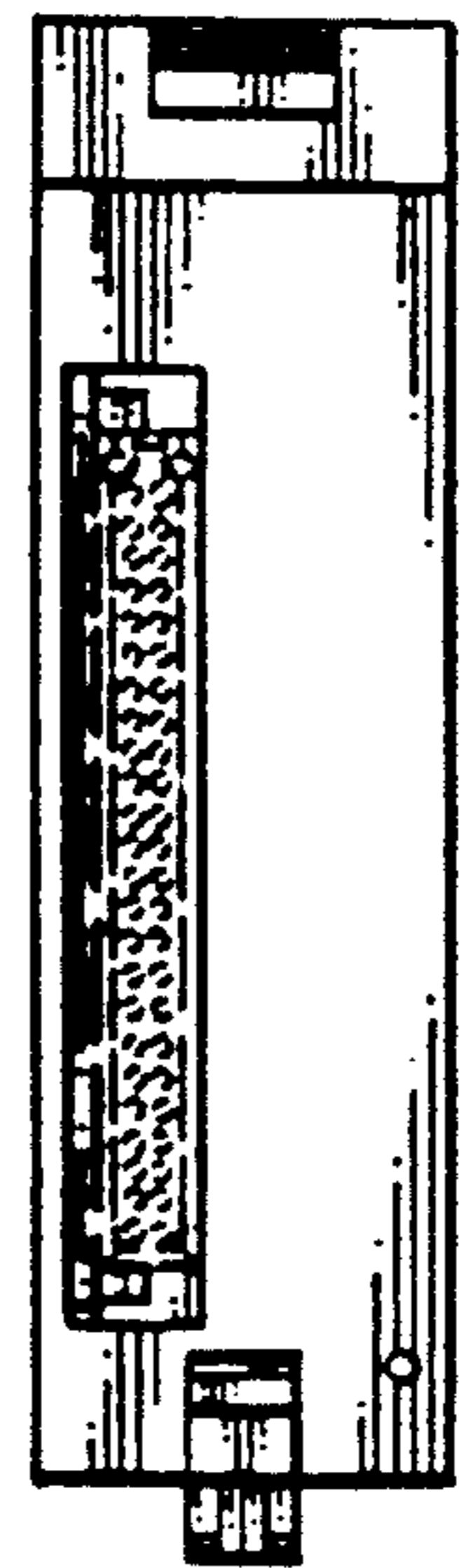


FIG. 4

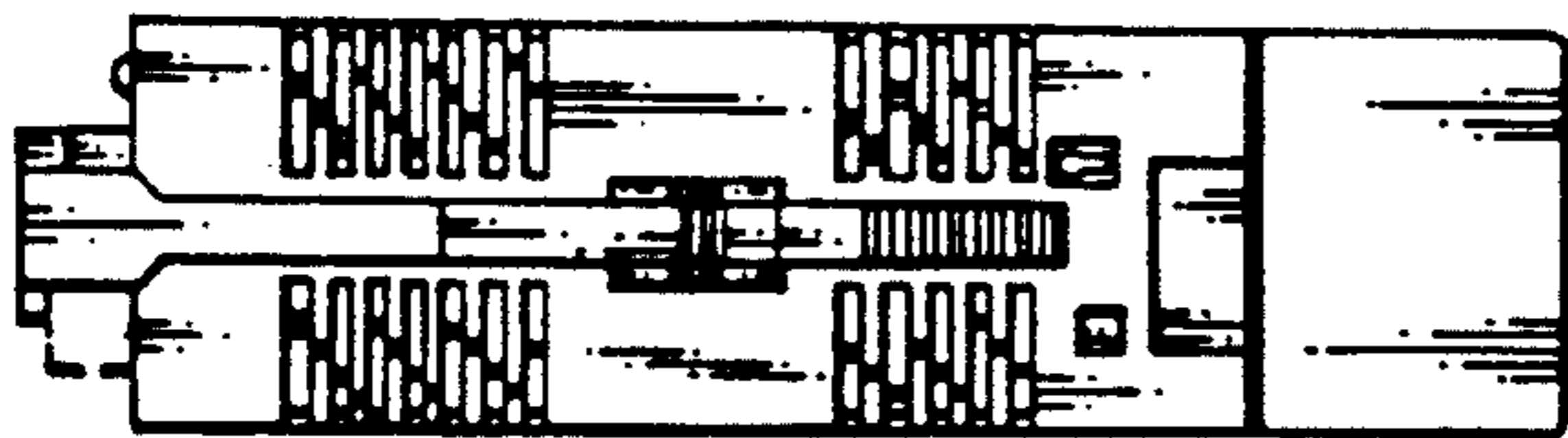


FIG. 5

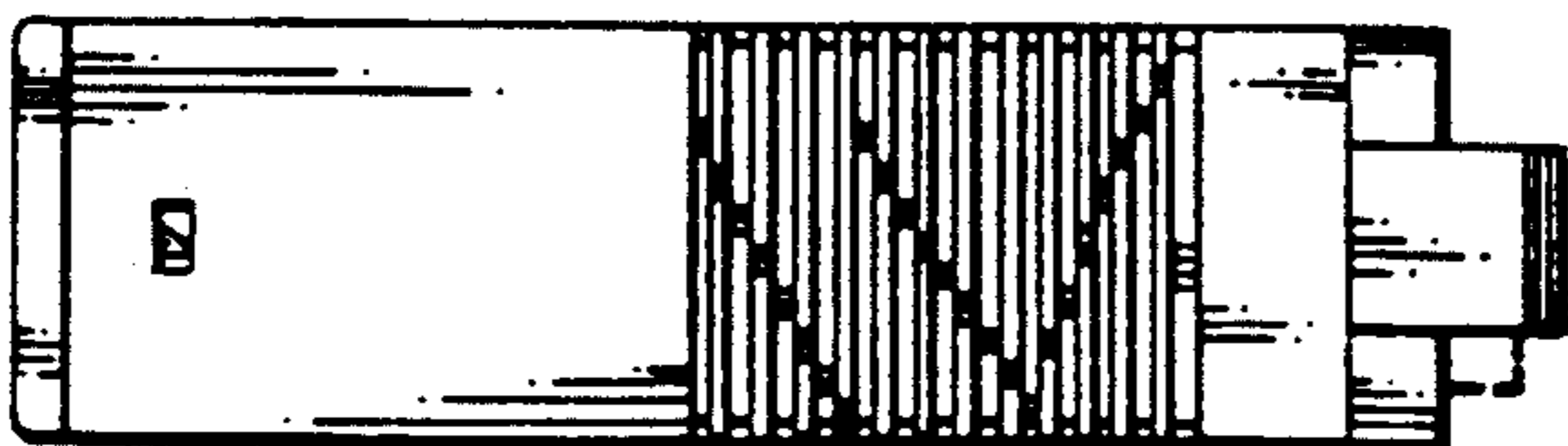


FIG. 6

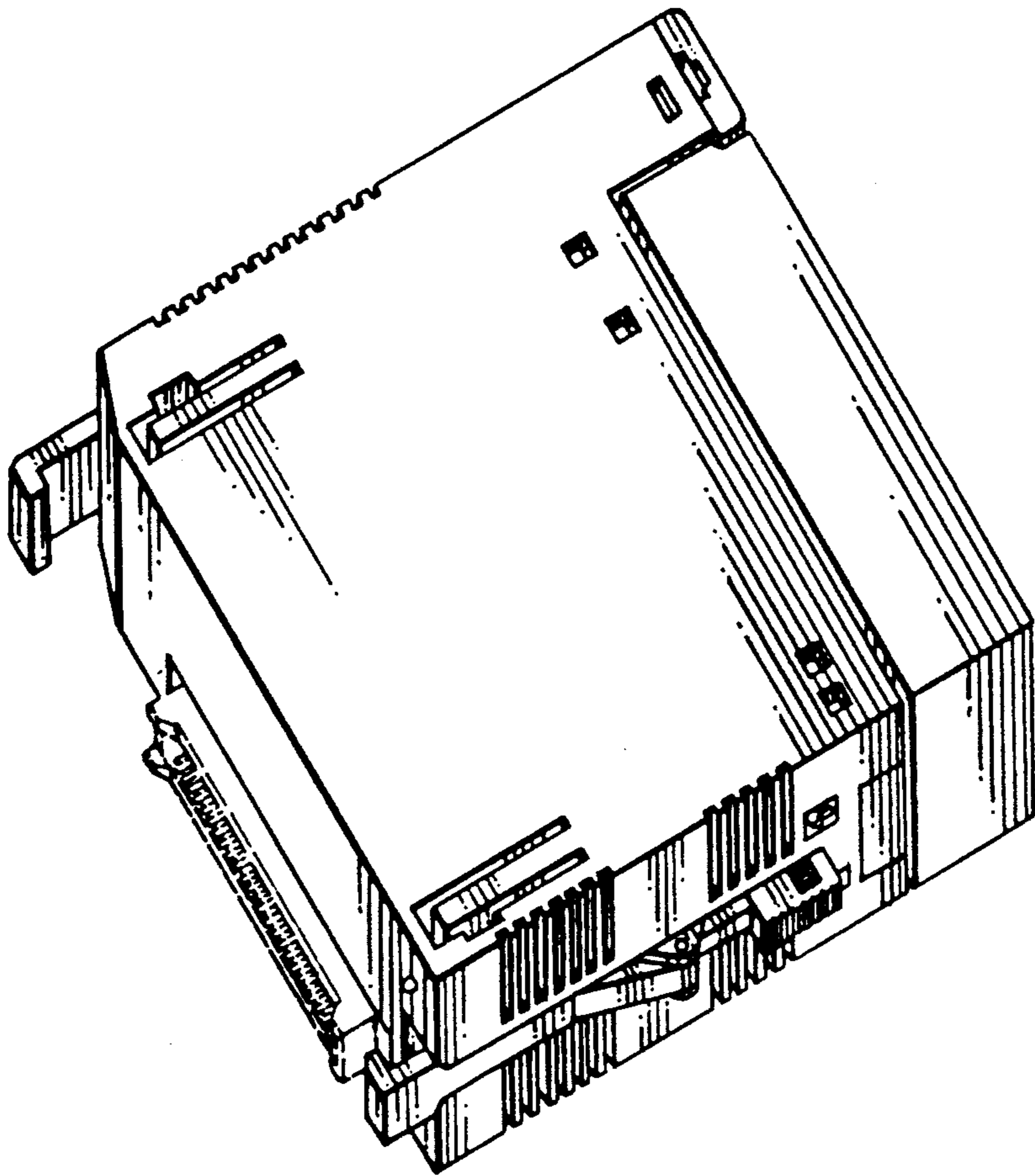


FIG. 7