



US00D345142S

United States Patent [19]

[11] Patent Number: **Des. 345,142**

Porter

[45] Date of Patent: **** Mar. 15, 1994**

[54] **TEMPORARY PROTECTIVE COVER FOR AN ELECTRICAL OUTLET BOX**

[76] Inventor: **Douglas F. Porter**, 1025 Gladway Rd., Baltimore, Md. 21220

[**] Term: **14 Years**

[21] Appl. No.: **910,987**

[22] Filed: **Jul. 9, 1992**

[52] U.S. Cl. **D13/156; D8/353**

[58] Field of Search **D8/353; 174/67; 220/241, 242; 439/133, 136, 147, 373, 536; D13/154, 156**

[56] **References Cited**

U.S. PATENT DOCUMENTS

- D. 295,257 4/1988 Staub D13/156
- D. 311,705 10/1990 Thorp et al. D13/156 X
- 4,343,527 8/1992 Harrington et al. 439/468

FOREIGN PATENT DOCUMENTS

- 9005393 5/1990 World Int. Prop. O. 174/67

Primary Examiner—Wallace R. Burke
Assistant Examiner—Joel Sincavage
Attorney, Agent, or Firm—S. Michael Bender

[57] **CLAIM**

The ornamental design for a temporary protective cover for an electrical outlet box, as shown and described.

DESCRIPTION

FIG. 1 is a front elevational view of the temporary protective cover for an electrical outlet box showing my new design;

FIG. 2 is a rear elevational view thereof;

FIG. 3 is a left side elevational view thereof;

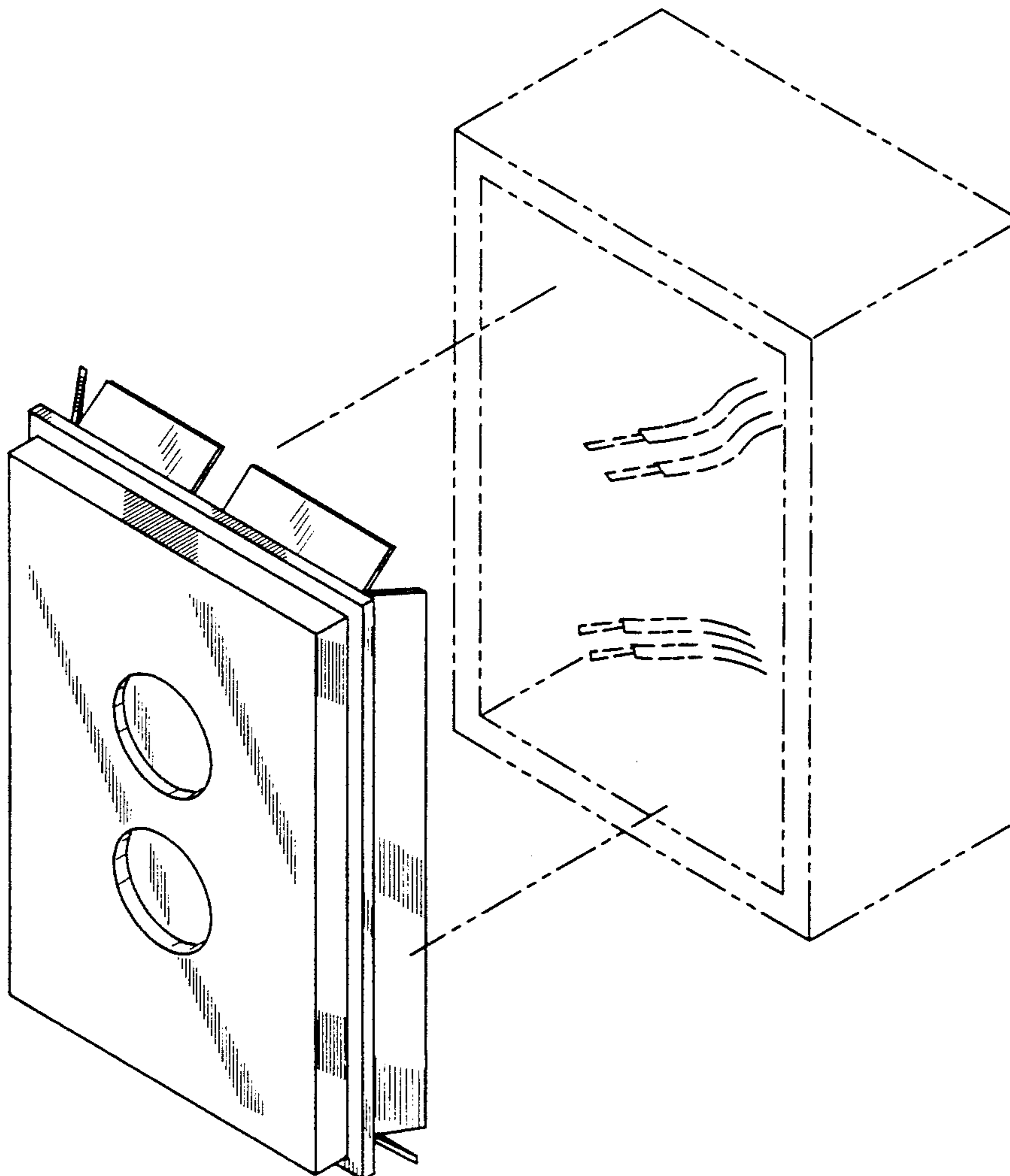
FIG. 4 is a right side elevational view thereof;

FIG. 5 is a top plan view thereof;

FIG. 6 is a bottom plan view thereof; and,

FIG. 7 is a front and upper right isometric view thereof.

The broken line showing of the electrical box and wires is included for the purpose of illustrating environmental elements only and forms no part of the claimed design.



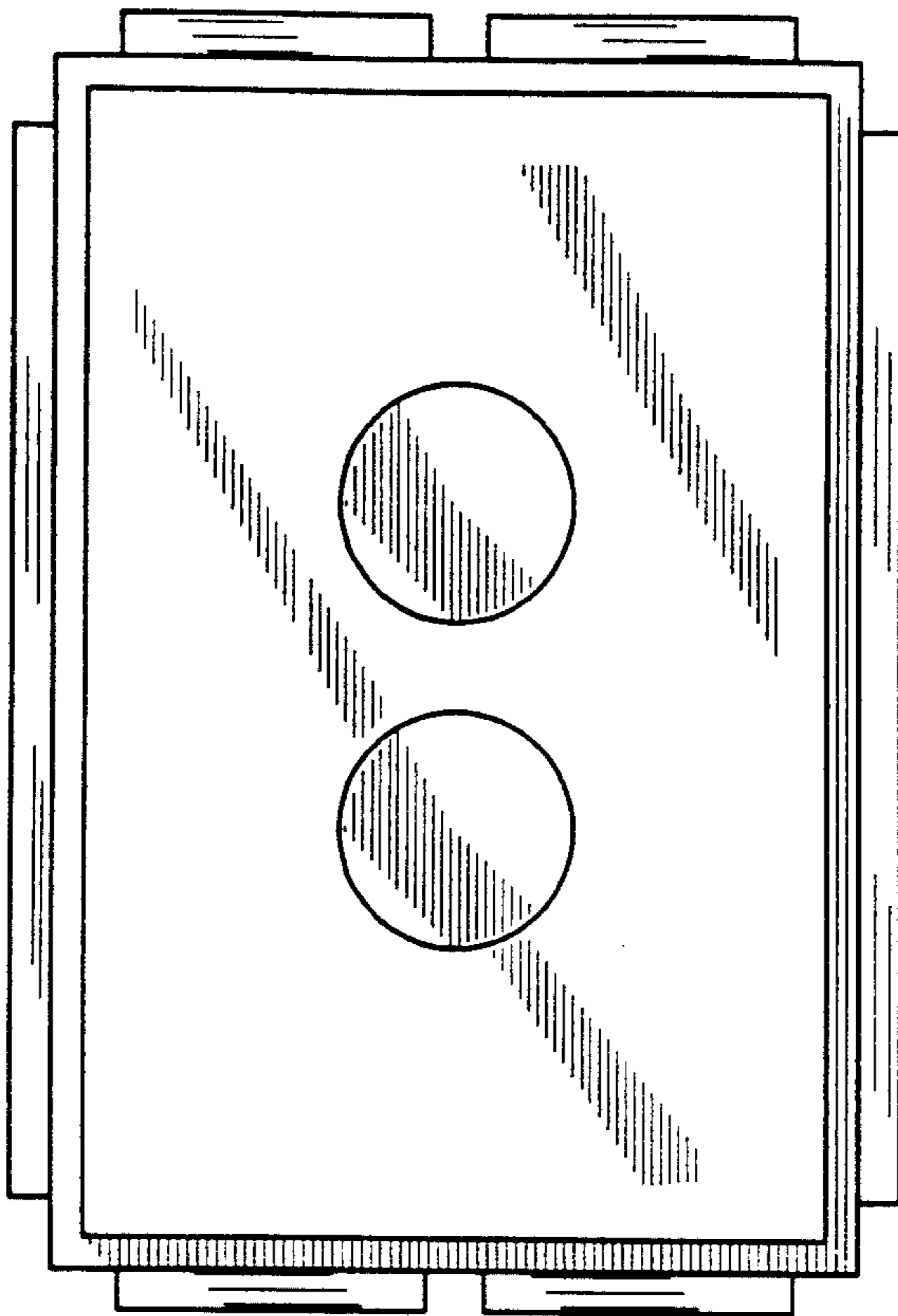


FIG. 1

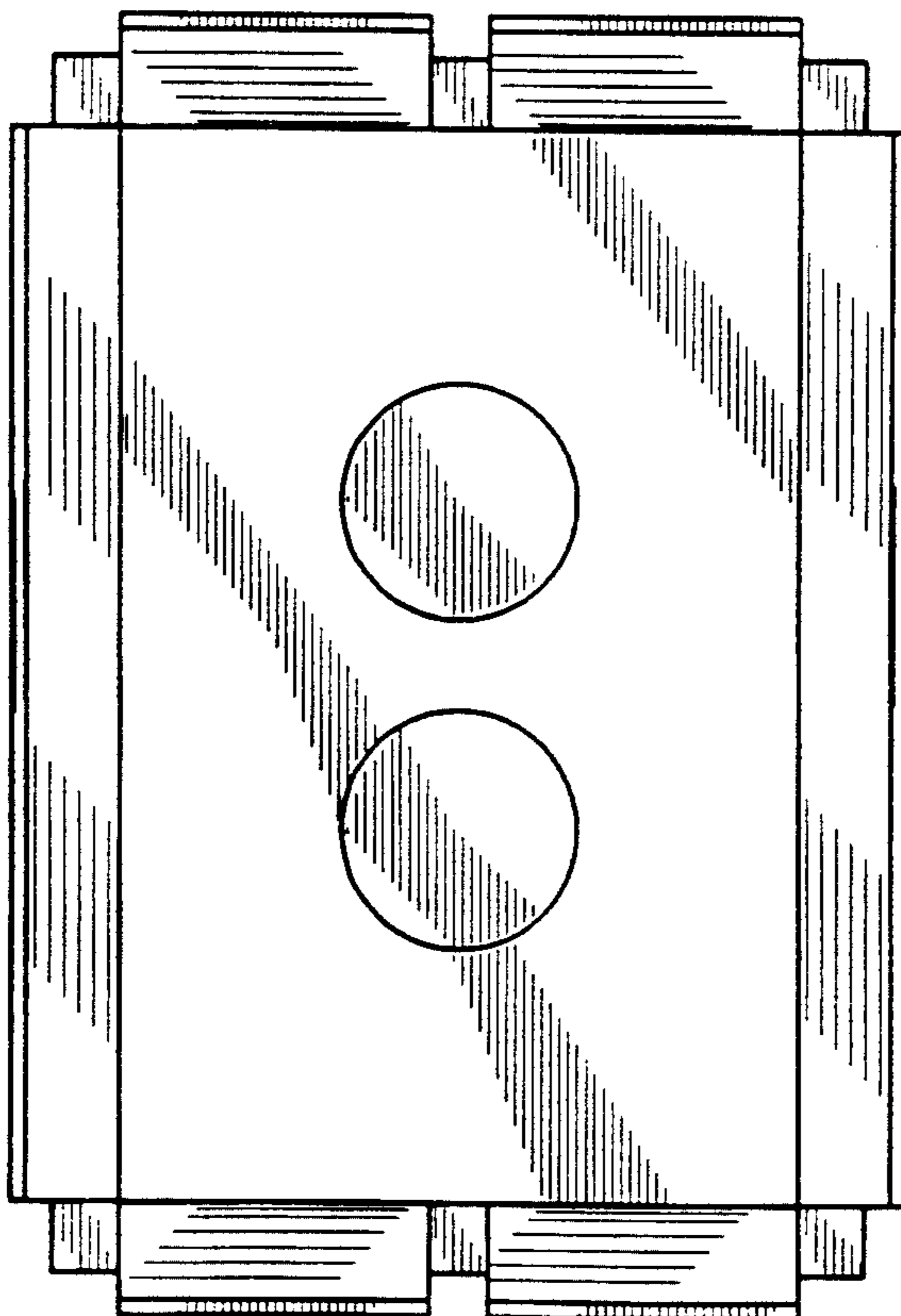


FIG. 2

FIG. 3

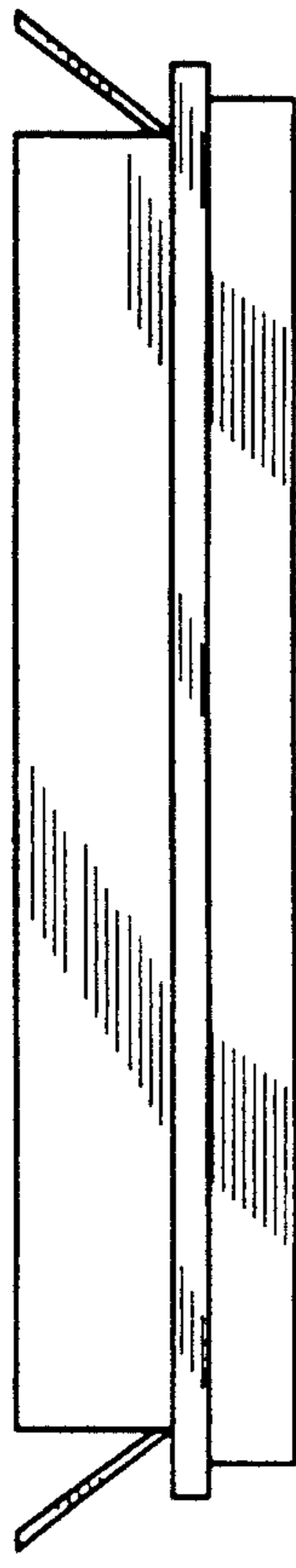


FIG. 4

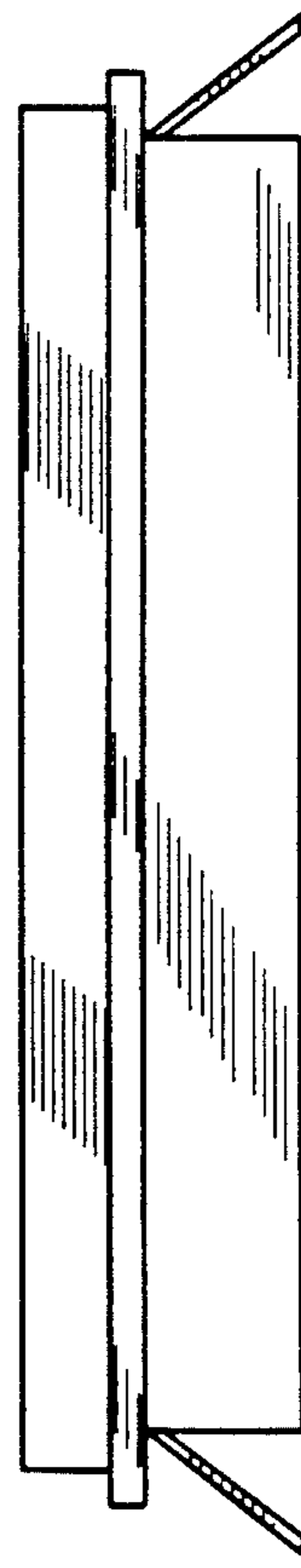


FIG. 5

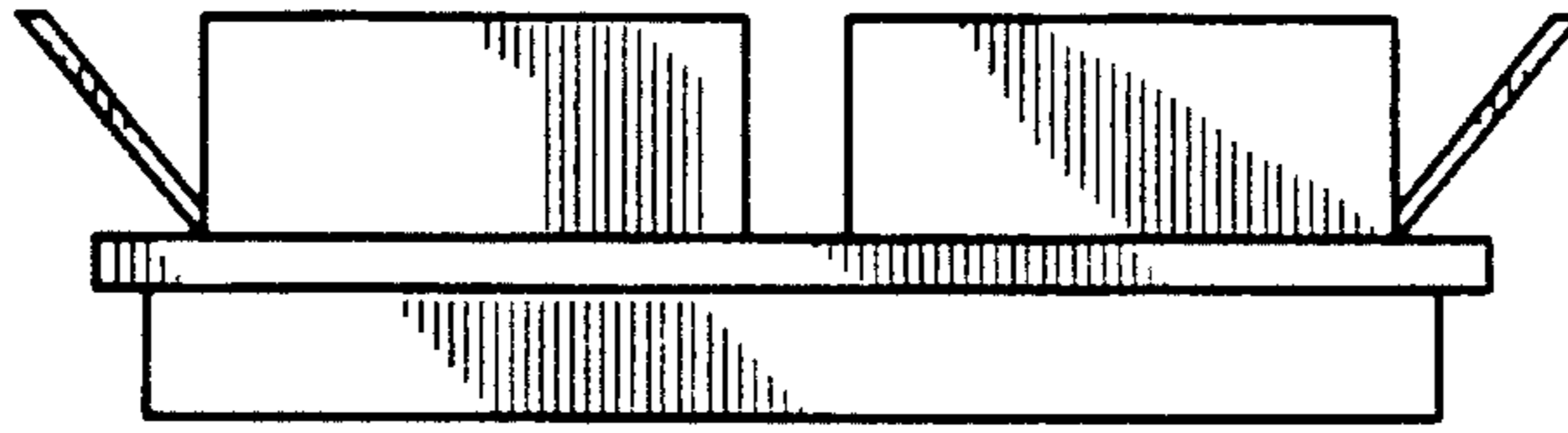
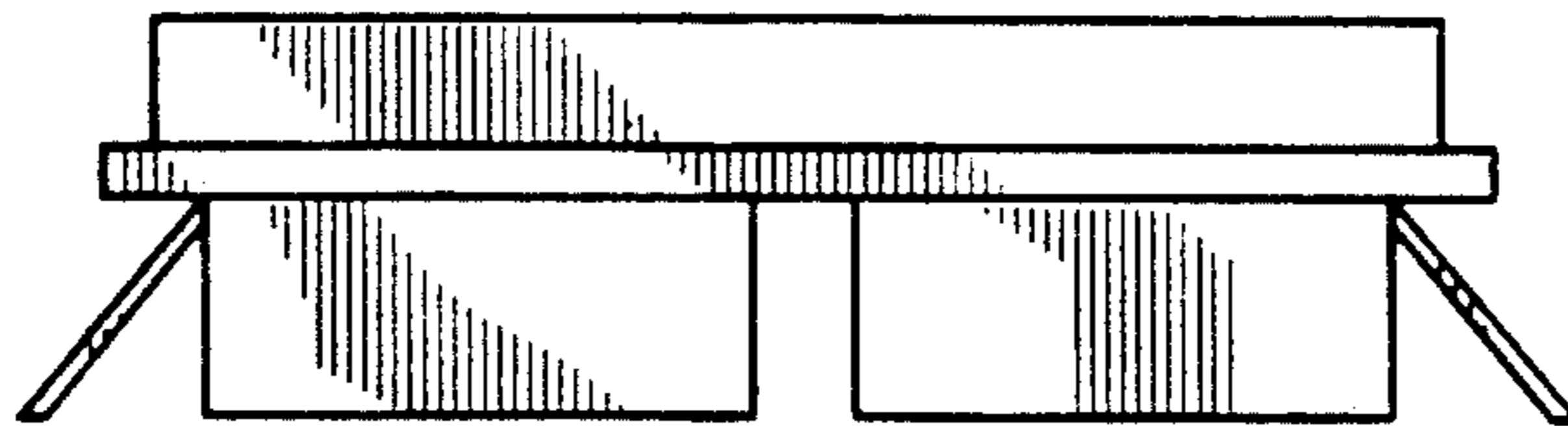


FIG. 6



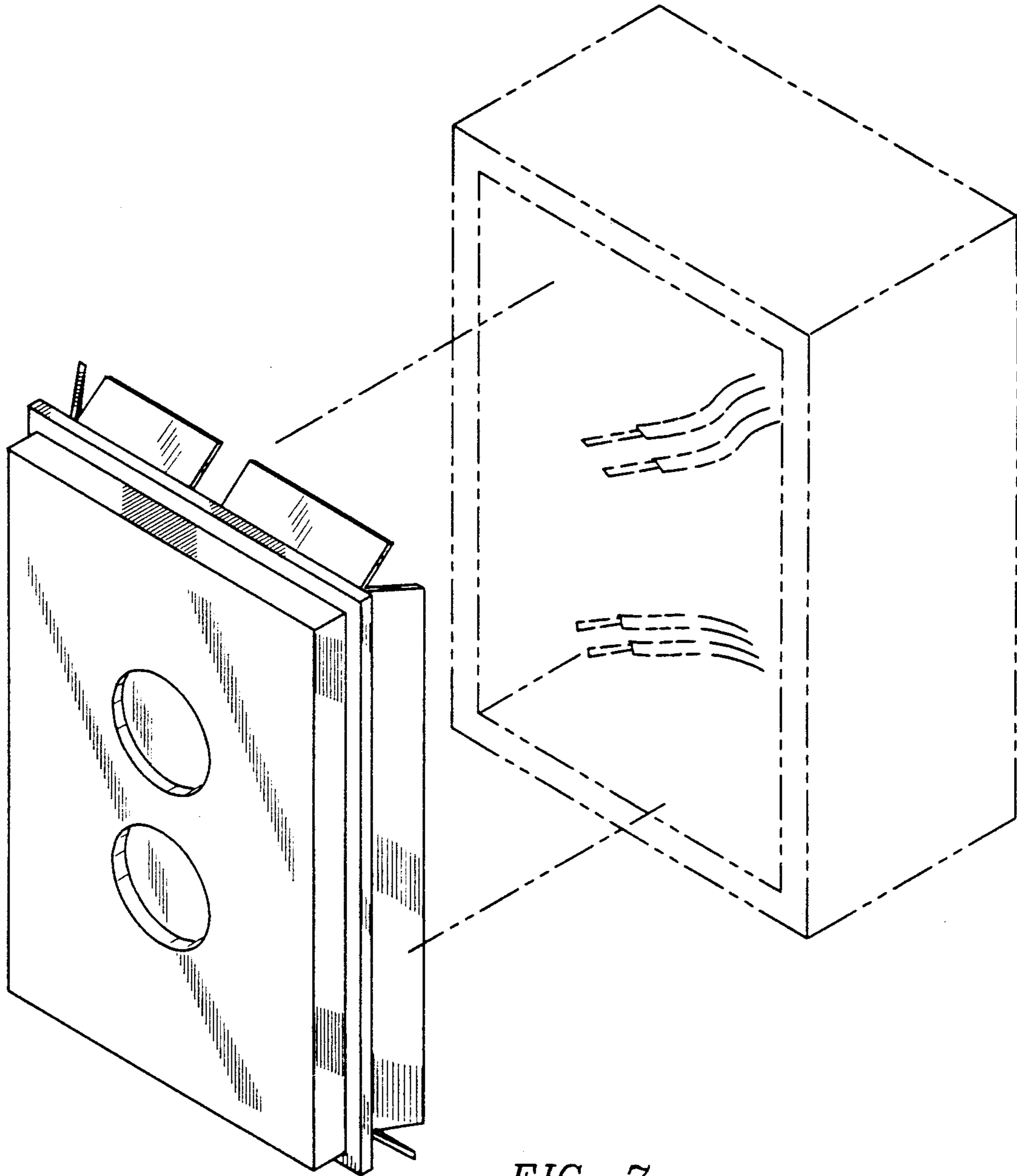


FIG. 7