



US00D345136S

# United States Patent [19]

[11] Patent Number: **Des. 345,136**

Schlangen et al.

[45] Date of Patent: **\*\* Mar. 15, 1994**

- [54] **PERSONALIZED WATERCRAFT**
- [75] Inventors: **Phillip E. Schlangen; Raymond J. Buresch**, both of Minneapolis, Minn.
- [73] Assignee: **Hydro-Bikes, Inc.**, Minneapolis, Minn.
- [\*\*] Term: **14 Years**
- [21] Appl. No.: **922,097**
- [22] Filed: **Jul. 31, 1992**
- [52] U.S. Cl. .... **D12/306; D12/300**
- [58] Field of Search ..... **440/27, 35; 114/61, 114/283, 270; D12/300, 306**

4,836,298 6/1989 Laboureau ..... 114/283  
 4,968,274 11/1990 Gregory ..... 440/27

### OTHER PUBLICATIONS

Scientific American, "Human-Powered Watercraft" brochure Dec. 1986.

*Primary Examiner*—Kay H. Chin  
*Attorney, Agent, or Firm*—Richard O. Bartz

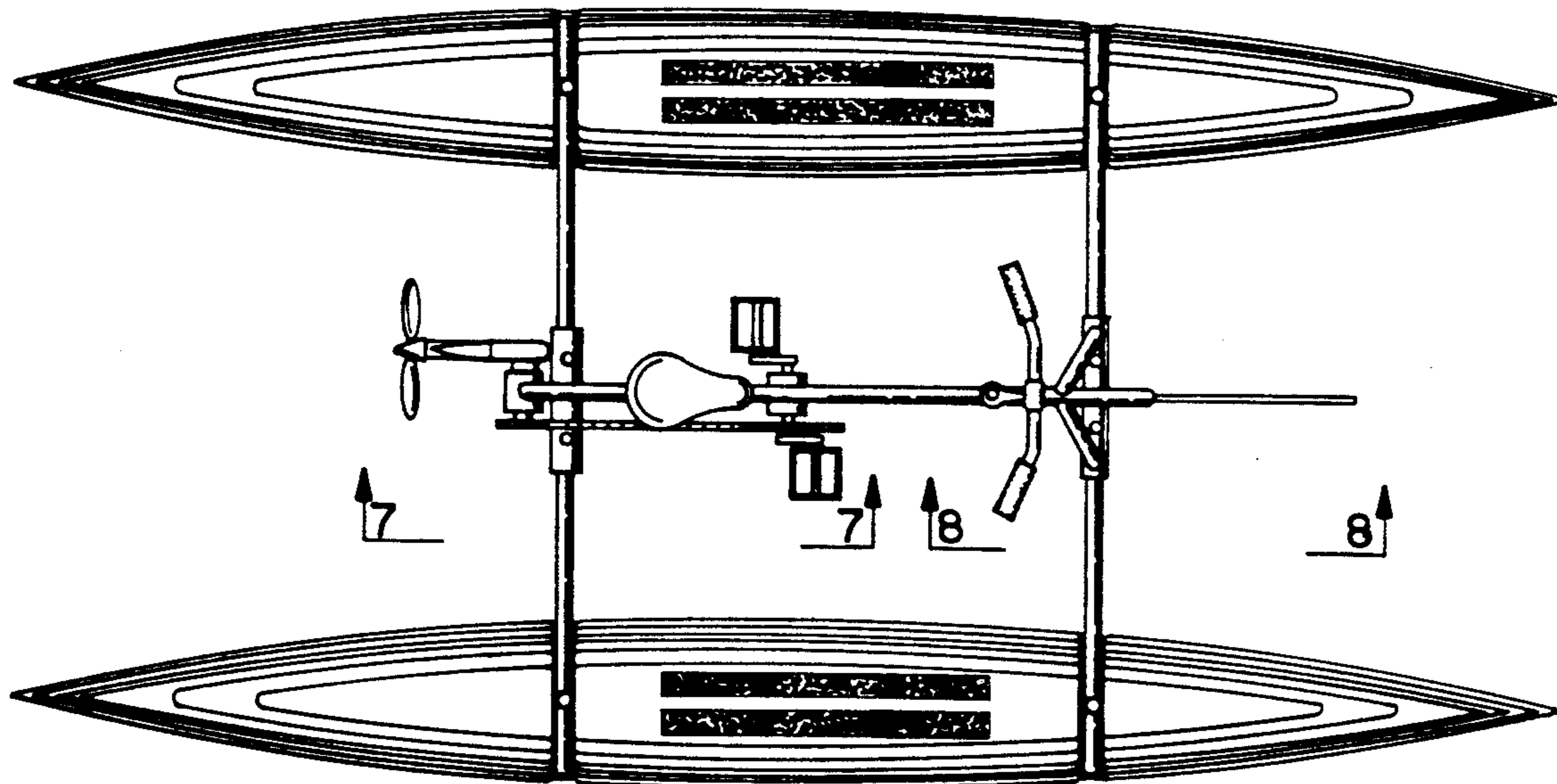
### [57] CLAIM

The ornamental design for a personalized watercraft, as shown and described.

### DESCRIPTION

FIG. 1 is a top plan view of the personalized watercraft showing our new design;  
 FIG. 2 is a side elevational view of the right side thereof;  
 FIG. 3 is a side elevational view of the left side thereof;  
 FIG. 4 is a front elevational view thereof;  
 FIG. 5 is a rear elevational view thereof;  
 FIG. 6 is a bottom plan view thereof;  
 FIG. 7 is an enlarged sectional view taken along the line 7—7 of FIG. 1; and,  
 FIG. 8 is an enlarged view taken along the line 8—8 of FIG. 1.

- [56] **References Cited**
- U.S. PATENT DOCUMENTS**
- D. 321,854 11/1991 Foley et al. .... D12/306
- 637,547 11/1899 Clark .
- 1,761,883 6/1930 Froedtert .
- 2,177,074 10/1939 Mattson .
- 3,352,276 11/1939 Zimmerman .
- 3,593,684 7/1971 Cogliano .
- 4,021,873 5/1977 Francois .
- 4,323,352 4/1982 Warren et al. .... 440/27
- 4,493,657 1/1985 Zeitler .



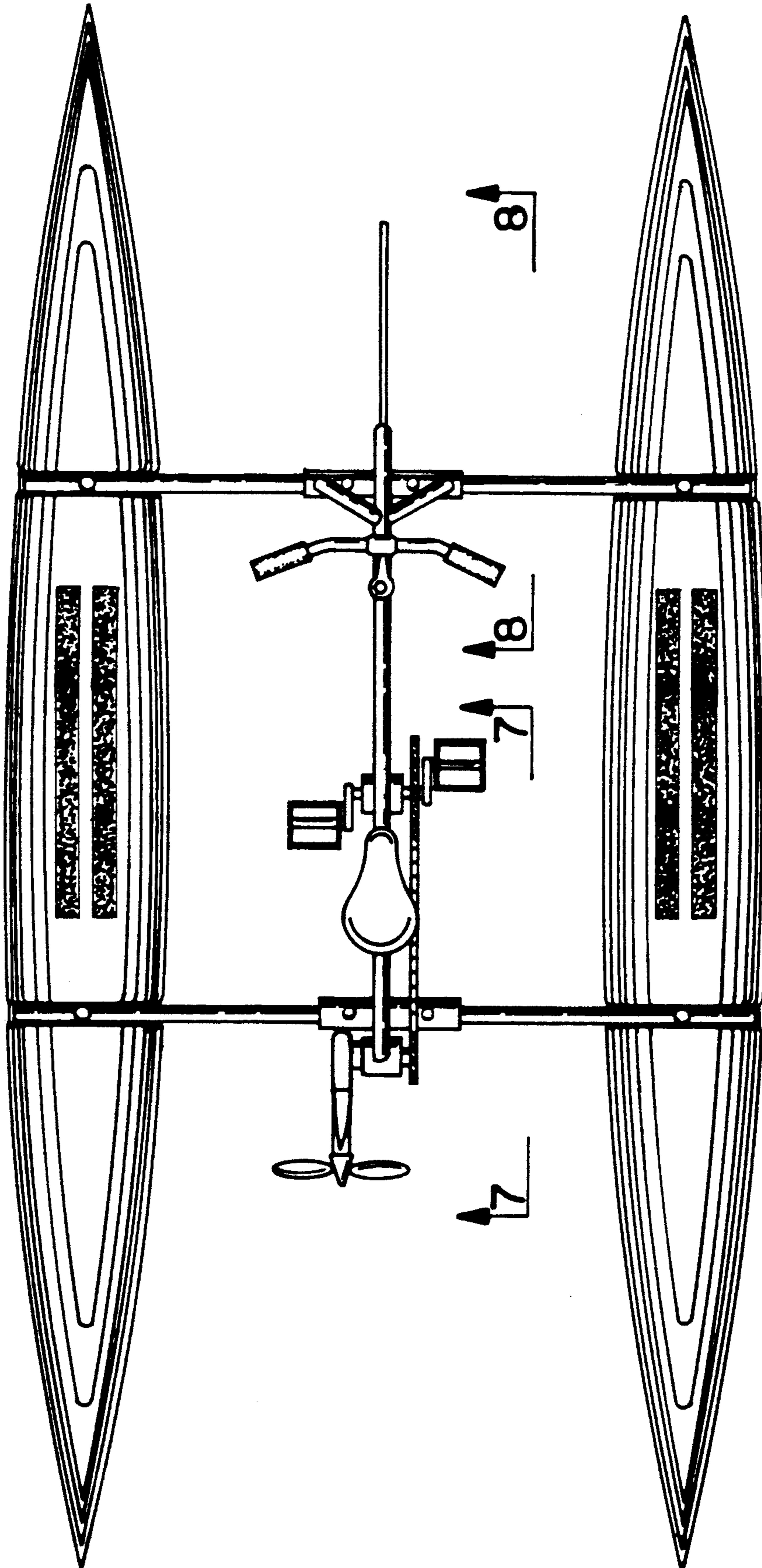


FIG. 1

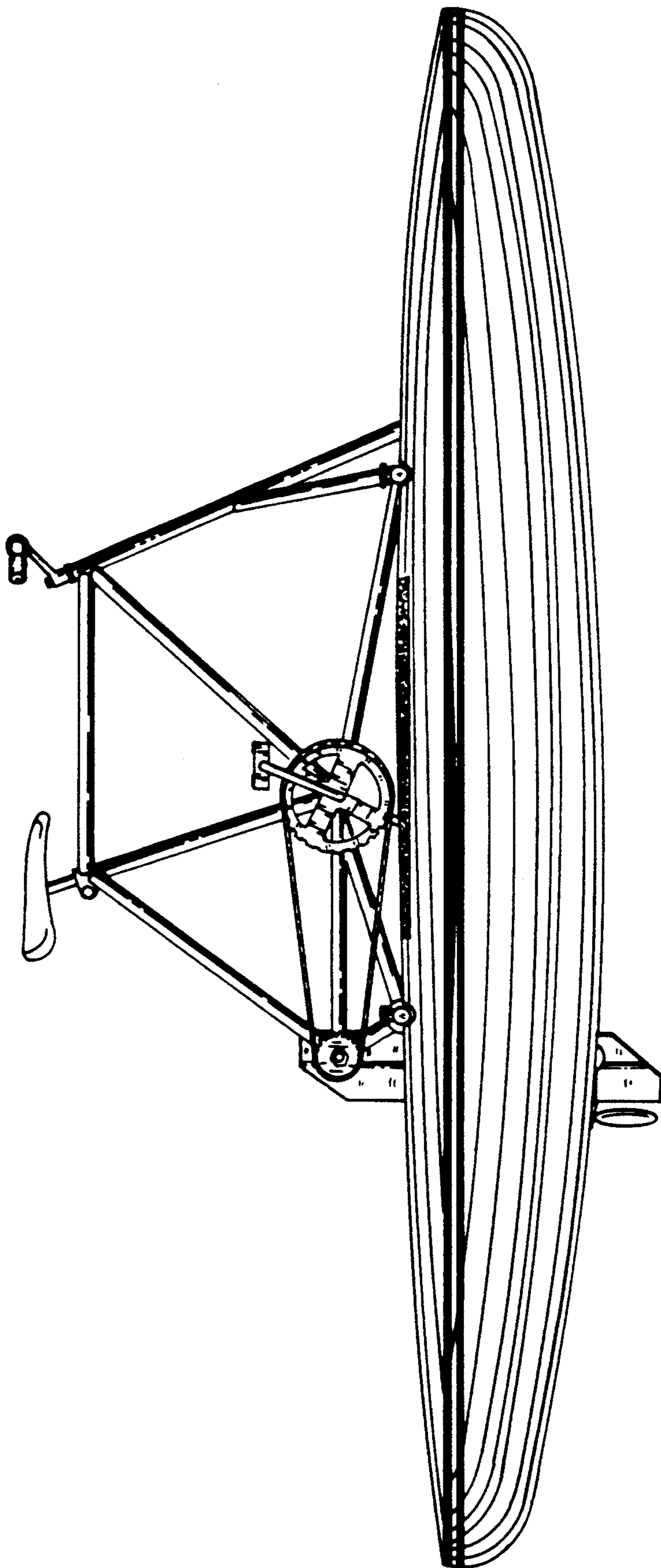


FIG. 2

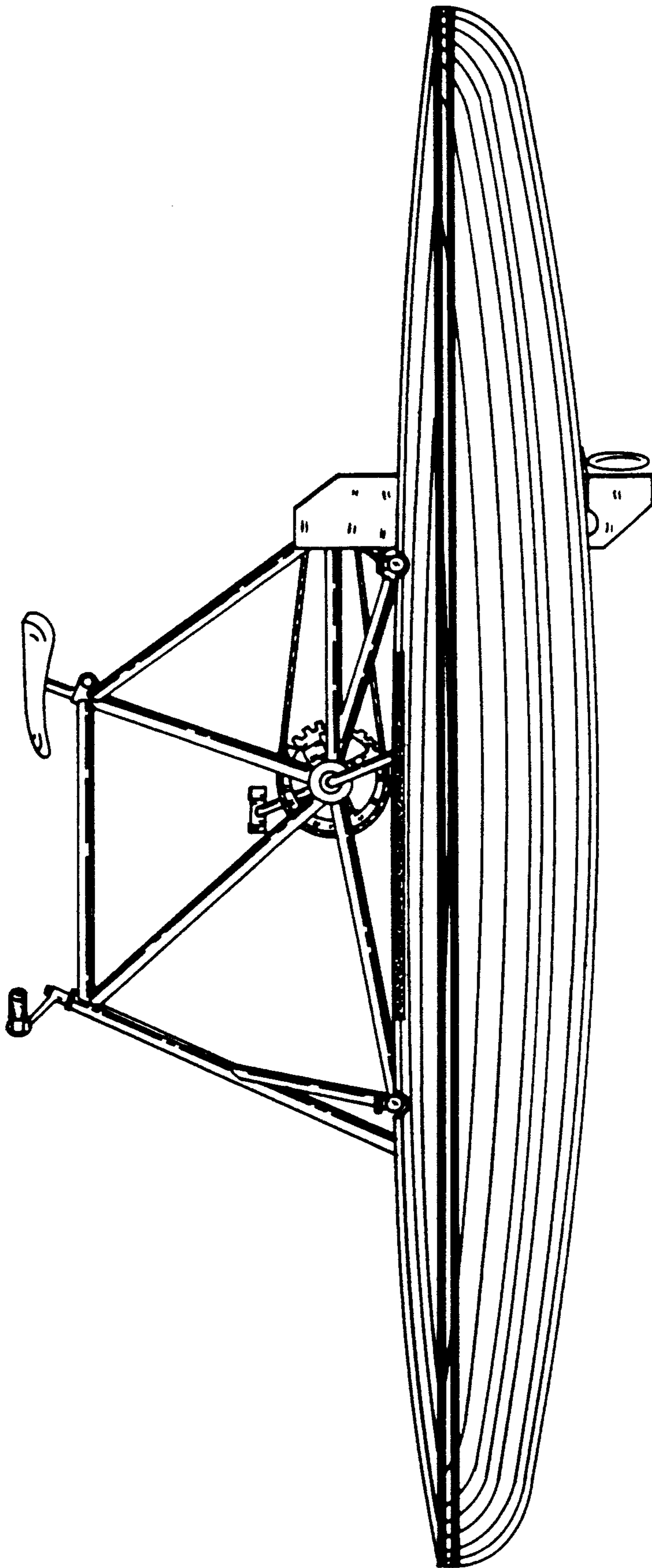


FIG. 3

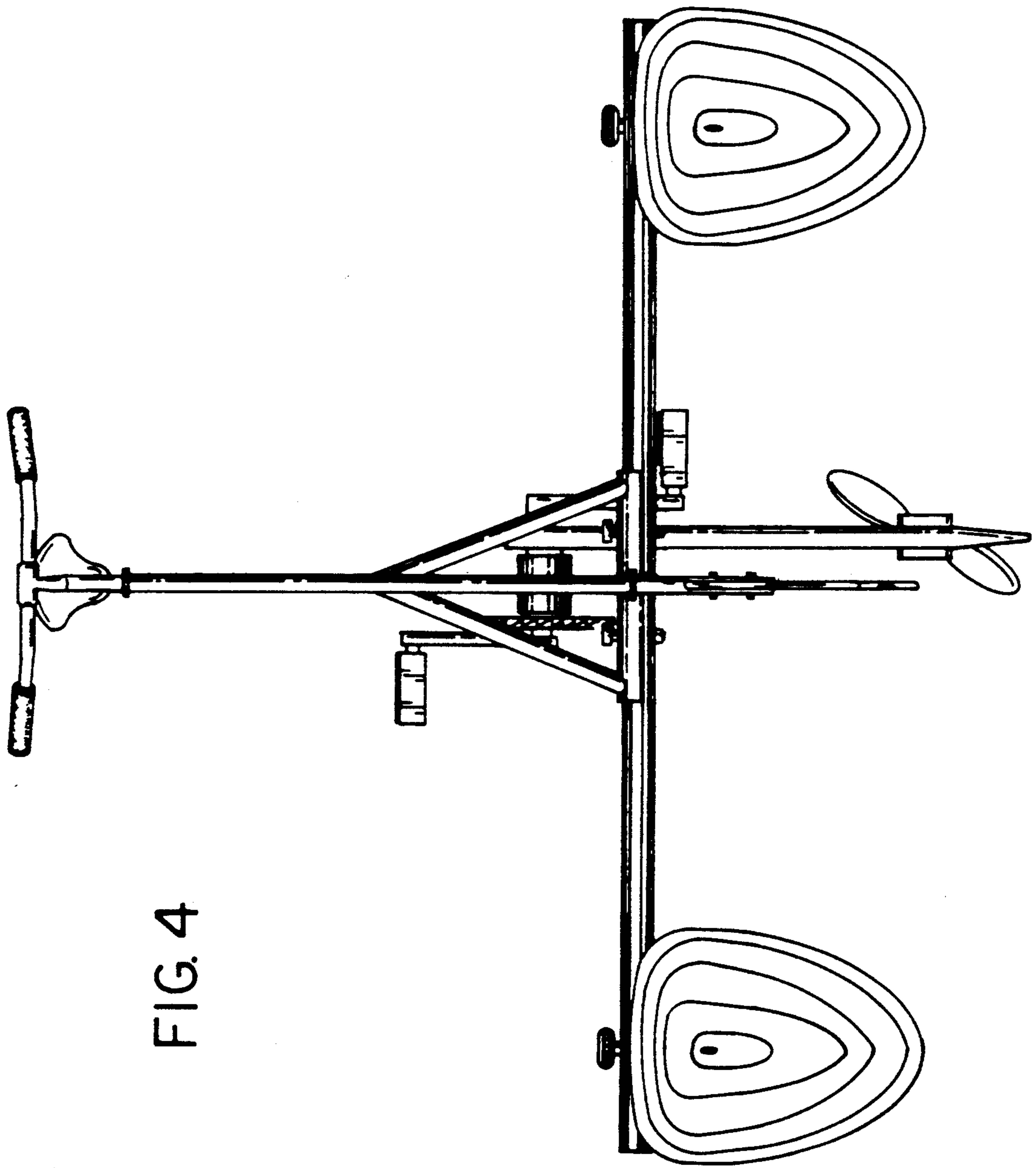


FIG. 4

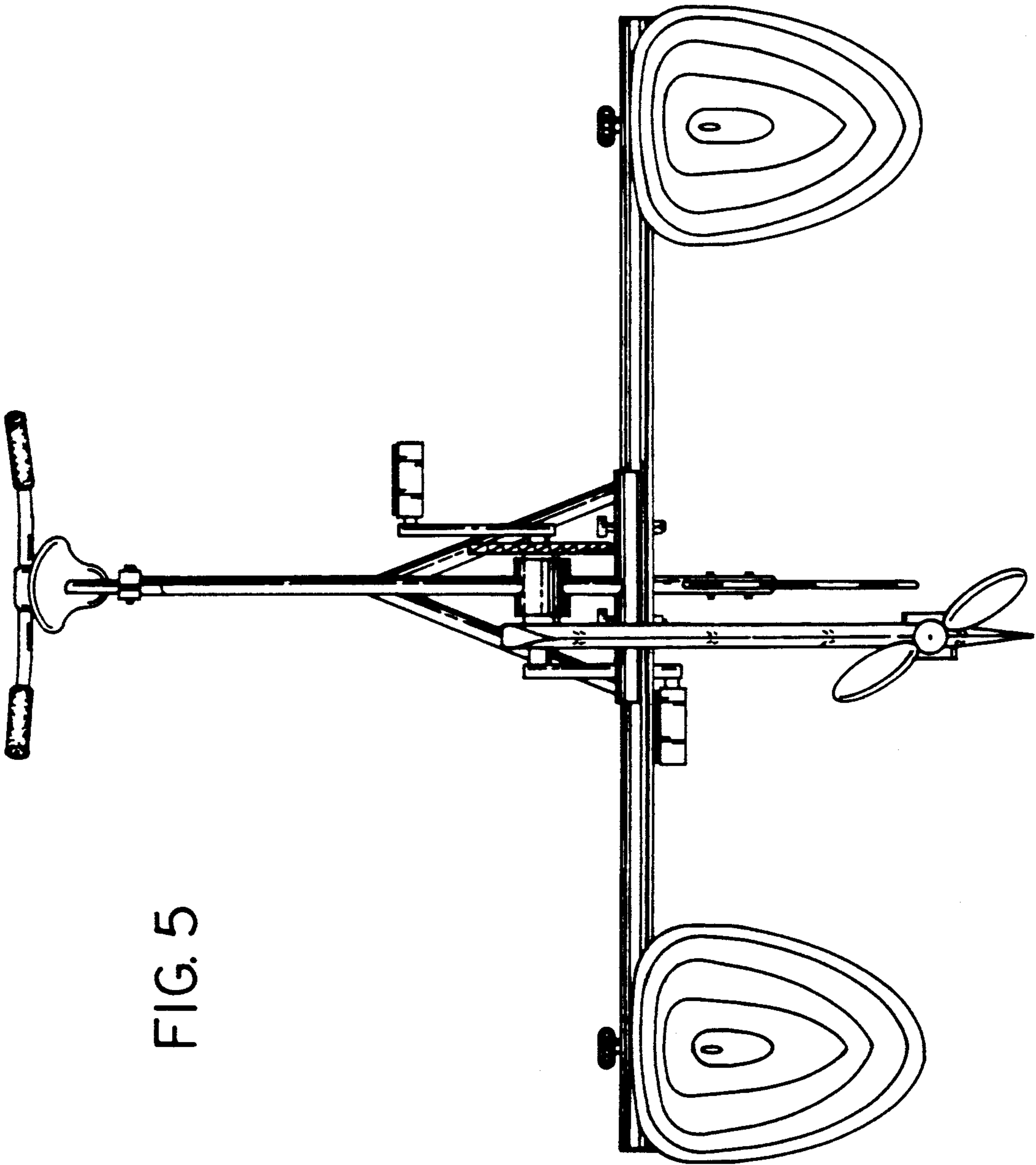


FIG. 5

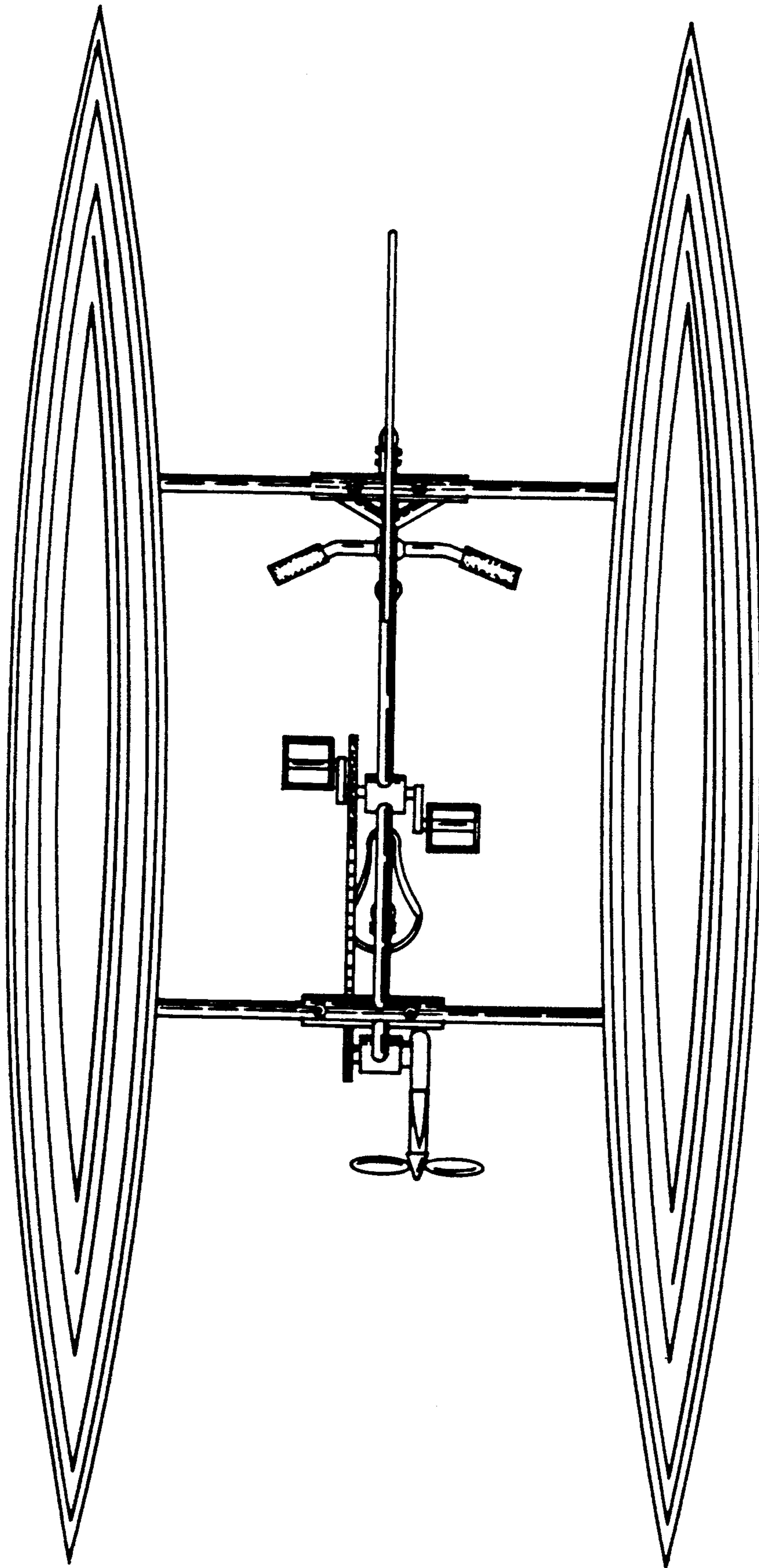


FIG.6

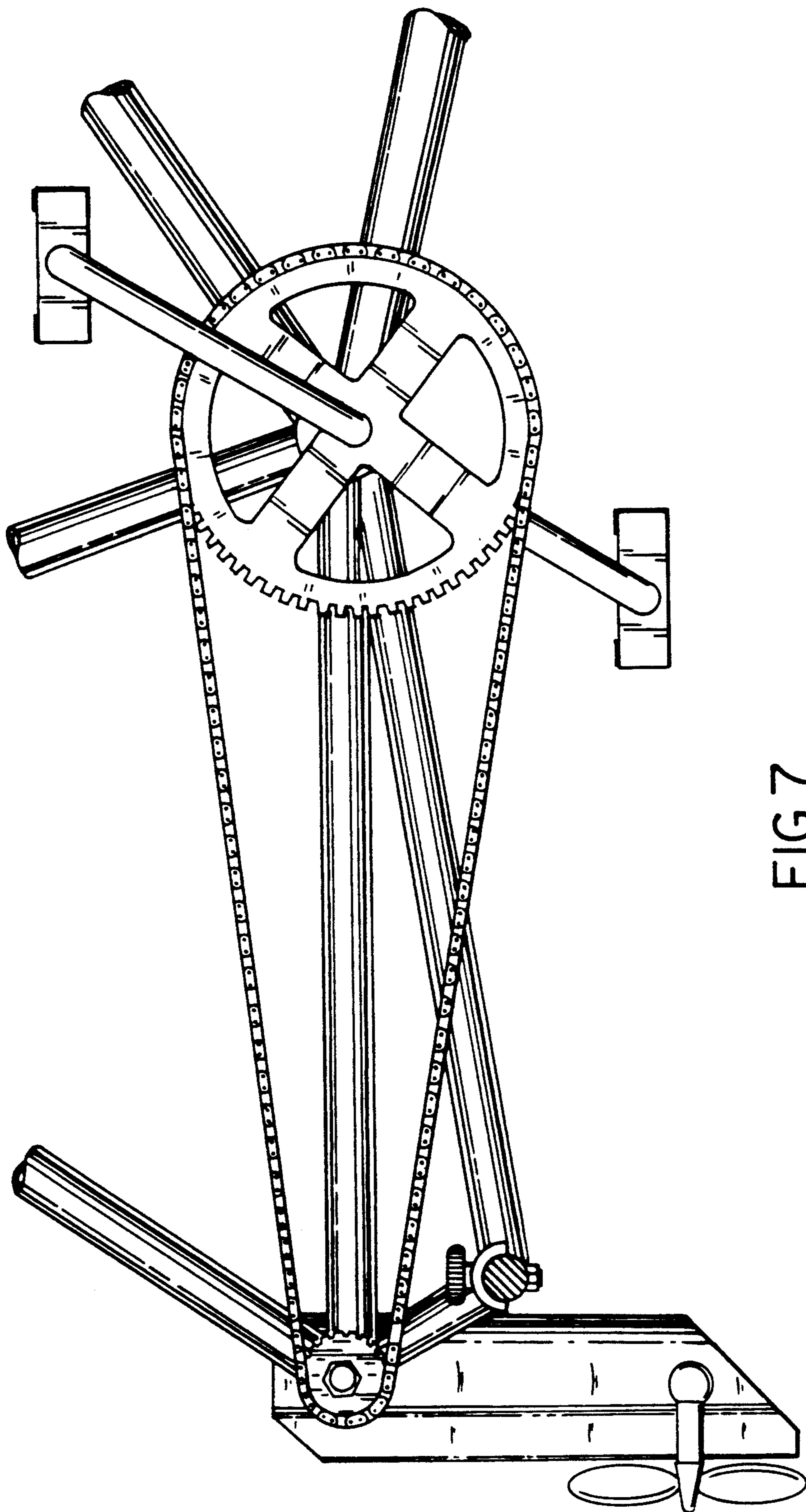


FIG. 7



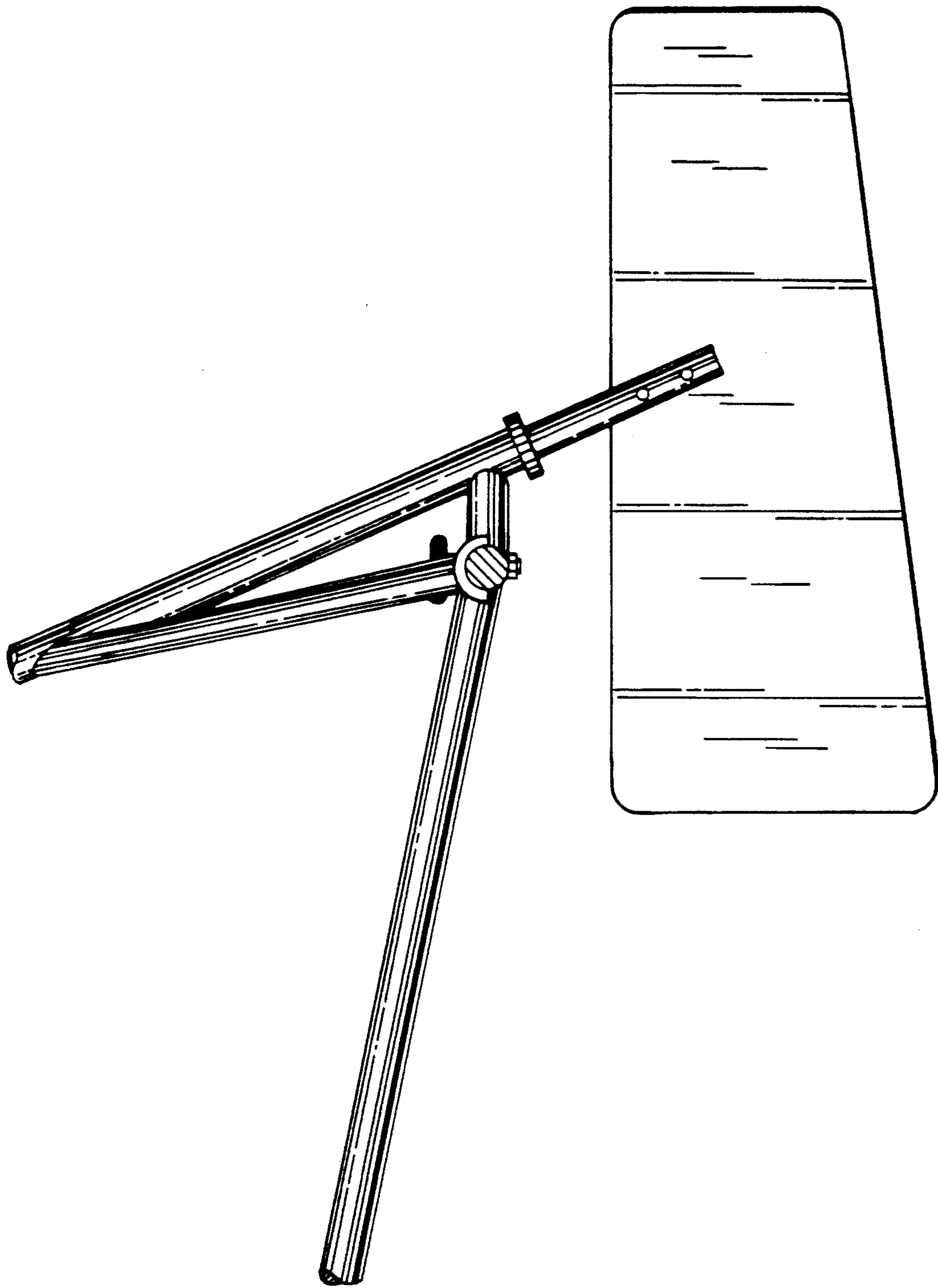


FIG. 8