



US00D345130S

United States Patent [19]

Schattner

[11] Patent Number: **Des. 345,130**

[45] Date of Patent: **** Mar. 15, 1994**

[54] **PEDIATRIC TRANSPORTER**

[75] Inventor: **Robert L. Schattner**, Cherry Hill, N.J.

[73] Assignee: **Omnimed, Inc.**, Maple Shade, N.J.

[**] Term: **14 Years**

[21] Appl. No.: **216**

[22] Filed: **Oct. 6, 1992**

[52] U.S. Cl. **D12/133; D21/71; D34/27**

[58] Field of Search **280/47.38, 87.01, 47.371; D34/12, 17, 19, 27; D12/128, 133; D24/190; D21/71**

[56] **References Cited**

U.S. PATENT DOCUMENTS

- D. 91,862 1/1934 Eck D21/71
- D. 209,313 11/1967 Appel D21/71

- D. 316,576 4/1991 Van Huyslee D21/71
- 1,893,193 1/1933 Blackmore D21/71
- 4,763,907 8/1988 Raymond 280/47.38

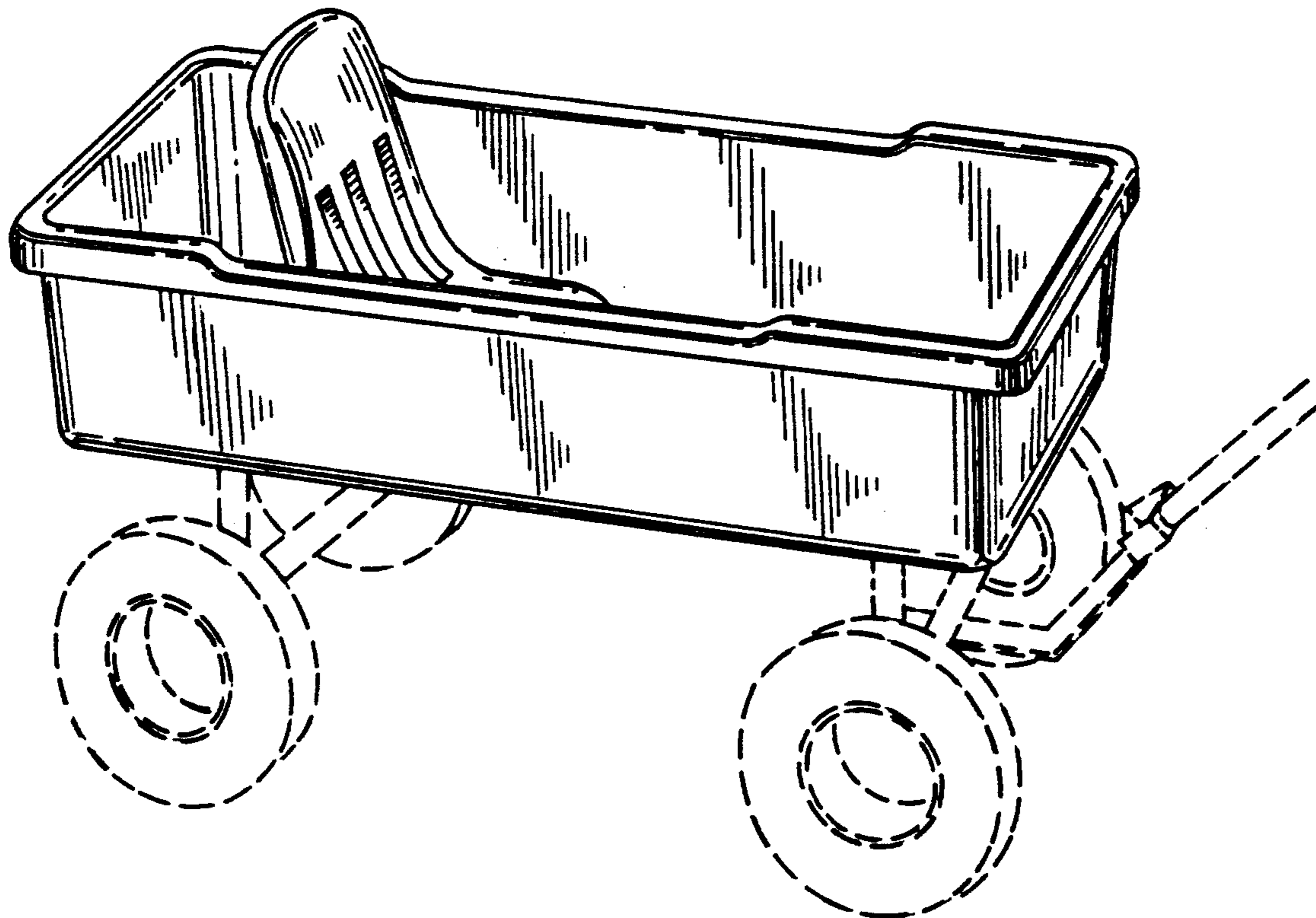
Primary Examiner—Kay H. Chin
Attorney, Agent, or Firm—Wigman, Cohen, Leitner & Myers

[57] **CLAIM**

The ornamental design for a pediatric transporter, as shown and described.

DESCRIPTION

FIG. 1 is a top perspective view of a pediatric transporter showing my new design;
 FIG. 2 is a side elevational view thereof;
 FIG. 3 is a top plan view thereof;
 FIG. 4 is an bottom plan thereof;
 FIG. 5 is a front elevational view thereof; and,
 FIG. 6 is a rear elevational view thereof.
 The broken line disclosure of wheels shown in FIGS. 1 and 2 is not part of the claimed design.



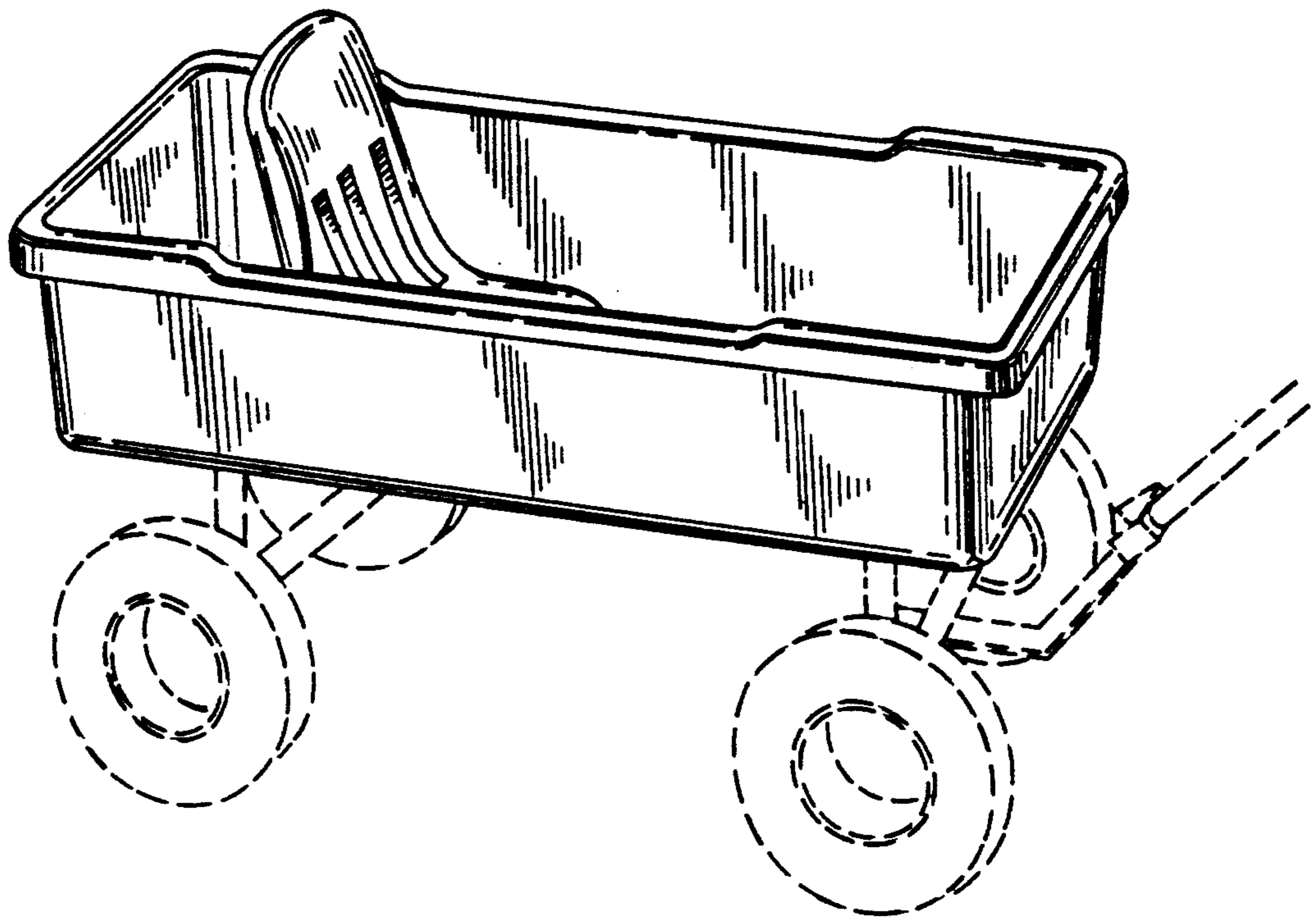


FIG. 1

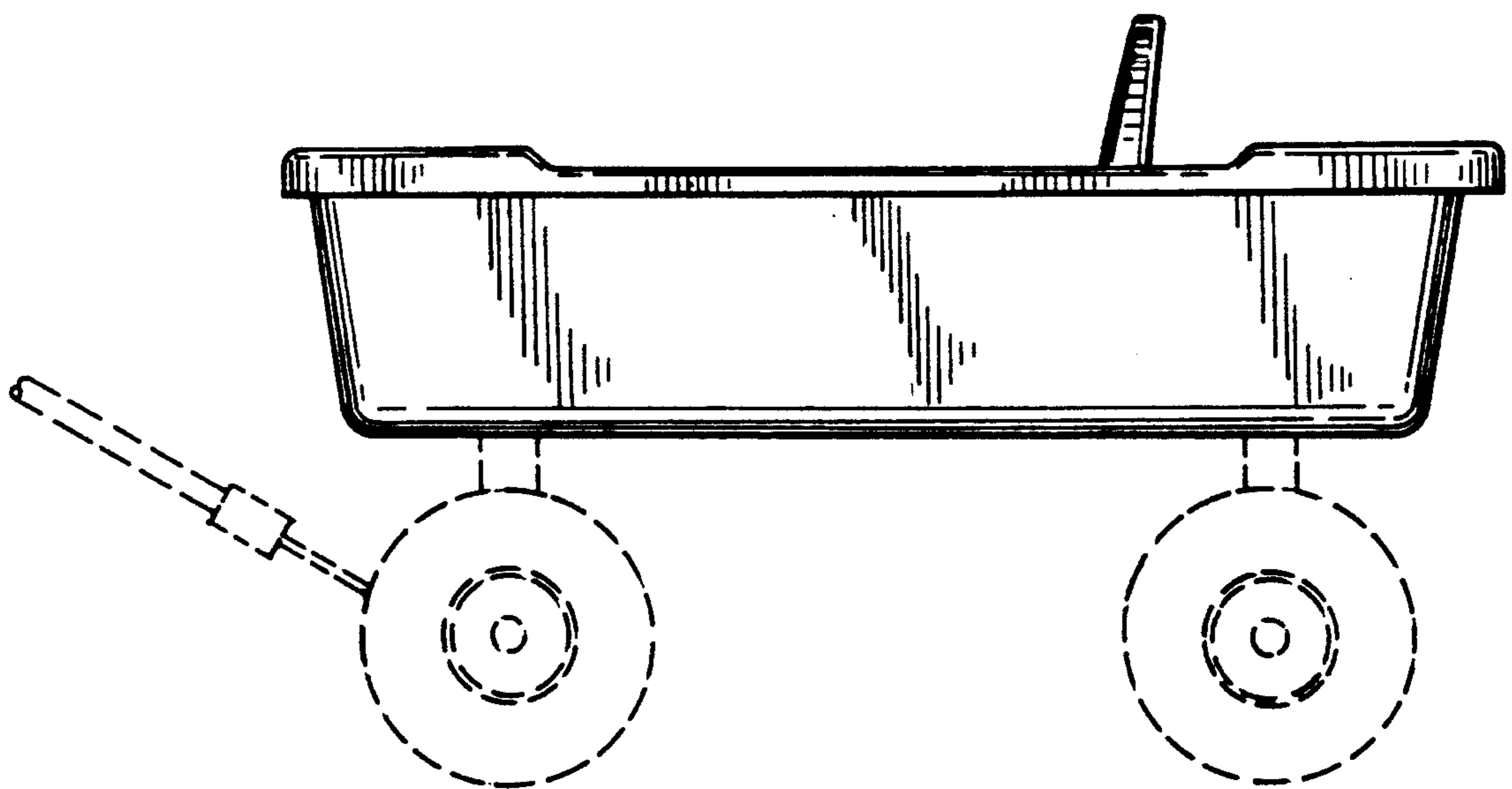


FIG. 2

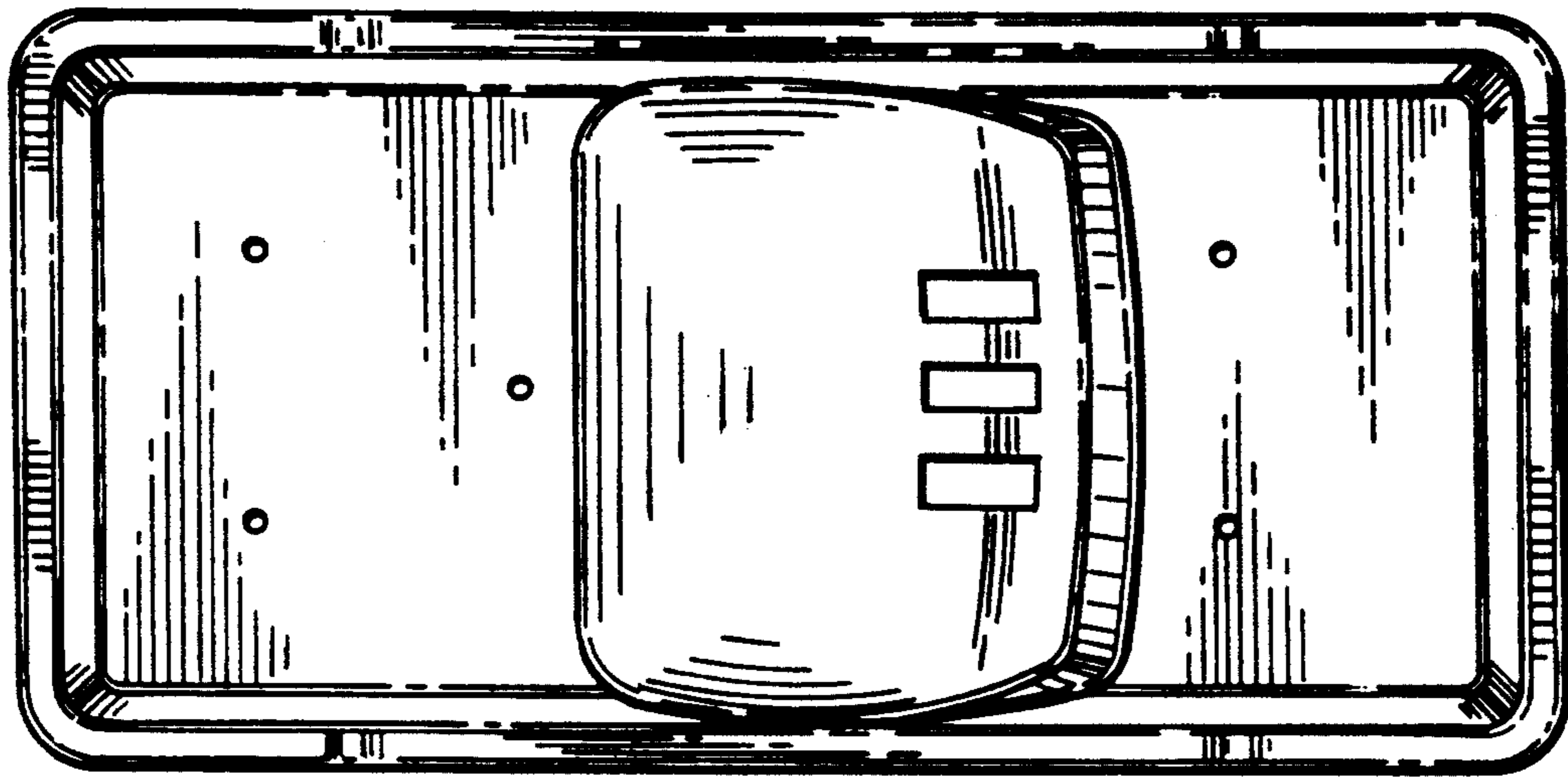


FIG. 3

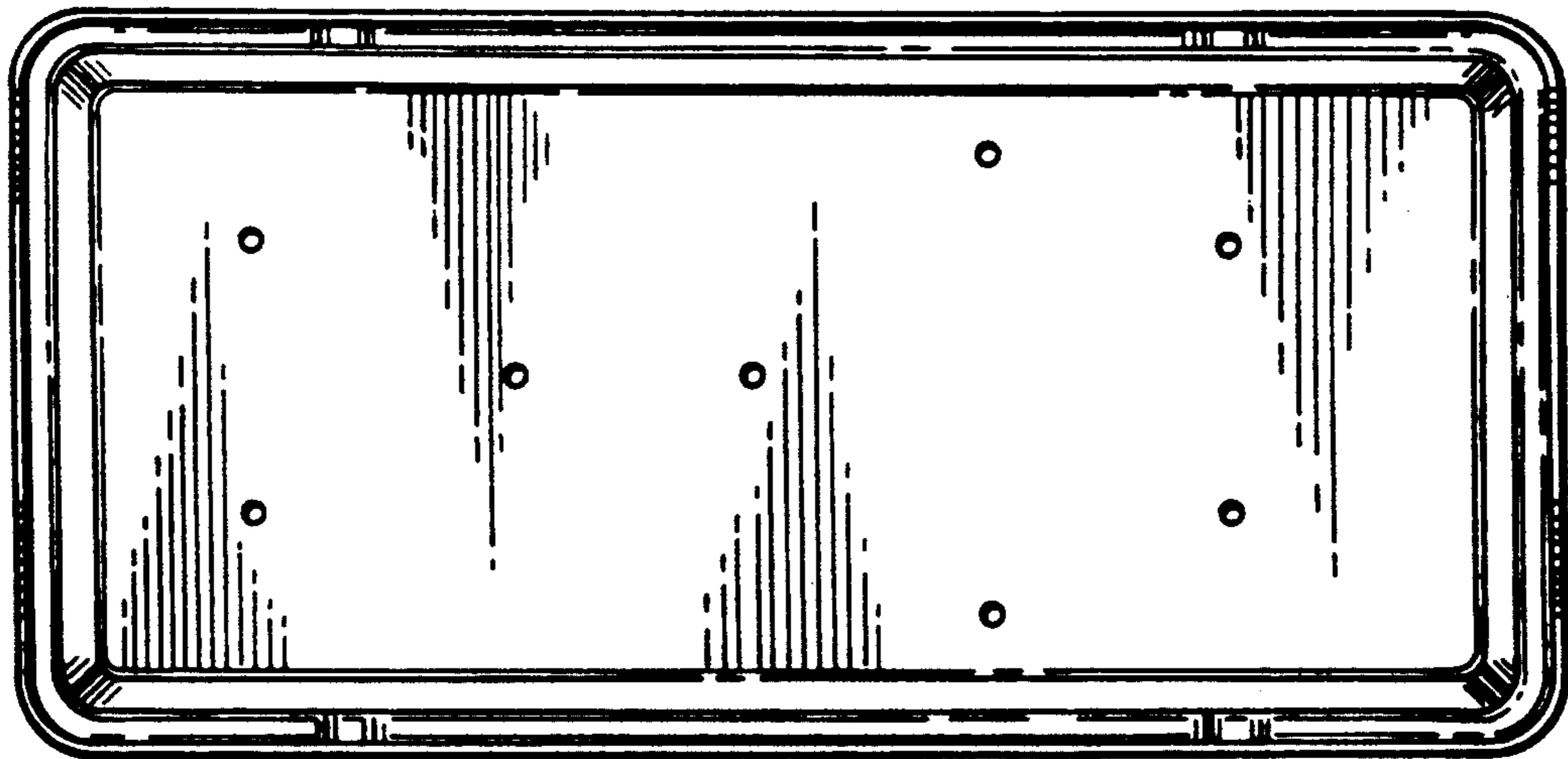


FIG. 4

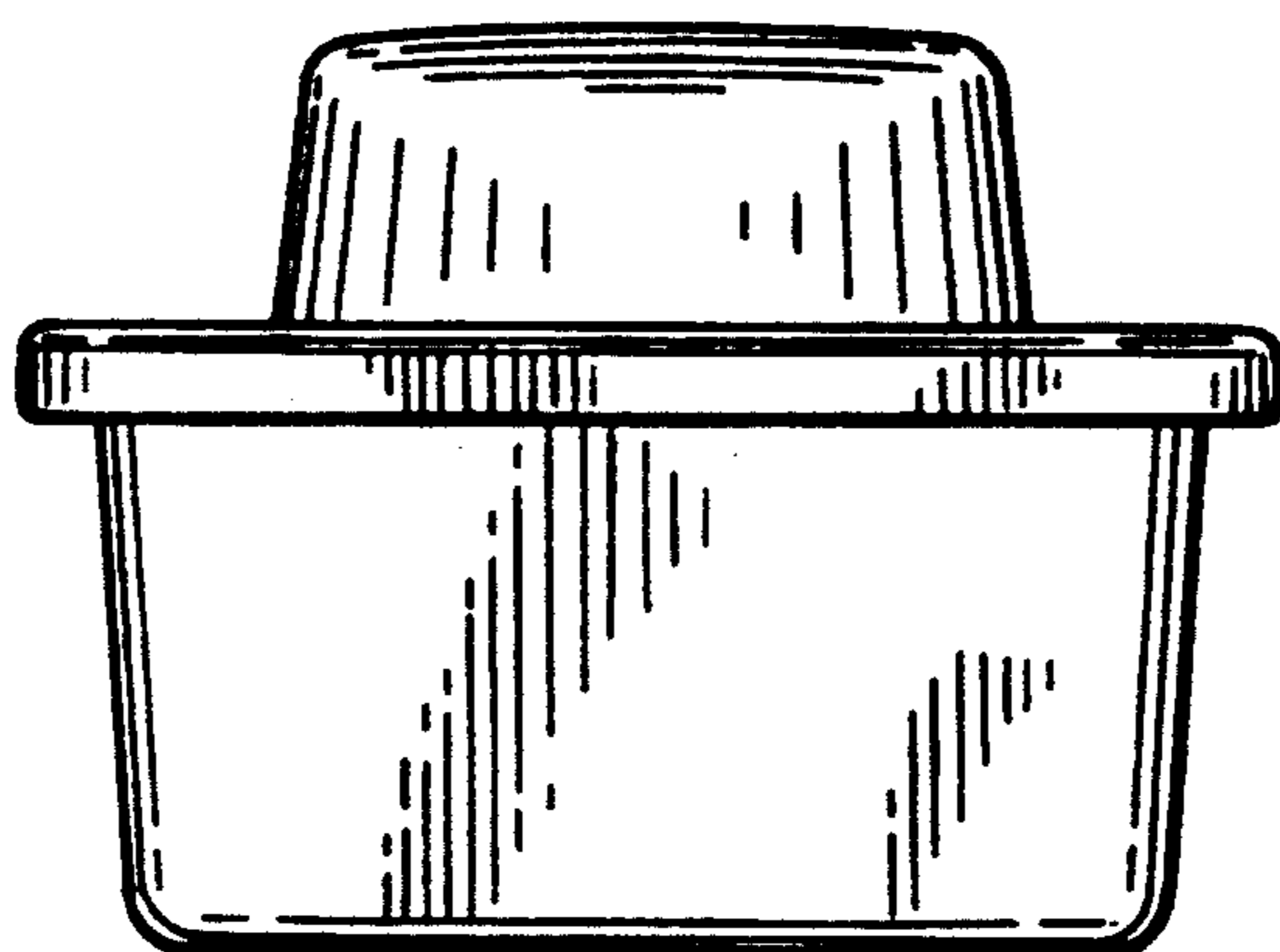


FIG. 5

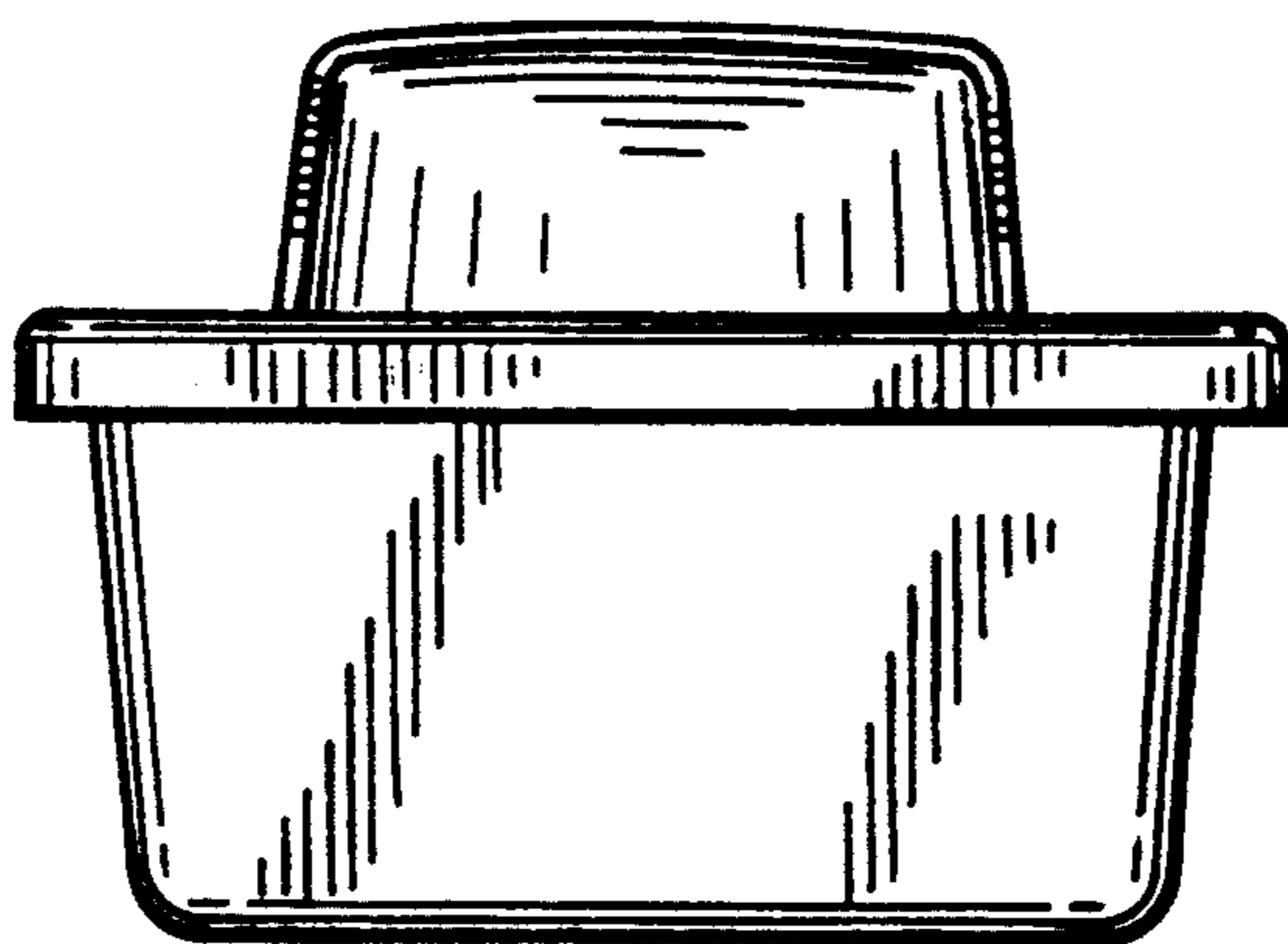


FIG. 6