



US00D345129S

United States Patent [19]

[11] Patent Number: **Des. 345,129**

Buffum et al.

[45] Date of Patent: **** Mar. 15, 1994**

[54] **WHEELCHAIR ROCKER**

[76] Inventors: **Harold E. Buffum**, 1061 W. 400 South, Kokomo, Ind. 46902; **Paul E. McGaffney**, Box 243, Amboy, Ind. 46911

[**] Term: **14 Years**

[21] Appl. No.: **922,954**

[22] Filed: **Jul. 30, 1992**

[52] U.S. Cl. **D12/133; D12/131**

[58] Field of Search 297/133, 270; 280/305, 280/8; D12/128, 131, 133

[56] **References Cited**

U.S. PATENT DOCUMENTS

2,662,581	12/1953	Gottfried	297/133
3,306,660	2/1967	Williams	297/133
3,556,587	1/1971	Rymes	297/133
4,079,991	3/1978	Harris	297/133
4,832,357	5/1989	Crew	D12/131

Primary Examiner—Kay H. Chin

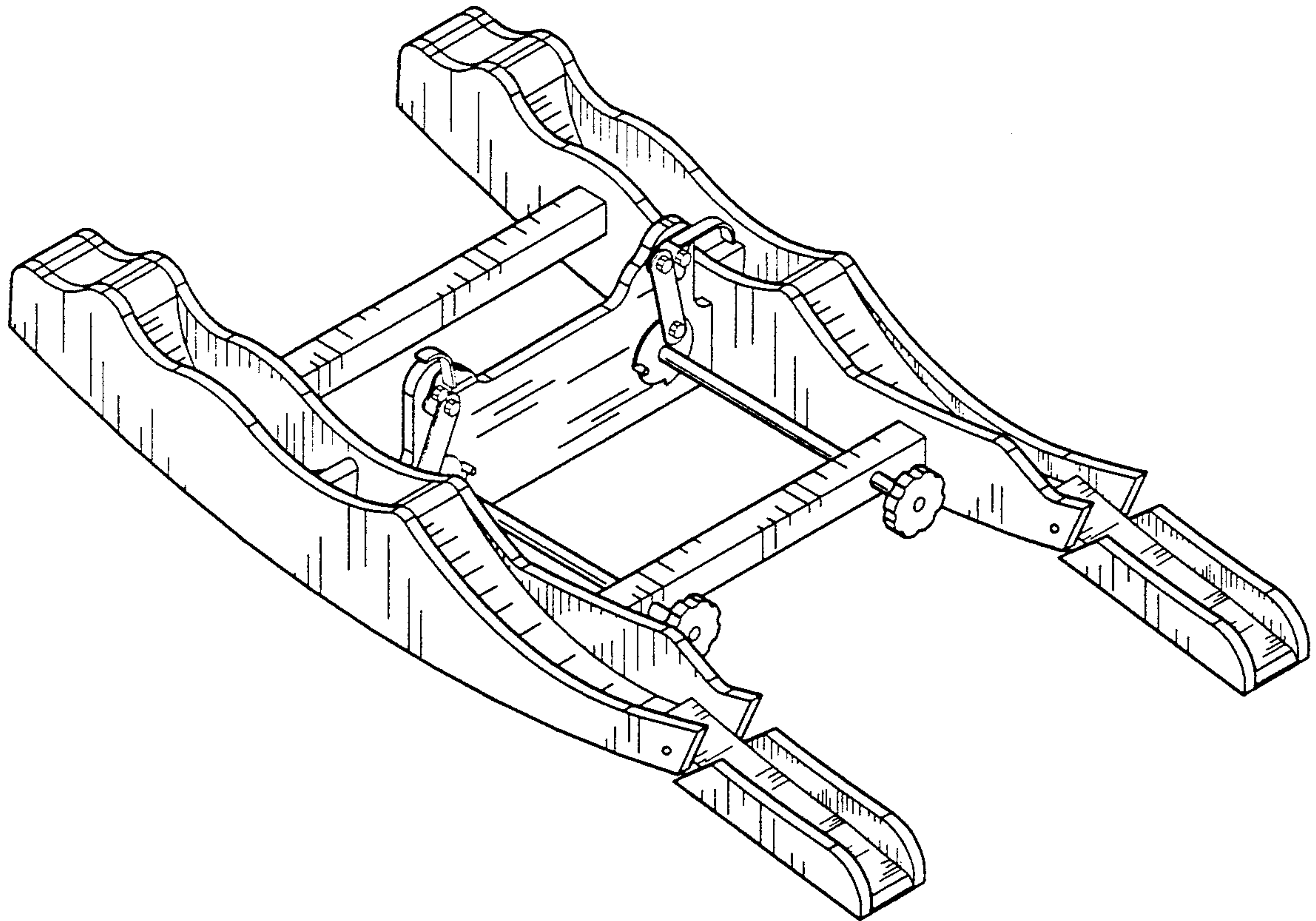
Attorney, Agent, or Firm—Woodard, Emhardt, Naughton Moriarty & McNett

[57] **CLAIM**

The ornamental design for a wheelchair rocker, as shown and described.

DESCRIPTION

FIG. 1 is a perspective view of a wheelchair rocker incorporating our new design;
 FIG. 2 is a top plan view of the wheelchair rocker of FIG. 1;
 FIG. 3 is a side elevation of the wheelchair rocker of FIGS. 1 and 2, the opposite side being a mirror image;
 FIG. 4 is a bottom plan view of the wheelchair rocker of FIGS. 1, 2 and 3;
 FIG. 5 is a rear elevation of the wheelchair rocker of FIGS. 1, 2, 3 and 4 in an enlarged scale;
 FIG. 6 is a front elevation of the structure of FIGS. 1-5, also in an enlarged scale; and,
 FIG. 7 is a side elevation of the wheelchair rocker of FIGS. 1-6 showing it in association with a wheelchair which is shown in dotted lines to illustrate the environment of the wheelchair rocker.



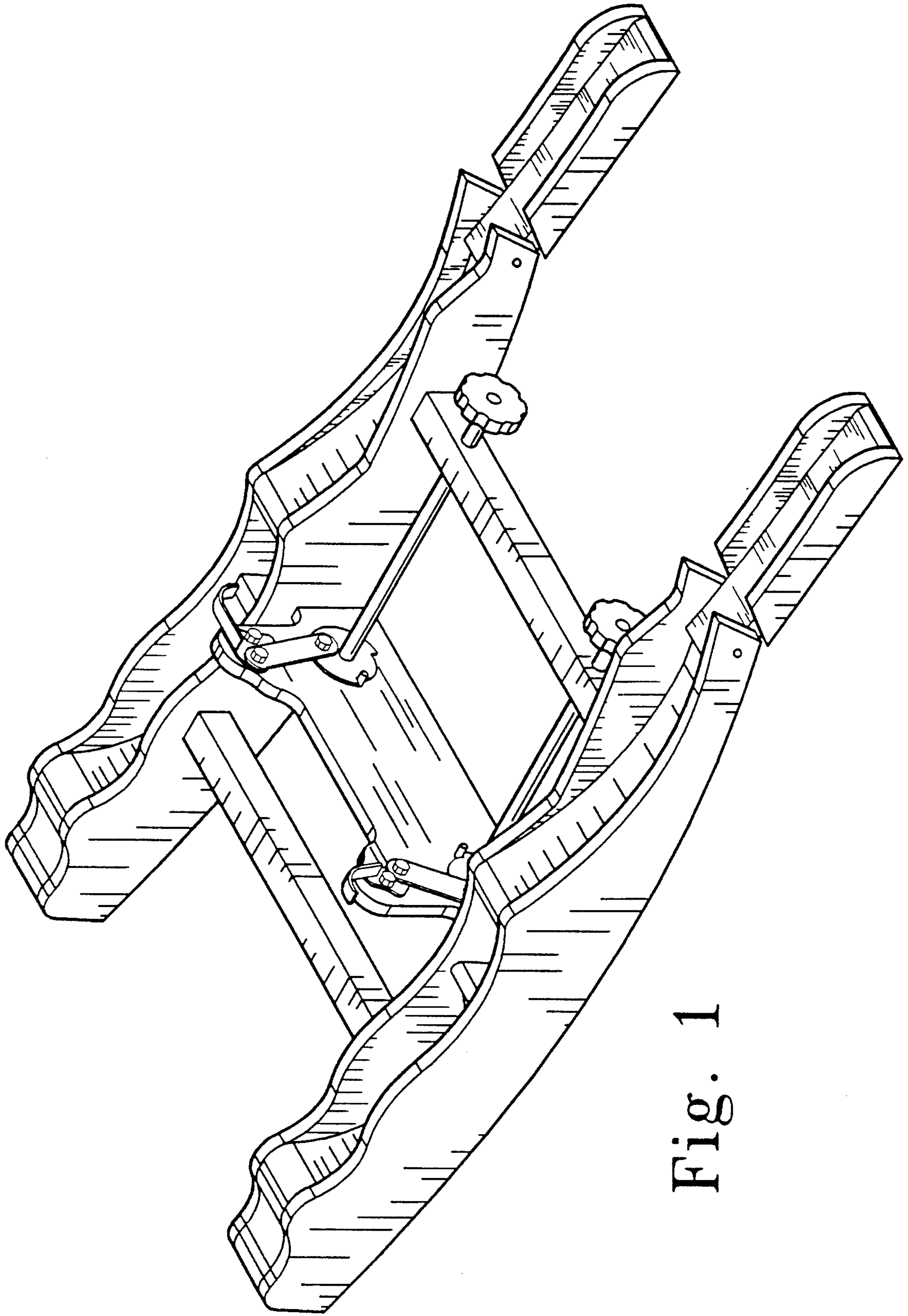


Fig. 1

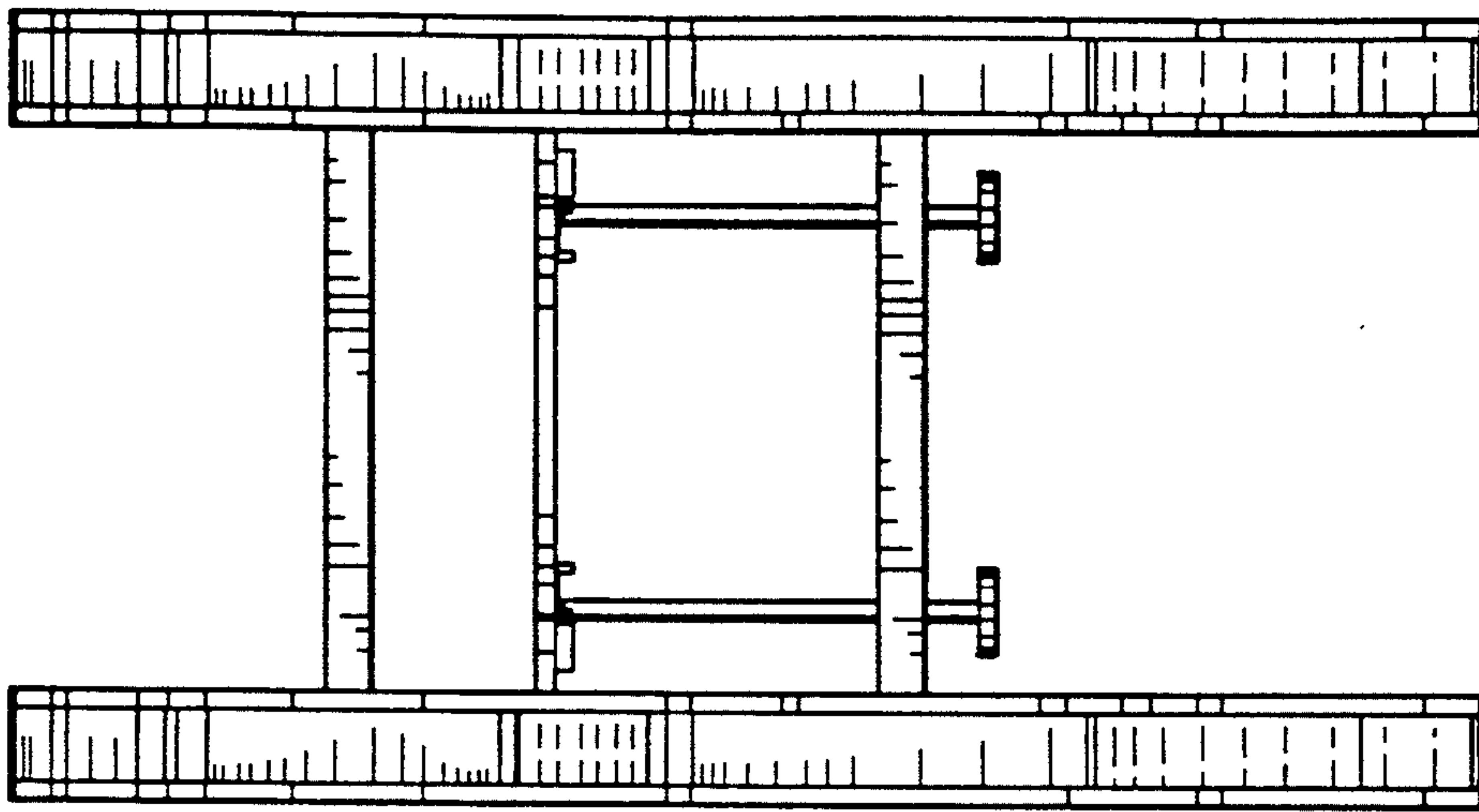


Fig. 2

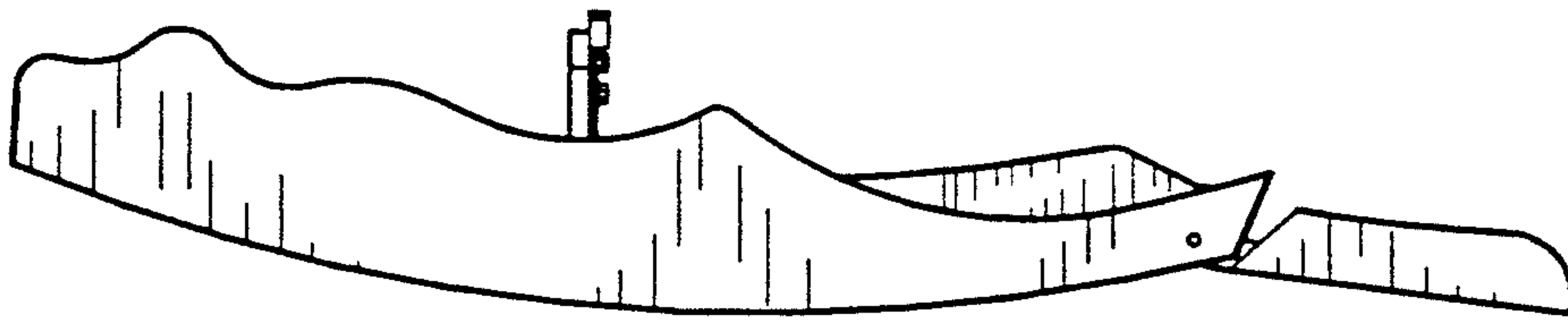


Fig. 3

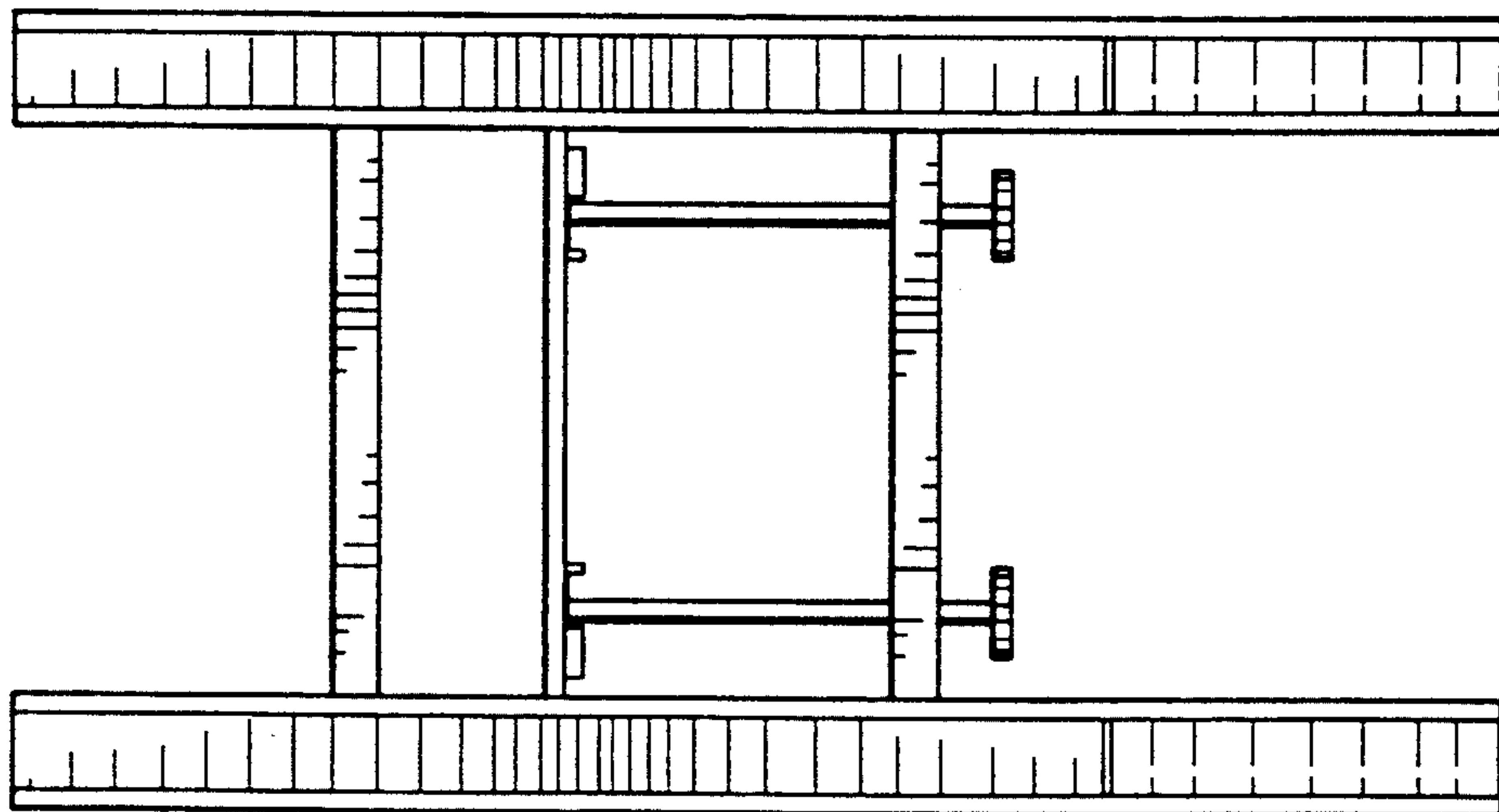


Fig. 4

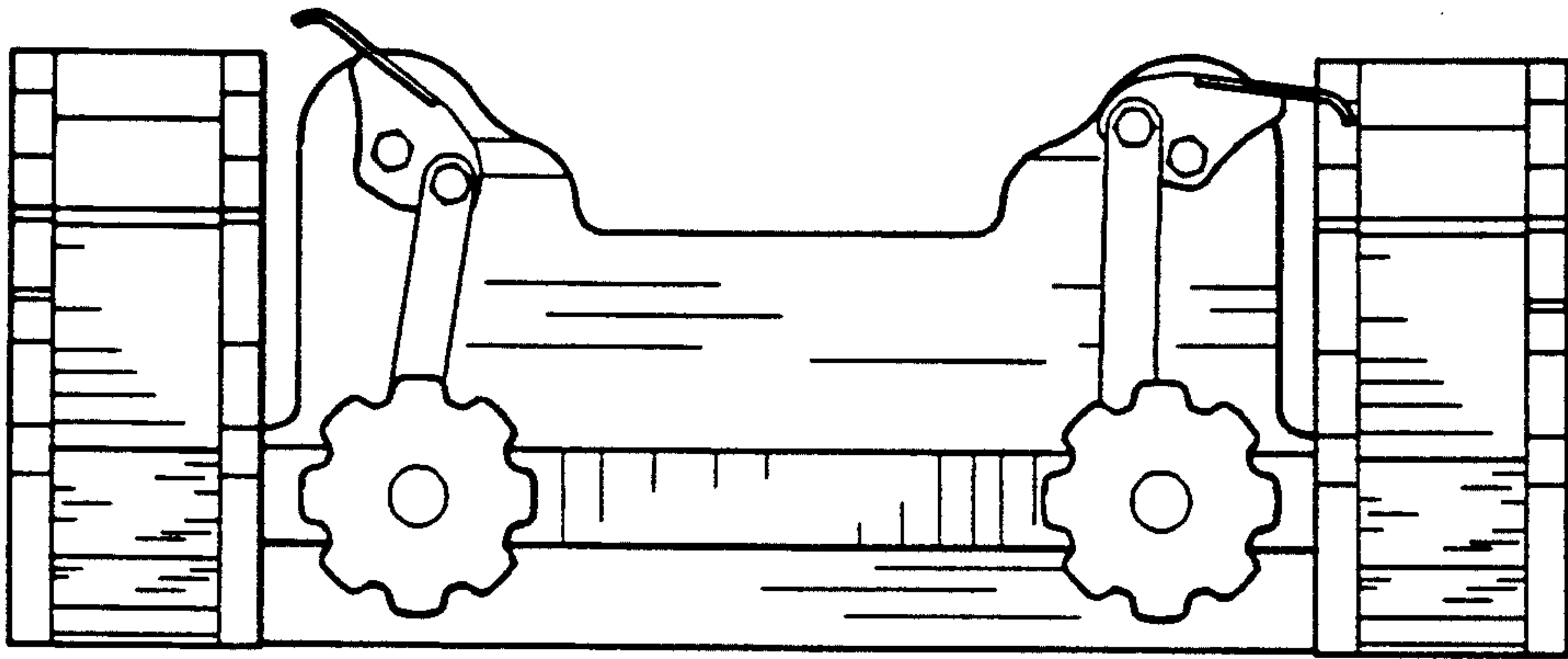


Fig. 5

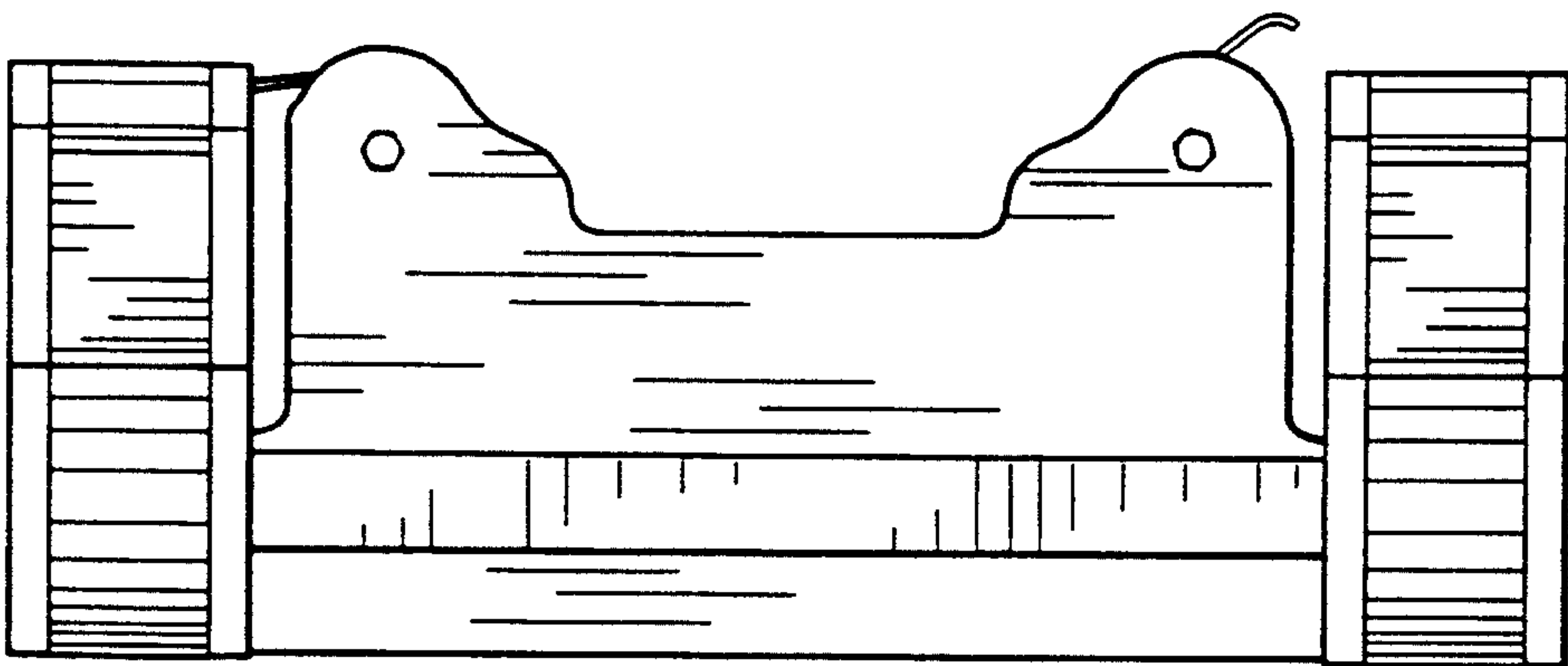


Fig. 6

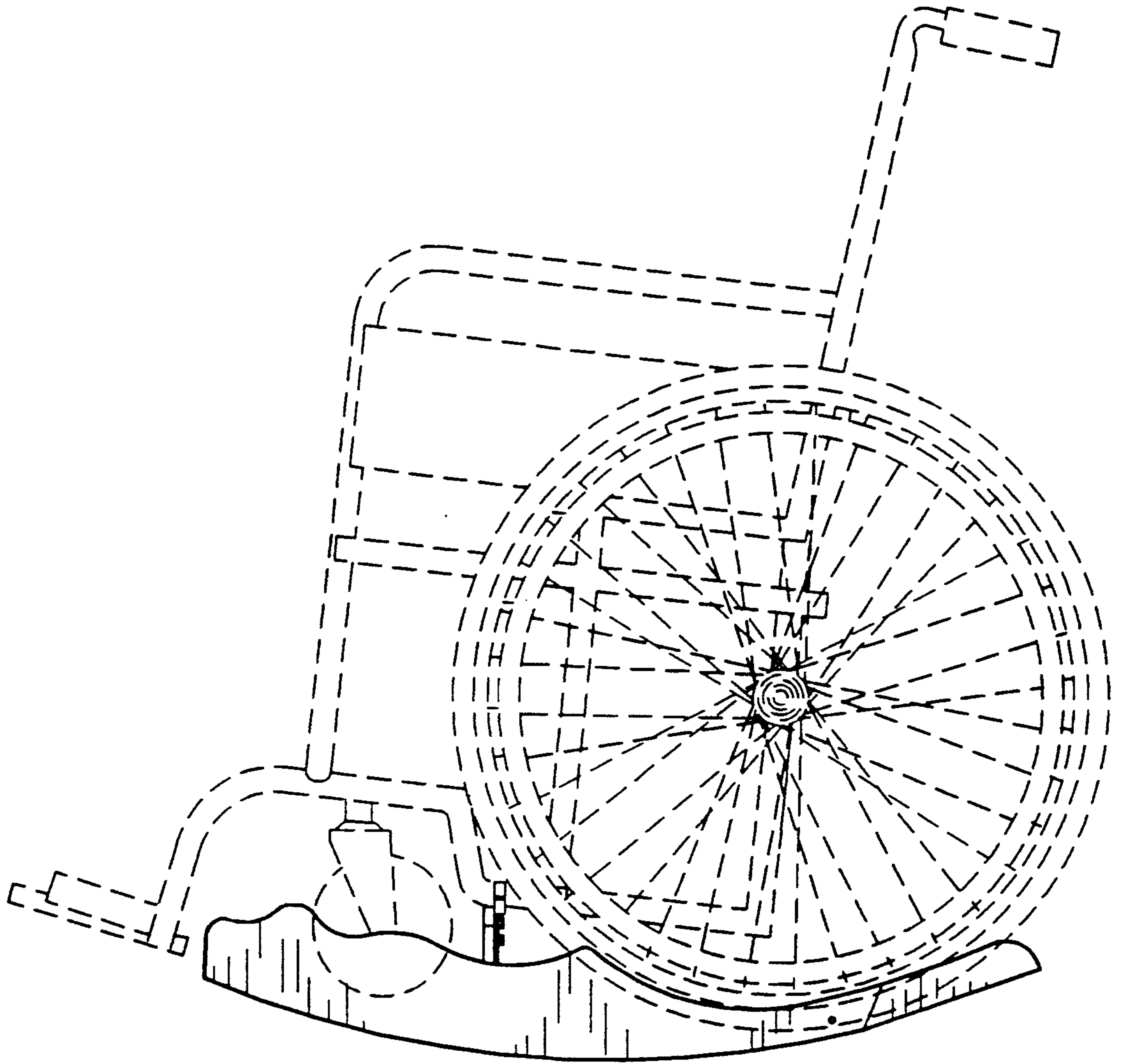


Fig. 7