



US00D345114S

United States Patent [19] Puls

[11] Patent Number: **Des. 345,114**

[45] Date of Patent: **** Mar. 15, 1994**

[54] **LIQUID CALIBRATION CONTAINER**

[75] Inventor: **William M. Puls, Wichita, Kans.**

[73] Assignee: **Great Plains Industries, Inc.,
Wichita, Kans.**

[**] Term: **14 Years**

[21] Appl. No.: **781,482**

[22] Filed: **Oct. 1, 1991**

[52] U.S. Cl. **D10/101; D9/532;
D9/547; D9/520; D9/505; D9/500; D10/96**

[58] Field of Search **D9/547, 532, 520, 505,
500; 73/3, 426, 73/427, 428; D10/101, 96;
D24/121, 216, 224, 222**

[56] **References Cited**

U.S. PATENT DOCUMENTS

D. 37,907	3/1906	Newell	D9/500
D. 264,937	6/1982	Groark	D9/500
D. 306,558	3/1990	Beaston	D9/378

1,277,760	9/1918	Seraphin	73/427
1,377,577	5/1921	Hanson	73/427
2,160,754	5/1939	Ross	73/427
2,823,540	2/1958	Patch	73/427
4,928,514	5/1990	Beaston	73/3

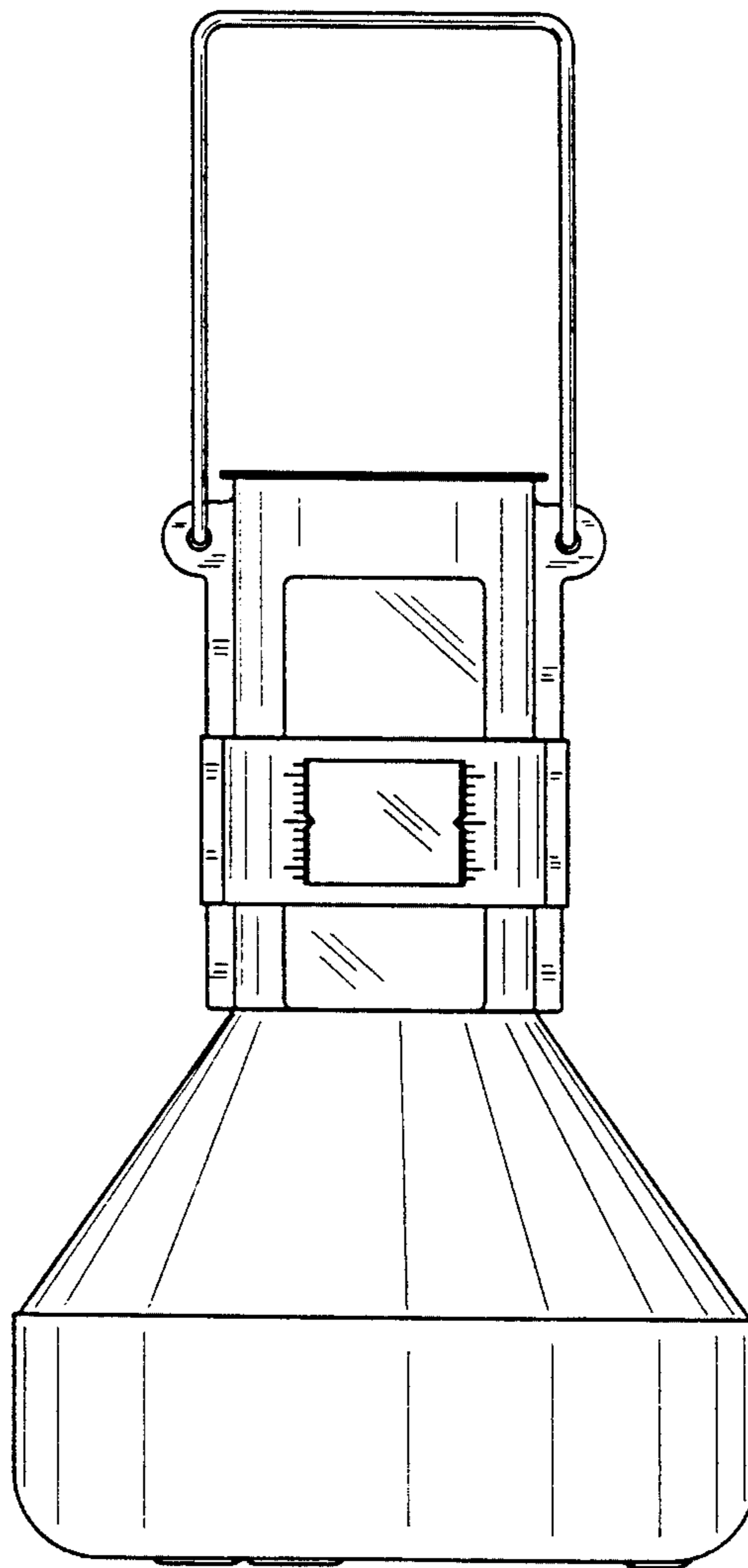
Primary Examiner—Melvin B. Feifer
Assistant Examiner—Lucy Lieberman
Attorney, Agent, or Firm—Lawrence E. Evans, Jr.

[57] **CLAIM**

The ornamental design for a liquid calibration container, as shown and described.

DESCRIPTION

FIG. 1 is an isometric view of the liquid calibration container showing my new design;
FIG. 2 is a front elevation view thereof;
FIG. 3 is a rear elevation view thereof;
FIG. 4 is a top plan view thereof;
FIG. 5 is a bottom plan view thereof;
FIG. 6 is a right side elevation view thereof; and,
FIG. 7 is a left side elevation view thereof.



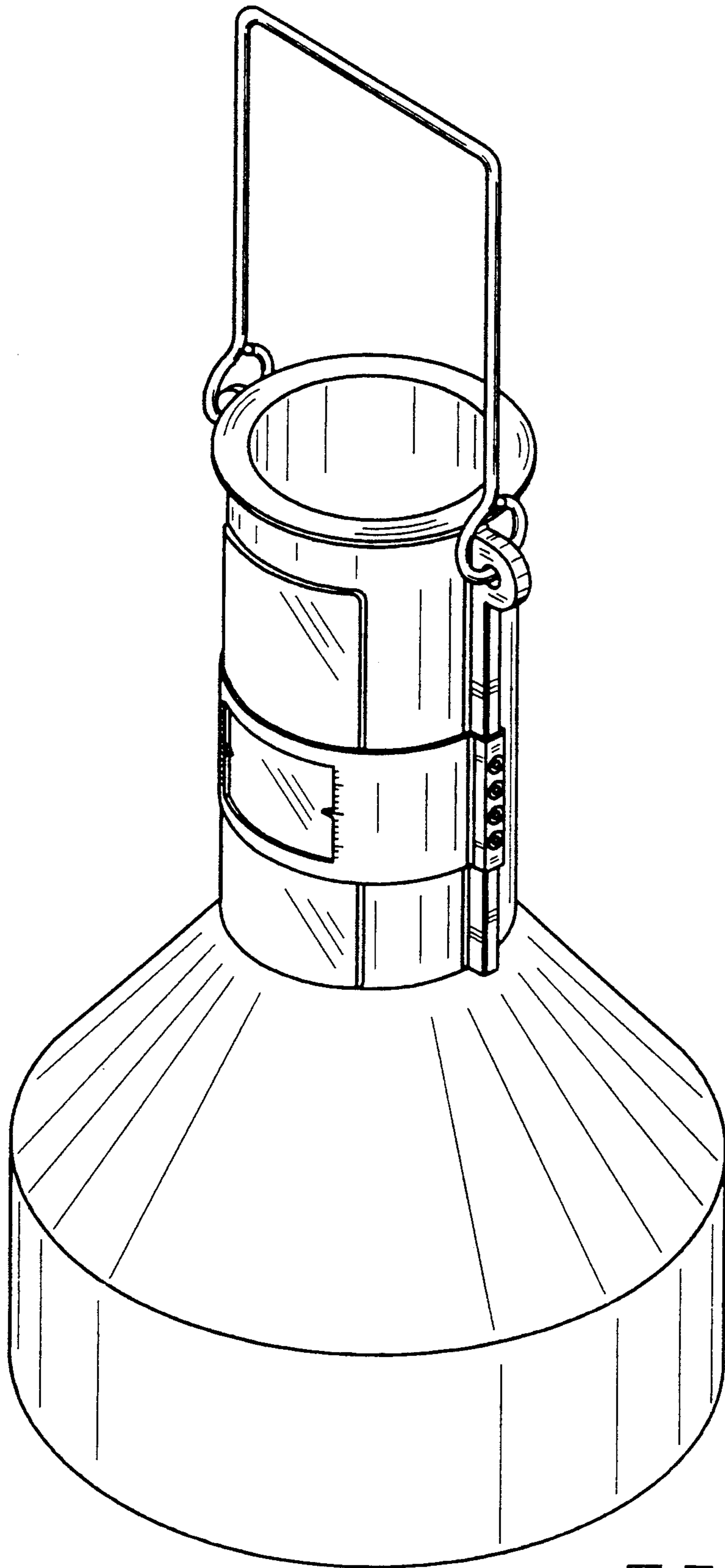


FIG. 1

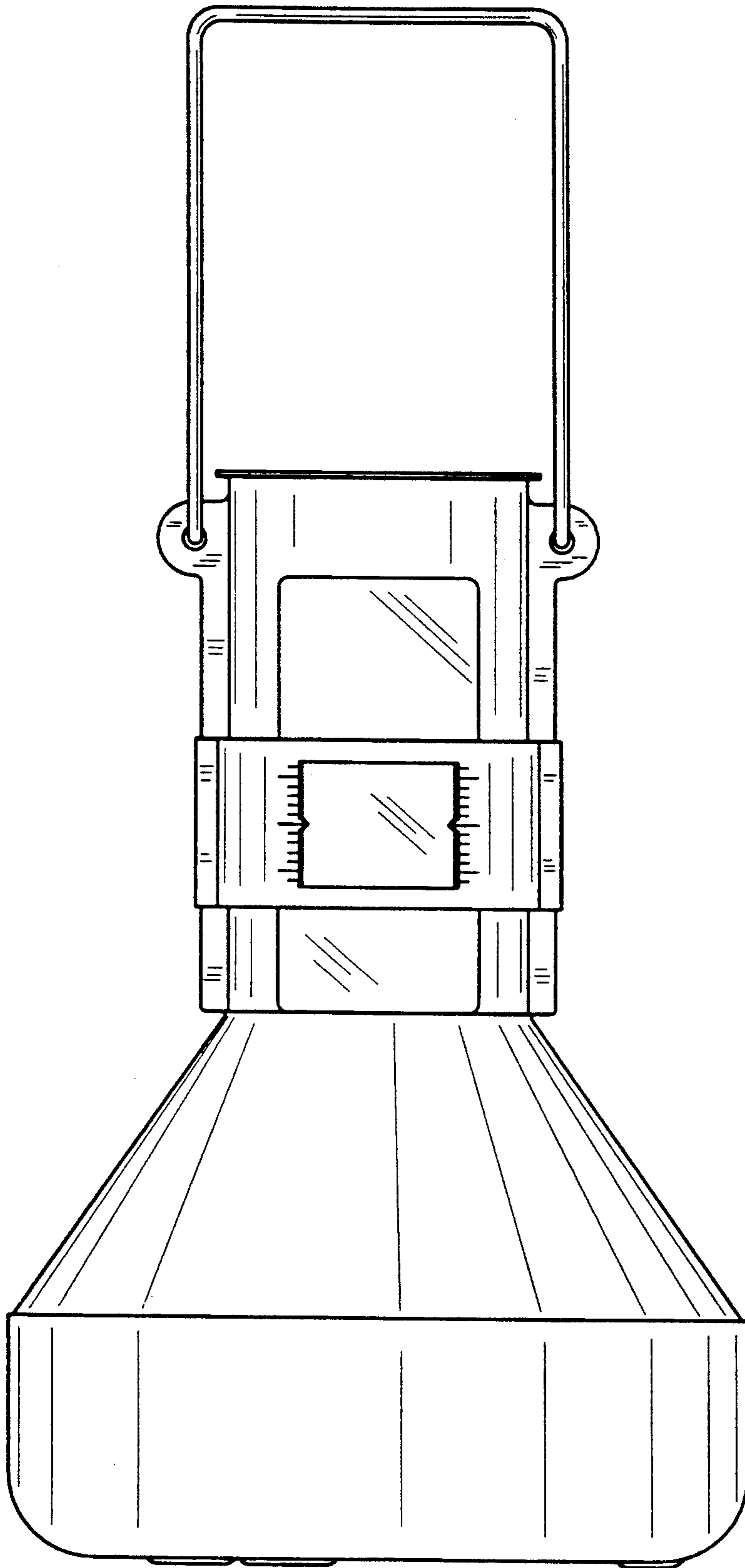


FIG. 2

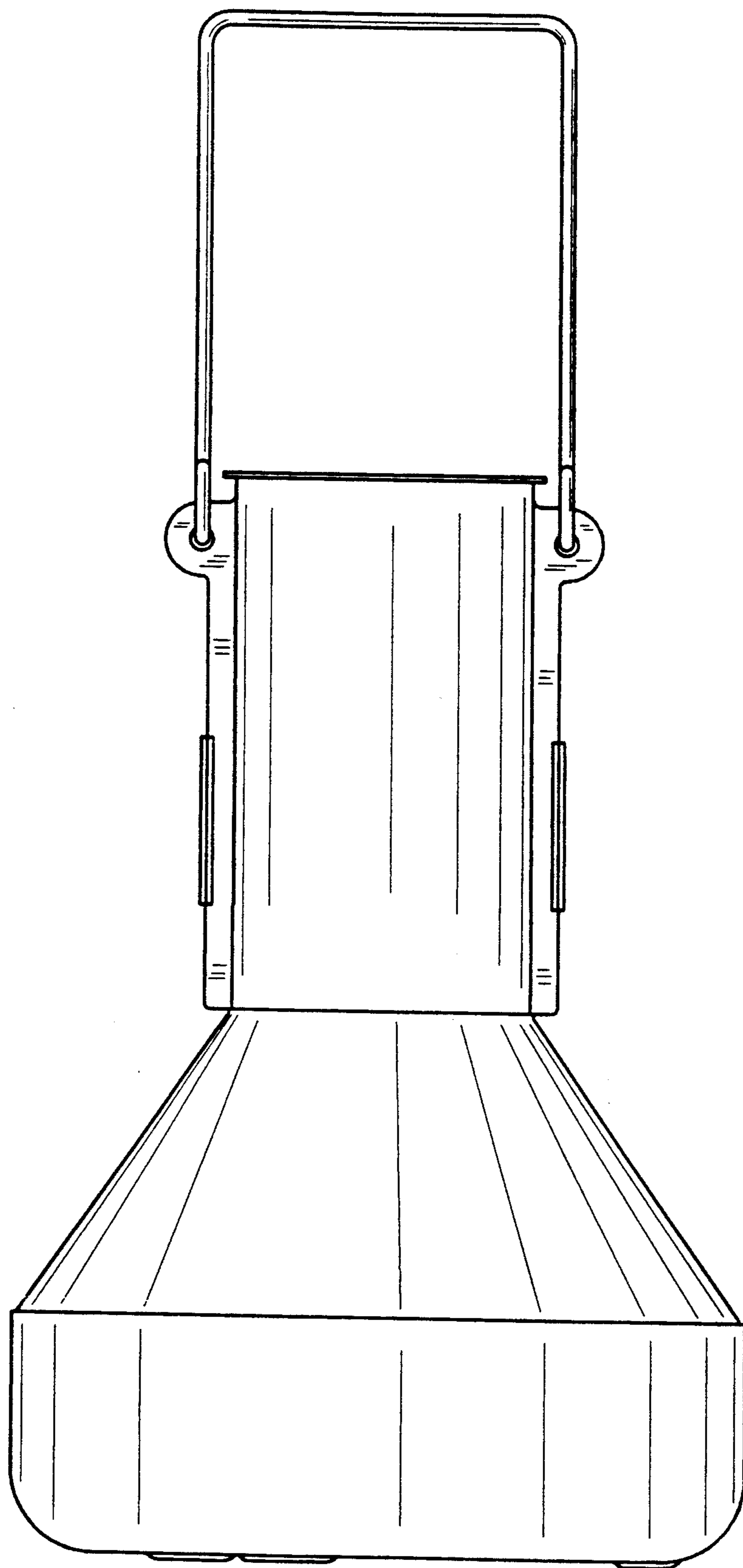


FIG. 3

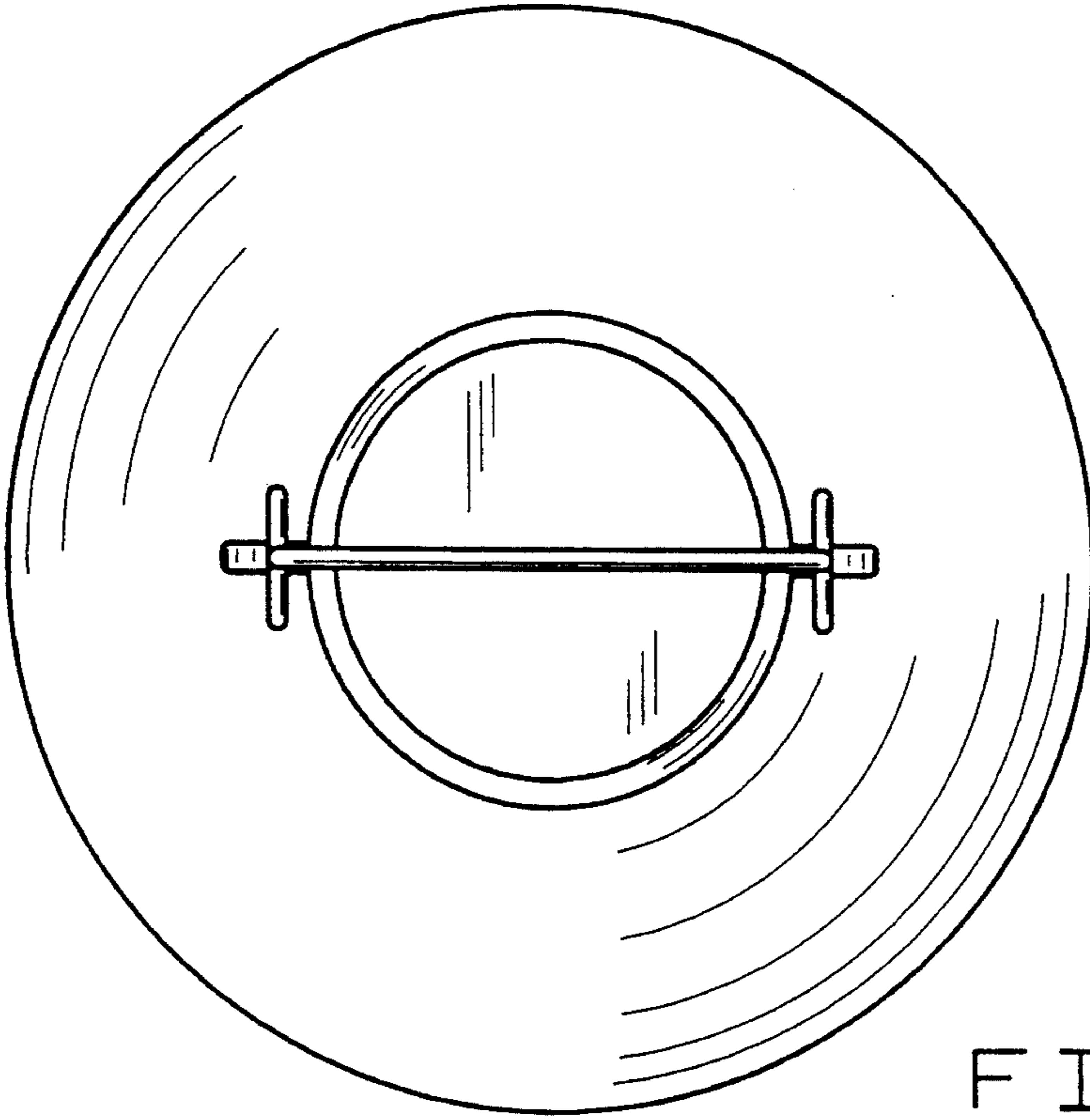


FIG. 4

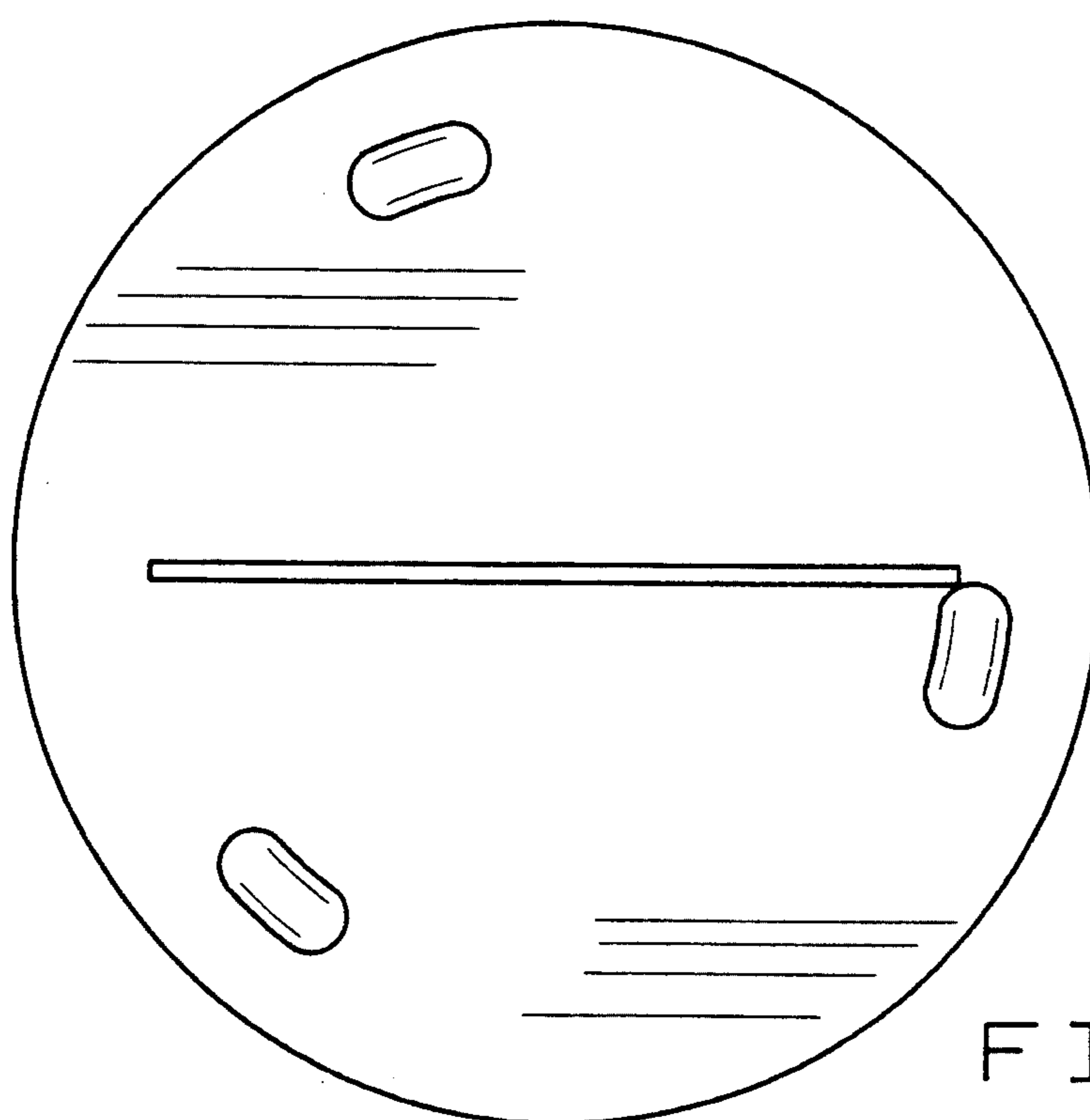


FIG. 5

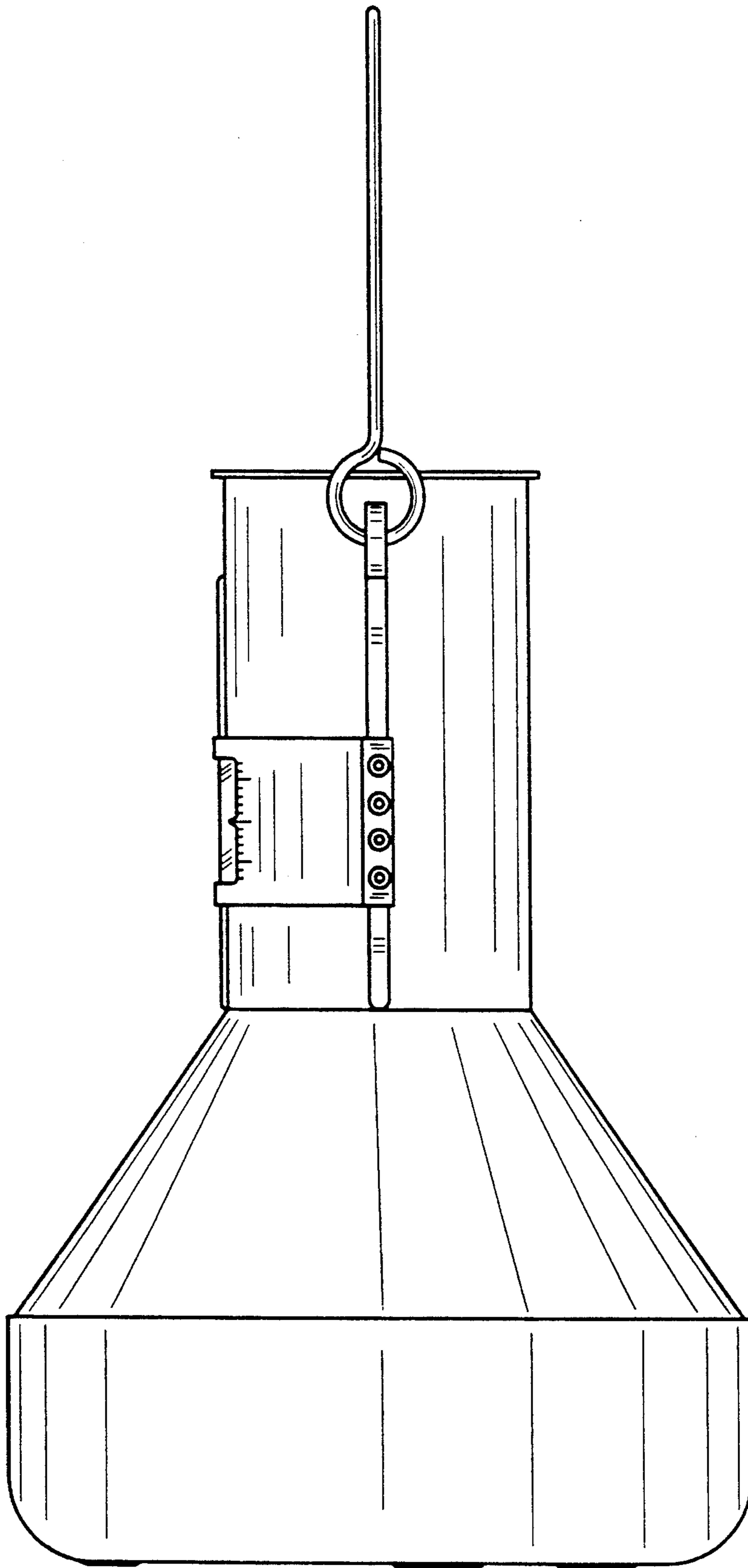


FIG. 6

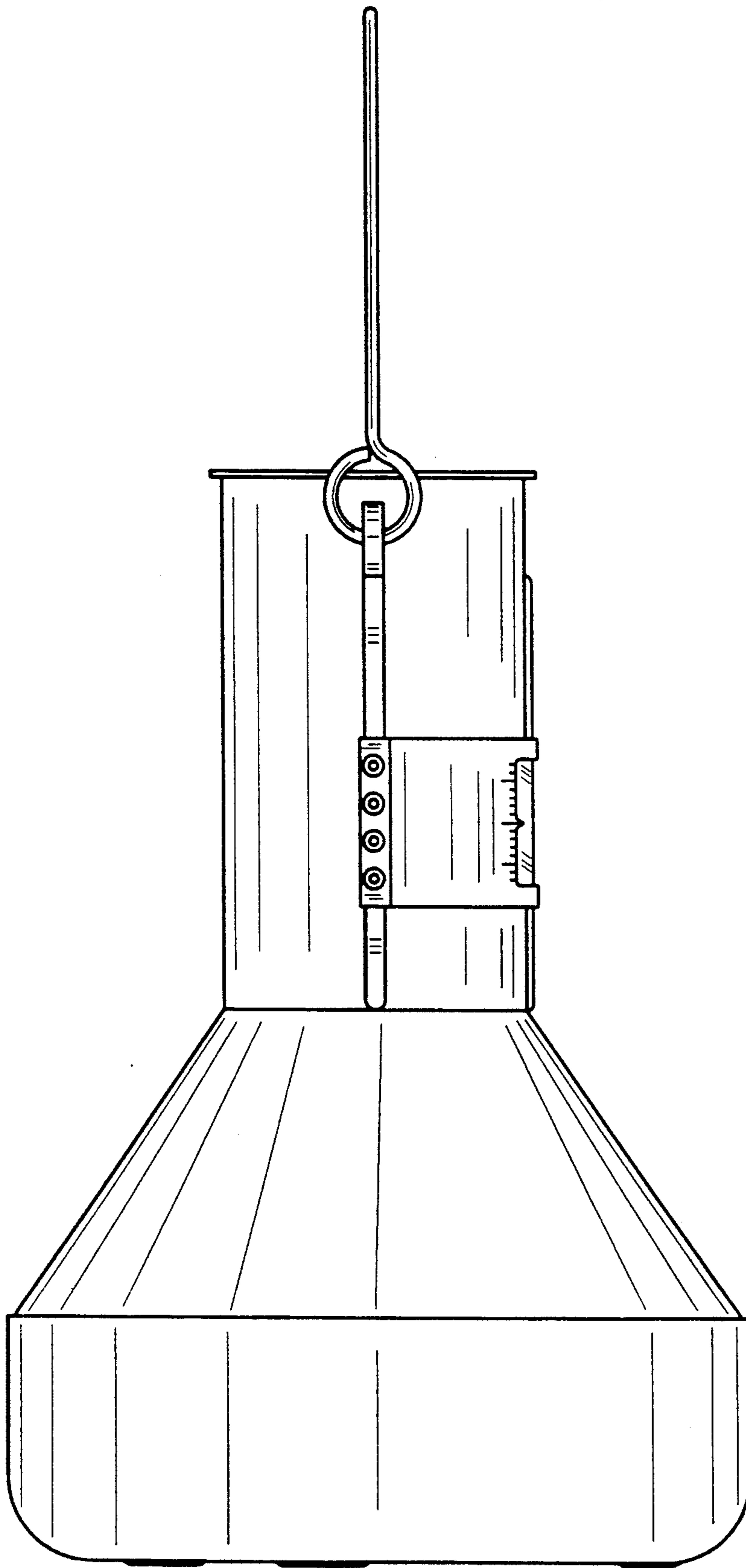


FIG. 7