



US00D345110S

# United States Patent [19]

Lannie

[11] Patent Number: **Des. 345,110**

[45] Date of Patent: **\*\* Mar. 15, 1994**

[54] ANEMOMETER

[75] Inventor: **Michael G. Lannie**, Kibworth  
Beauchamp, England

[73] Assignee: **Invicta Plastics Ltd.**

[\*\*] Term: **14 Years**

[21] Appl. No.: **866,250**

[22] Filed: **Apr. 9, 1992**

[52] U.S. Cl. .... **D10/59**

[58] Field of Search ..... **73/188, 189; D10/59**

[56]

### References Cited

#### U.S. PATENT DOCUMENTS

D. 237,951 12/1975 Simerl ..... D10/59 X

*Primary Examiner*—Alan P. Douglas

*Assistant Examiner*—Antoine D. Davis

*Attorney, Agent, or Firm*—Dressler, Goldsmith, Shore &  
Milnamow, Ltd.

[57]

### CLAIM

The ornamental design for an anemometer, as shown  
and described.

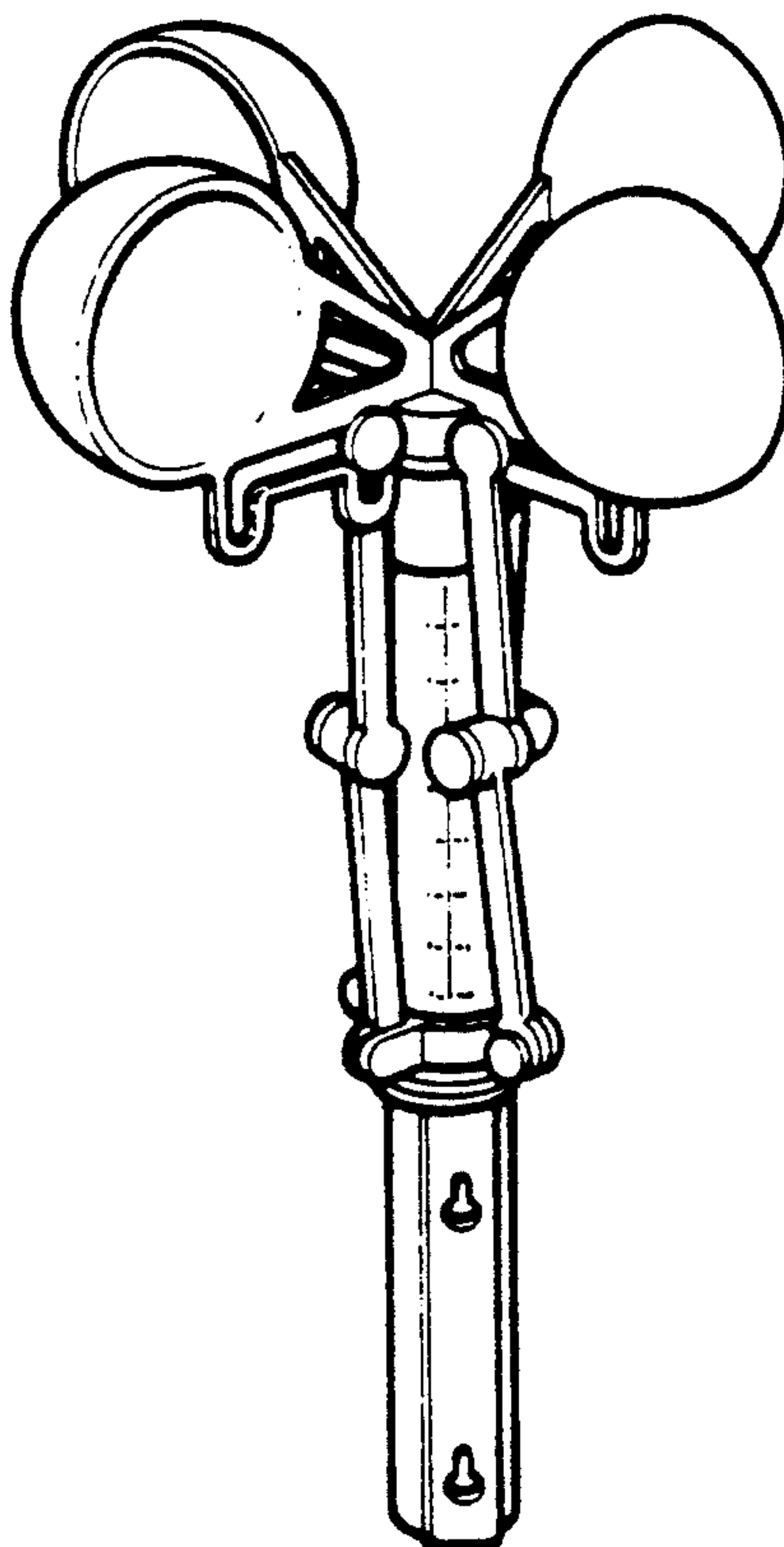
### DESCRIPTION

FIG. 1 is a perspective view;

FIG. 2 is an underside plan view;

FIG. 3 is a side view; and,

FIG. 4 is a plan view.



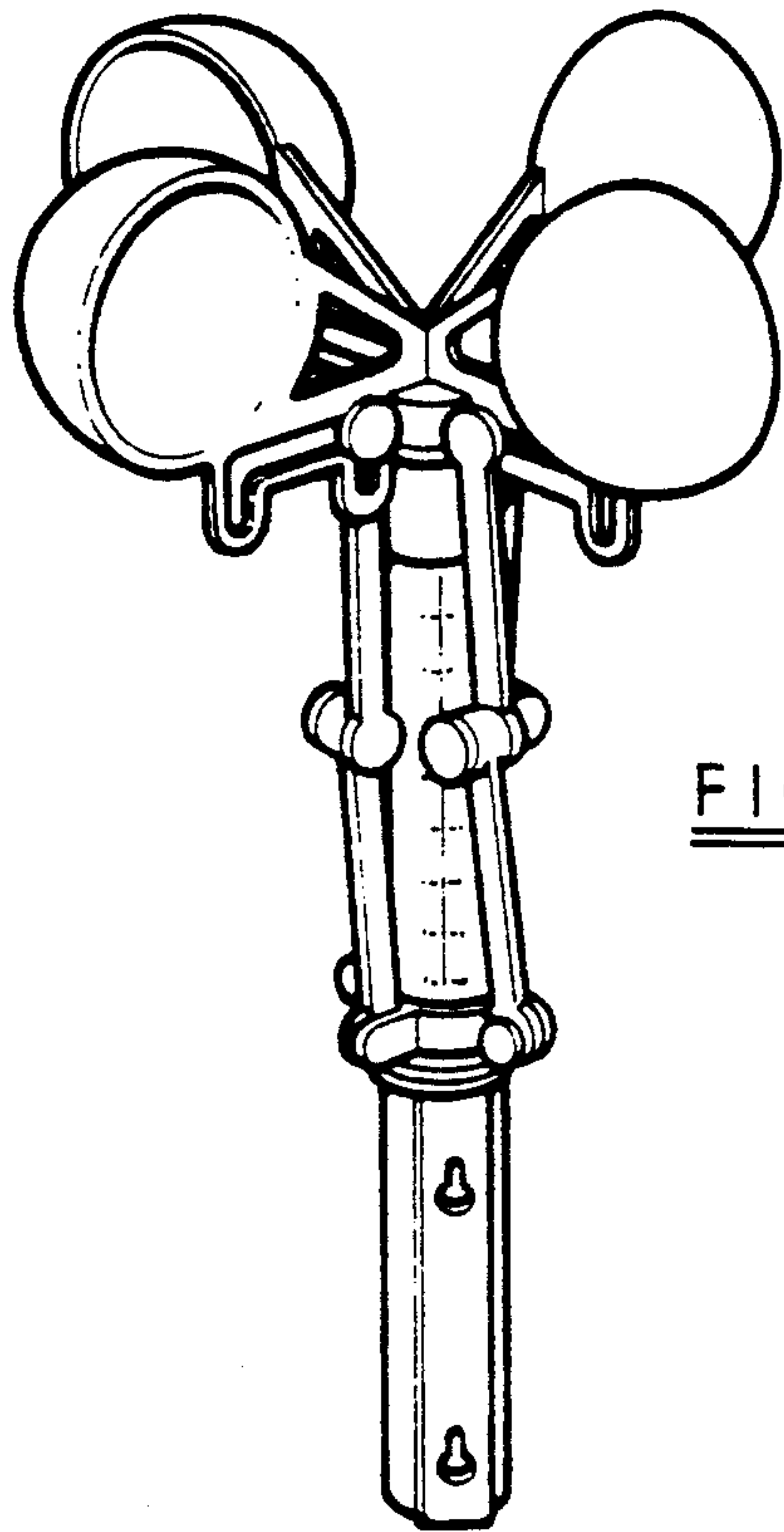


FIG 1

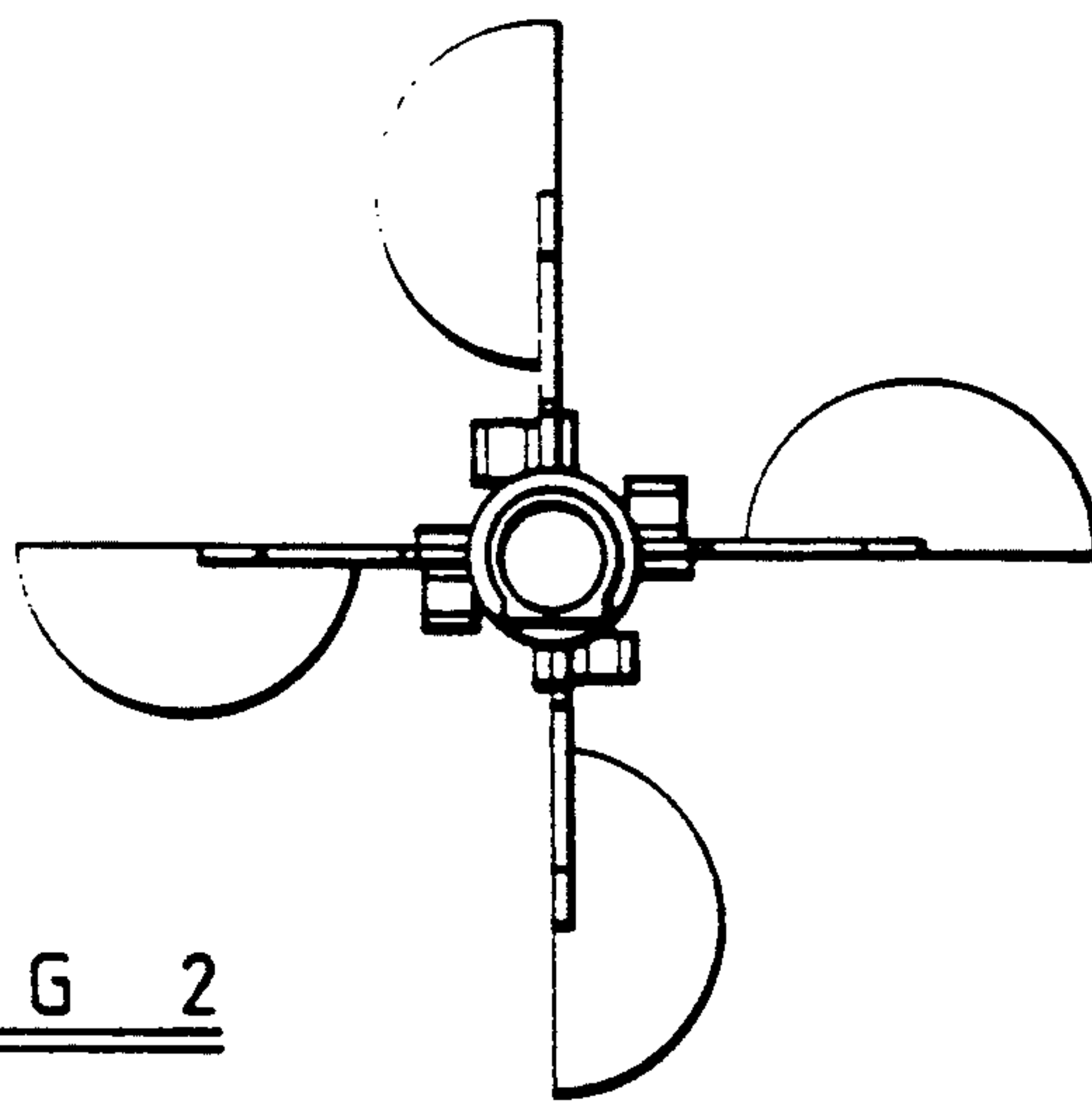


FIG 2

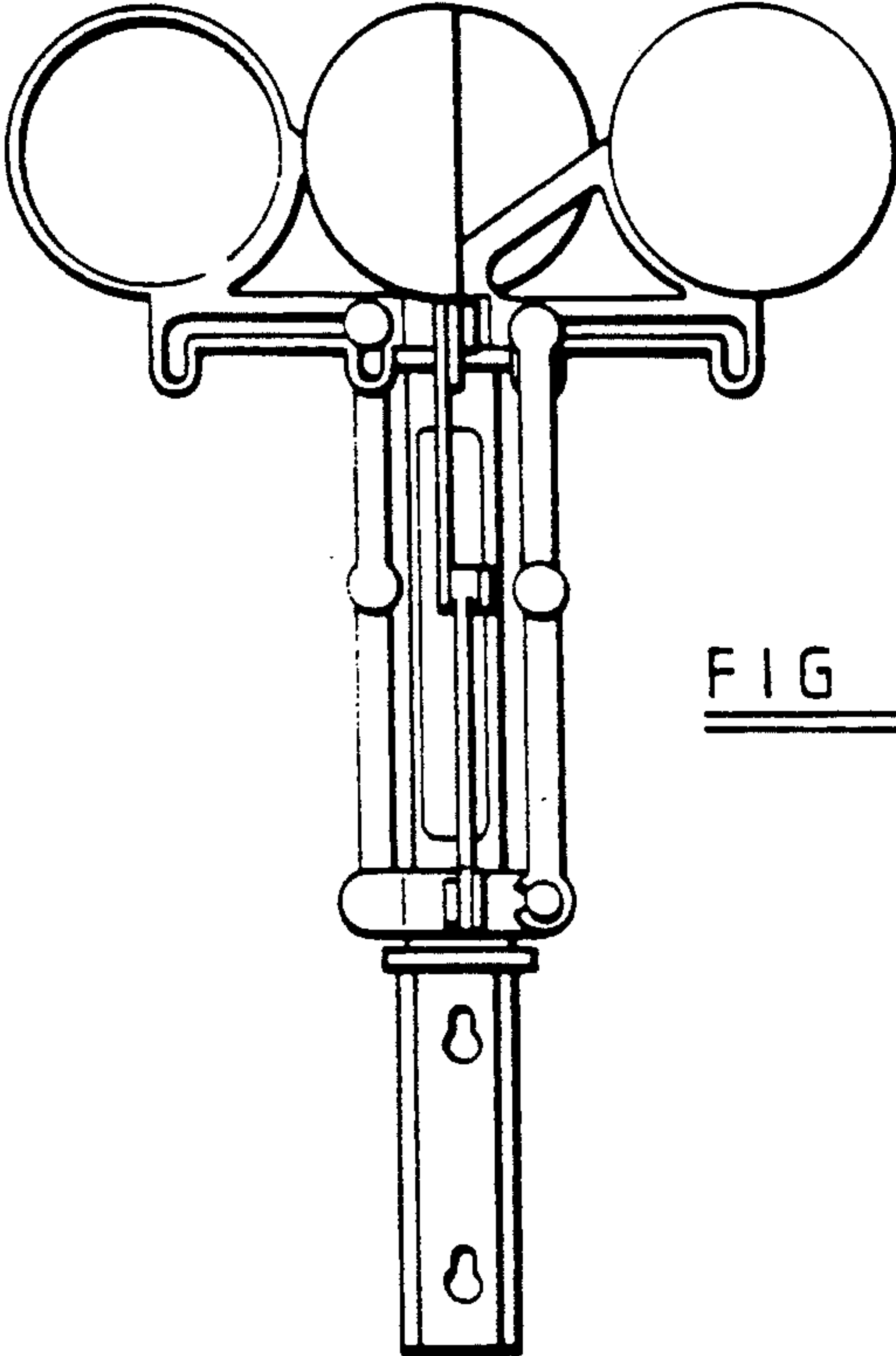


FIG 3

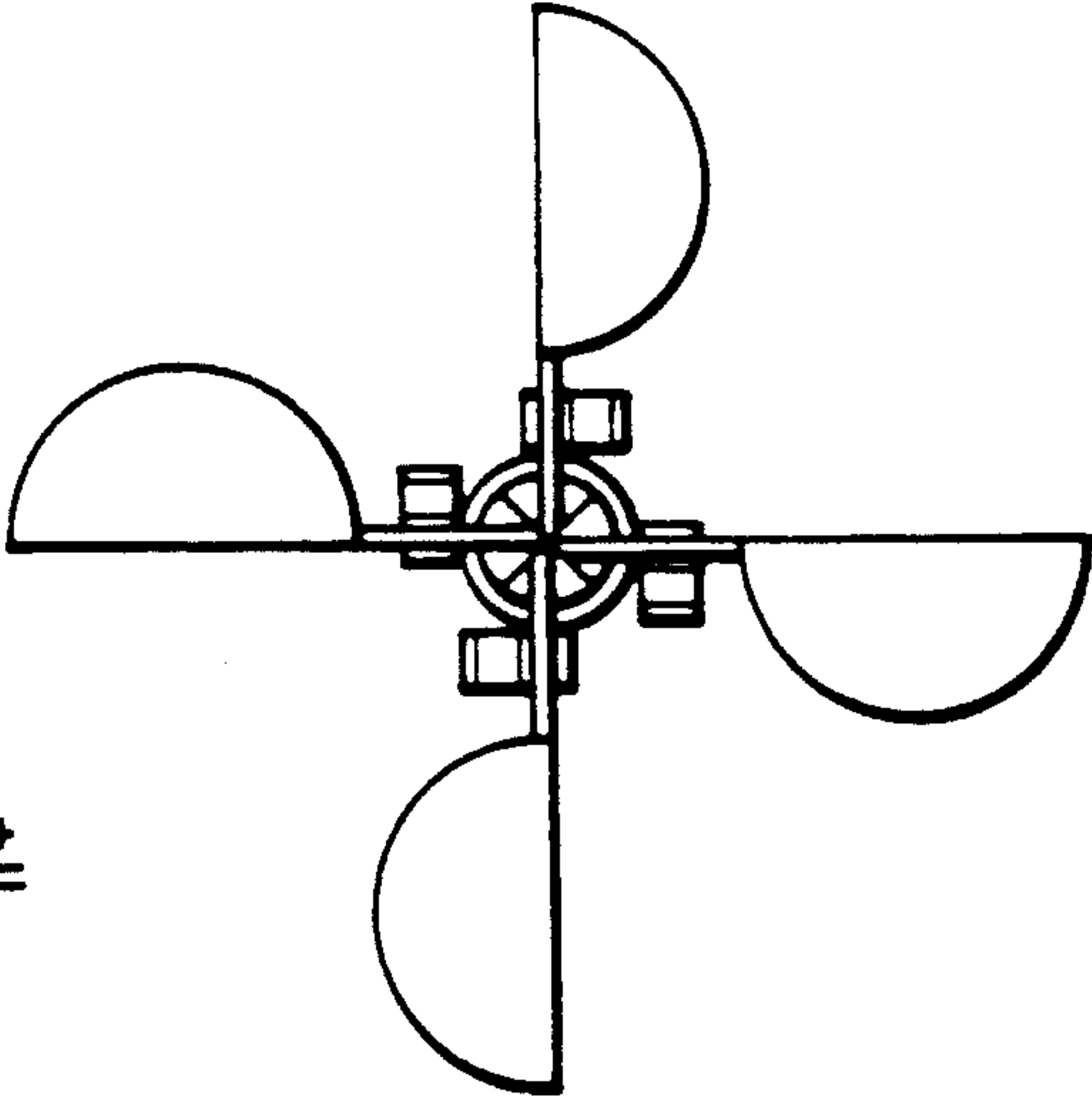


FIG 4