



US00D345107S

United States Patent [19]

[11] Patent Number: Des. 345,107

Williams

[45] Date of Patent: ** Mar. 15, 1994

[54] PROGRAMMABLE ADDITIVE CONTROLLER

[75] Inventor: Gary E. Williams, Atlanta, Ga.

[73] Assignee: Titan Industries, Inc., Atlanta, Ga.

[**] Term: 14 Years

[21] Appl. No.: 890,791

[22] Filed: Jun. 1, 1992

[52] U.S. Cl. D10/46; D10/102

[58] Field of Search 222/1-3, 222/14, 16, 23-30; D10/46, 96-101, 123, 125

4,719,574 1/1988 Duback et al. .
 4,779,186 10/1988 Handke et al. .
 4,794,947 1/1989 Kuramochi .
 4,840,292 6/1989 Harvey .
 4,877,051 10/1989 Day .
 4,916,631 4/1990 Crain et al. .
 4,961,441 10/1990 Salter .

FOREIGN PATENT DOCUMENTS

1295896 5/1969 Fed. Rep. of Germany .
 55-115111 9/1980 Japan .

Primary Examiner—Alan P. Douglas
 Assistant Examiner—Antoine D. Davis
 Attorney, Agent, or Firm—James Creighton Wray

[56] References Cited

U.S. PATENT DOCUMENTS

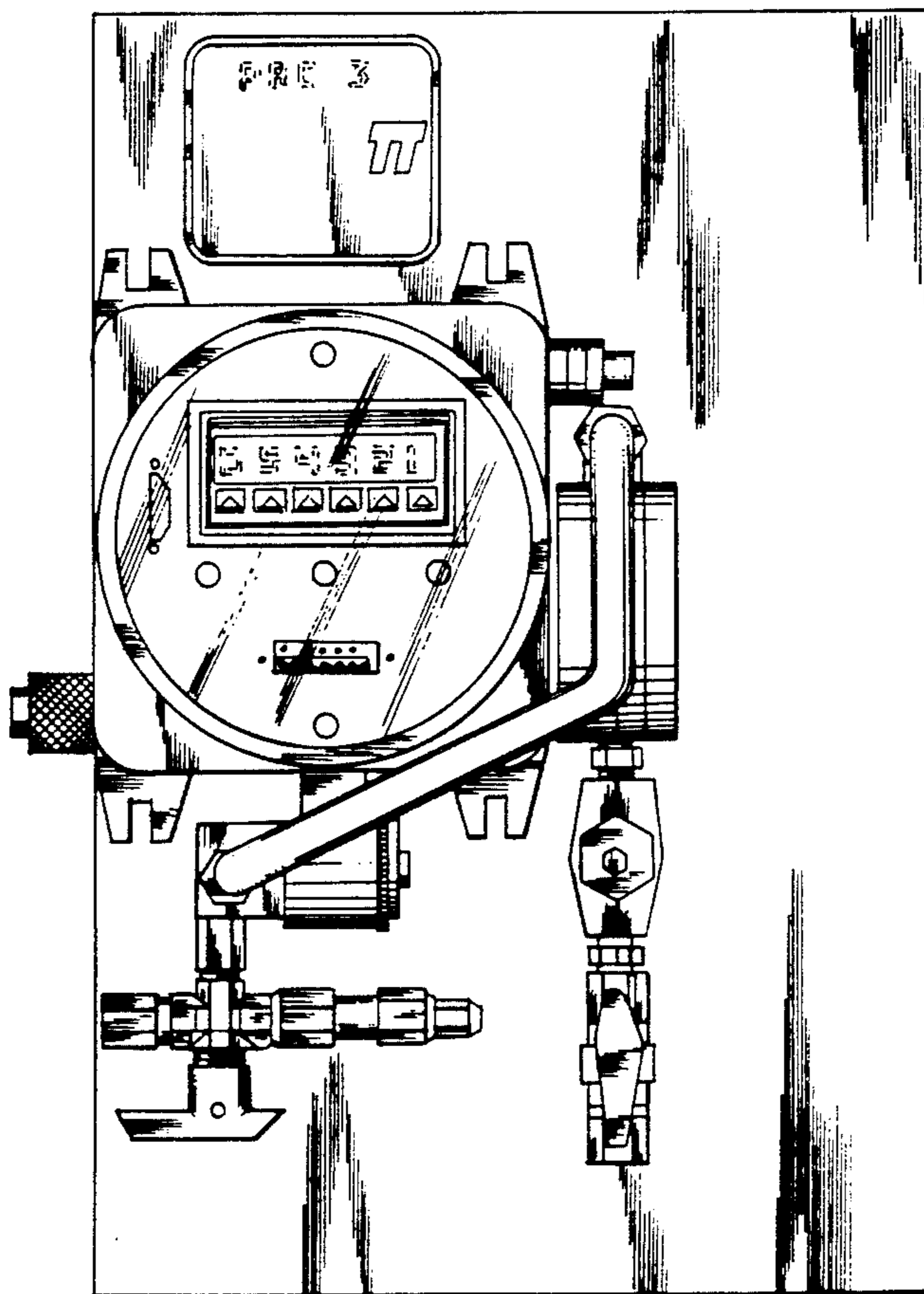
D. 227,095 6/1973 Kelch et al. D10/81
 D. 243,699 3/1977 Plummer D10/100 X
 D. 331,370 12/1992 Williams D10/46
 4,353,482 10/1982 Tomlinson et al. .
 4,501,138 4/1985 Lehmann et al. .
 4,518,101 5/1985 Robinson .
 4,538,222 8/1985 Crain et al. .
 4,601,409 7/1986 DiRegolo .
 4,676,403 6/1987 Goudy, Jr. et al. .
 4,679,585 7/1987 Ewing .
 4,690,163 9/1987 Steinemann .
 4,706,703 11/1987 Takeuchi et al. 222/14

[57] CLAIM

The design for the programmable additive controller, as shown.

DESCRIPTION

FIG. 1 is a front elevational view of a programmable additive controller showing my new design; FIG. 2 is a top view of the device shown in FIG. 1; FIG. 3 is a bottom view of the device shown in FIG. 1; FIG. 4 is a left side view of the device shown in FIG. 1; FIG. 5 is a right side view of the device shown in FIG. 1; and, FIG. 6 is a rear view of the device shown in FIG. 1.



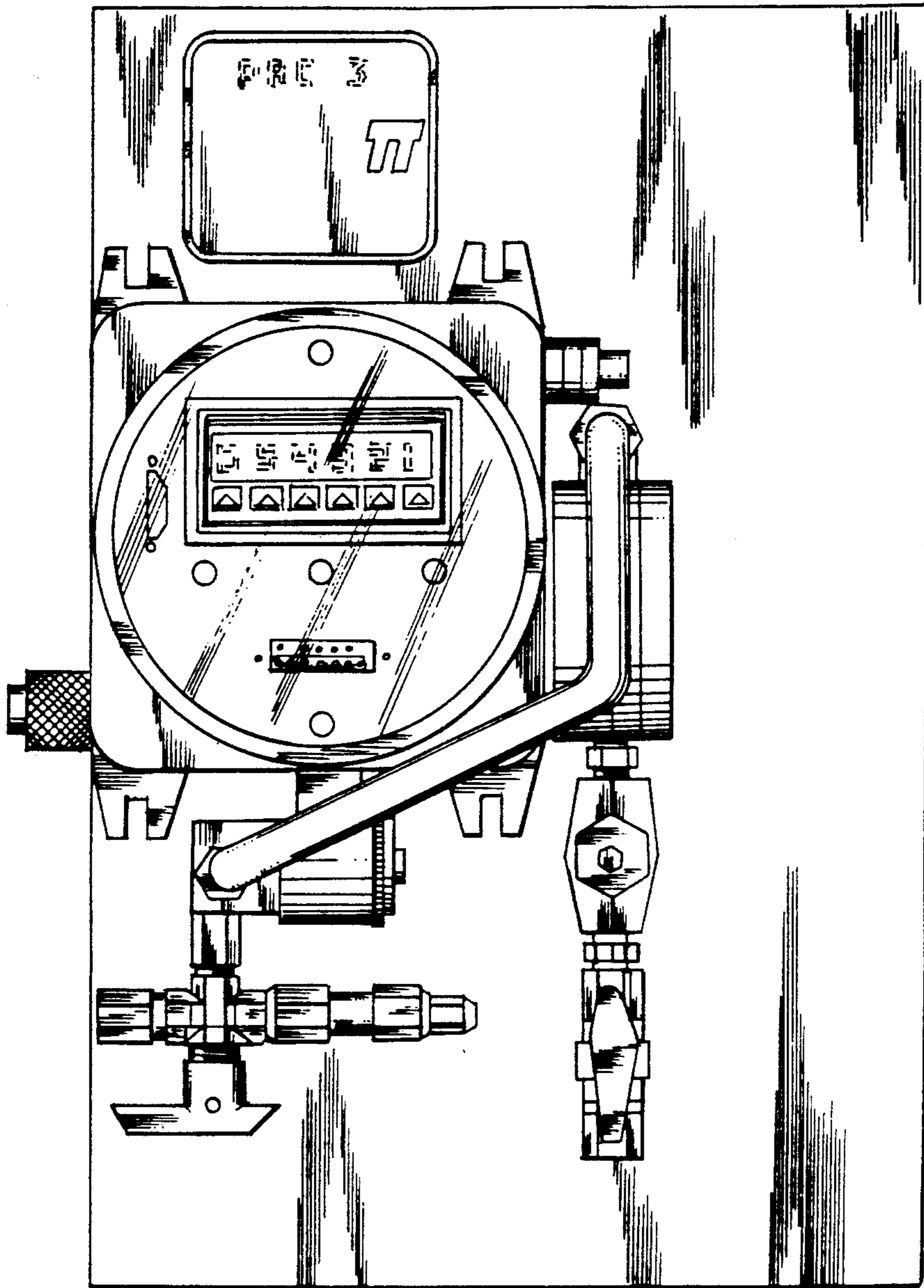


FIG. 1

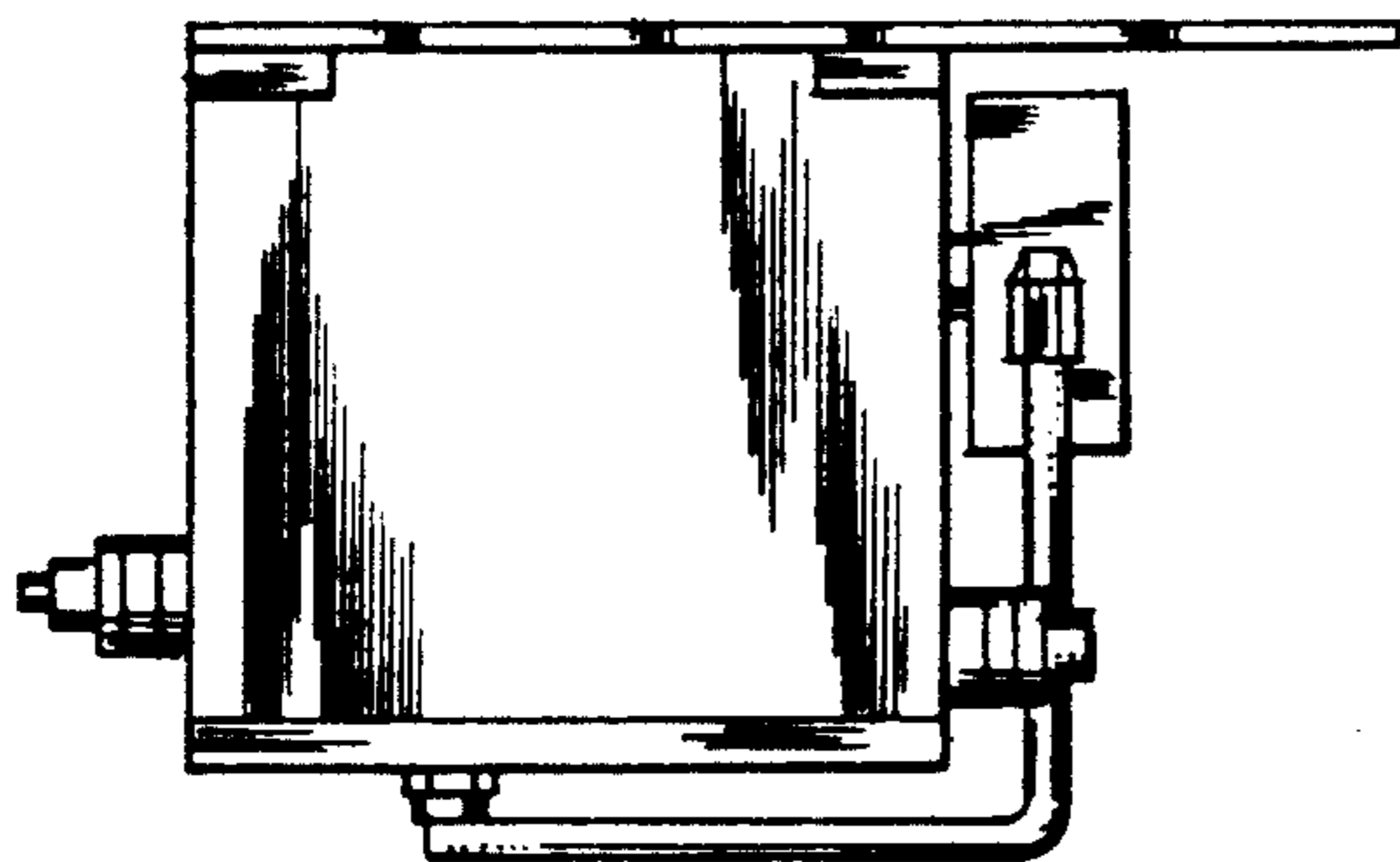


FIG. 2

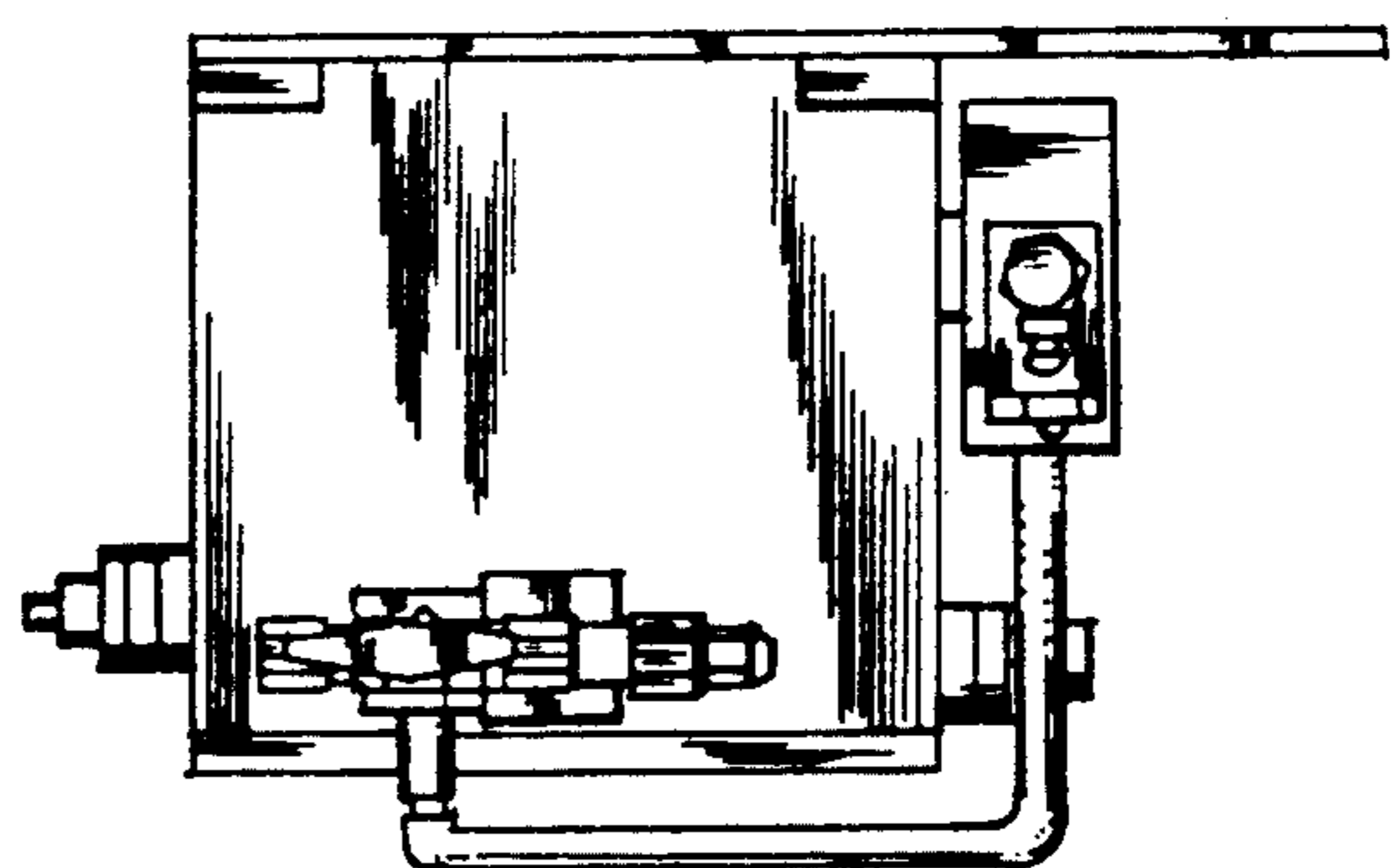


FIG. 3

