



US00D345098S

United States Patent [19] Ohanesian

[11] Patent Number: **Des. 345,098**

[45] Date of Patent: **** Mar. 15, 1994**

[54] **VALENCE FOR VERTICAL BLINDS**

[75] Inventor: **Harout Ohanesian**, Northridge, Calif.

[73] Assignee: **U.S. Polymers, Inc.**, Commerce, Calif.

[**] Term: **14 Years**

[21] Appl. No.: **874**

[22] Filed: **Oct. 27, 1992**

[52] U.S. Cl. **D8/377; D8/376**

[58] Field of Search **D8/377, 376; 160/19, 160/38-39; 248/265**

[56] **References Cited**

U.S. PATENT DOCUMENTS

D. 197,771	3/1964	Brenner	D8/377
D. 292,874	11/1987	Clauss	D8/377
D. 301,305	5/1989	Bell et al.	D8/376
D. 329,012	9/1992	Stotz	D8/376
2,293,662	8/1942	Richardson	160/19

4,635,889	1/1987	Bell et al.	248/265
4,921,031	5/1990	Wagner et al.	160/38
4,935,988	6/1990	Ford et al.	160/38 X
5,039,049	8/1991	Niemi	160/39 X

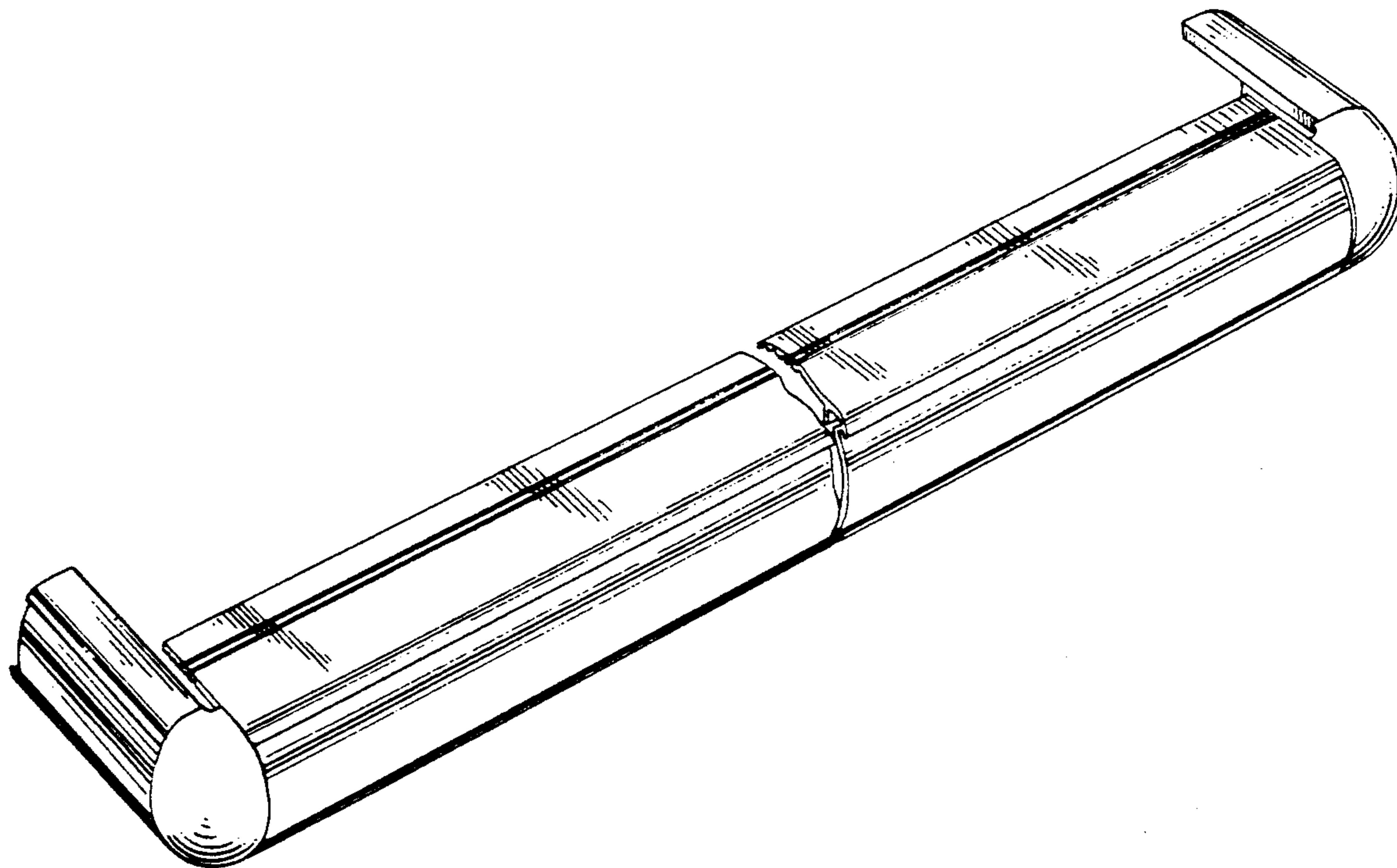
Primary Examiner—Wallace R. Burke
Assistant Examiner—Holly H. Baynham
Attorney, Agent, or Firm—Price, Gess & Ubell

[57] **CLAIM**

The ornamental design for the valance for vertical blinds, as shown as described.

DESCRIPTION

FIG. 1 is a perspective view of a valance for vertical blinds showing my new design; FIG. 2 is a left side elevational view; FIG. 3 is a right side elevational view; FIG. 4 is a top plan view; FIG. 5 is a front elevational view; FIG. 6 is a rear elevational view; and, FIG. 7 is a bottom plan view. The claimed article is shown broken away to indicate indeterminate length.



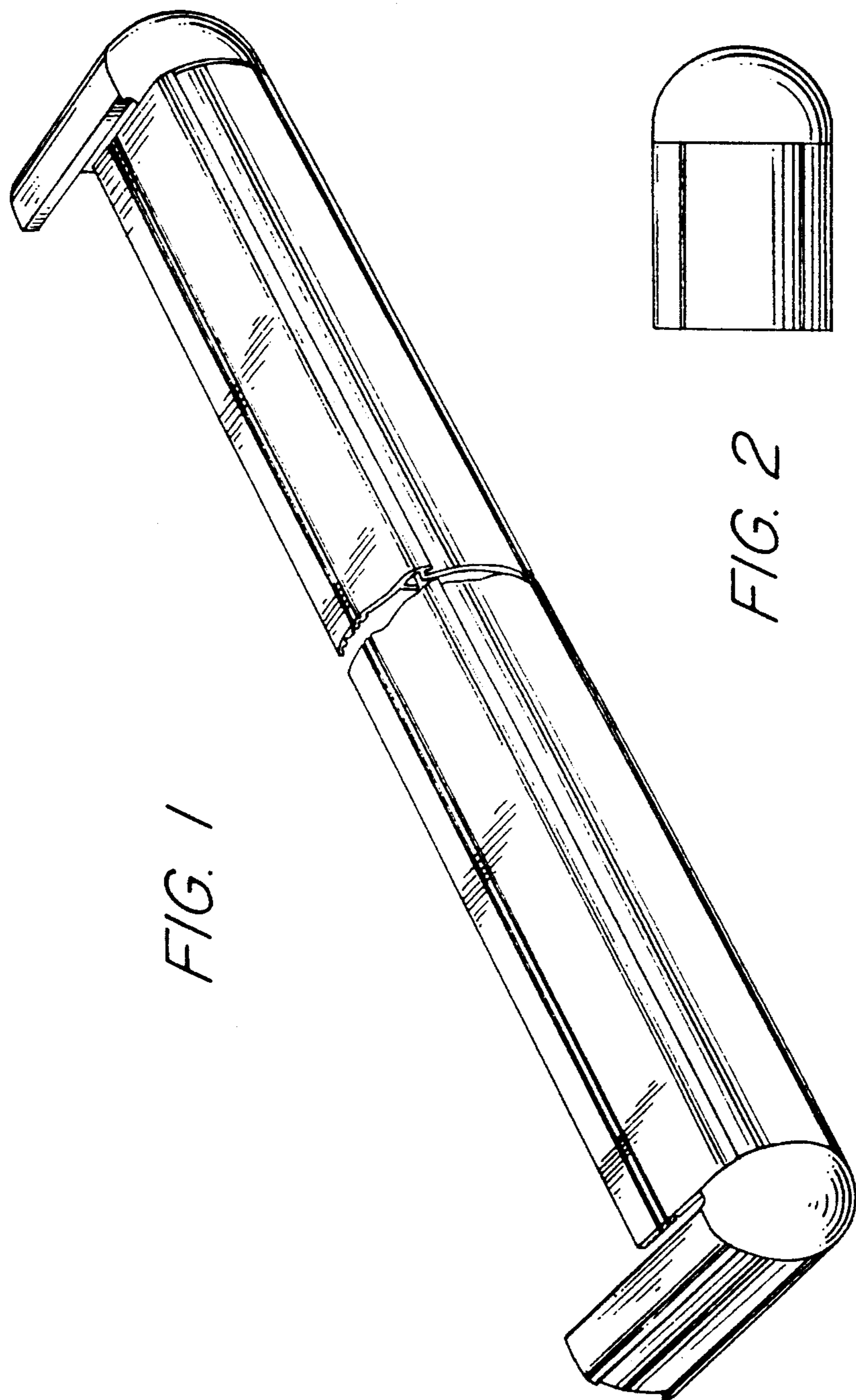


FIG. 1

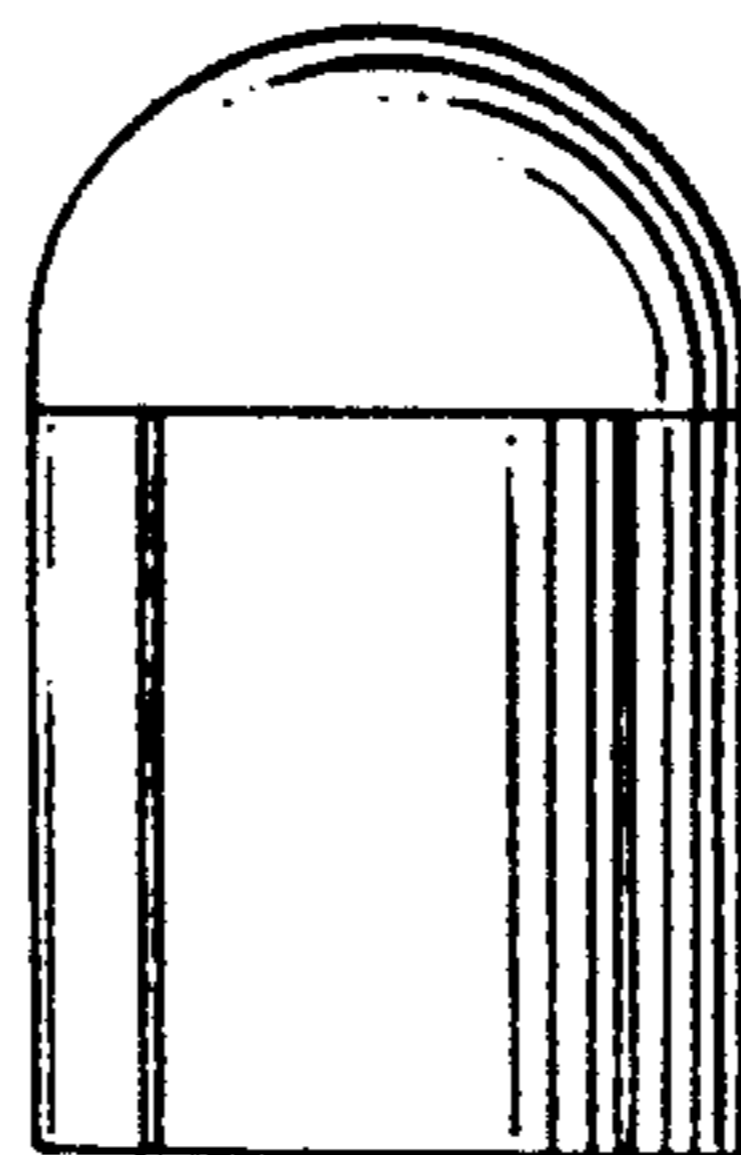


FIG. 2

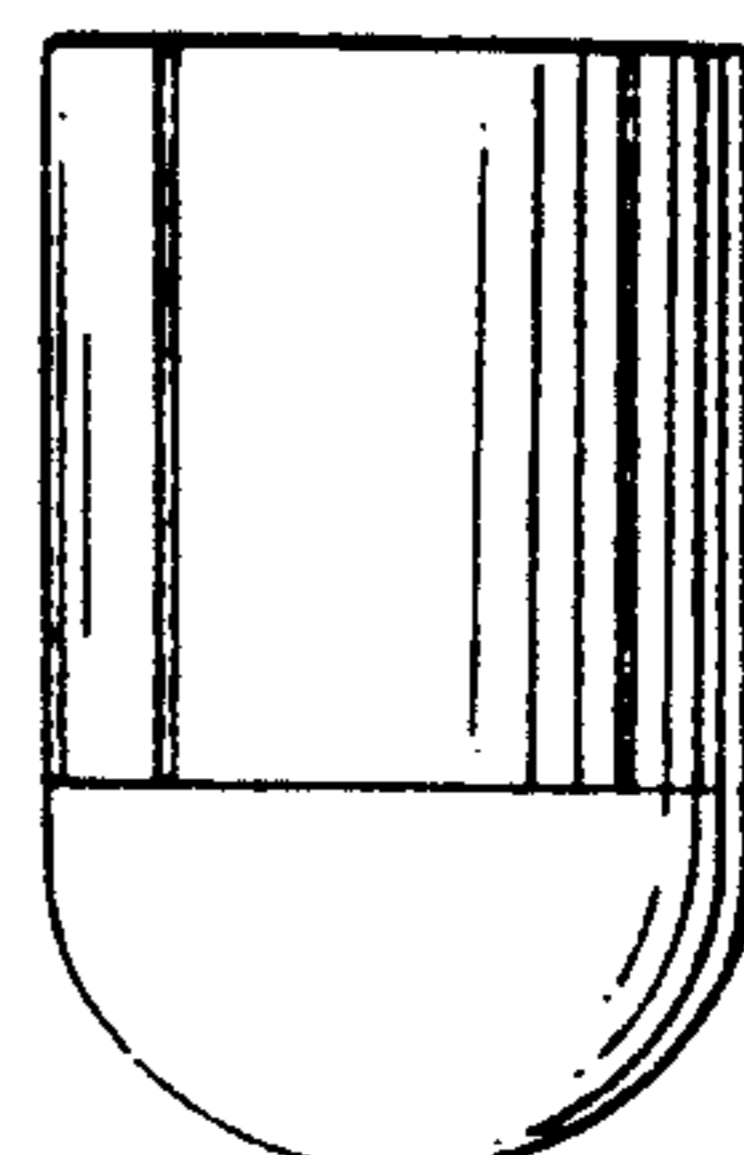


FIG. 3

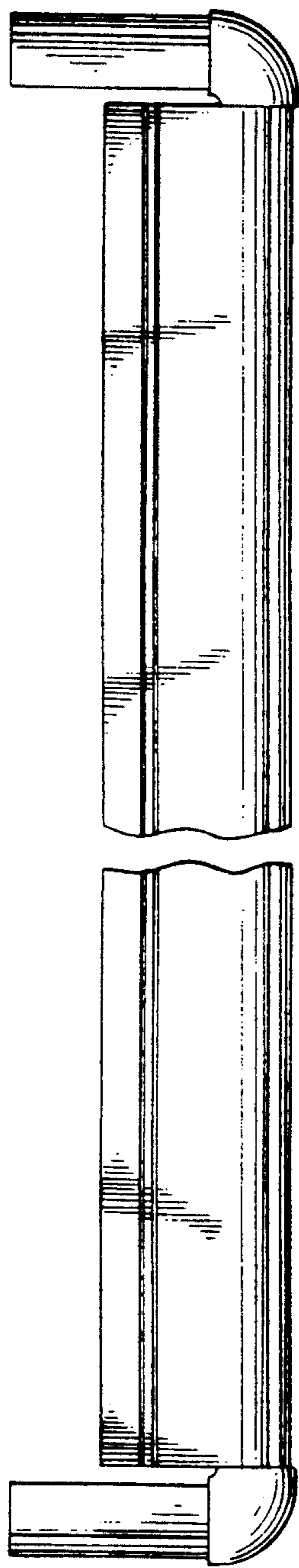


FIG. 4

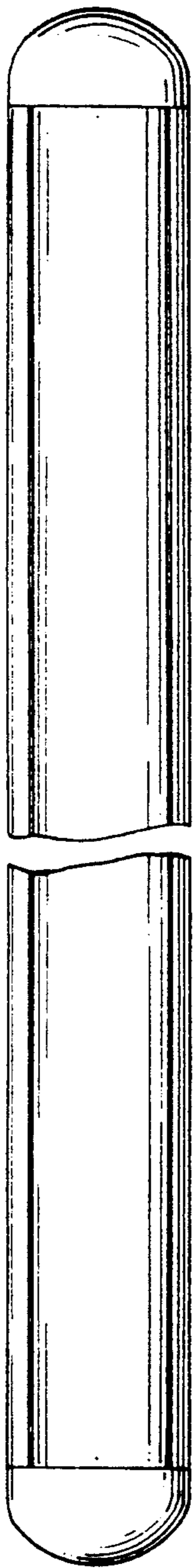


FIG. 5

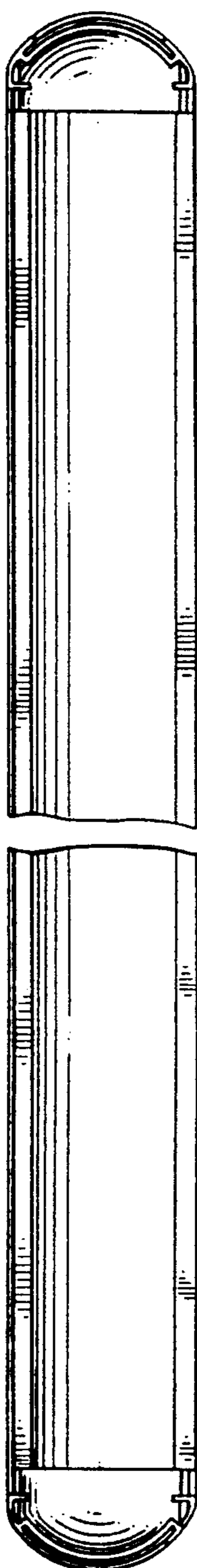


FIG. 6

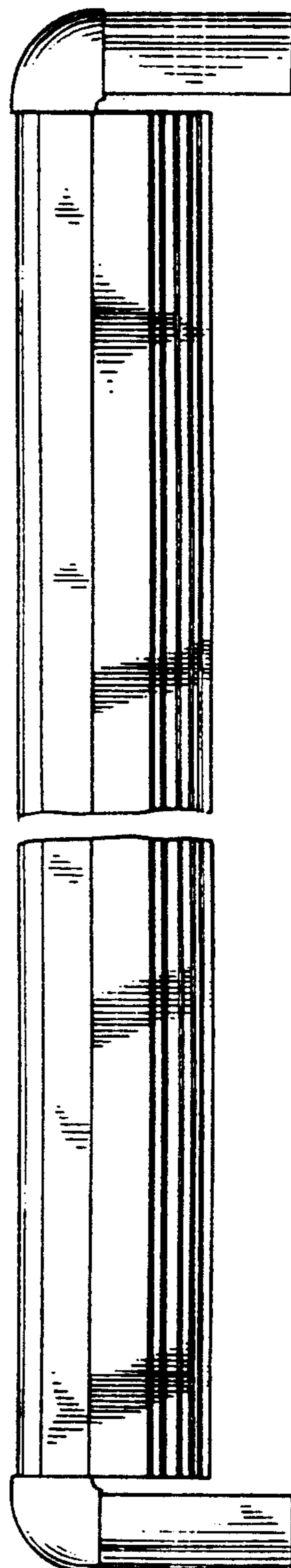


FIG. 7