



US00D345095S

United States Patent [19]

[11] Patent Number: **Des. 345,095**

Hanway

[45] Date of Patent: **** Mar. 15, 1994**

[54] **REEL FOR BARBWIRE**

4,095,706	6/1978	Schwien et al.	242/86.5 R
4,103,831	8/1978	Laudemann et al.	242/86.5 R
4,343,443	8/1982	Grounds	242/86.7
4,518,299	5/1985	Vanderlei	242/86.5 R

[76] Inventor: **Harold L. Hanway**, Rte. 4 Box 393,
St. Joseph, Mo. 64507

[**] Term: **14 Years**

Primary Examiner—Bernard Ansher
Assistant Examiner—P. Hyder
Attorney, Agent, or Firm—Leon Gilden

[21] Appl. No.: **600,120**

[22] Filed: **Oct. 19, 1990**

[52] U.S. Cl. **D8/358**

[58] Field of Search **D8/358, 51; 242/85,**
242/86.5, 86.7, 54 R, 129

[57] **CLAIM**

The ornamental design for a reel for barbwire, as shown and described.

DESCRIPTION

FIG. 1 is a front elevational view of the reel for barbwire showing my new design;
FIG. 2 is a rear elevational view thereof;
FIG. 3 is a left side elevational view thereof;
FIG. 4 is a right side elevational view thereof;
FIG. 5 is a top plan view thereof;
FIG. 6 is a bottom plan view thereof; and,
FIG. 7 is a perspective view thereof.

[56] **References Cited**

U.S. PATENT DOCUMENTS

D. 28,240	2/1898	Wellhouse	D9/305
2,620,201	12/1952	Brady, Sr.	242/86.5 R
3,325,119	6/1967	Lehtio	242/86.7
3,544,031	12/1970	White	242/86.5
3,764,031	10/1973	Parsen	242/86.5 R
3,860,193	1/1975	Green	242/86.5 R

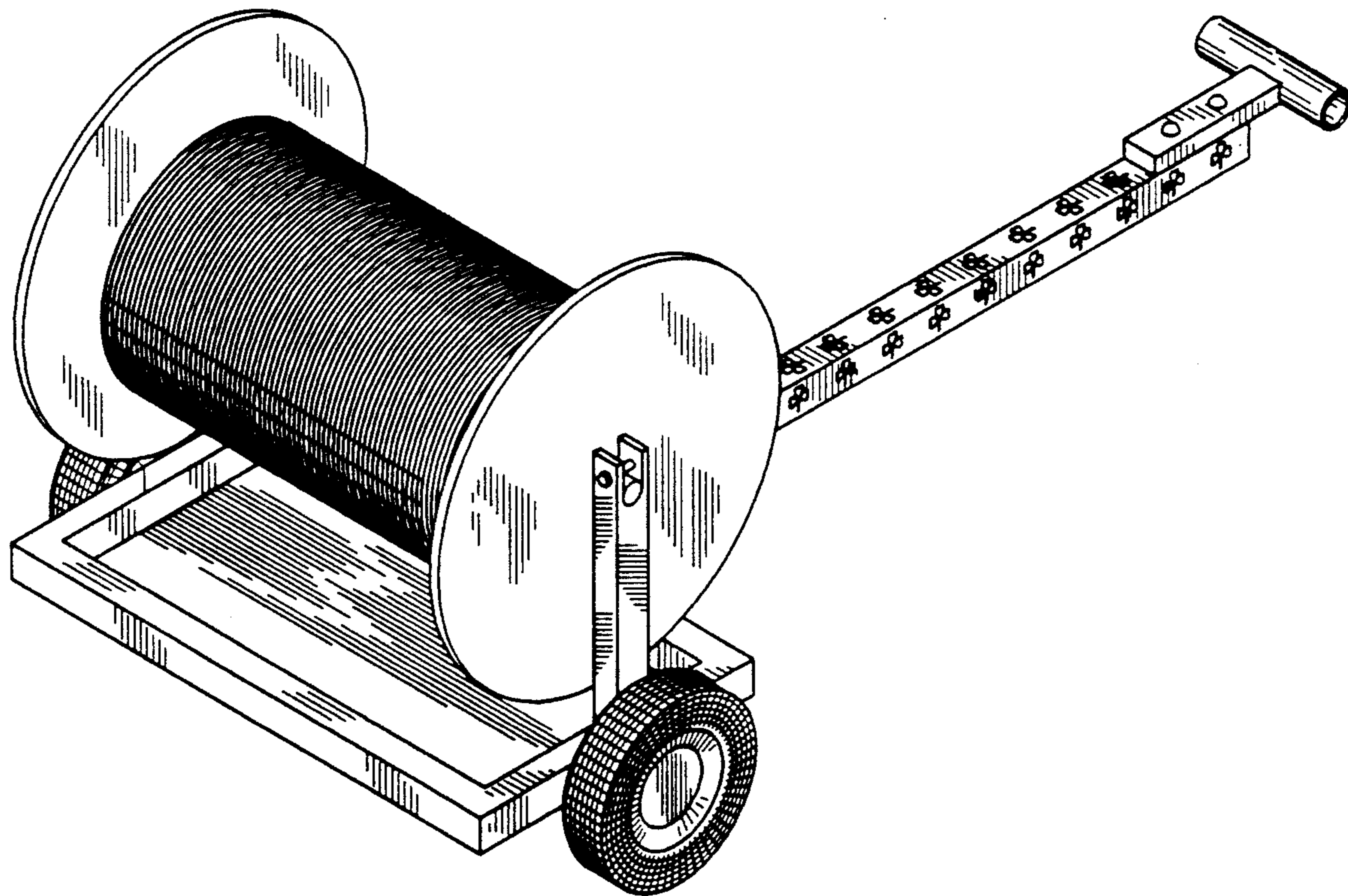


FIG. 1

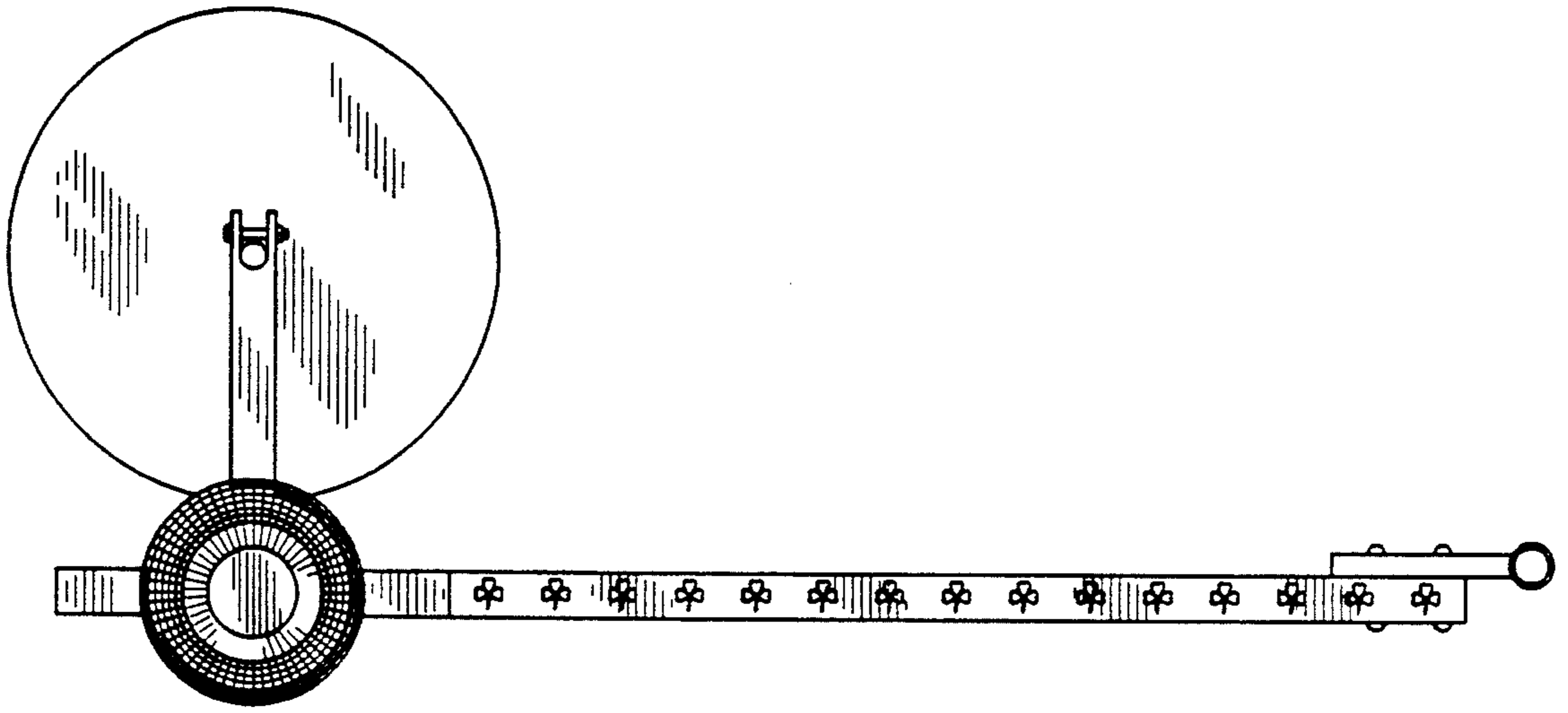


FIG. 2

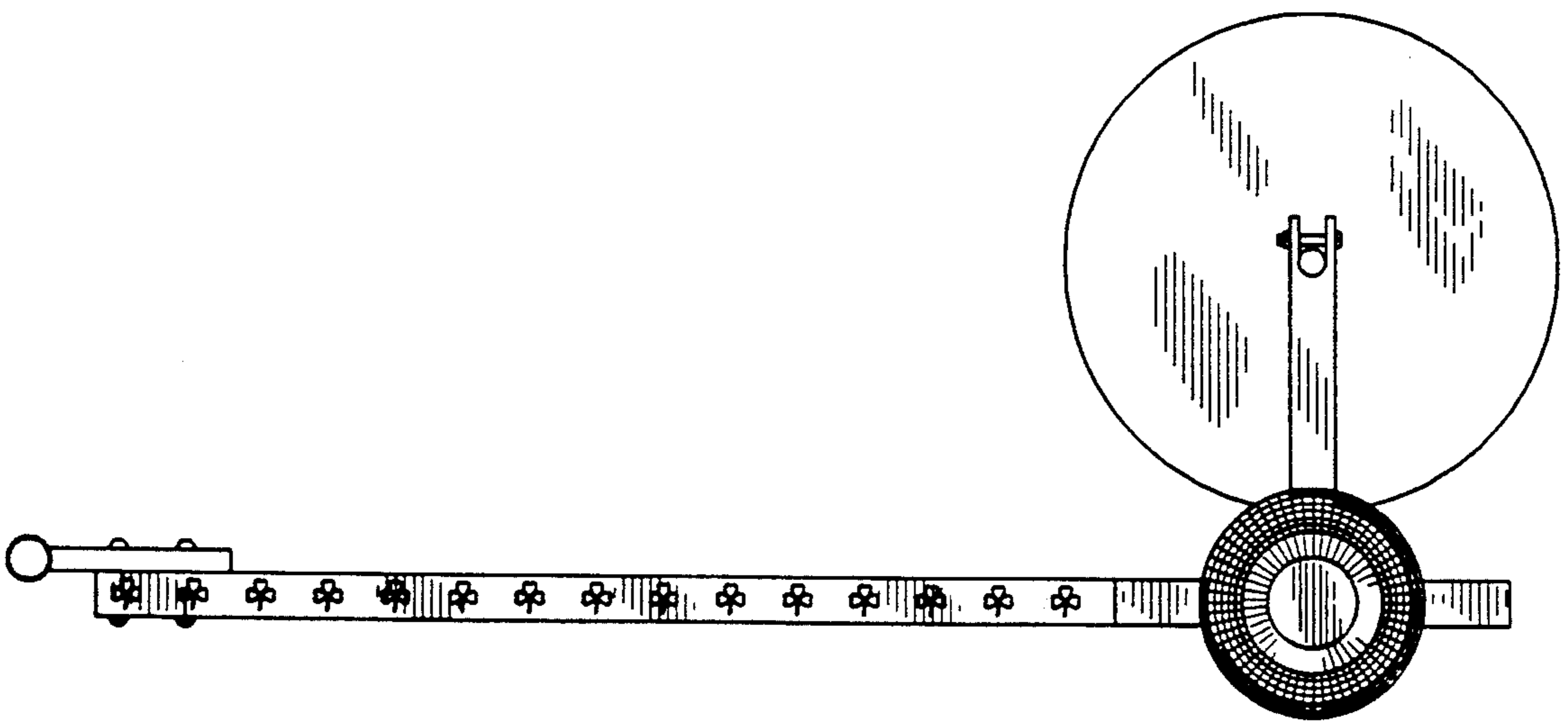


FIG. 3

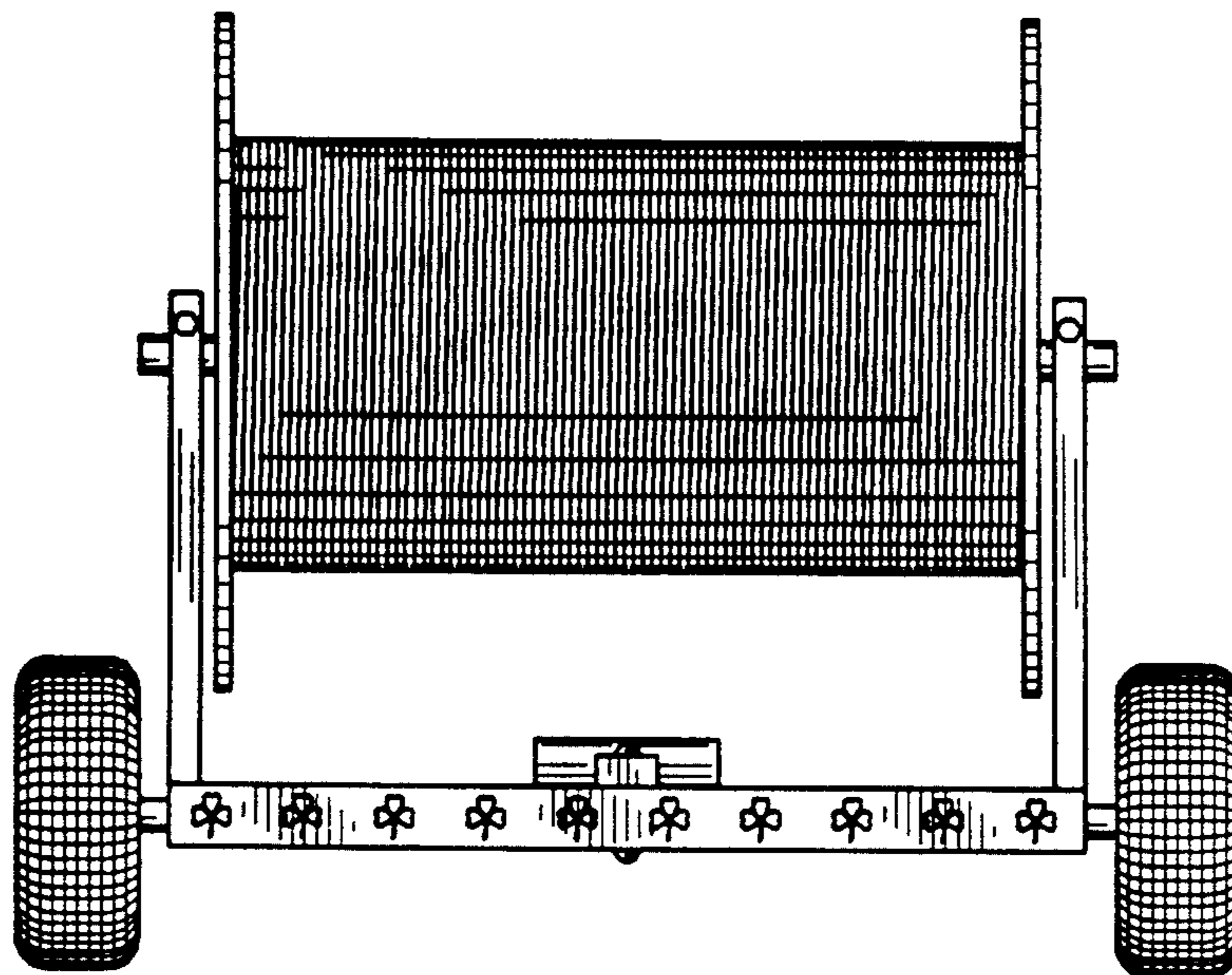


FIG. 4

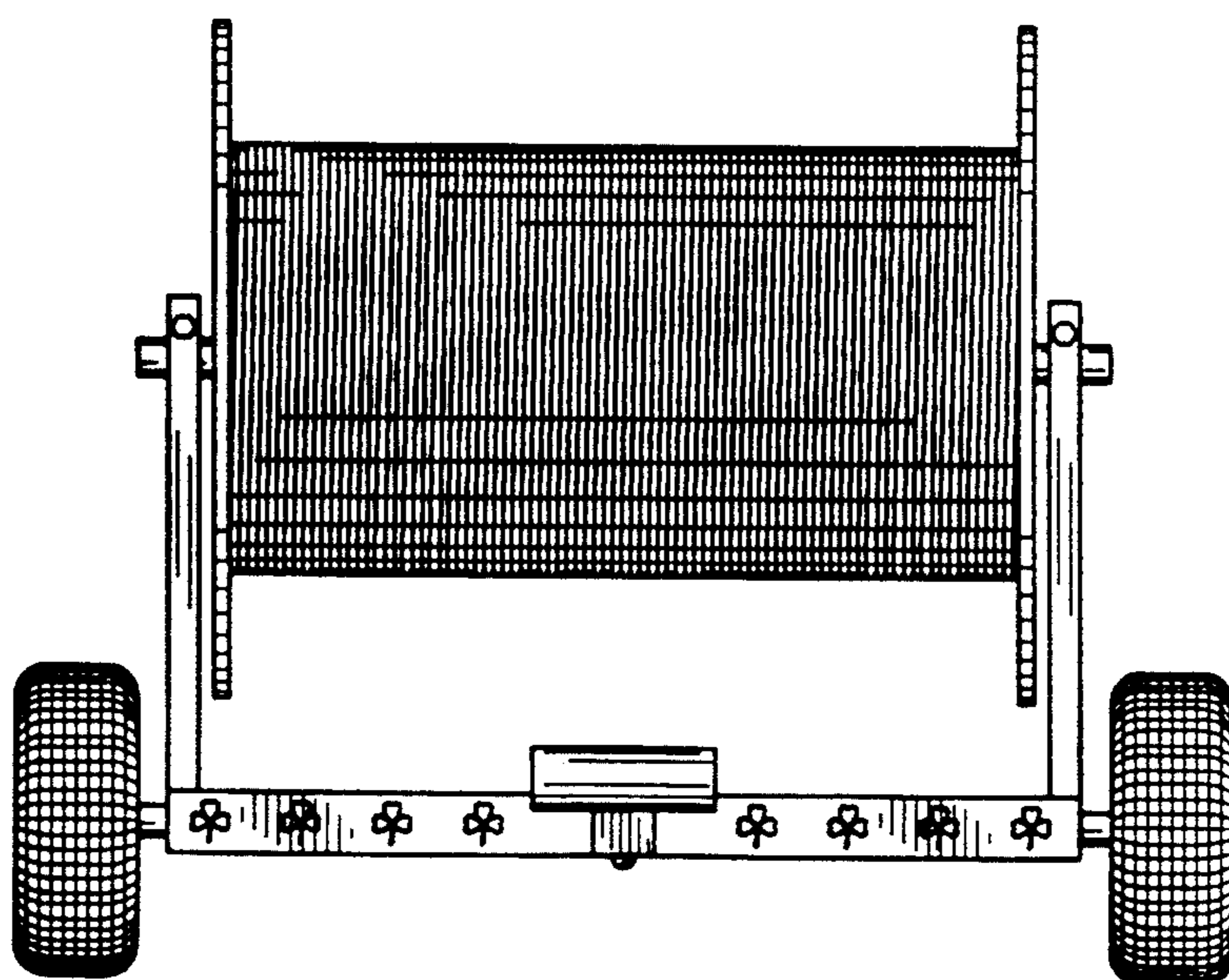


FIG. 5

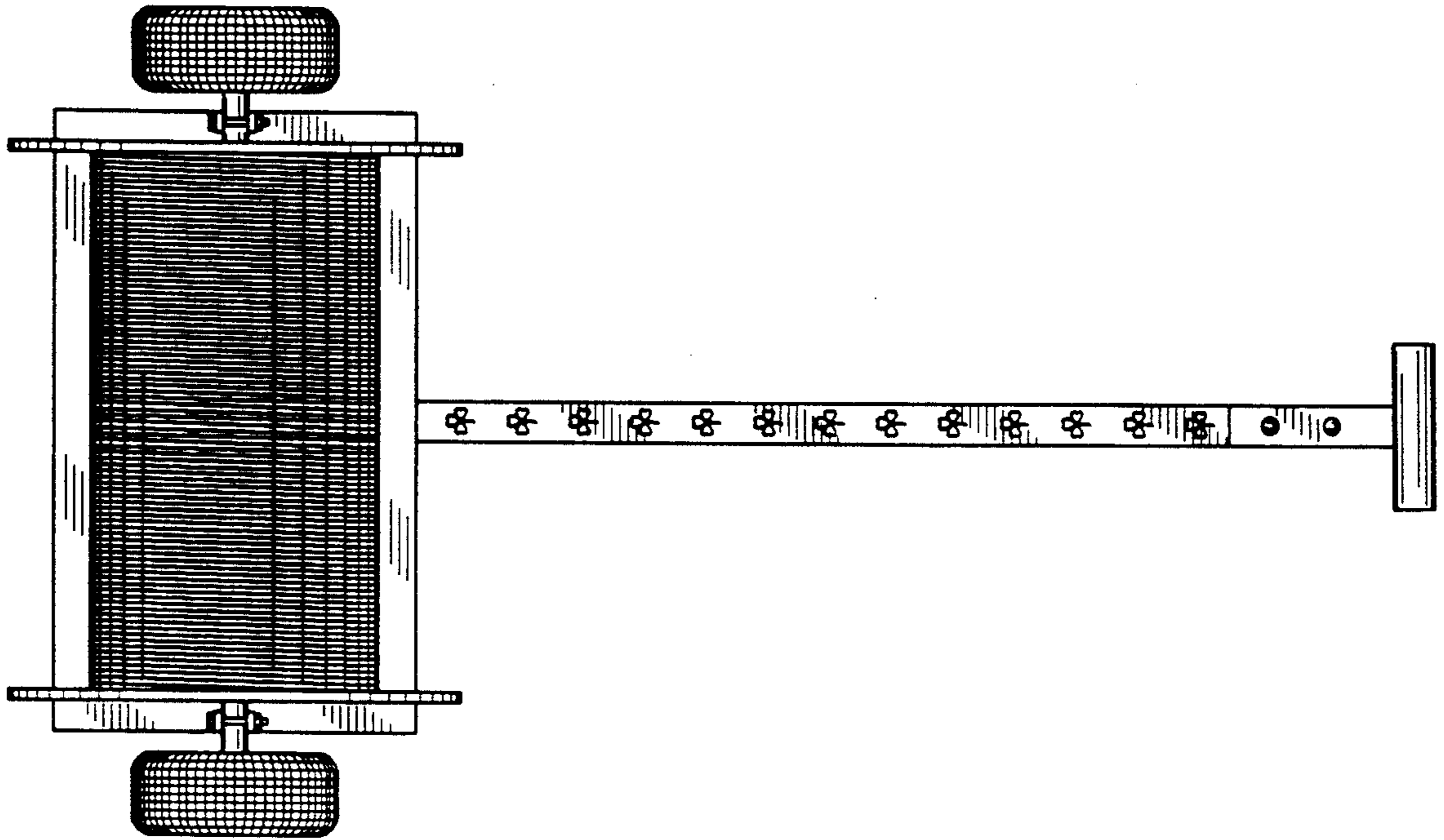


FIG. 6

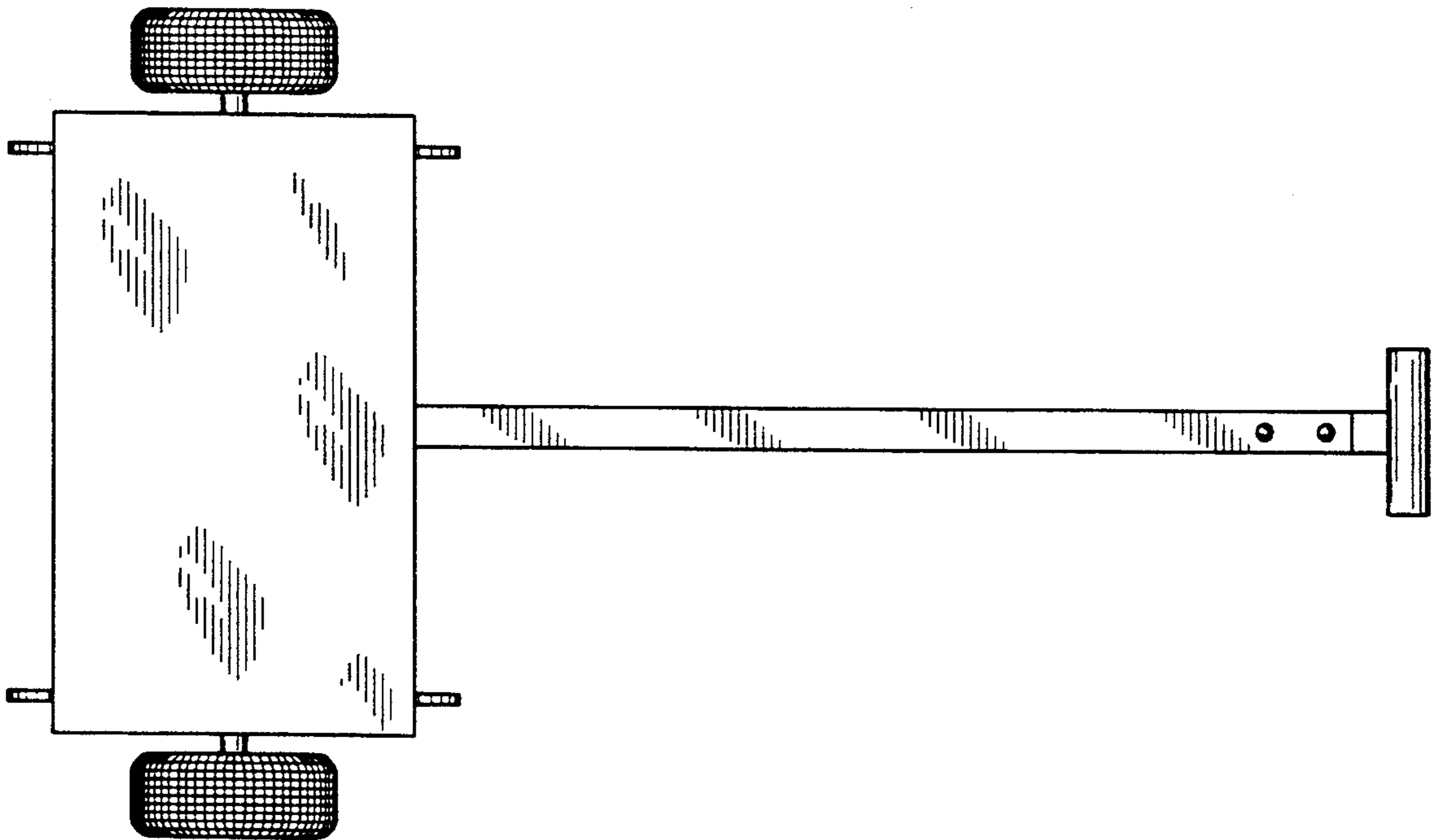


FIG. 7

