



US00D345090S

United States Patent [19]
Okumura

[11] **Patent Number: Des. 345,090**
[45] **Date of Patent: ** Mar. 15, 1994**

[54] **PORTABLE ELECTRIC SCREWDRIVER**
[75] **Inventor: Michio Okumura, Anjo, Japan**
[73] **Assignee: Makita Corporation, Anjo, Japan**
[**] **Term: 14 Years**
[21] **Appl. No.: 5,116**
[22] **Filed: Feb. 19, 1993**
[52] **U.S. Cl. D8/68**
[58] **Field of Search D8/61, 68; 173/48, 93,
173/96, 170; 81/57, 57.11, 57.13**

D. 337,711 7/1993 Ogawa et al. D8/68
D. 340,396 10/1993 Ichikawa D8/68
4,739,838 4/1988 Marks 173/170

Primary Examiner—Alan P. Douglas
Assistant Examiner—J. H. Musgrove
Attorney, Agent, or Firm—Dennison, Meserole, Pollack & Scheiner

[57] **CLAIM**

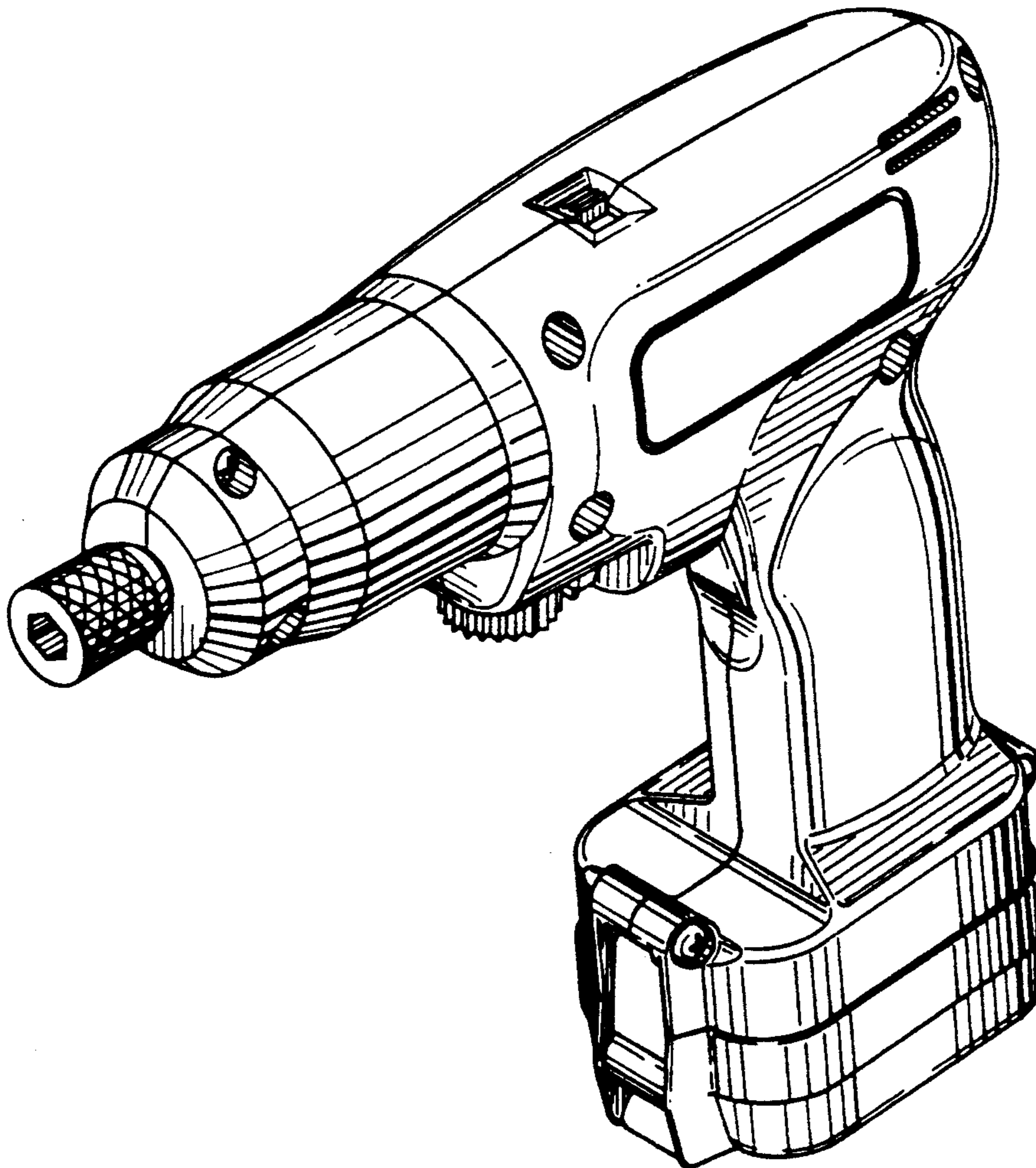
The ornamental design for a portable electric screwdriver, as shown and described.

DESCRIPTION

FIG. 1 is a perspective view of a portable electric screwdriver showing my new design;
FIG. 2 is a front elevational view thereof;
FIG. 3 is a rear elevational view thereof;
FIG. 4 is a left side elevational view thereof;
FIG. 5 is a right side elevational view thereof;
FIG. 6 is a top plan view thereof; and
FIG. 7 is a bottom plan view thereof.

[56] **References Cited**
U.S. PATENT DOCUMENTS

D. 302,786 8/1989 Fushiya et al. D8/68
D. 319,763 9/1991 Reiferscheid D8/68
320,917 10/1991 Fushiya et al. D8/68
323,276 1/1992 Fushiya et al. D8/68
D. 330,152 10/1992 Ogawa et al. D8/68



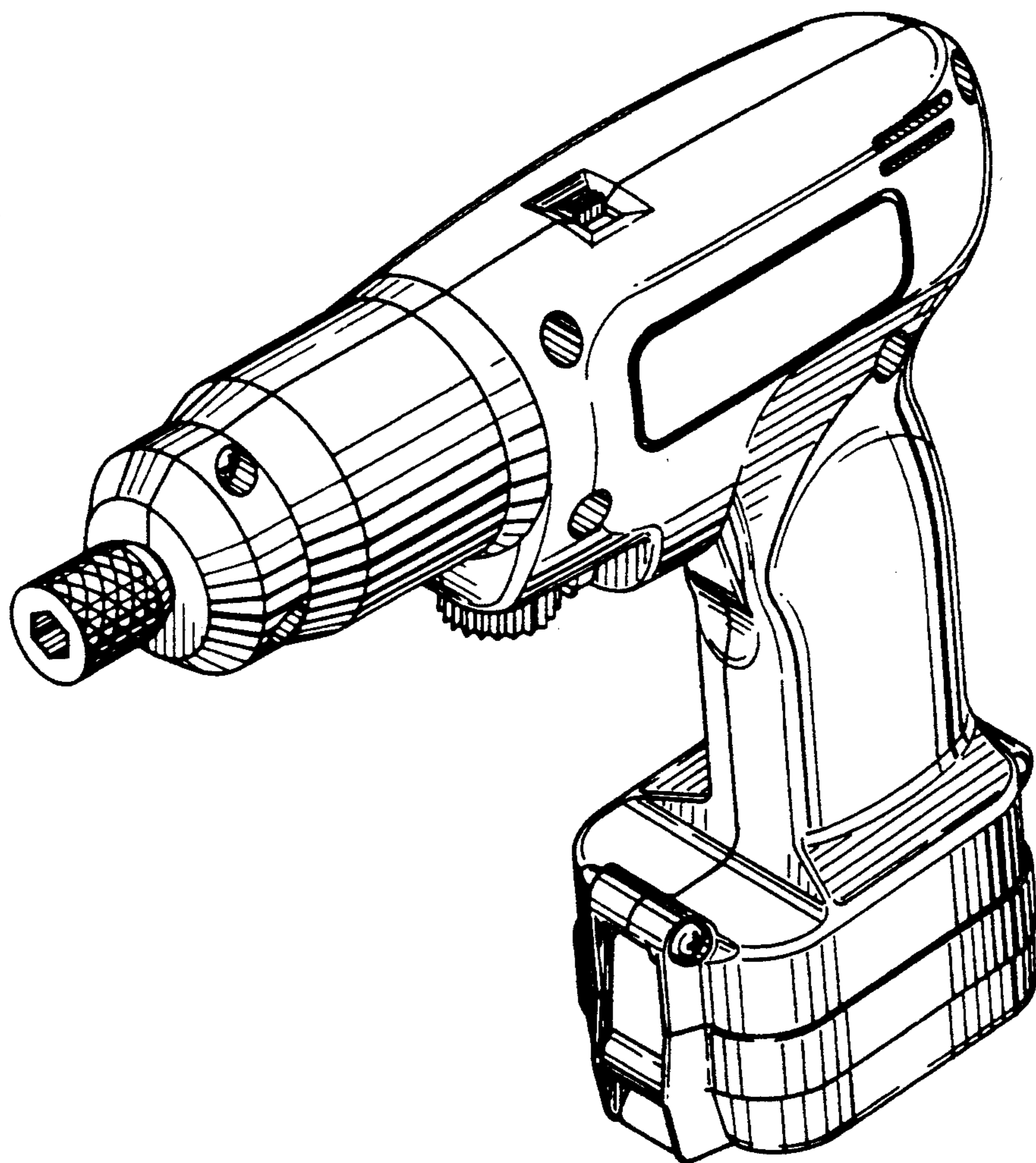


FIG. 1

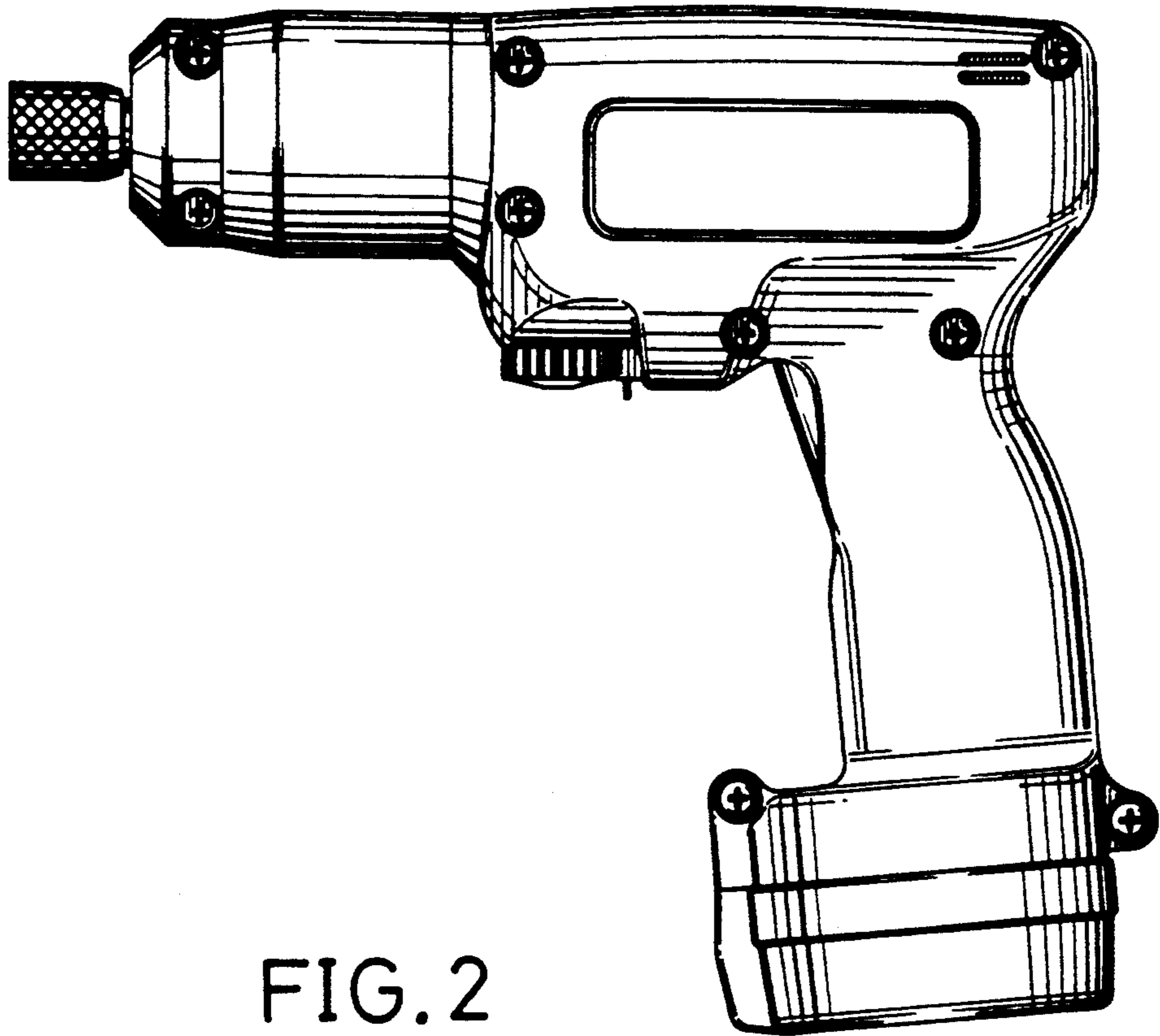


FIG. 2

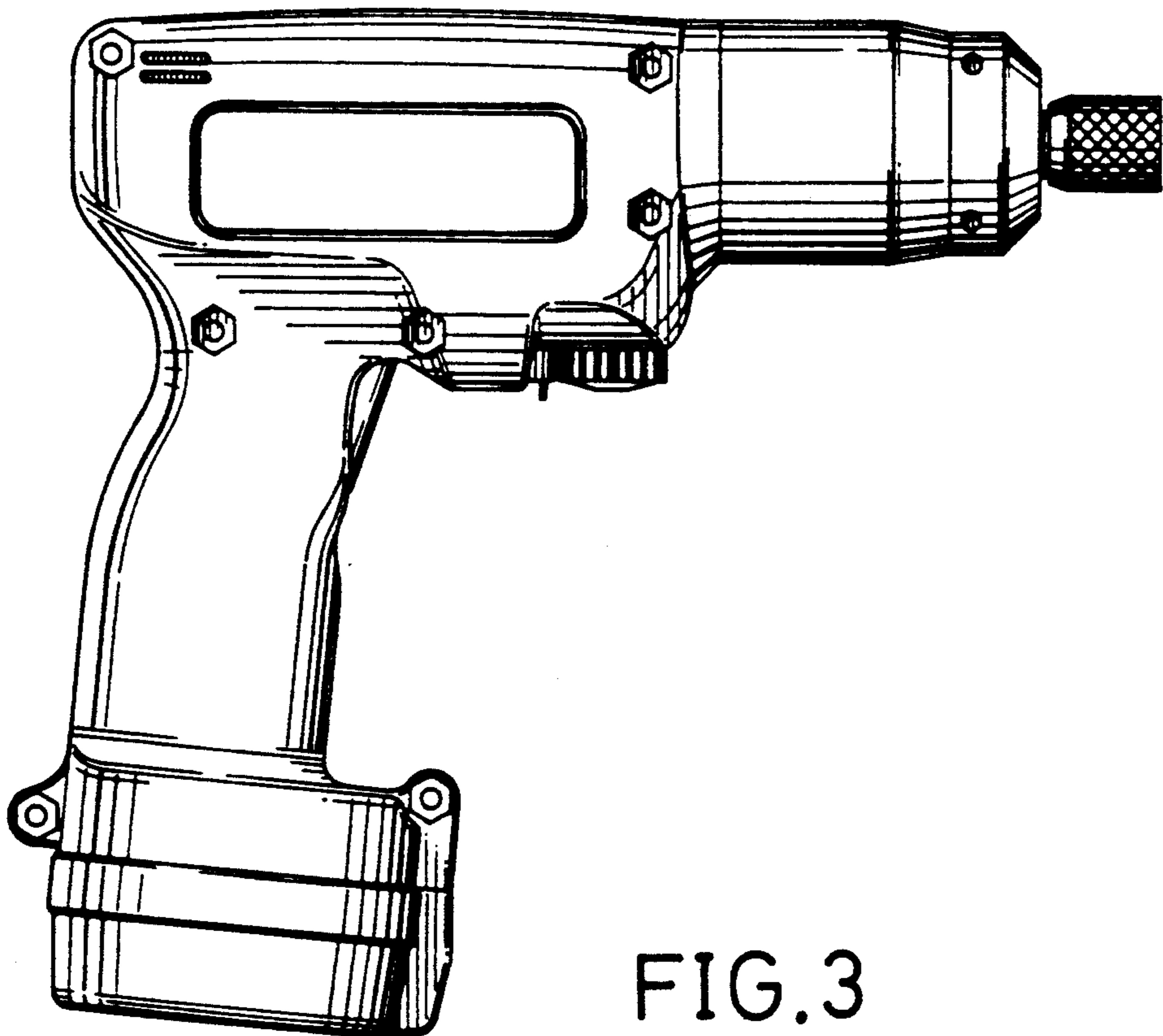


FIG. 3

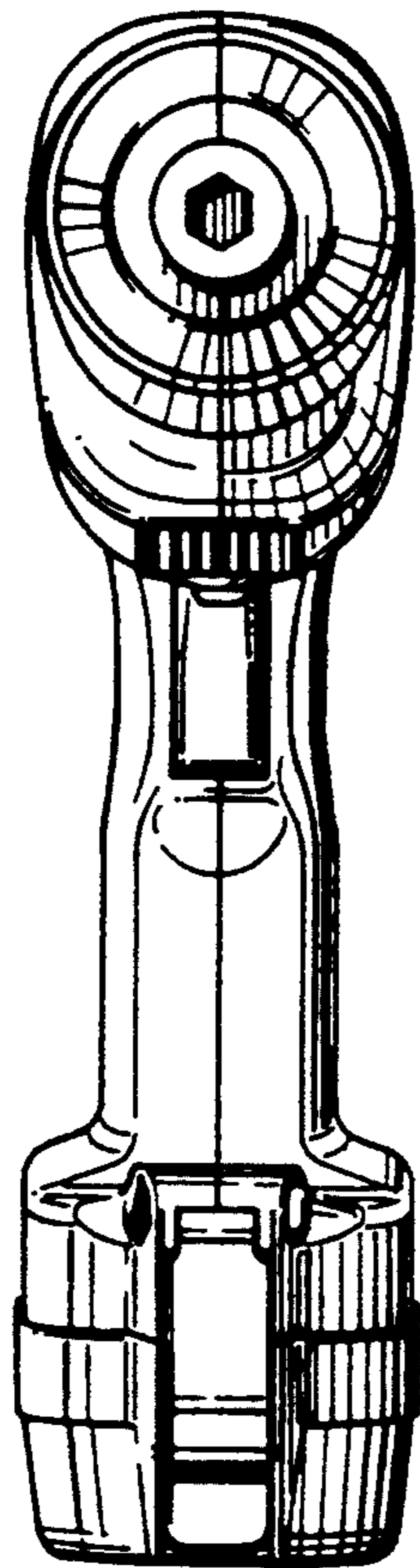


FIG. 4

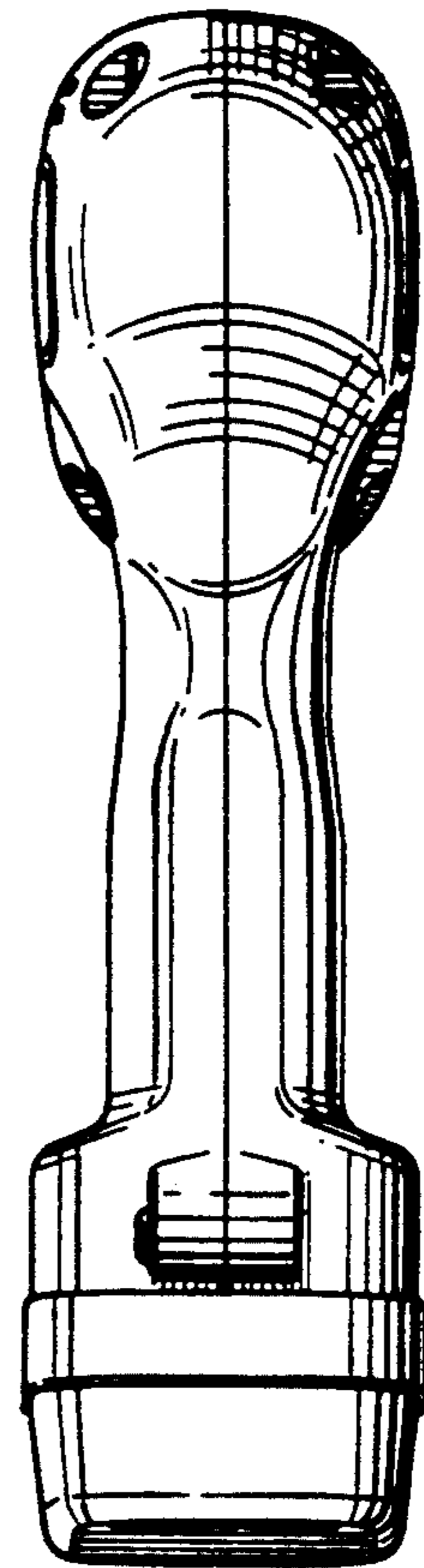


FIG. 5

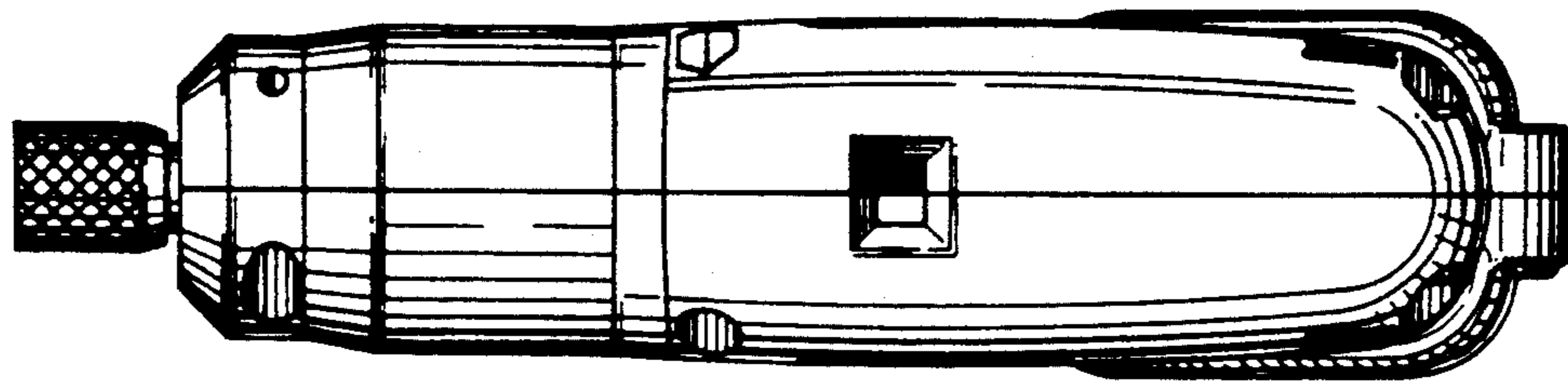


FIG. 6

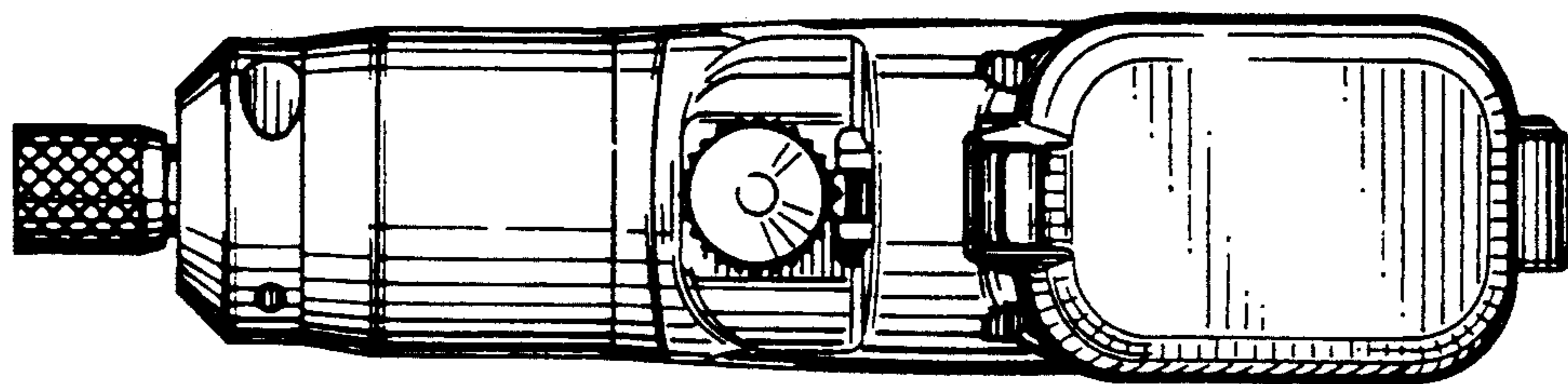


FIG. 7