



US00D345089S

# United States Patent [19]

[11] Patent Number: **Des. 345,089**

**Kikuchi et al.**

[45] Date of Patent: **\*\* Mar. 15, 1994**

[54] **RANDOM ORBITAL SANDER**

[75] Inventors: **Naoki Kikuchi**, Chandler, Ariz.;  
**Wade Greer**, Greenville, S.C.

[73] Assignee: **Ryobi Motor Products Corp.**, Easley,  
S.C.

[\*\*] Term: **14 Years**

[21] Appl. No.: **460**

[22] Filed: **Oct. 15, 1992**

[52] U.S. Cl. .... **D8/62**

[58] Field of Search ..... **D8/61, 62; 51/170 R,**  
**51/170 T, 170 TL, 170 MT**

D. 329,362 9/1992 Saito et al. .... **D8/62**  
 D. 332,734 1/1993 Fushiya et al. .... **D8/62**  
 D. 335,618 5/1993 Mogaki ..... **D8/62**

*Primary Examiner*—Alan P. Douglas  
*Assistant Examiner*—Jeffry H. Musgrove  
*Attorney, Agent, or Firm*—Brooks & Kushman

## [57] CLAIM

The ornamental design of a random orbital sander, as shown and described in the drawings.

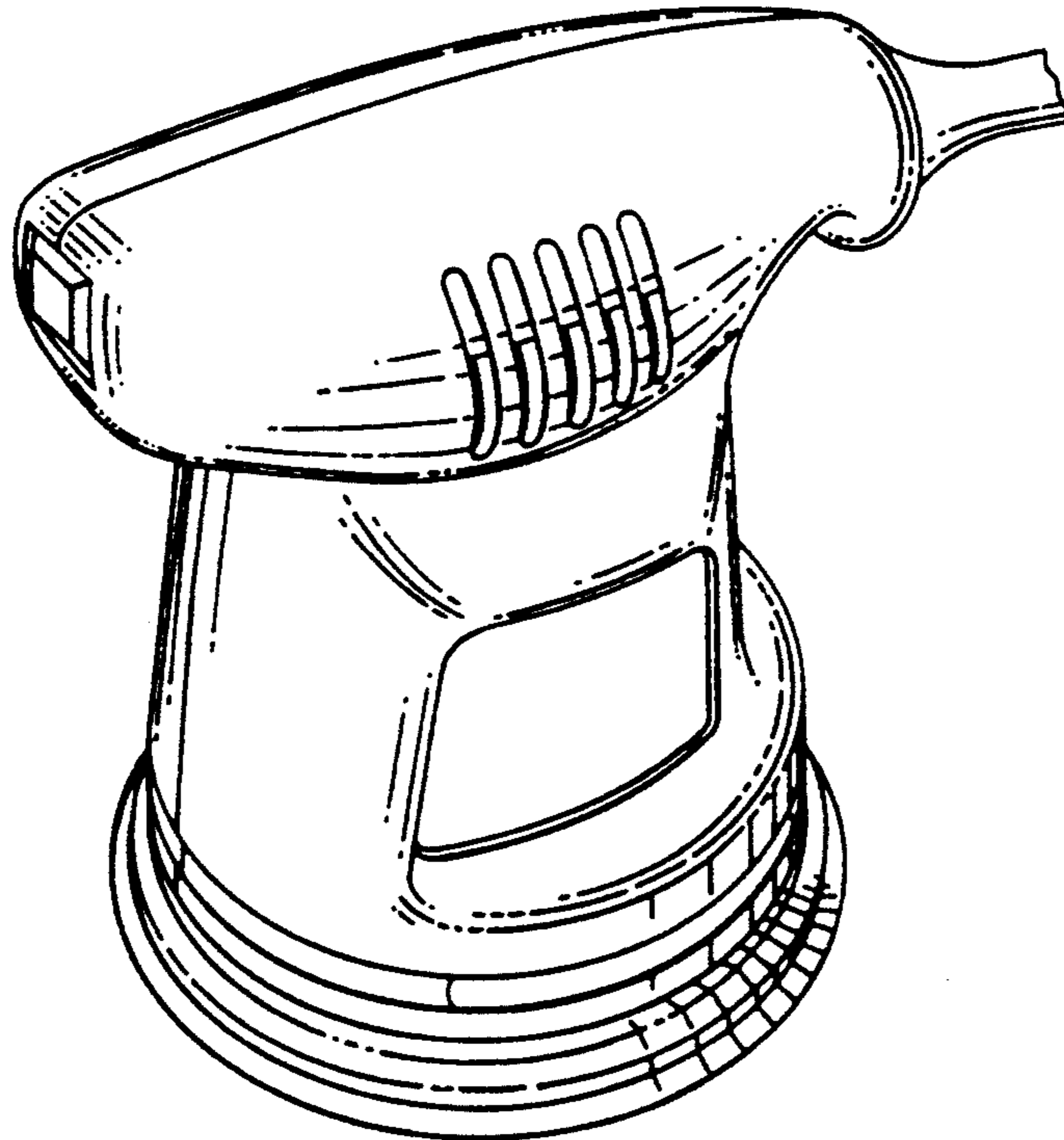
## DESCRIPTION

FIG. 1 is a perspective view of a random orbital sander showing our new design;  
 FIG. 2 is a left side elevational view thereof;  
 FIG. 3 is a right side elevational view;  
 FIG. 4 is a front side elevational view;  
 FIG. 5 is a rear side elevational view;  
 FIG. 6 is a top plan view; and,  
 FIG. 7 is a bottom plan view.

[56] **References Cited**

**U.S. PATENT DOCUMENTS**

D. 310,007 8/1990 Saito et al. .... **D8/62**  
 D. 324,803 3/1992 Butzen et al. .... **D8/62**  
 D. 326,398 5/1992 Fushiya et al. .... **D8/62**



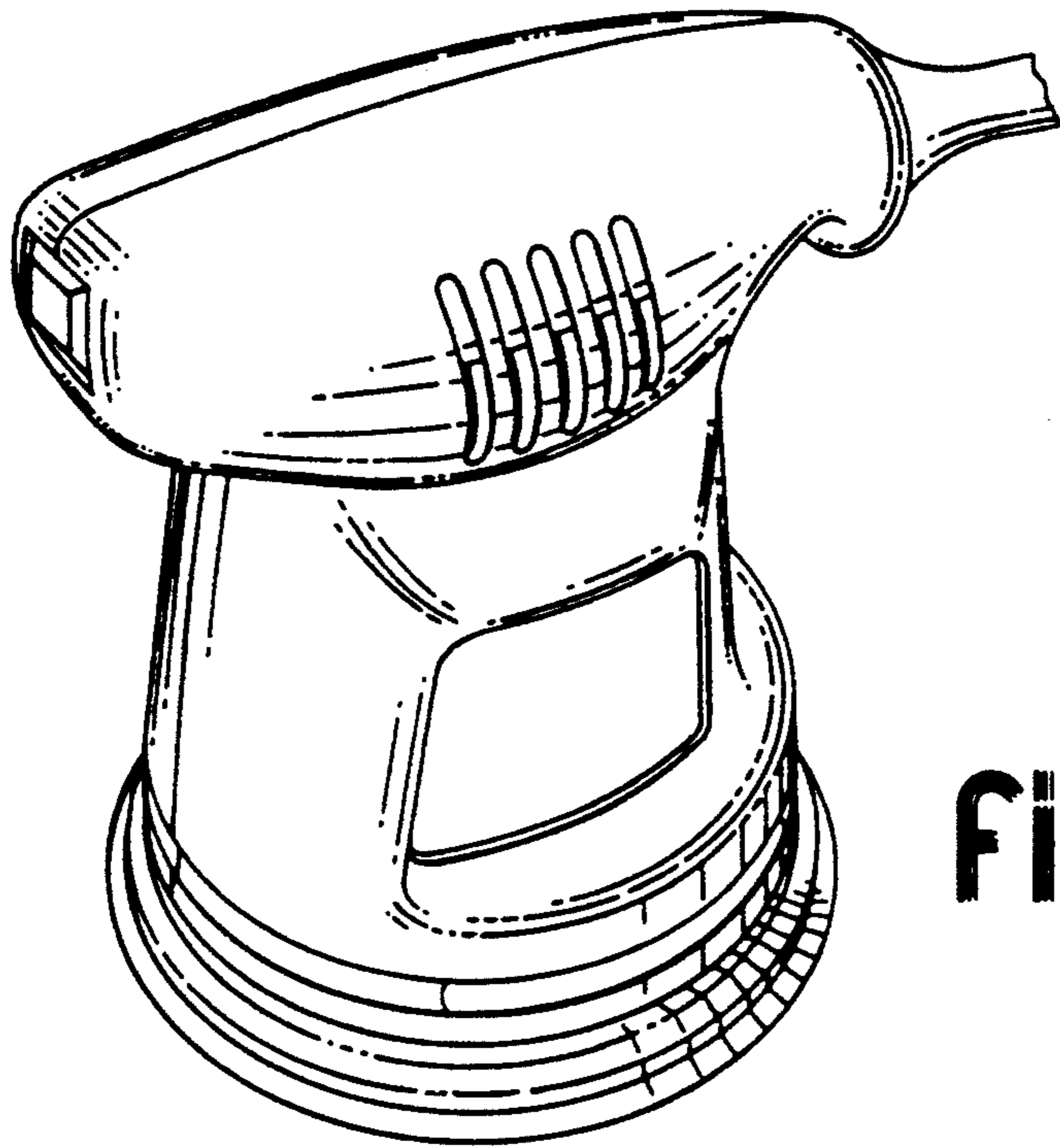


fig-1

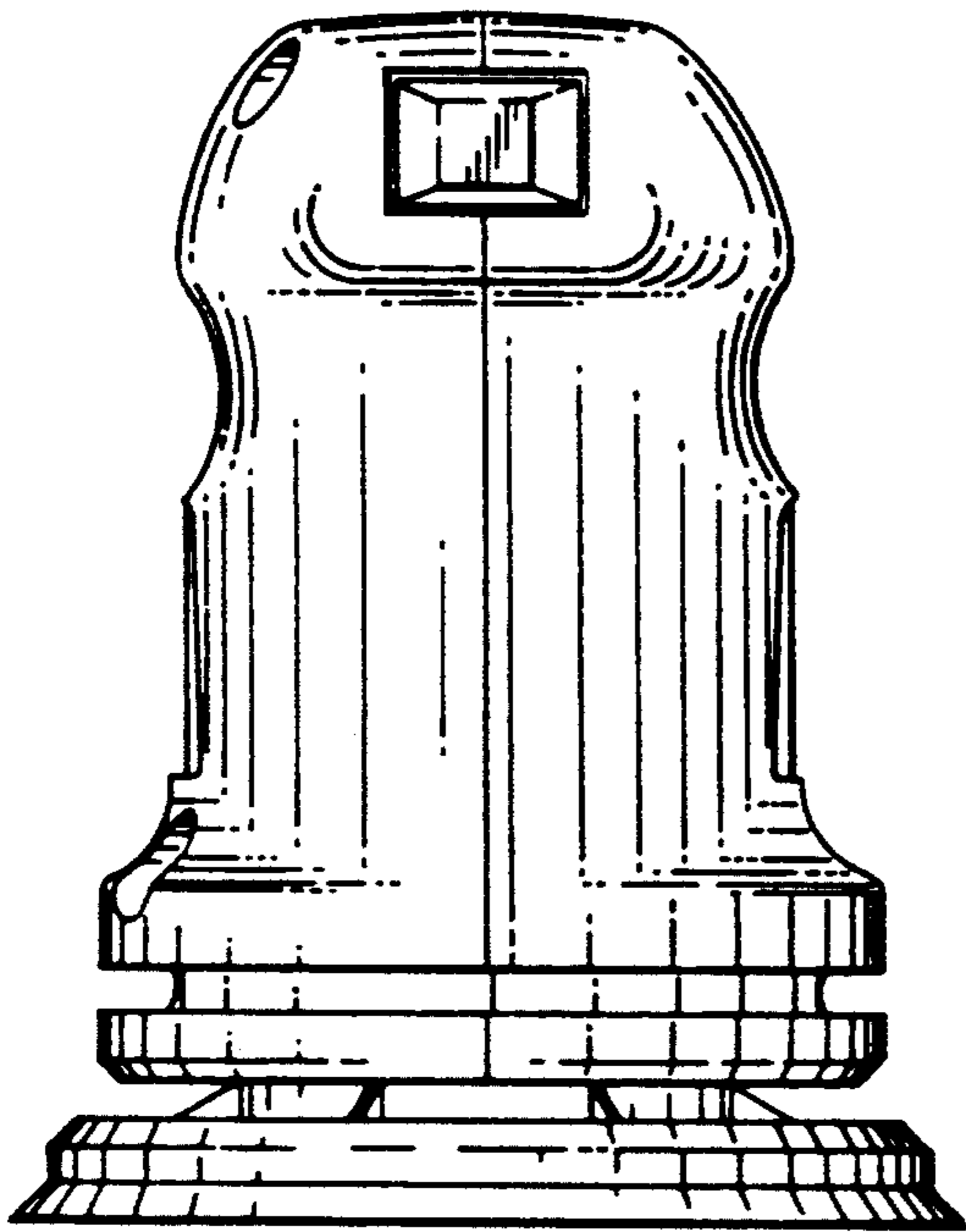


fig-2

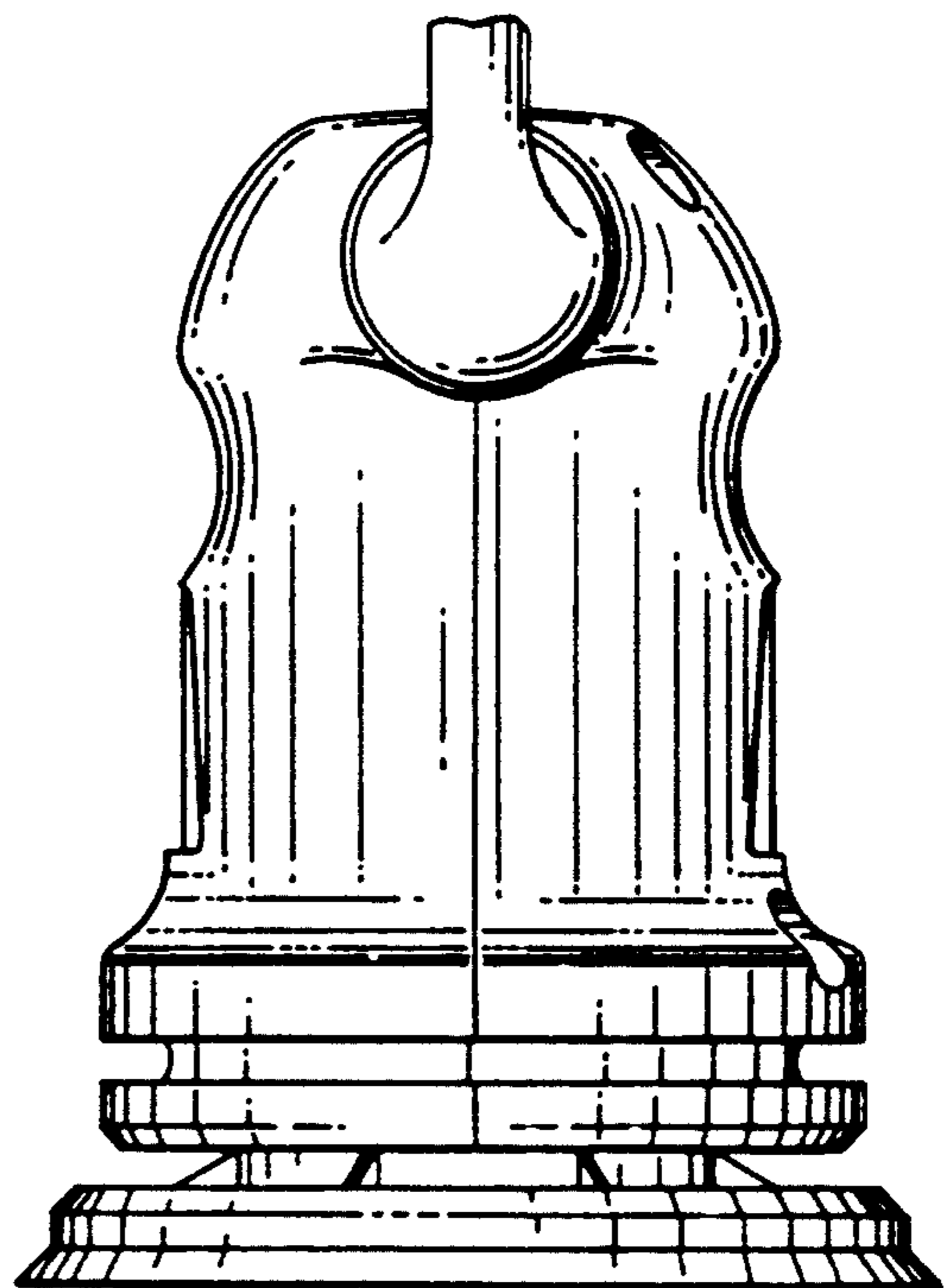


fig-3

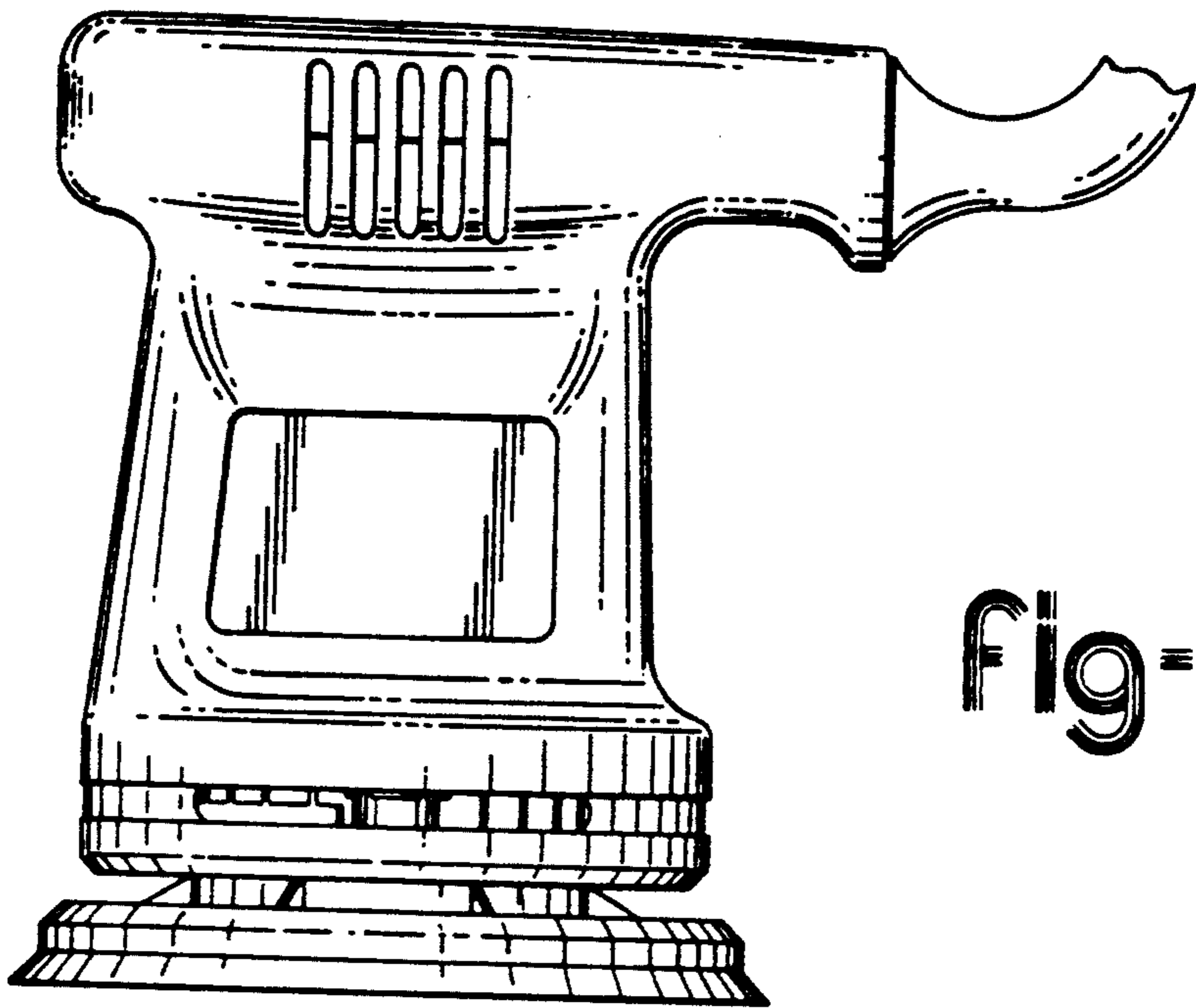


fig-4

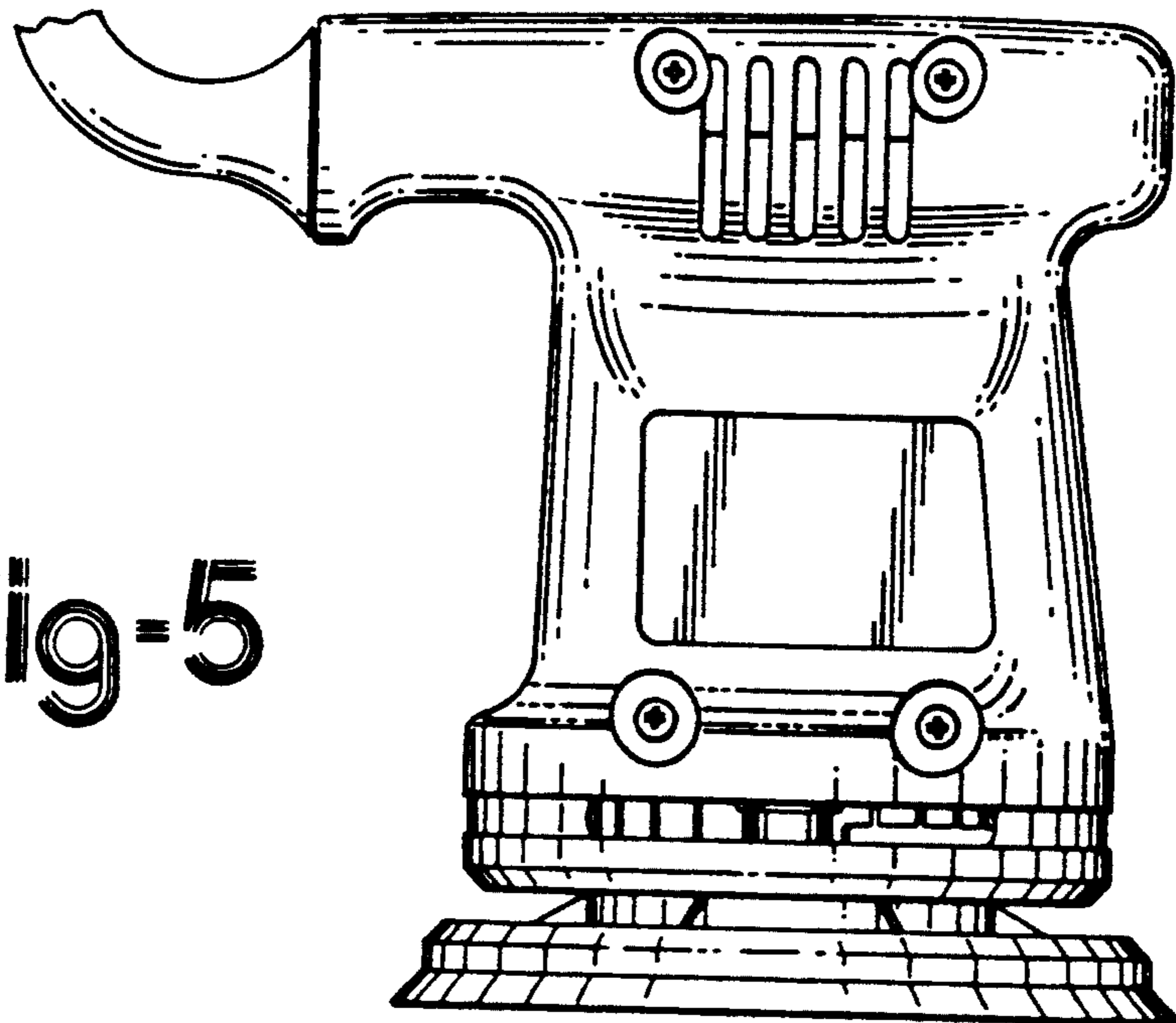


fig-5

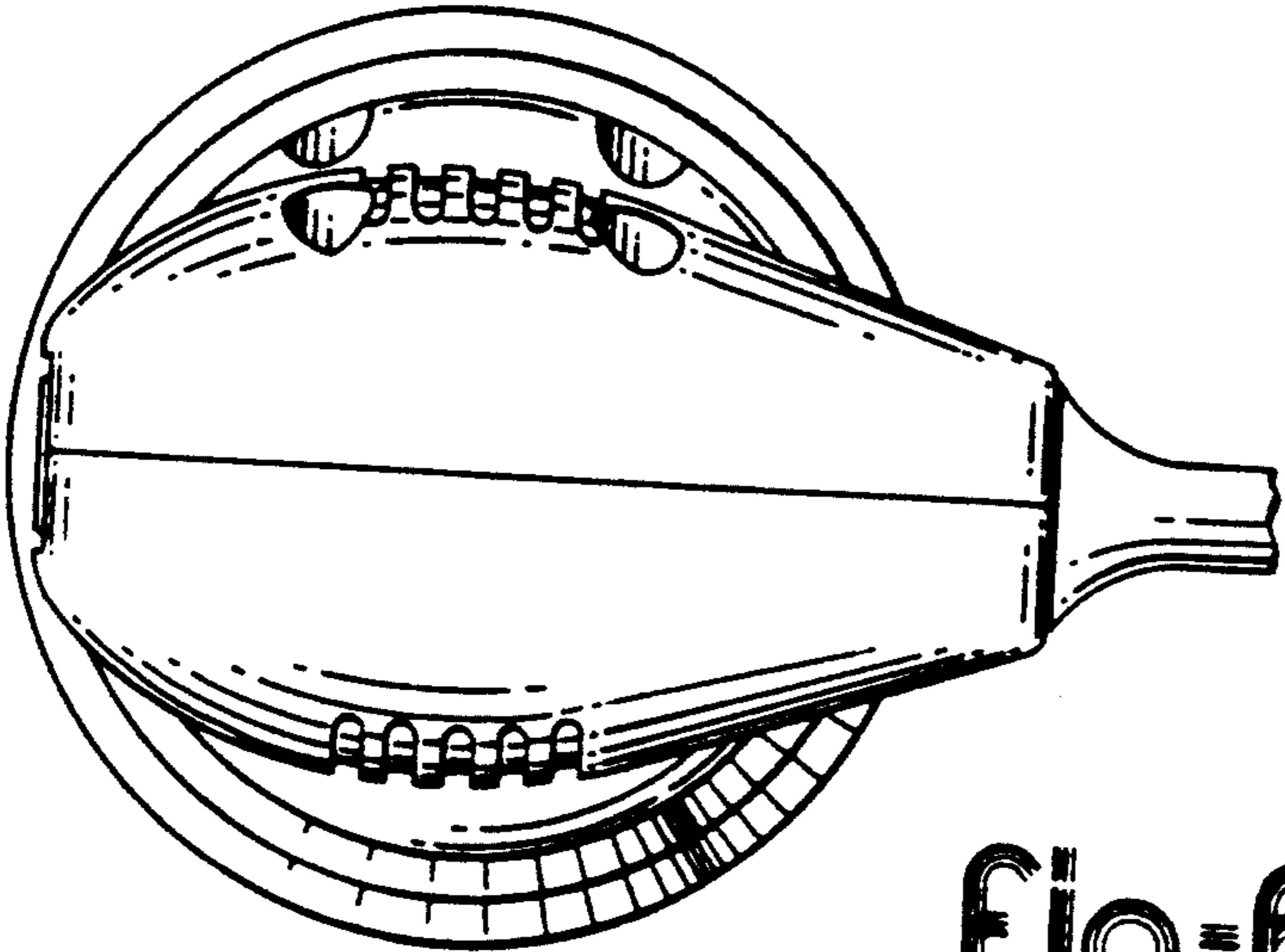


Fig-6

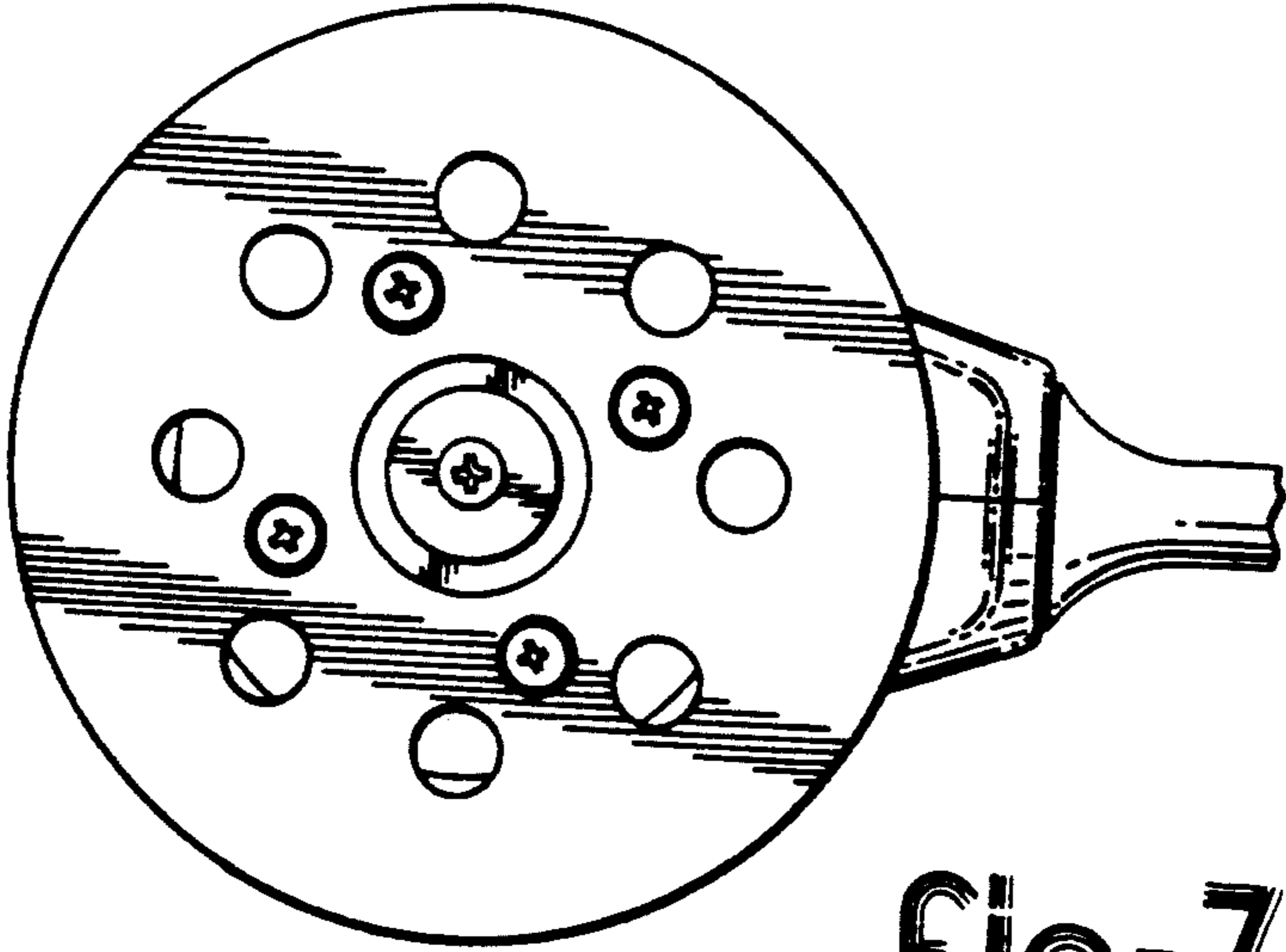


Fig-7