



US00D345086S

United States Patent [19]

[11] Patent Number: **Des. 345,086**

Shapiro

[45] Date of Patent: **** Mar. 15, 1994**

[54] **EATING UTENSIL**

[76] Inventor: **Sidney Shapiro**, 6065 Roswell Rd.,
Ste. 420, Atlanta, Ga. 30328

[**] Term: **14 Years**

[21] Appl. No.: **8,310**

[22] Filed: **May 13, 1993**

[52] U.S. Cl. **D7/642; 294/99.2**

[58] Field of Search **D7/642, 683, 669;**
7/112; 294/99.2

[56] **References Cited**

U.S. PATENT DOCUMENTS

- 3,640,561 2/1972 Law 294/99.2
- 4,707,922 11/1987 Hosak-Robb 294/99.2 X
- 4,973,095 11/1990 Kunihiisa 294/99.2

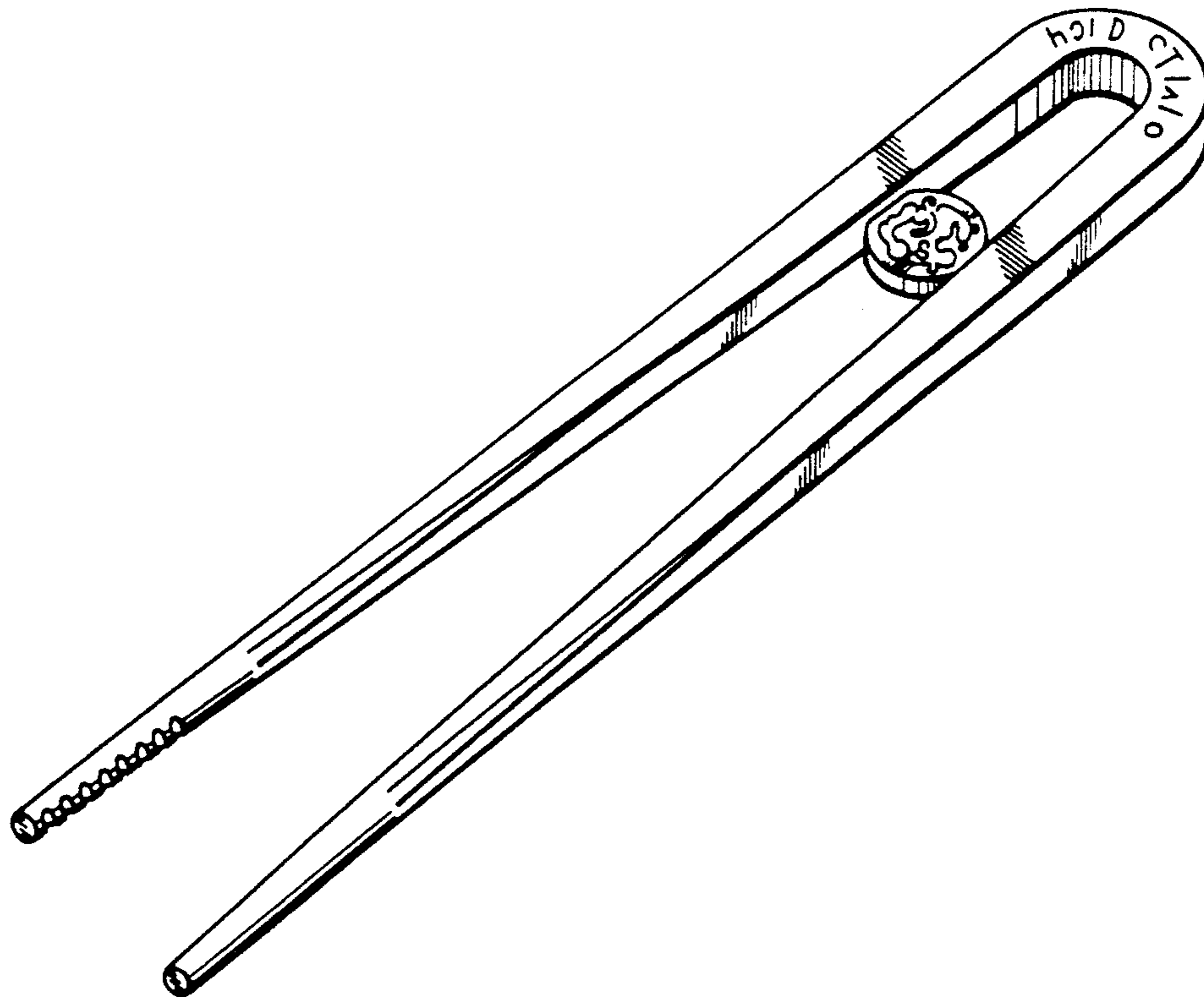
Primary Examiner—Alan P. Douglas
Assistant Examiner—Caron D. Veynar
Attorney, Agent, or Firm—Hopkins & Thomas

[57] **CLAIM**

The ornamental design for a eating utensil, as shown and described.

DESCRIPTION

FIG. 1 is a perspective view of my new design for an eating utensil;
FIG. 2 is a front view thereof, the back view being a mirror image of the front view;
FIG. 3 is a forward end view thereof;
FIG. 4 is a rear end view thereof; and,
FIG. 5 is a right side view thereof, the left side view being a mirror image of the right side view.



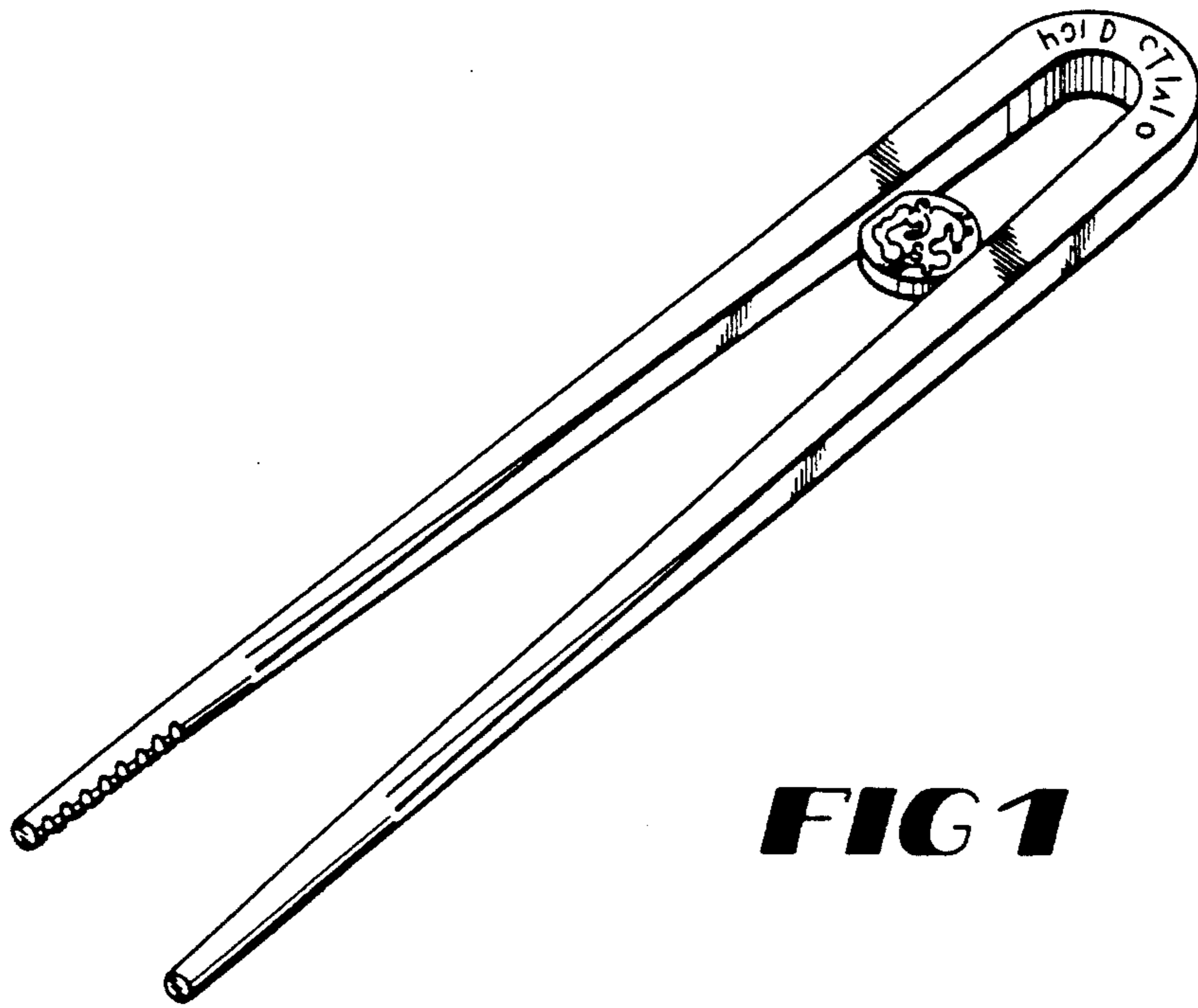


FIG 1

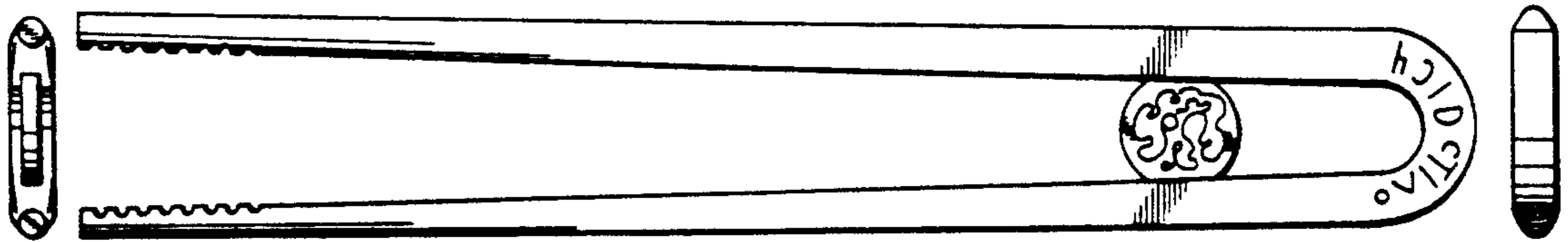


FIG 3

FIG 2

FIG 4



FIG 5