



US00D345085S

United States Patent [19]

[11] Patent Number: **Des. 345,085**

Sewell

[45] Date of Patent: **** Mar. 15, 1994**

[54] DISPENSER BIN

[56] References Cited

[76] Inventor: **Richard Sewell, 3201 Haggerty Rd.,
Walled Lake, Mich. 48390**

U.S. PATENT DOCUMENTS

D. 328,007 7/1992 Mondry et al. D7/589
4,903,866 2/1990 Loew 222/180 X

[**] Term: **14 Years**

Primary Examiner—Terry A. Wallace
Attorney, Agent, or Firm—Howard & Howard

[21] Appl. No.: **911,307**

[57] CLAIM

The ornamental design for a dispenser bin, as shown.

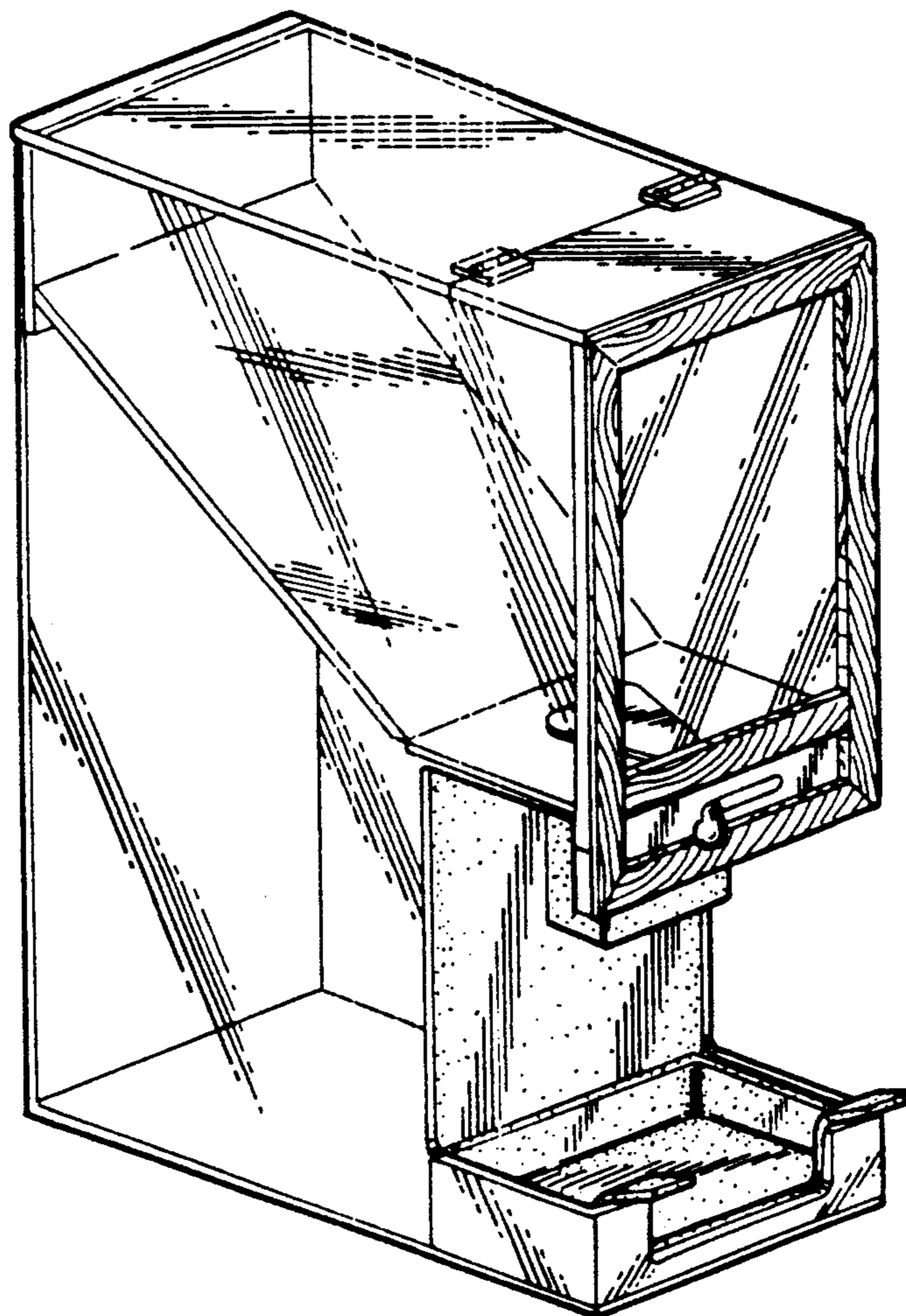
[22] Filed: **Jul. 10, 1992**

DESCRIPTION

[52] U.S. Cl. **D7/589**

[58] Field of Search D7/300, 589; D6/515;
222/129, 143, 163, 165, 173, 181, 185; D20/1, 3,
7

FIG. 1 is a perspective view of a dispenser bin showing my new design;
FIG. 2 is a right side elevational view thereof;
FIG. 3 is a rear elevational view thereof;
FIG. 4 is a left side elevational view thereof;
FIG. 5 is a front elevational view thereof;
FIG. 6 is a top plan view thereof; and,
FIG. 7 is a bottom plan view thereof.



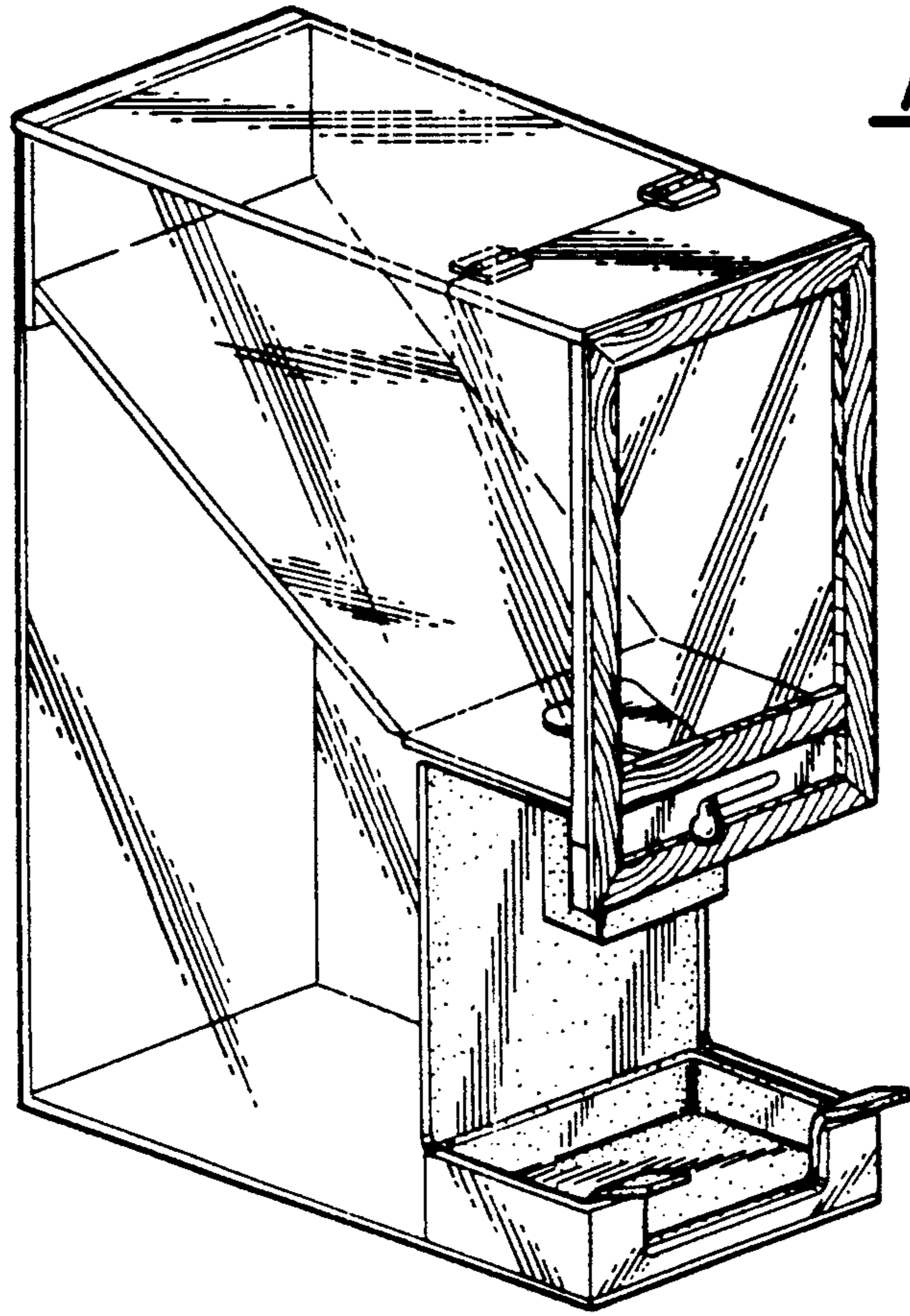


FIG-1

FIG-2

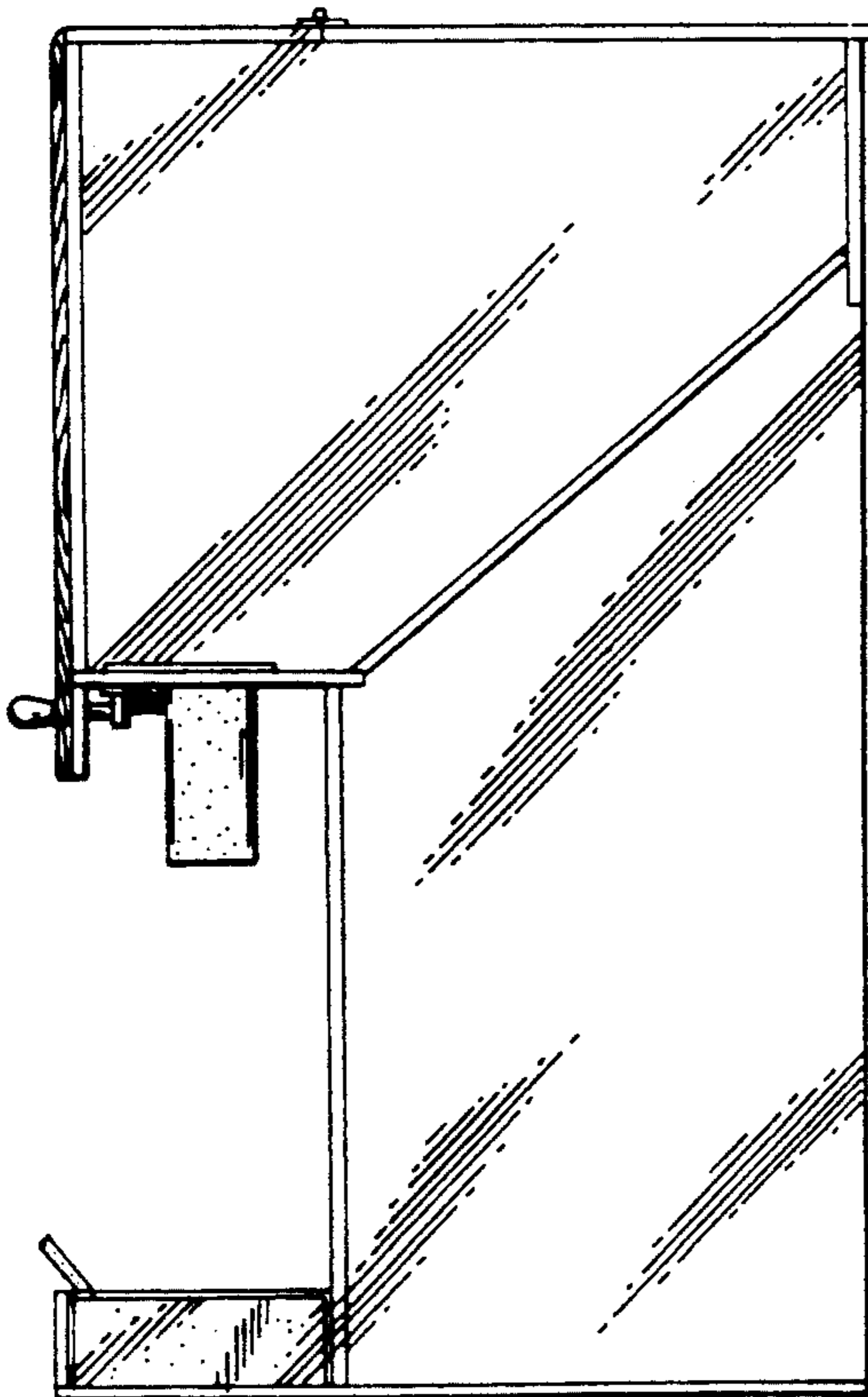
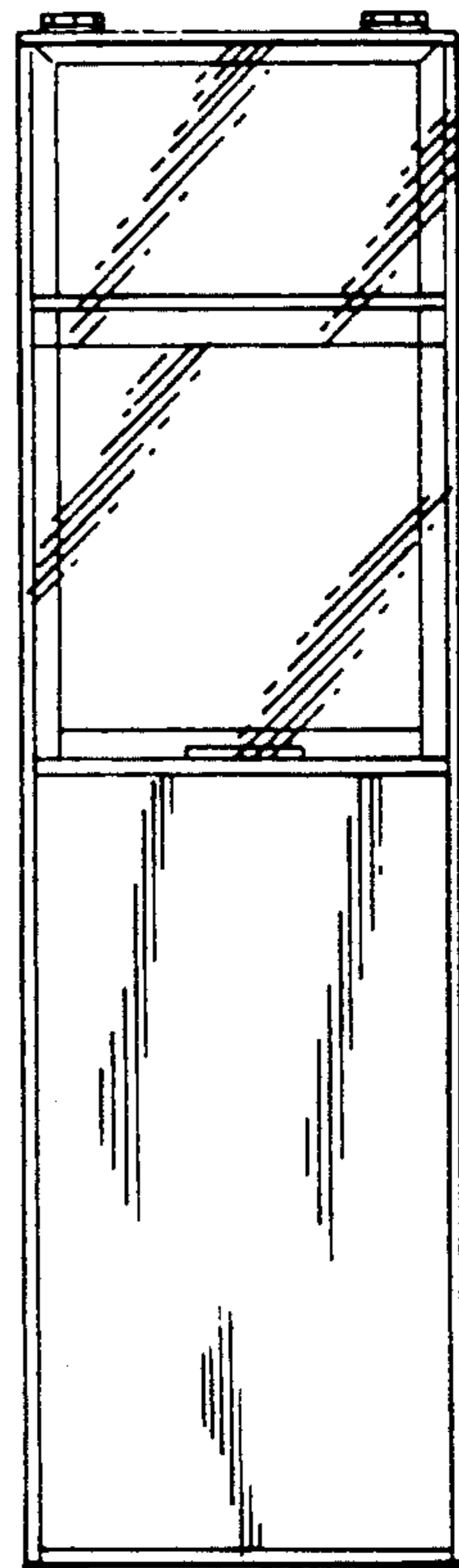


FIG-3



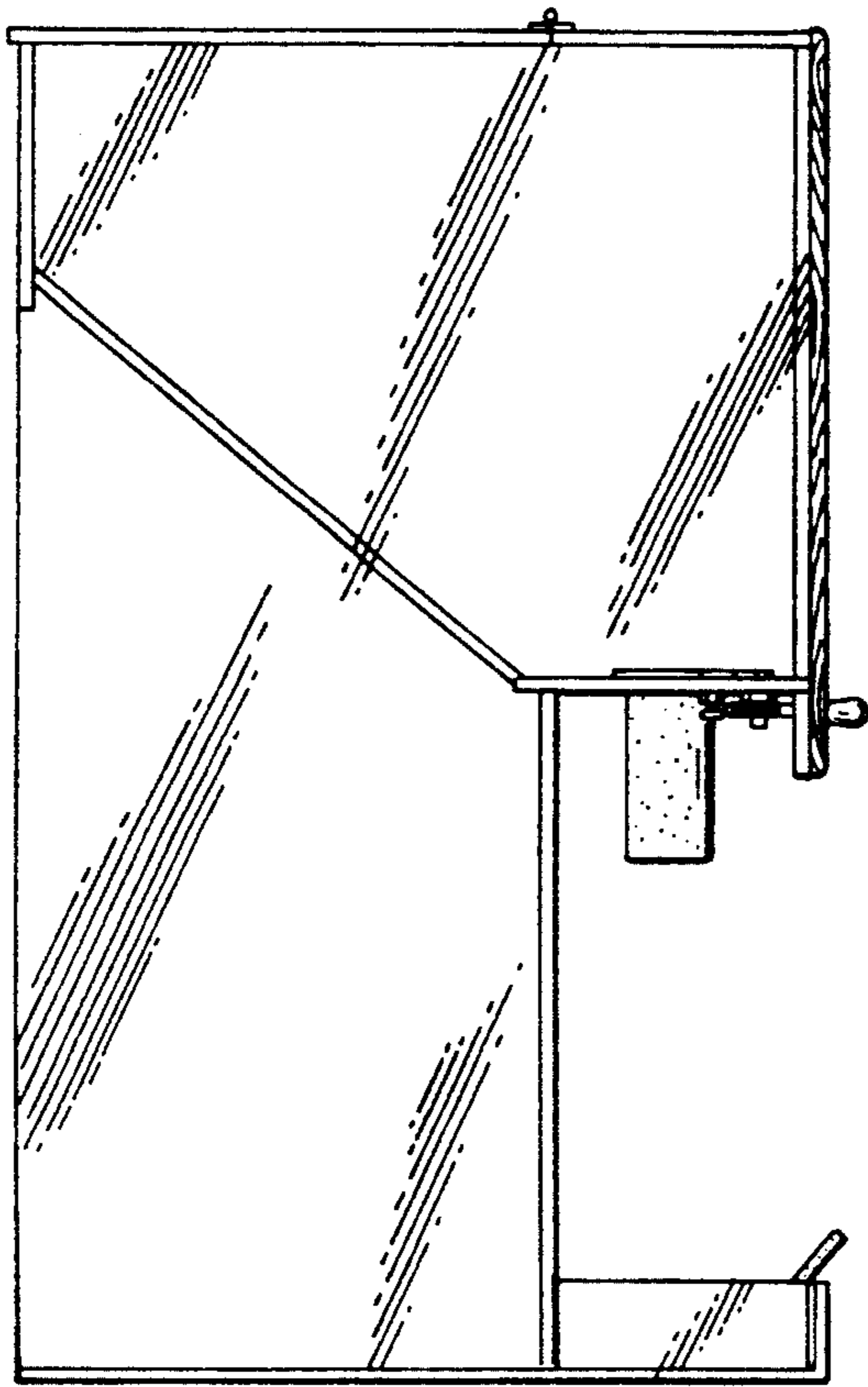


FIG-4

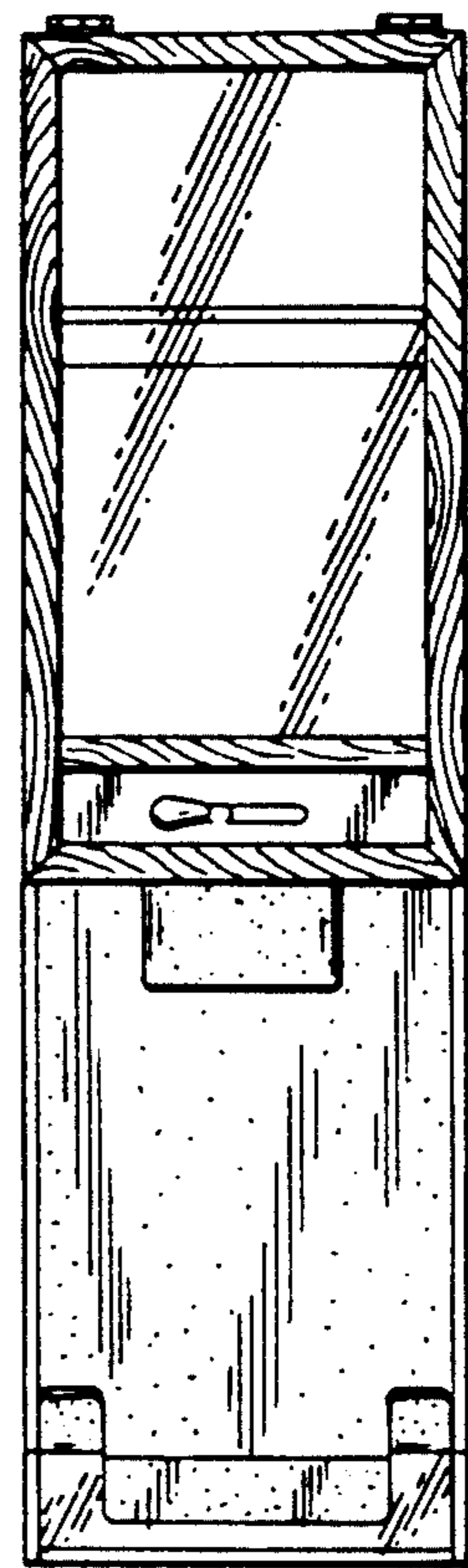


FIG-5

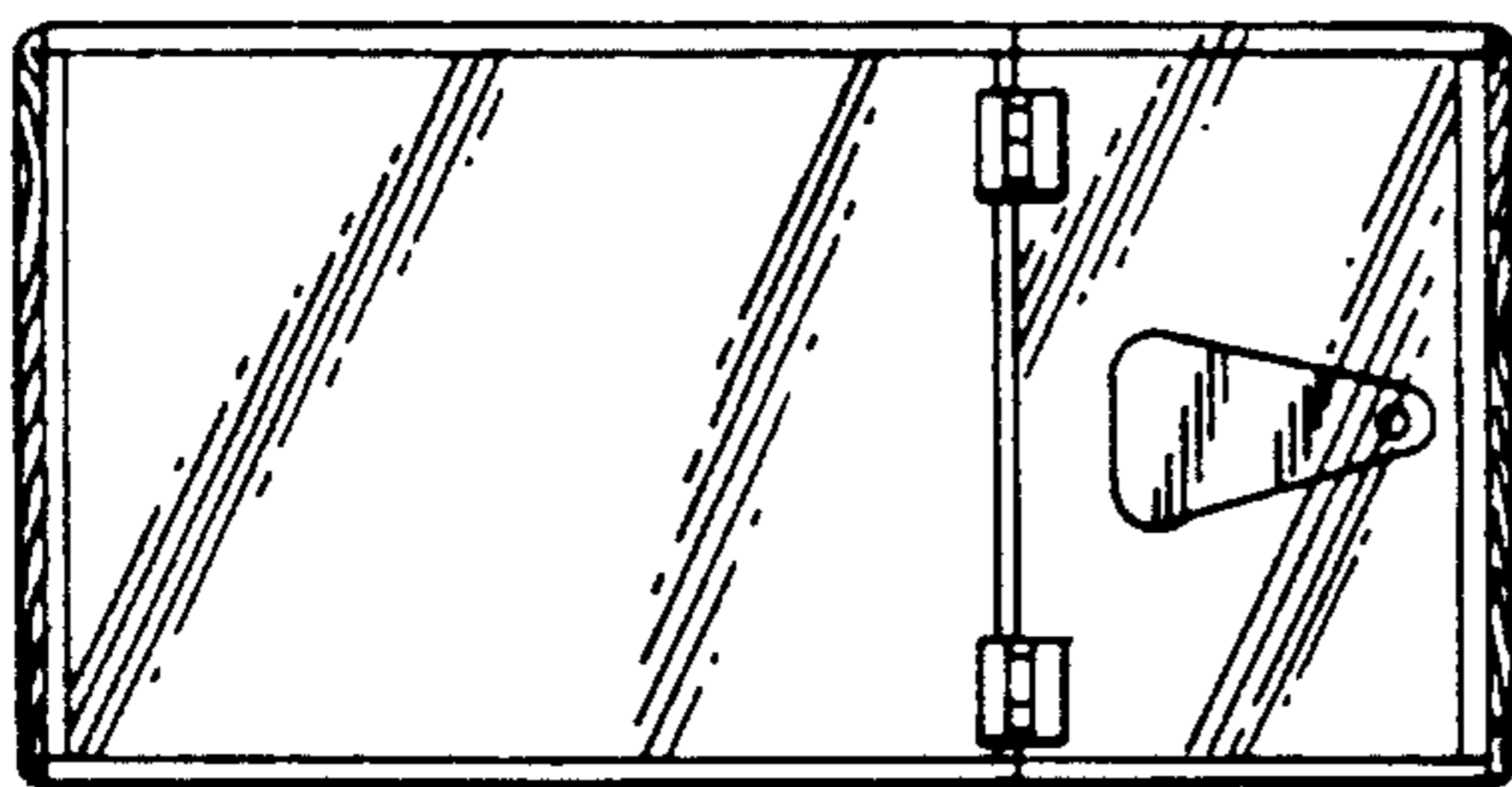


FIG-6

FIG-7

