



US00D345083S

United States Patent [19]

[11] Patent Number: **Des. 345,083**

Rosenfield

[45] Date of Patent: **** Mar. 15, 1994**

- [54] **TRAY FOR FOOD AND BEVERAGE**
- [76] Inventor: **Leonard Rosenfield**, 59 Brewster Rd.,
West Hartford, Conn. 06117
- [**] Term: **14 Years**
- [21] Appl. No.: **895,861**
- [22] Filed: **Jun. 9, 1992**
- [52] U.S. Cl. **D7/553; D7/550;**
D7/555
- [58] **Field of Search** **D7/550, 551, 552, 553,**
D7/554, 555, 557, 543, 507, 500, 545; D9/337,
502, 424, 425, 427, 429, 430, 431, 432; 220/374,
375, 608, 671, 675; 206/557, 561, 564; 108/25;
211/74

- D. 320,909 10/1991 Szablak et al. **D7/500 X**
- D. 335,797 5/1993 Degrow **D7/553**
- 2,039,922 5/1936 Neats et al. **D7/554 X**
- 2,885,611 3/1958 Aynesworth **D7/553 X**
- 2,986,438 5/1961 Smathers et al. **D7/554 X**
- 3,162,344 12/1964 Sabol **D7/553 X**
- 3,318,456 5/1967 Lipe **D7/554 X**
- 4,838,444 6/1989 Bitel **D7/554 X**
- 5,070,795 12/1991 Redlin et al. **108/25 X**
- 5,106,297 4/1992 Discko, Jr. **206/564 X**

Primary Examiner—Nelson C. Holtje
Assistant Examiner—M. N. Pandozzi
Attorney, Agent, or Firm—McCormick, Paulding &
 Huber

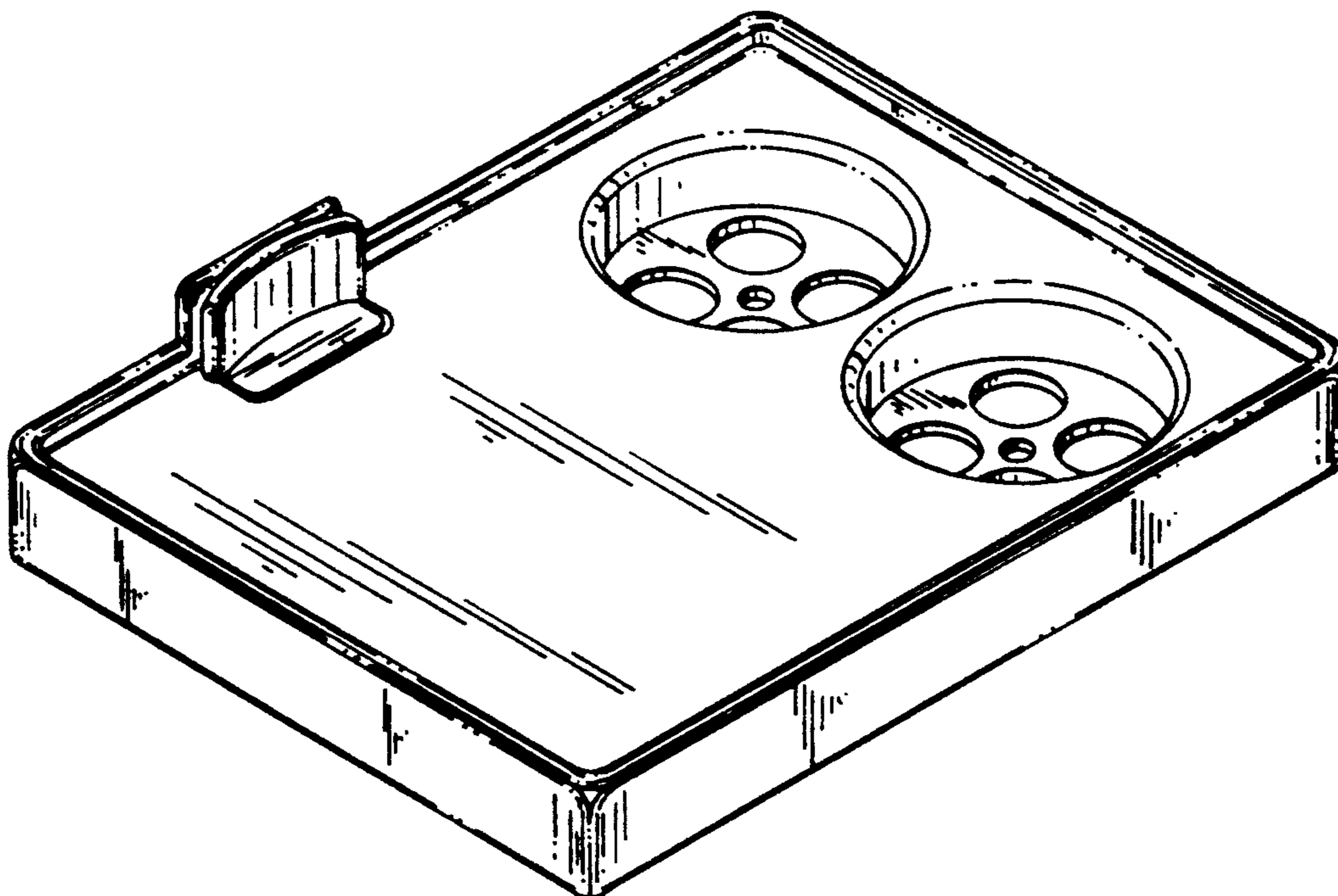
[57] CLAIM

The ornamental design for a tray for food and beverage,
 as shown and described.

DESCRIPTION

FIG. 1 is a top perspective view of a tray for food and
 beverage showing my new design;
 FIG. 2 is a top plan view thereof;
 FIG. 3 is a front elevational view thereof;
 FIG. 4 is an end elevational view thereof, the opposite
 end being a mirror image;
 FIG. 5 is a rear elevational view thereof; and,
 FIG. 6 is a bottom plan view thereof.

- [56] **References Cited**
- U.S. PATENT DOCUMENTS**
- D. 214,075 5/1969 Pregont **D7/553**
- D. 251,536 4/1979 Hansen **D7/557 X**
- D. 252,066 6/1979 Jeambey **D7/557 X**
- D. 268,130 3/1983 Easton **D7/553 X**
- D. 271,932 12/1983 Mosley **D7/553**
- D. 280,669 9/1985 Hammeke **D7/553 X**
- D. 289,247 4/1987 Wang **D7/555**
- D. 300,496 4/1989 Childress **D7/554**



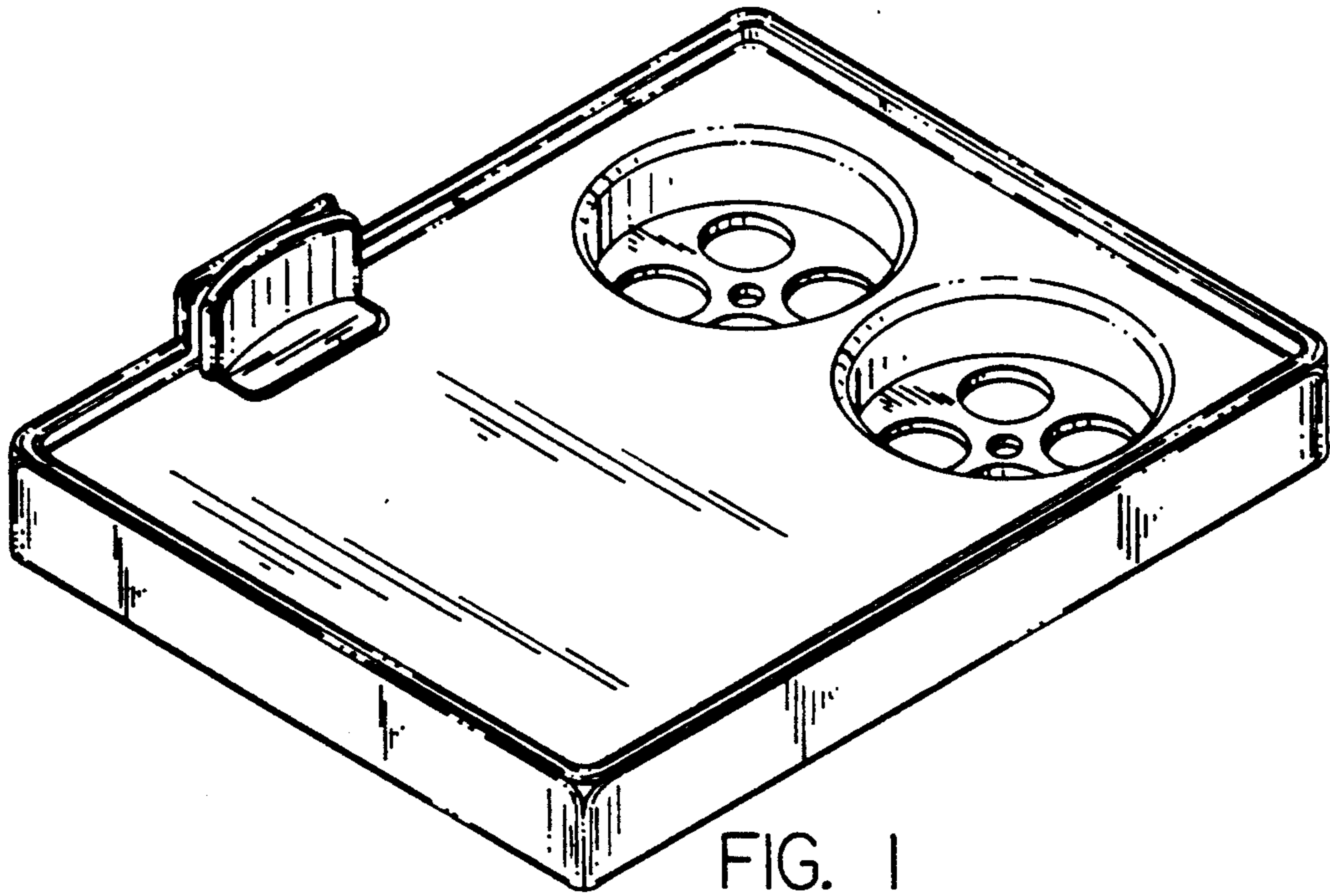


FIG. 1

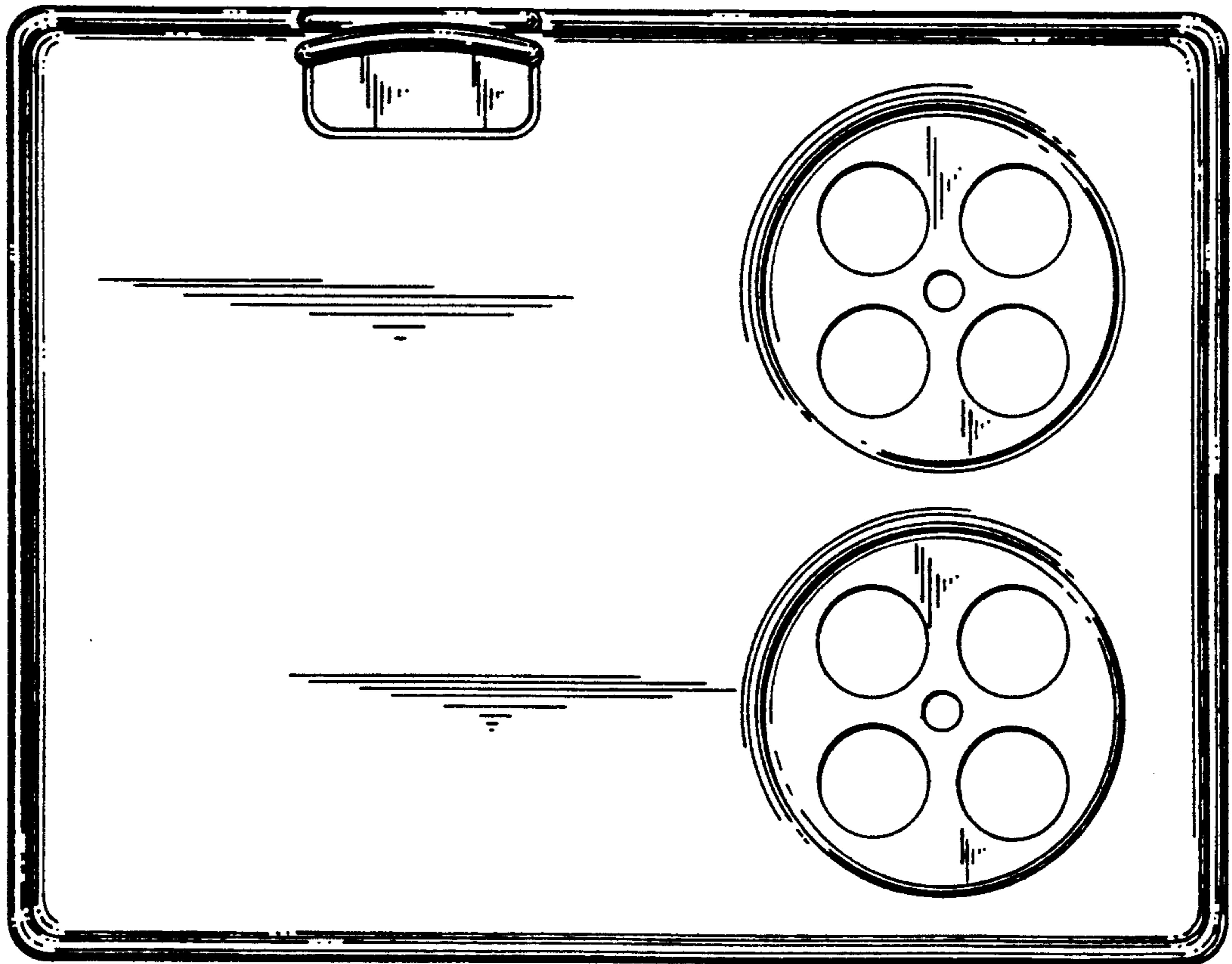


FIG. 2

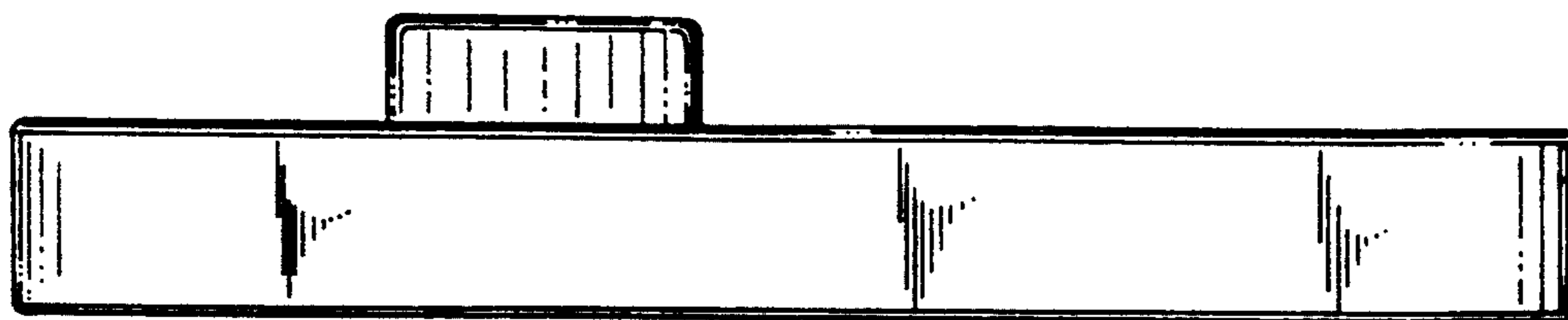


FIG. 3

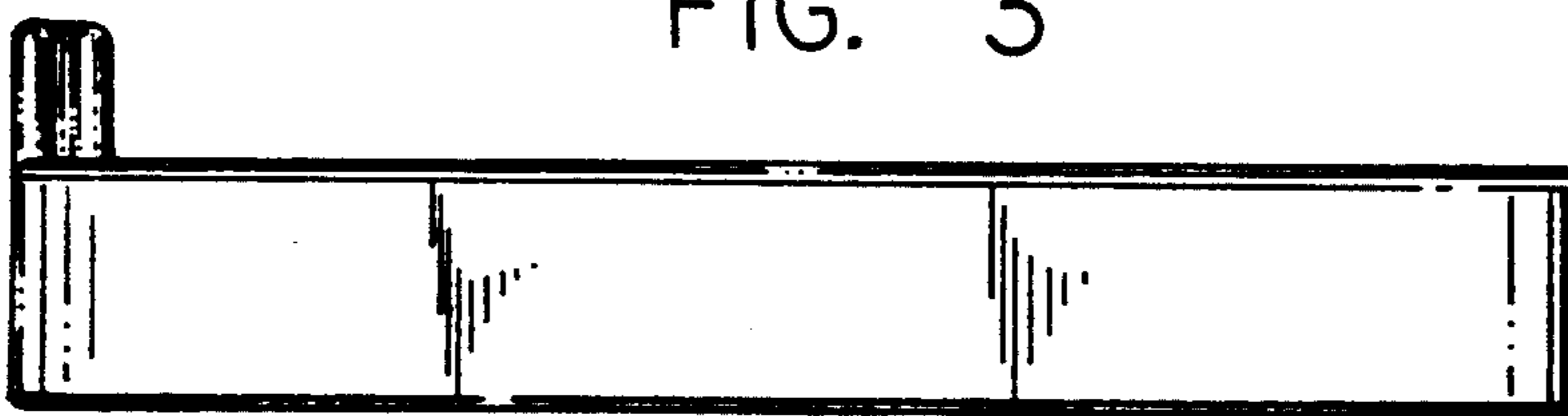


FIG. 4

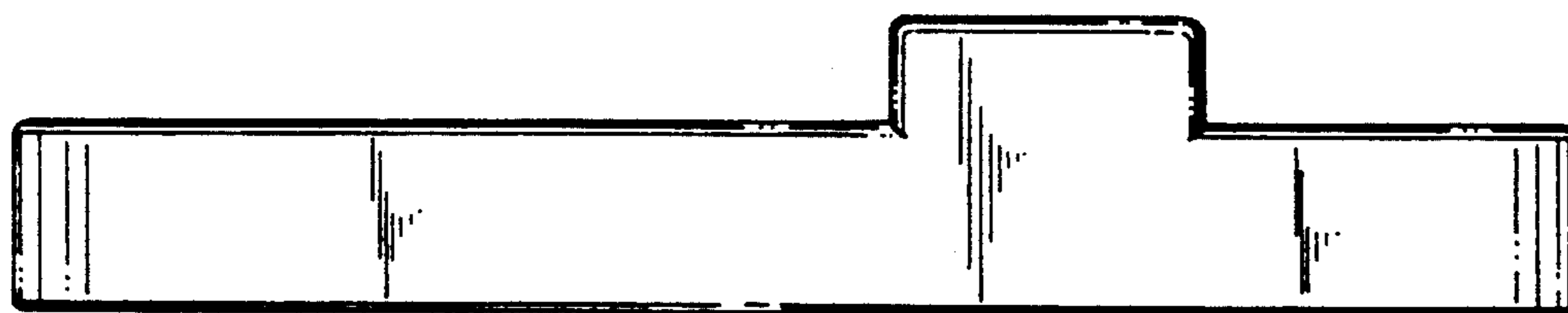


FIG. 5

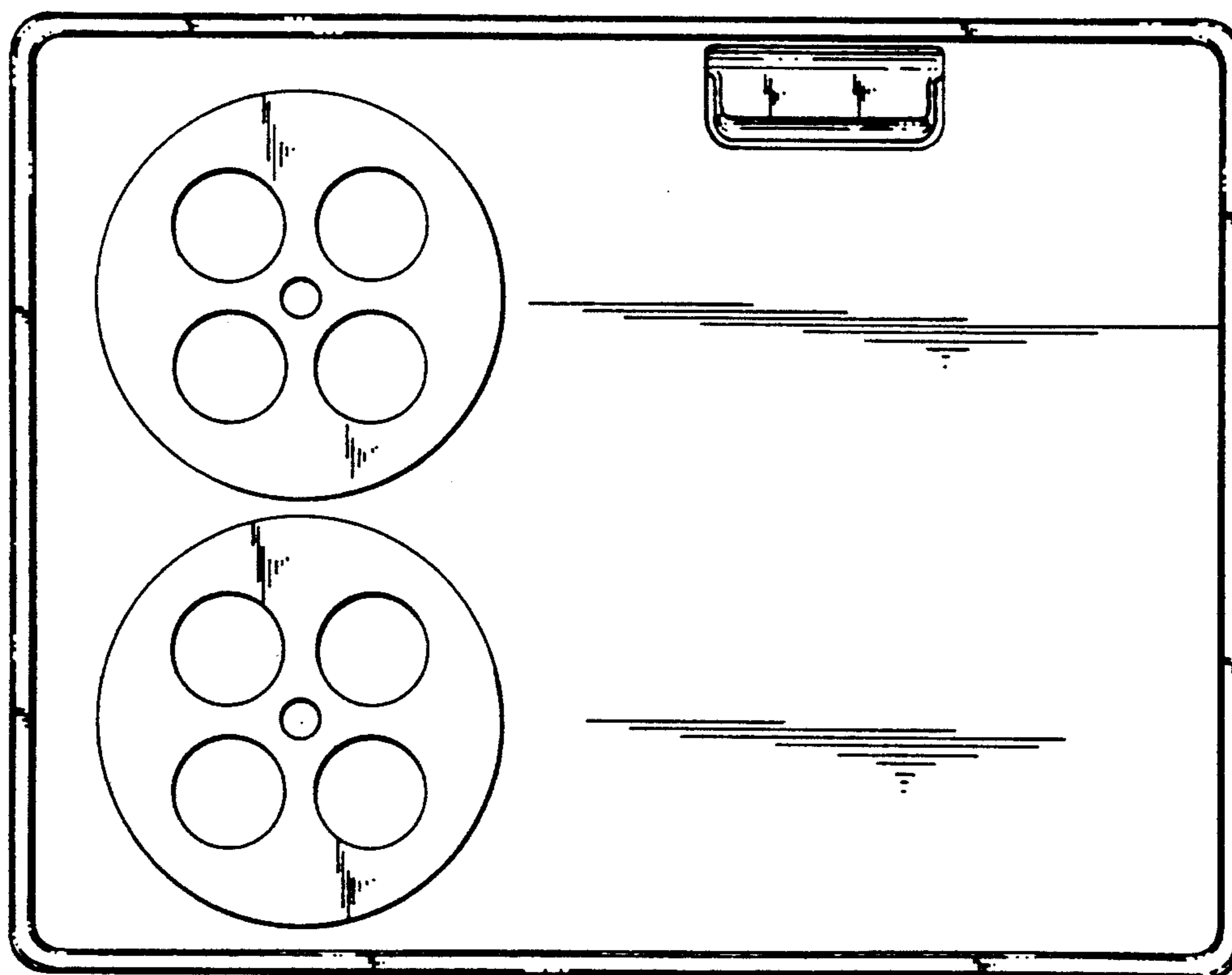


FIG. 6