



US00D345080S

# United States Patent [19] Piret

[11] Patent Number: **Des. 345,080**  
[45] Date of Patent: **\*\* Mar. 15, 1994**

[54] **BASE FOR AN ELECTRICALLY-DRIVEN  
ROTARY KITCHEN APPLIANCE**

D. 302,228 7/1989 Barrault ..... D7/378 X

[75] Inventor: **Philippe Piret, Ifs, France**

[73] Assignee: **Moulinex (Societe Anonyme),  
Bagnolet, France**

[\*\*] Term: **14 Years**

[21] Appl. No.: **926,407**

[22] Filed: **Aug. 10, 1992**

[30] **Foreign Application Priority Data**

Feb. 17, 1992 [FR] France ..... 920955

[52] U.S. Cl. .... **D7/386; D7/376;  
D7/378; D7/384**

[58] Field of Search ..... **D7/376-379,  
D7/386, 412, 413, 415, 384; 241/37.5, 101.1,  
199.12, 282.1, 282.2, 92, 93; 366/129, 130, 197,  
199, 204, 205, 314**

[56] **References Cited**

**U.S. PATENT DOCUMENTS**

D. 254,950 5/1980 Besford ..... D7/379 X

**OTHER PUBLICATIONS**

Best Catalog; 1985/86; p. 210; #3 LaMachine II top of page.

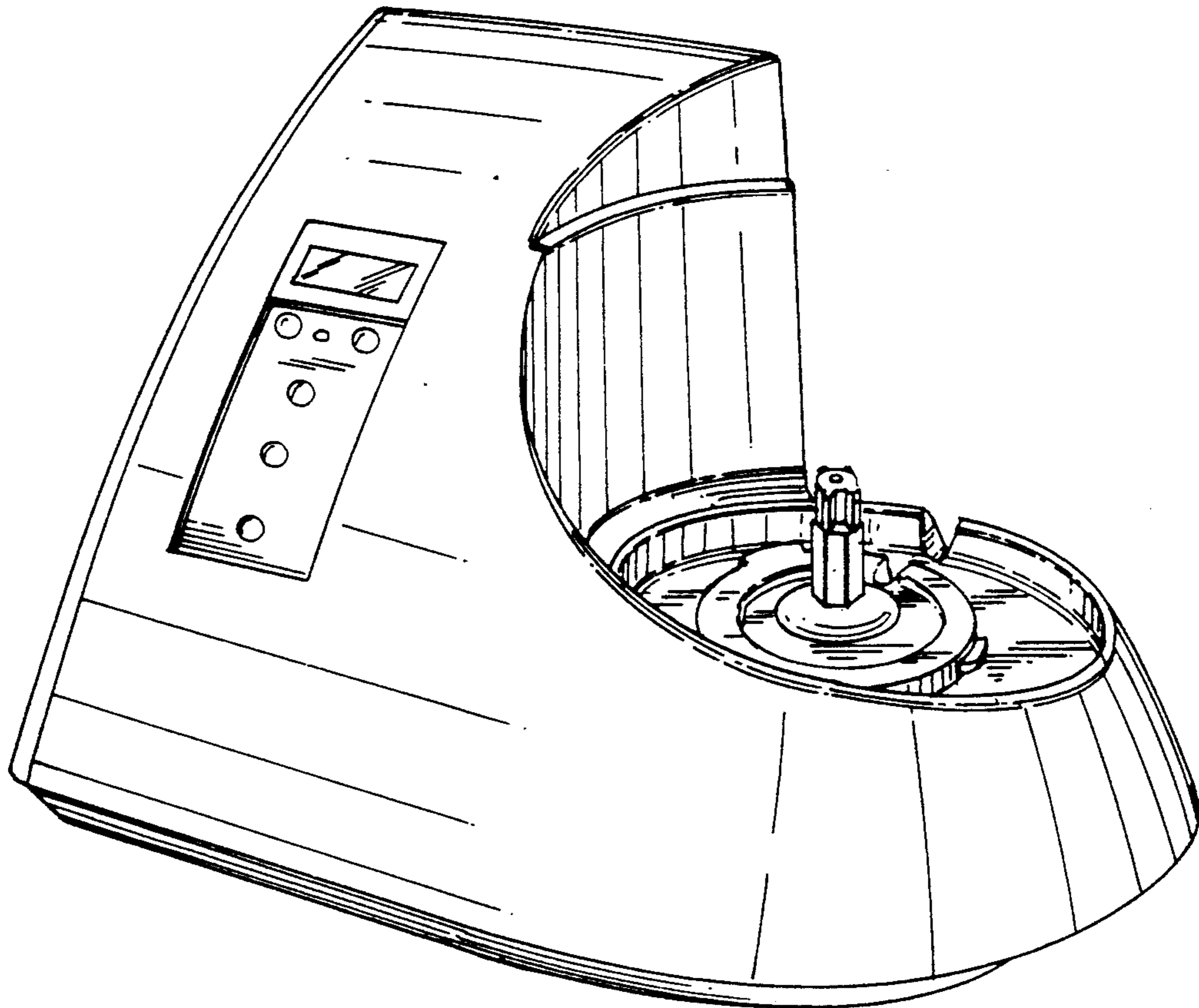
*Primary Examiner*—Alan P. Douglas  
*Assistant Examiner*—Caron D. Veynar  
*Attorney, Agent, or Firm*—Young & Thompson

[57] **CLAIM**

The ornamental design for a base for an electrically-driven rotary kitchen appliance, as shown.

**DESCRIPTION**

FIG. 1 is a front, top and side perspective view of a base for an electrically-driven rotary kitchen appliance, showing my new design;  
FIG. 2 is a front elevational view thereof;  
FIG. 3 is a side elevational view thereof from the left of FIG. 2;  
FIG. 4 is a side elevational view thereof from the right of FIG. 2;  
FIG. 5 is a rear elevational view thereof;  
FIG. 6 is a top plan view thereof; and,  
FIG. 7 is a bottom plan view thereof.



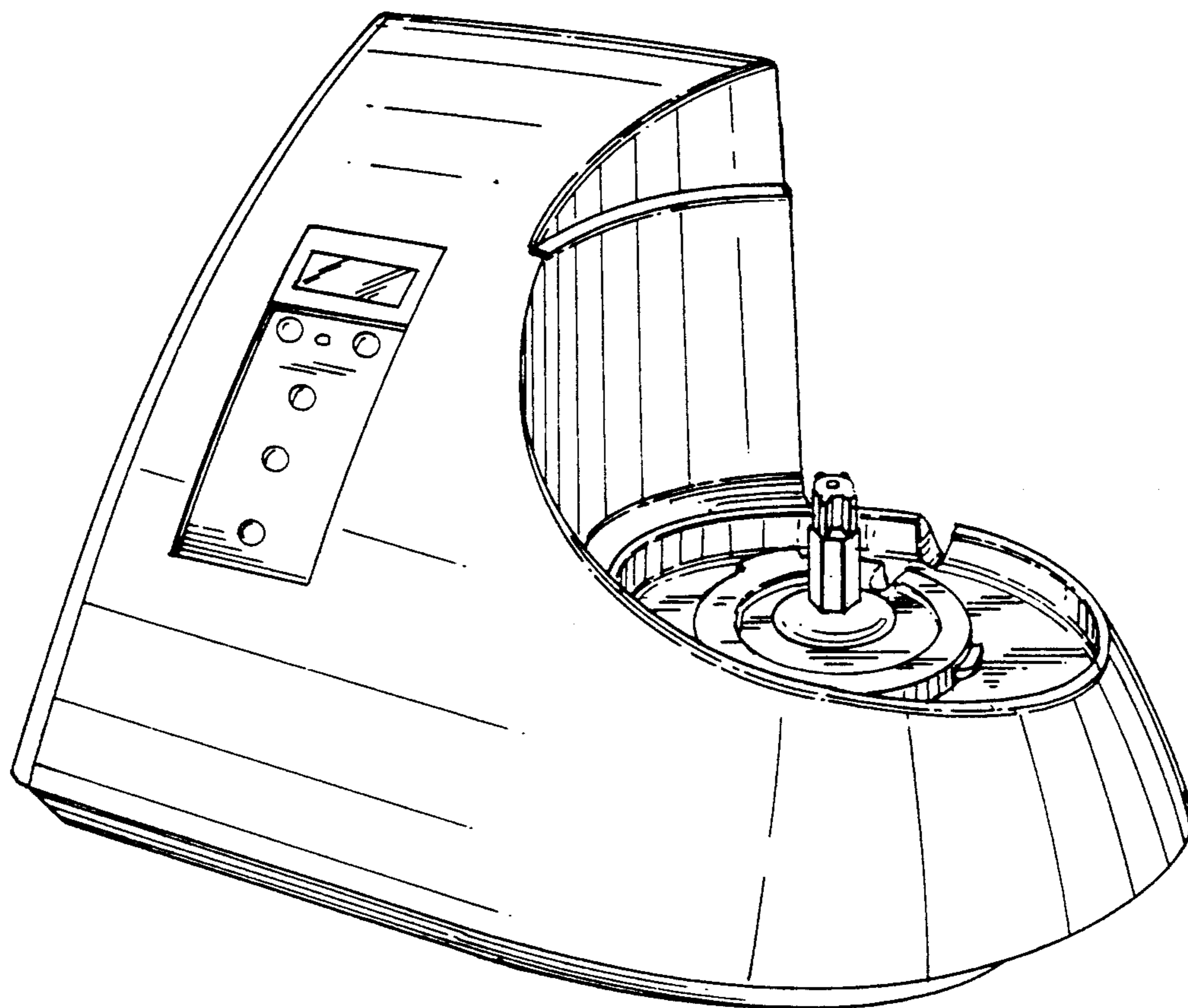


FIG. 1

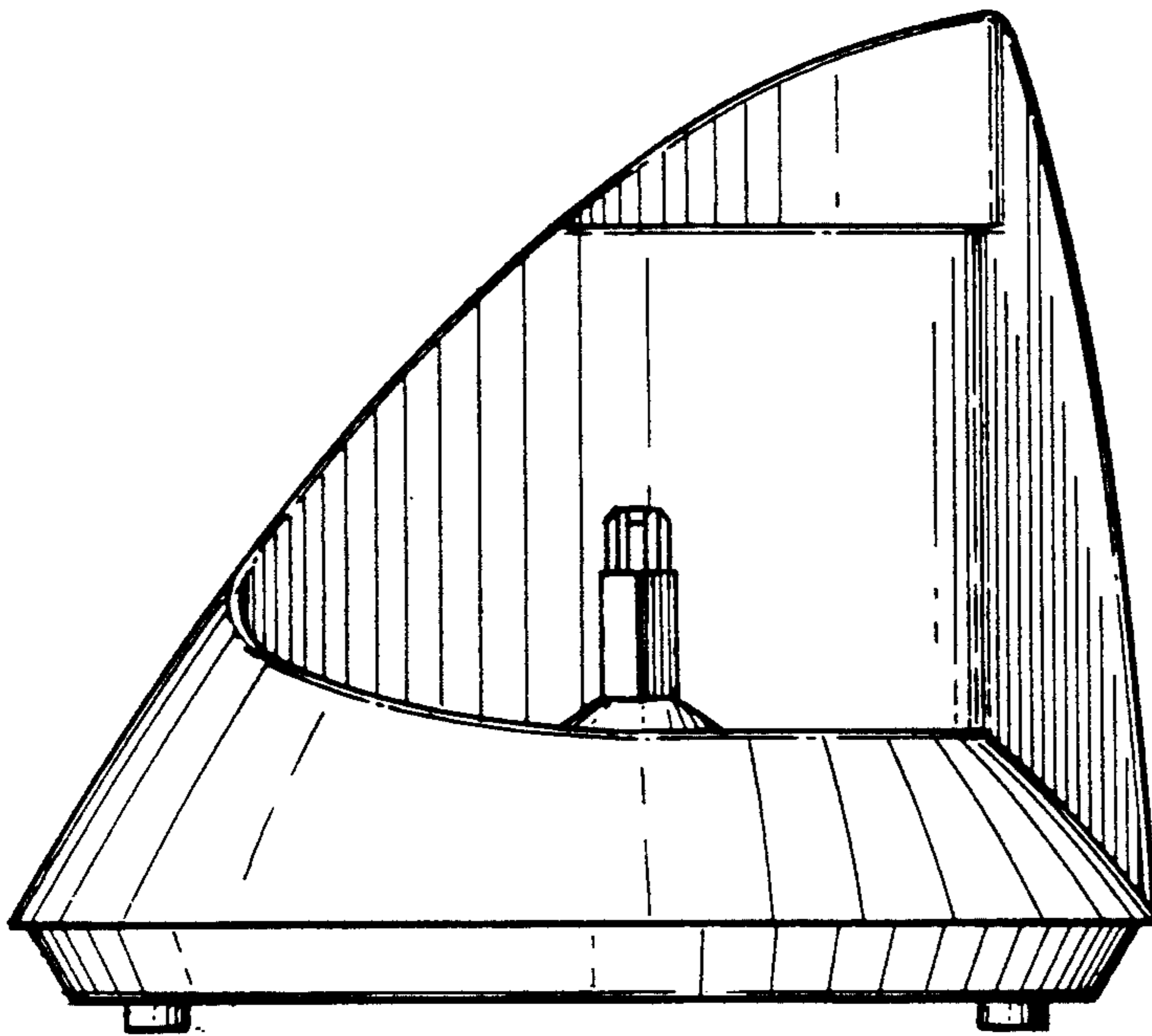
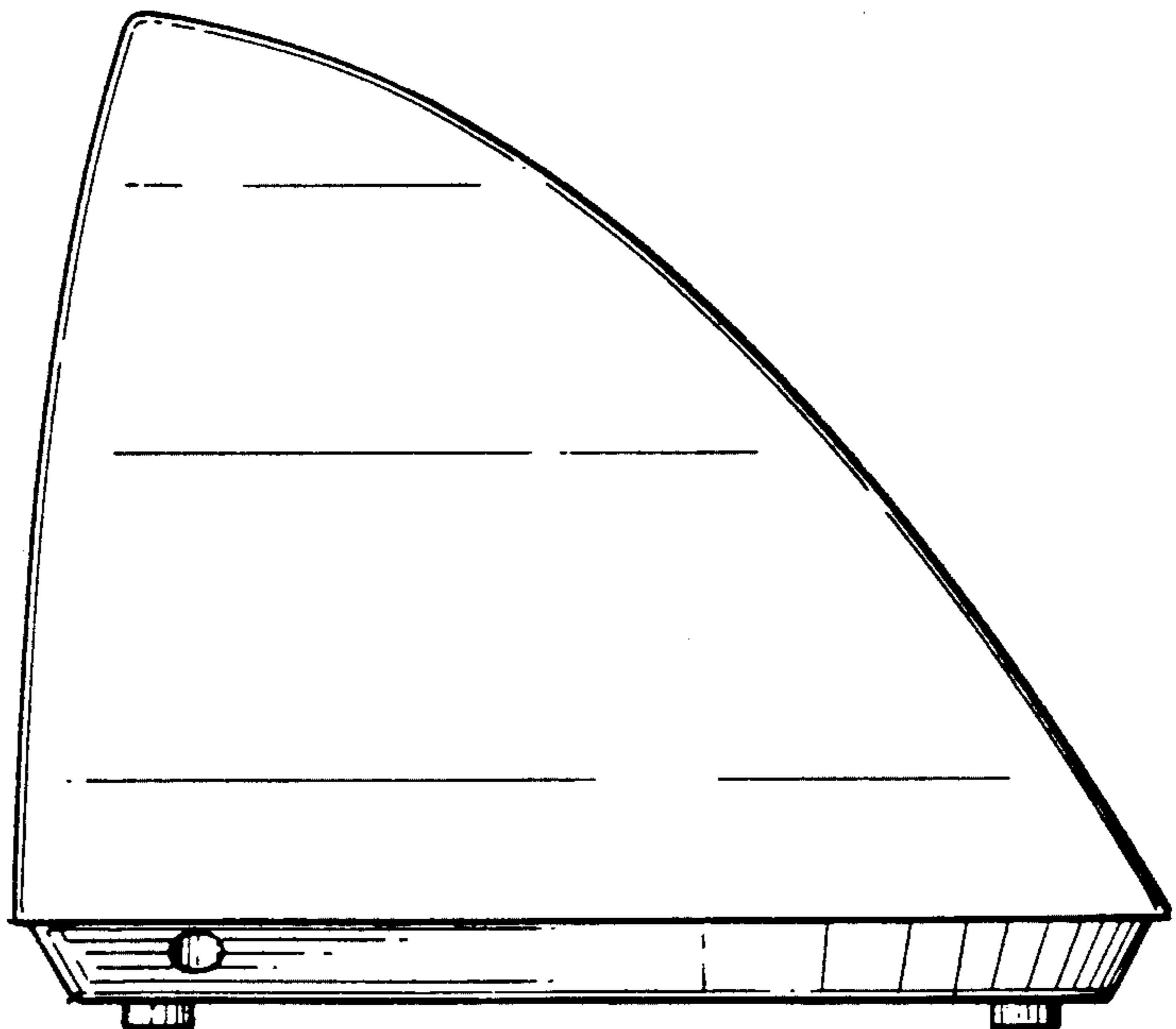


FIG. 2

FIG. 5



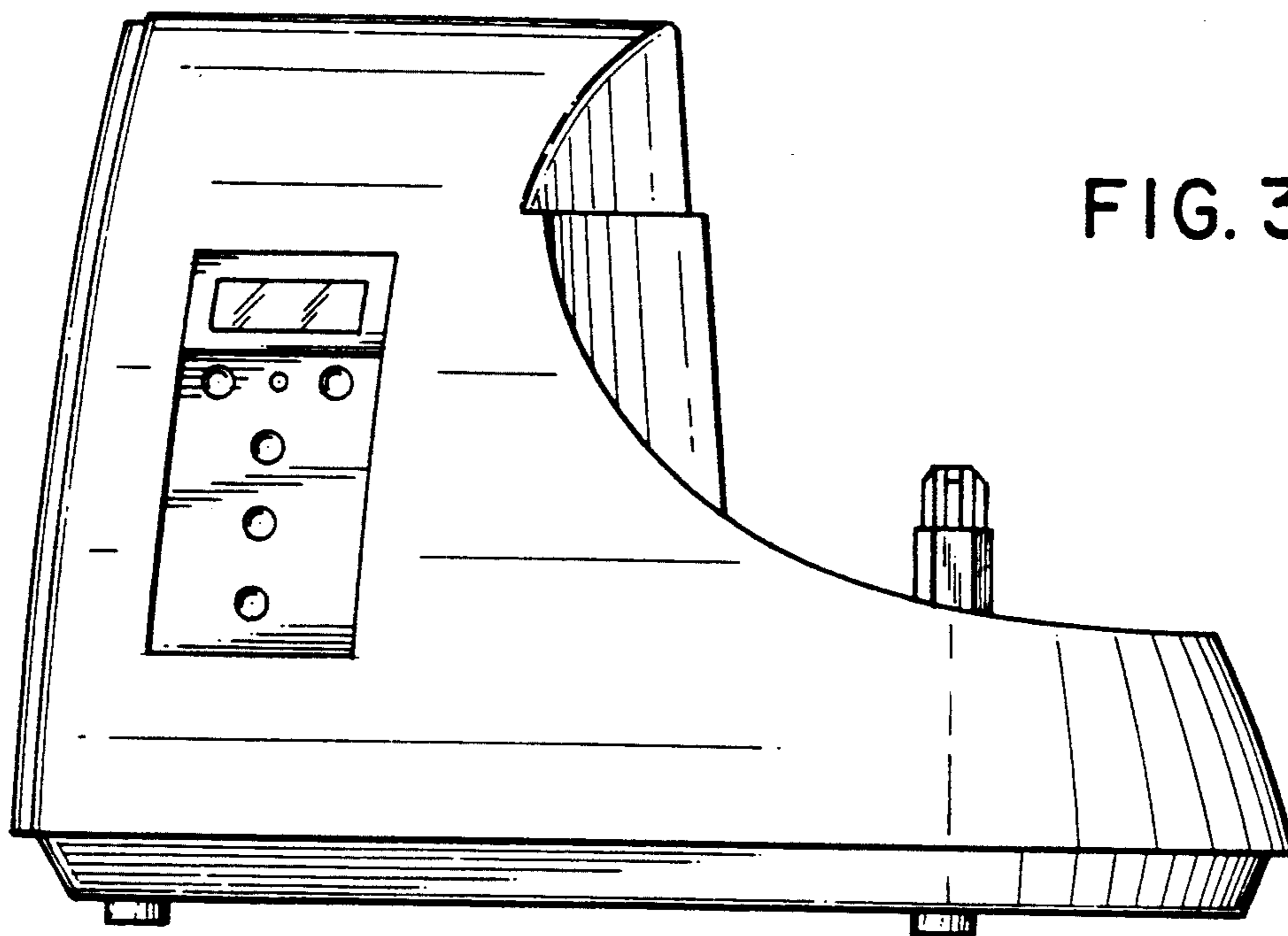


FIG. 3

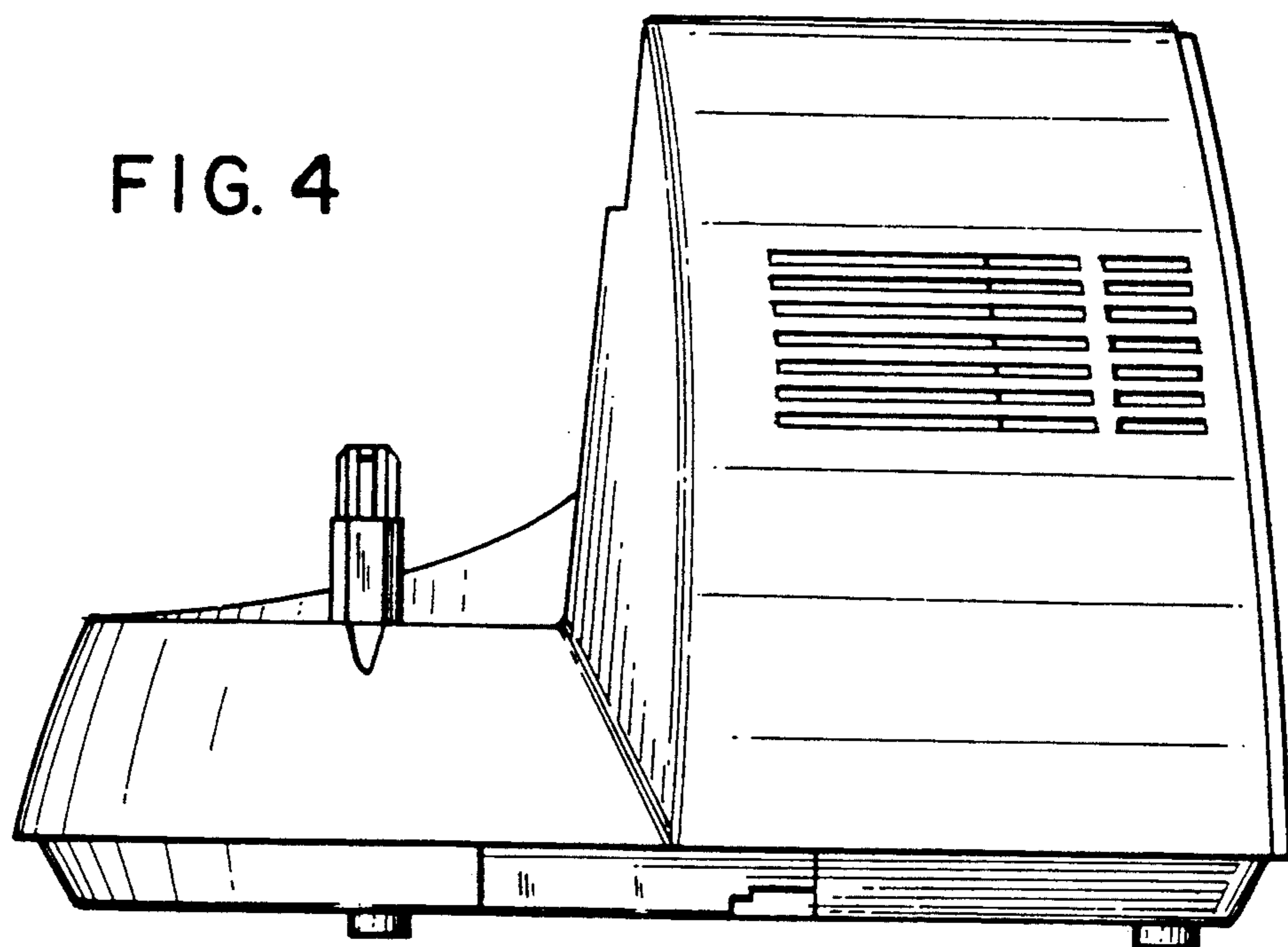


FIG. 4

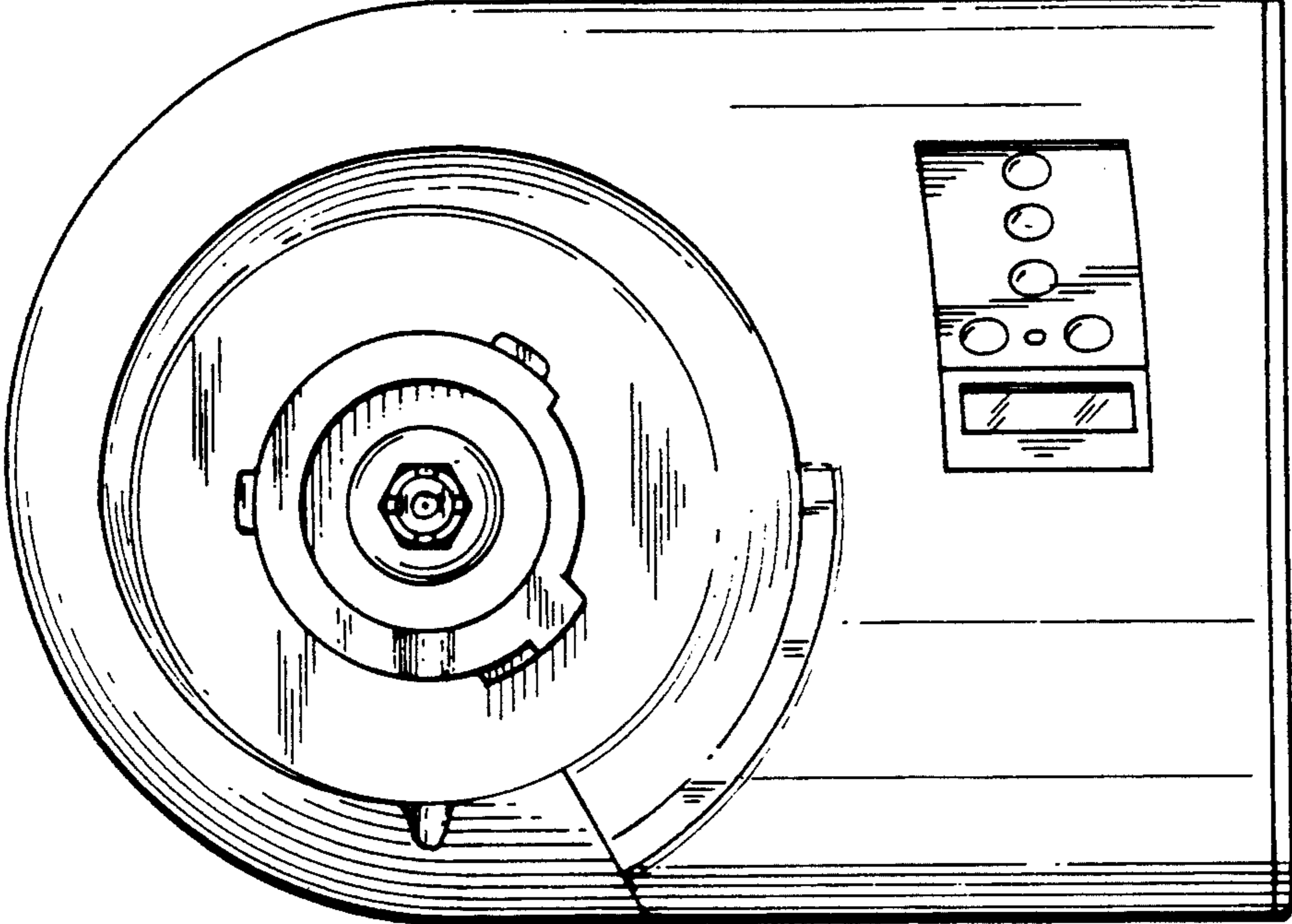


FIG. 6

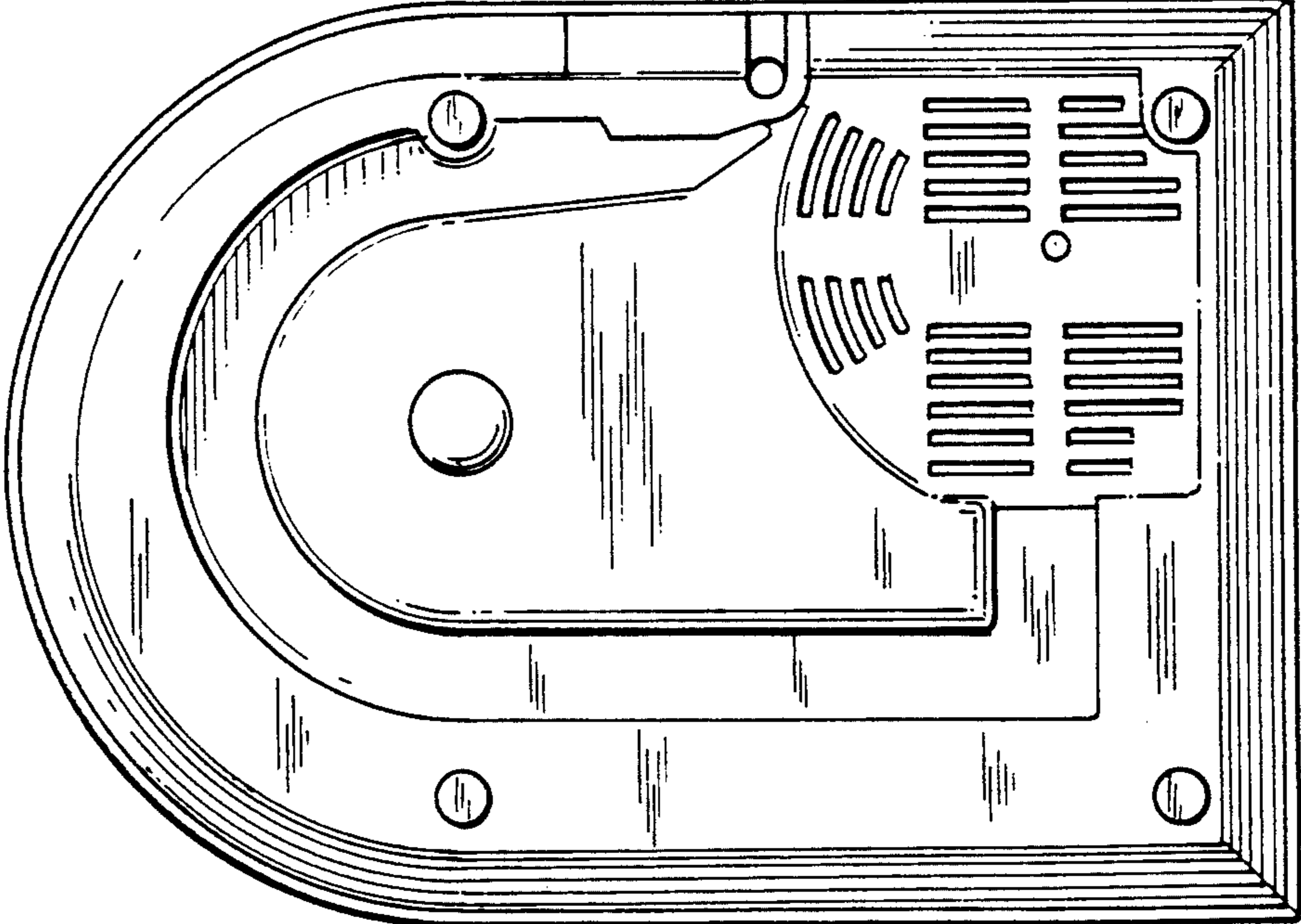


FIG. 7