



US00D345079S

# United States Patent [19] Johnson

[11] Patent Number: **Des. 345,079**

[45] Date of Patent: **\*\* Mar. 15, 1994**

[54] **FOOD PROCESSOR**

[75] Inventor: **Marshall B. Johnson,**  
Mechanicsville, Va.

[73] Assignee: **Hamilton Beach/Proctor-Silex,** Glen  
Allen, Va.

[\*\*] Term: **14 Years**

[21] Appl. No.: **2,735**

[22] Filed: **Dec. 18, 1992**

[52] U.S. Cl. .... **D7/384; D7/376**

[58] Field of Search ..... **D7/376, 383, 384, 386,**  
**D7/412, 413; 241/282.2, 282.1, 92, 93;**  
**366/130, 197, 199, 129, 204, 205, 314**

[56] **References Cited**

**U.S. PATENT DOCUMENTS**

D. 191,153	8/1961	Gresens et al. ....	D7/378 X
D. 256,318	8/1980	Levin .....	D7/384
D. 290,676	7/1987	Stutzer et al. ....	D7/384
D. 293,195	12/1987	Kim .....	D7/384
D. 293,873	1/1988	Maass .....	D7/384
D. 310,153	8/1990	Kaiser .....	D7/412
D. 323,763	2/1992	Barrault .....	D7/376 X

**OTHER PUBLICATIONS**

Photocopy of front and back cover pages and p. 209 of Best General Merchandise Catalog, published 1990 by Best Products Co. Inc.

Photocopy of front and back cover pages and pp. 9-11 of Braun 1990 Household Products Catalog, published 1990 by Braun, Inc.

Photocopy of front and back cover pages and pp. 18

and 19 of Rowenta International Catalog, published in 1986 by Rowenta-Werke GmbH.

Photocopy of front and back cover pages and p. 5 of Hamilton Beach/Proctor-Silex product catalog, published 1992 by Hamilton Beach/Proctor Silex, Inc.

Photocopy of front and back cover pages and p. 11 of Breakthrough '92 1992 New Products catalog, published 1992 by Hamilton Beach/Proctor-Silex, Inc.

Photocopy of front and back cover pages and p. 11 of Hamilton Beach/Proctor-Silex Product Catalog, published 1991 by Hamilton Beach/Proctor-Silex, Inc.

*Primary Examiner*—Alan P. Douglas

*Assistant Examiner*—Caron D. Veynar

*Attorney, Agent, or Firm*—Roger S. Dybvig

[57] **CLAIM**

The ornamental design for a food processor, as shown and described.

**DESCRIPTION**

FIG. 1 is a top, front, and right side perspective view of a food processor showing my new design;

FIG. 2 is a top plan view thereof;

FIG. 3 is a front elevational view thereof;

FIG. 4 is a rear elevational view thereof;

FIG. 5 is a left side elevational view thereof with the right side being a mirror image of the left side; and,

FIG. 6 is a bottom plan view thereof.

The broken line showing of the air vents in FIG. 6 is for illustrative purposes only and forms no part of the claimed design.

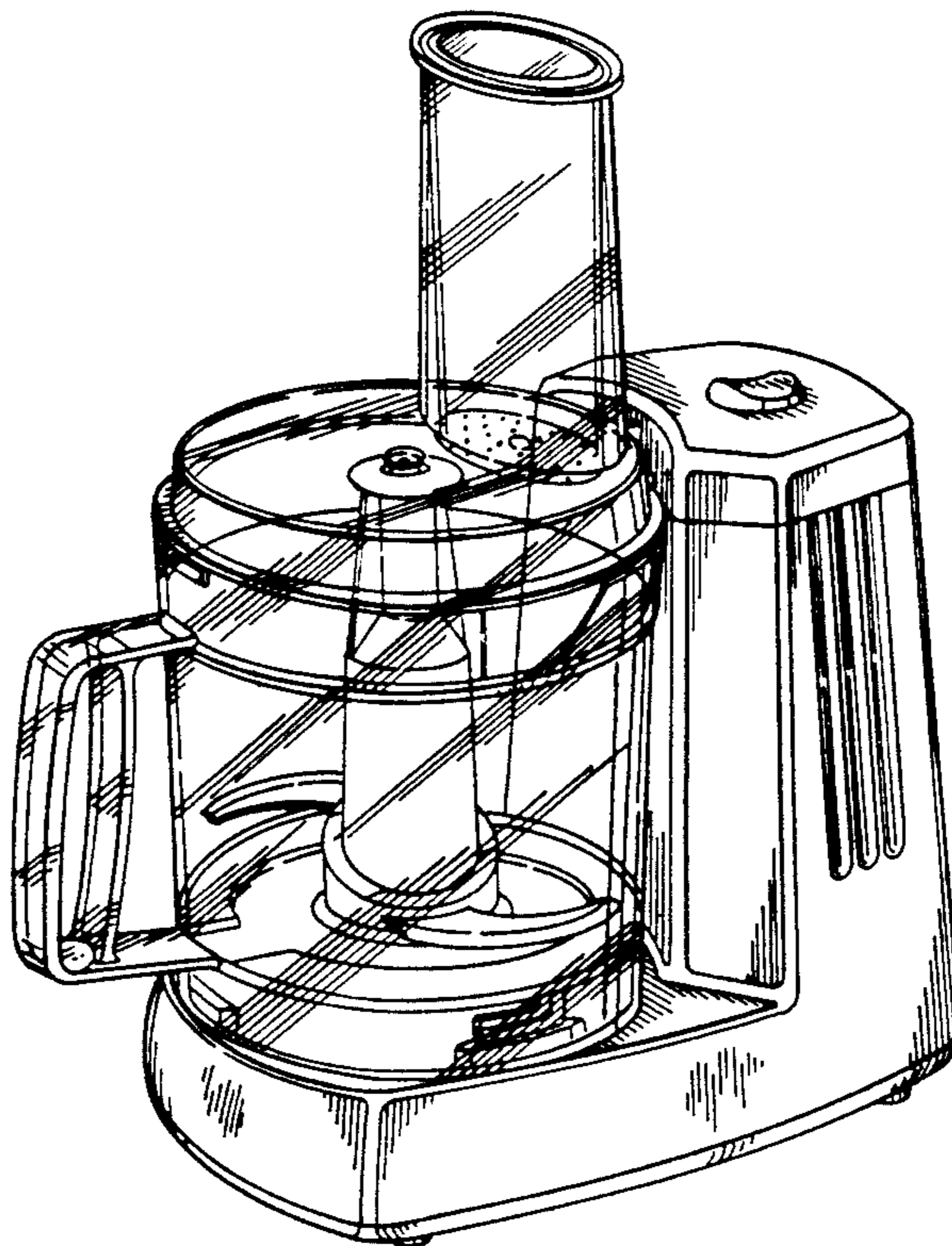


FIG-1

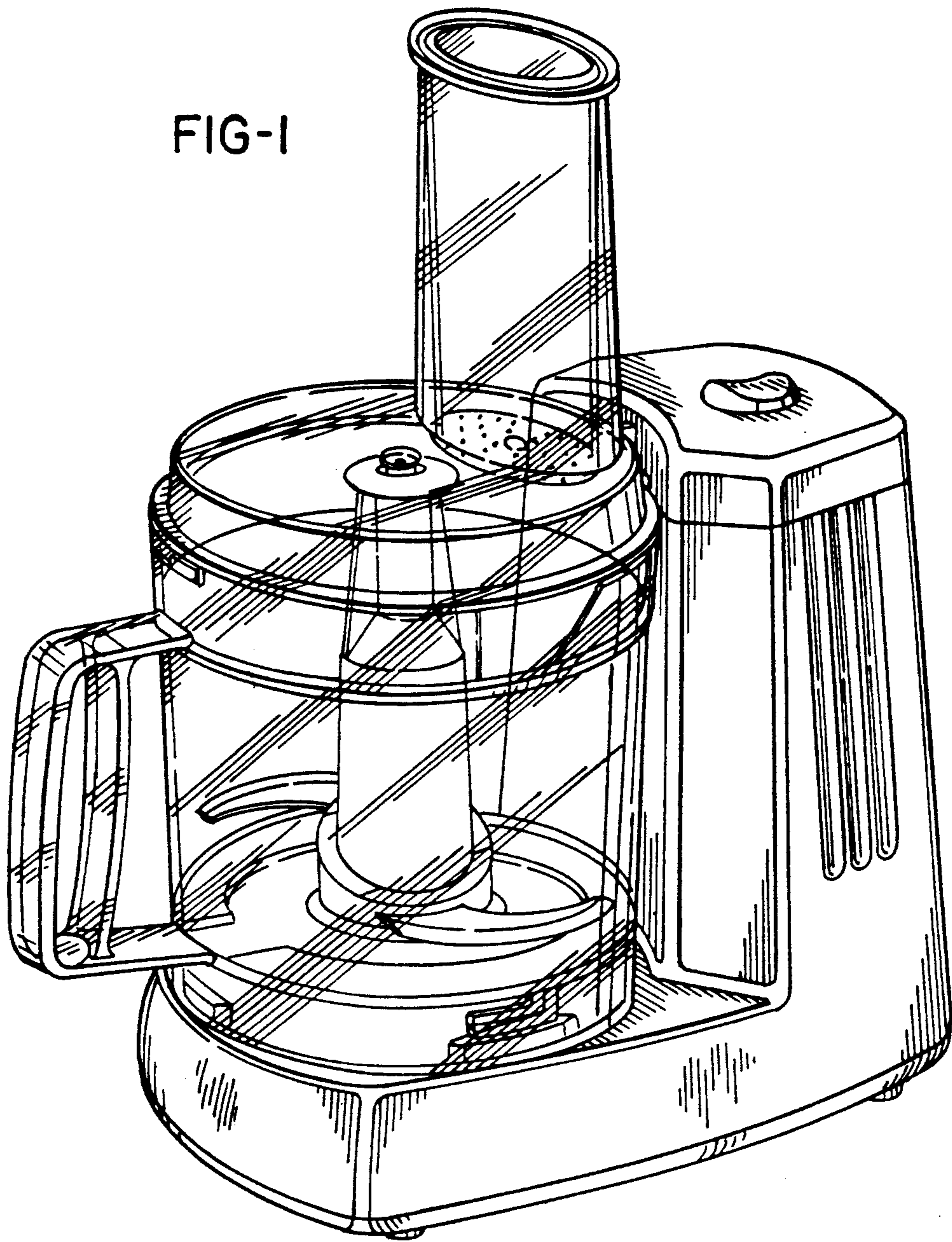
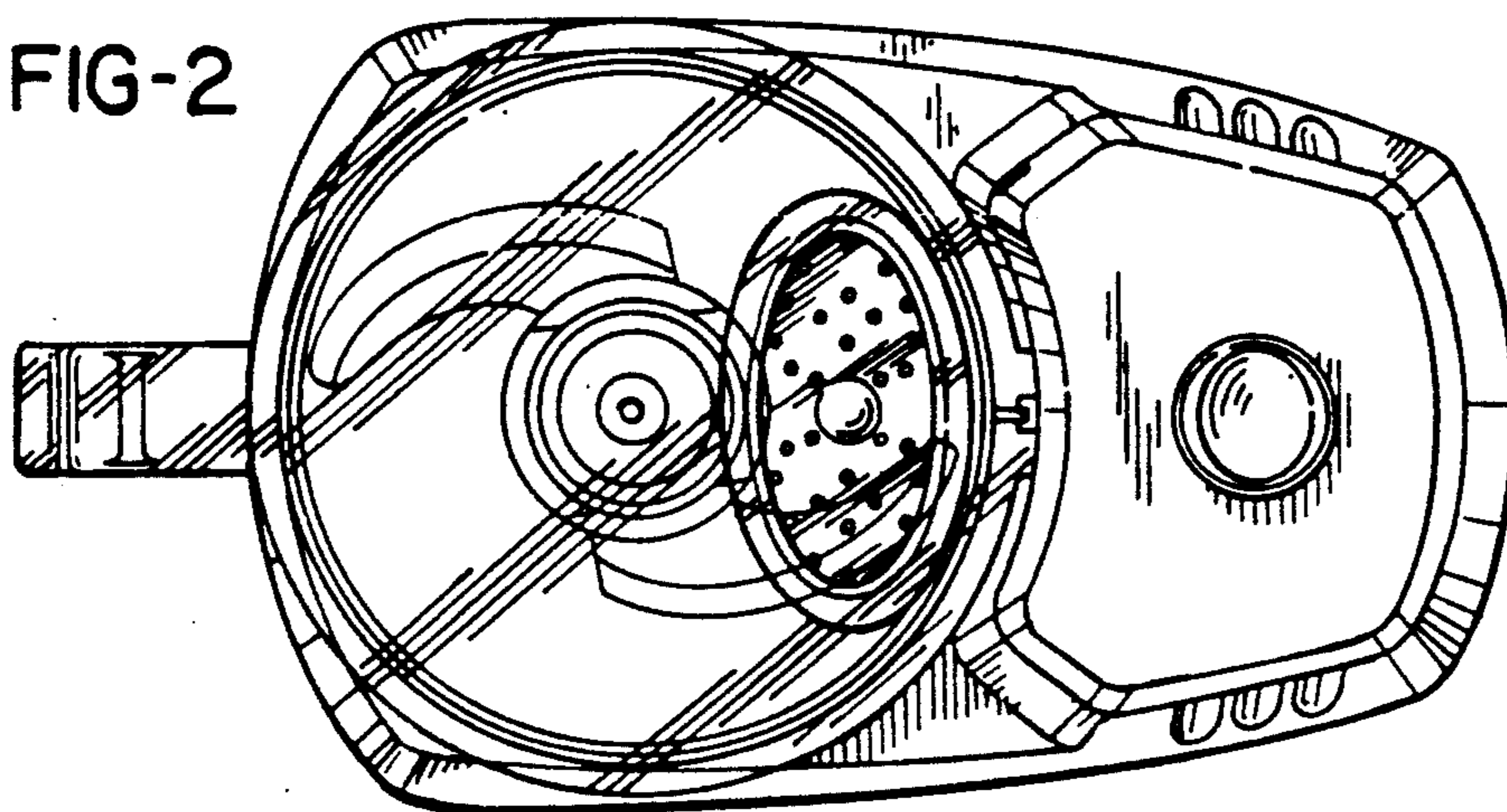


FIG-2





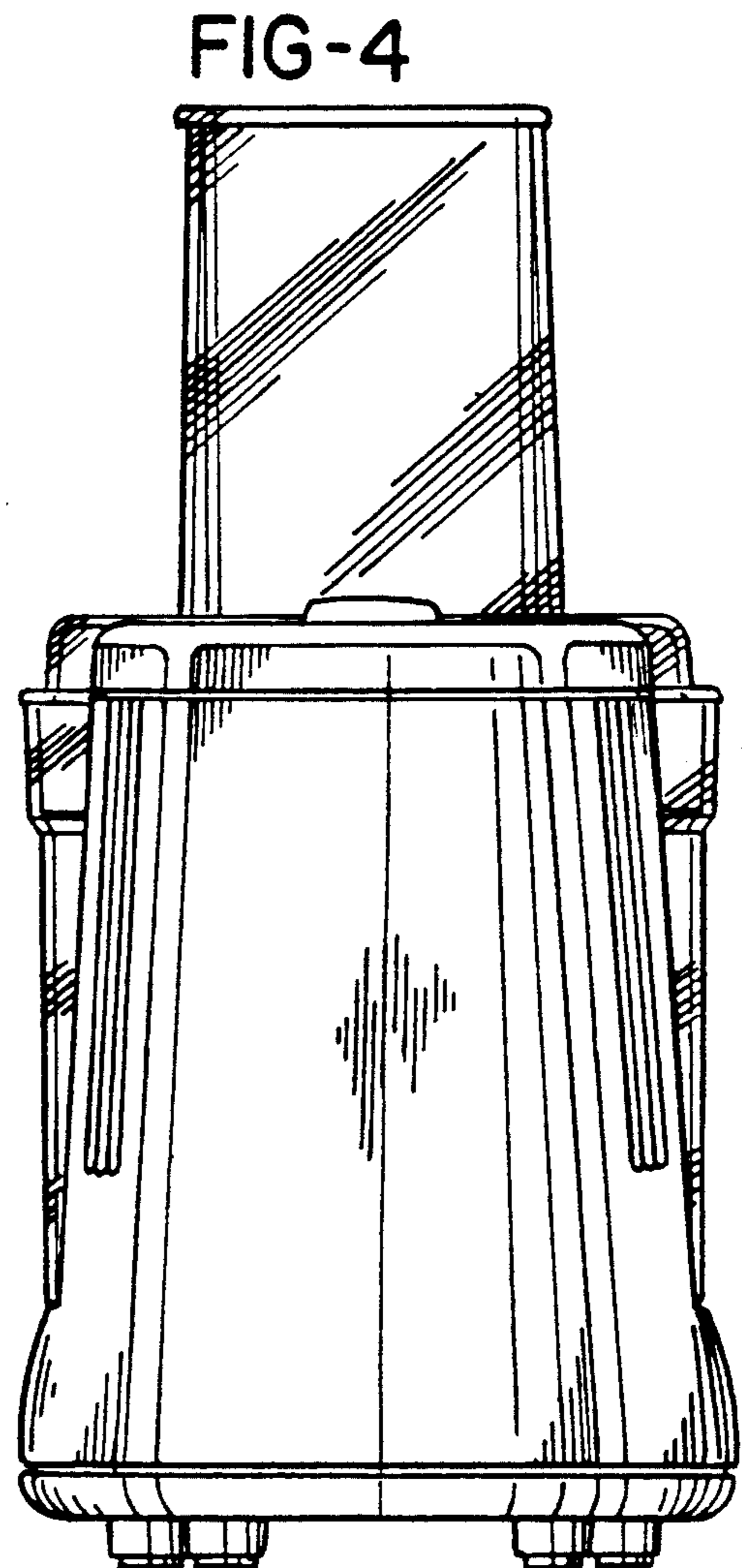
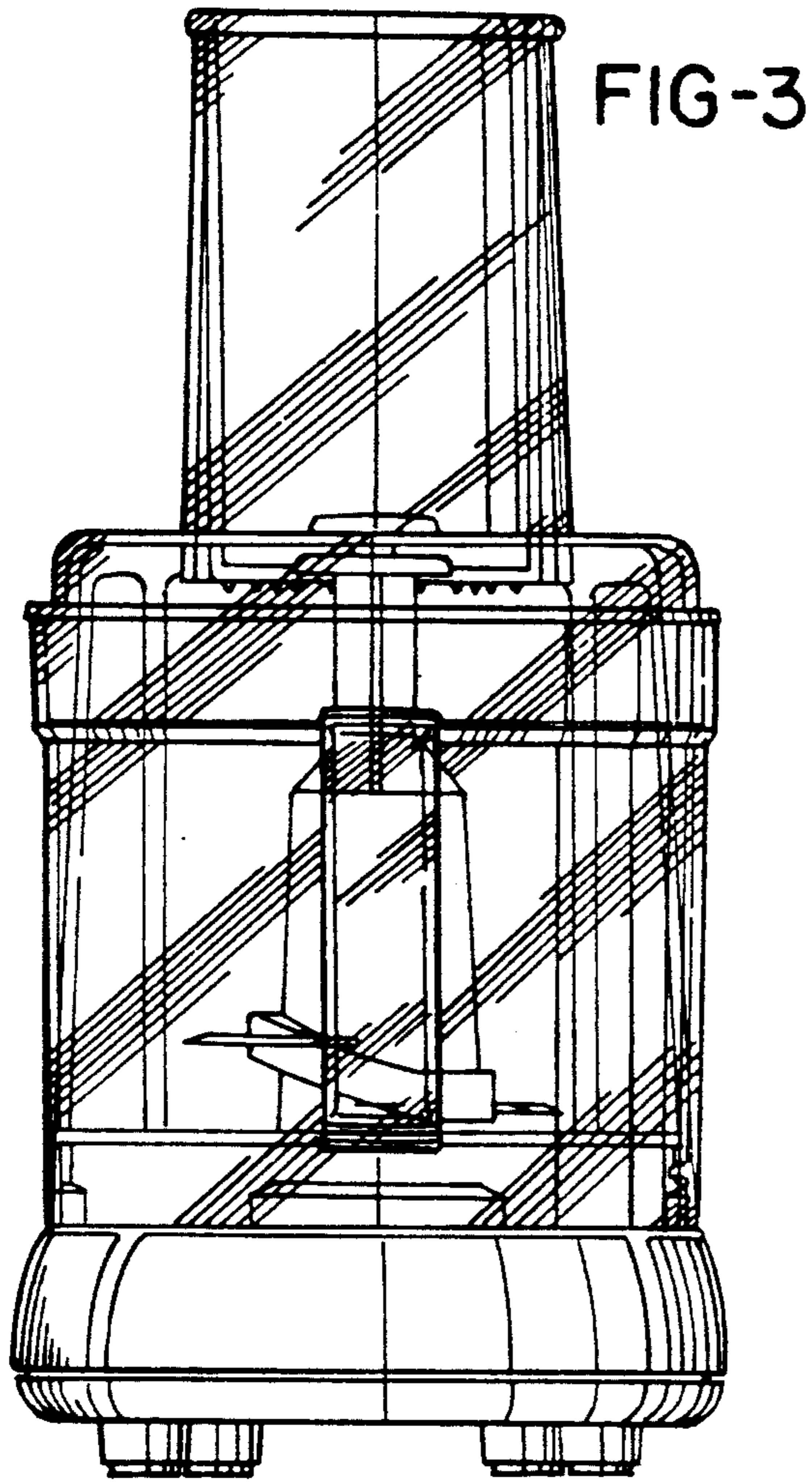


FIG-5

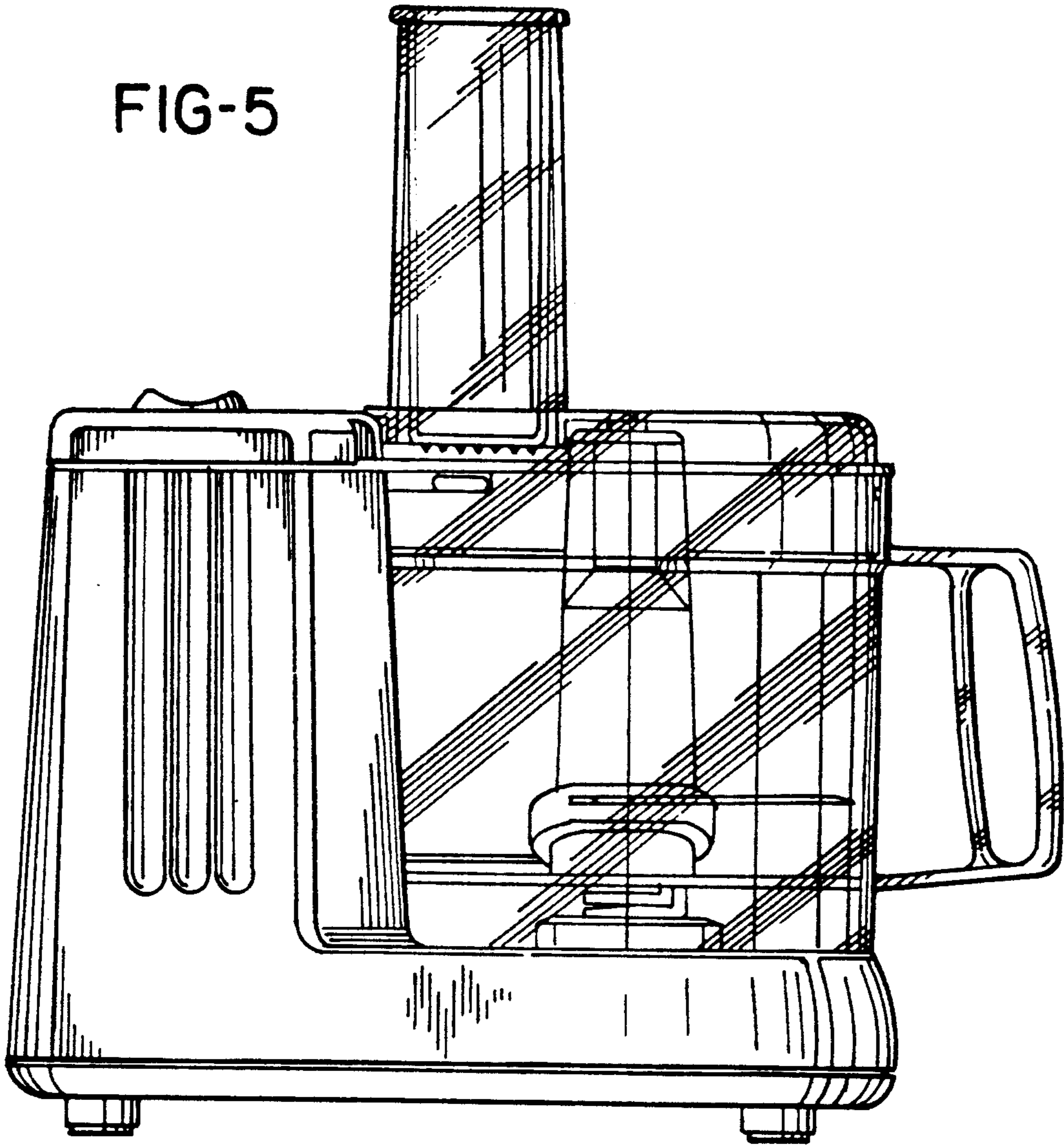


FIG-6

