



US00D345078S

United States Patent [19] Gotzsch

[11] Patent Number: **Des. 345,078**

[45] Date of Patent: **** Mar. 15, 1994**

[54] **FOOD PROCESSOR**

[75] Inventor: **Josina H. J. Gotzsch, La Buisse, France**
[73] Assignee: **U.S. Philips Corporation, New York, N.Y.**

[**] Term: **14 Years**

[21] Appl. No.: **974,372**

[22] Filed: **Nov. 10, 1992**

Related U.S. Application Data

[63] Continuation of Ser. No. 526,802, May 21, 1990, abandoned.

[30] **Foreign Application Priority Data**

Dec. 14, 1989 [WO] World Int. Prop. O. DM015.346
[52] U.S. Cl. **D7/384; D7/376**
[58] Field of Search **D7/376, 377, 378, 381, D7/384, 386; 241/37.5, 12, 92, 93, 101.1, 199, 282.1, 282.2**

[56] **References Cited**

U.S. PATENT DOCUMENTS

D. 293,195 12/1987 Kim D7/384
D. 293,873 1/1988 Maass D7/384
D. 319,754 9/1991 Maass D7/379
4,184,641 1/1980 Coggiola 241/282.1 X
4,598,874 7/1986 Barnett 241/94 X
4,799,626 1/1989 Hickel et al. 241/37.5

OTHER PUBLICATIONS

1 sheet from official gazette (Taiwan) Mar. 1990.
9 sheets of various advertisements. Publication dates unknown.

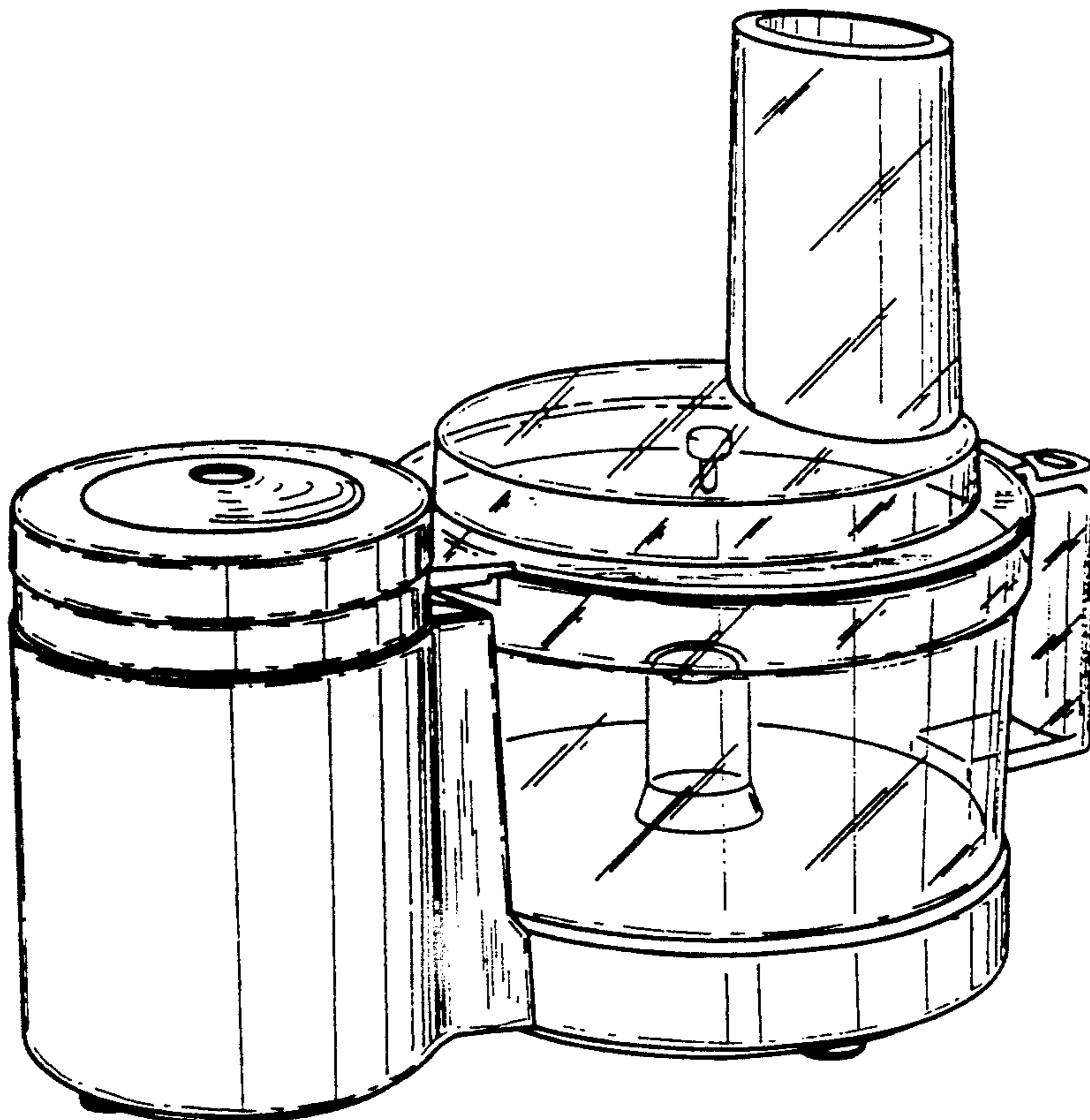
Primary Examiner—Alan P. Douglas
Assistant Examiner—Caron D. Veynar
Attorney, Agent, or Firm—Jack E. Haken

[57] **CLAIM**

The ornamental design for a food processor, as shown.

DESCRIPTION

FIG. 1 is a perspective view of a food processor showing my new design;
FIG. 2 is a front elevational view thereof;
FIG. 3 is a rear elevational view thereof;
FIG. 4 is a left side elevational view thereof;
FIG. 5 is a right side elevational view thereof;
FIG. 6 is a top plan view thereof; and,
FIG. 7 is a bottom plan view thereof.



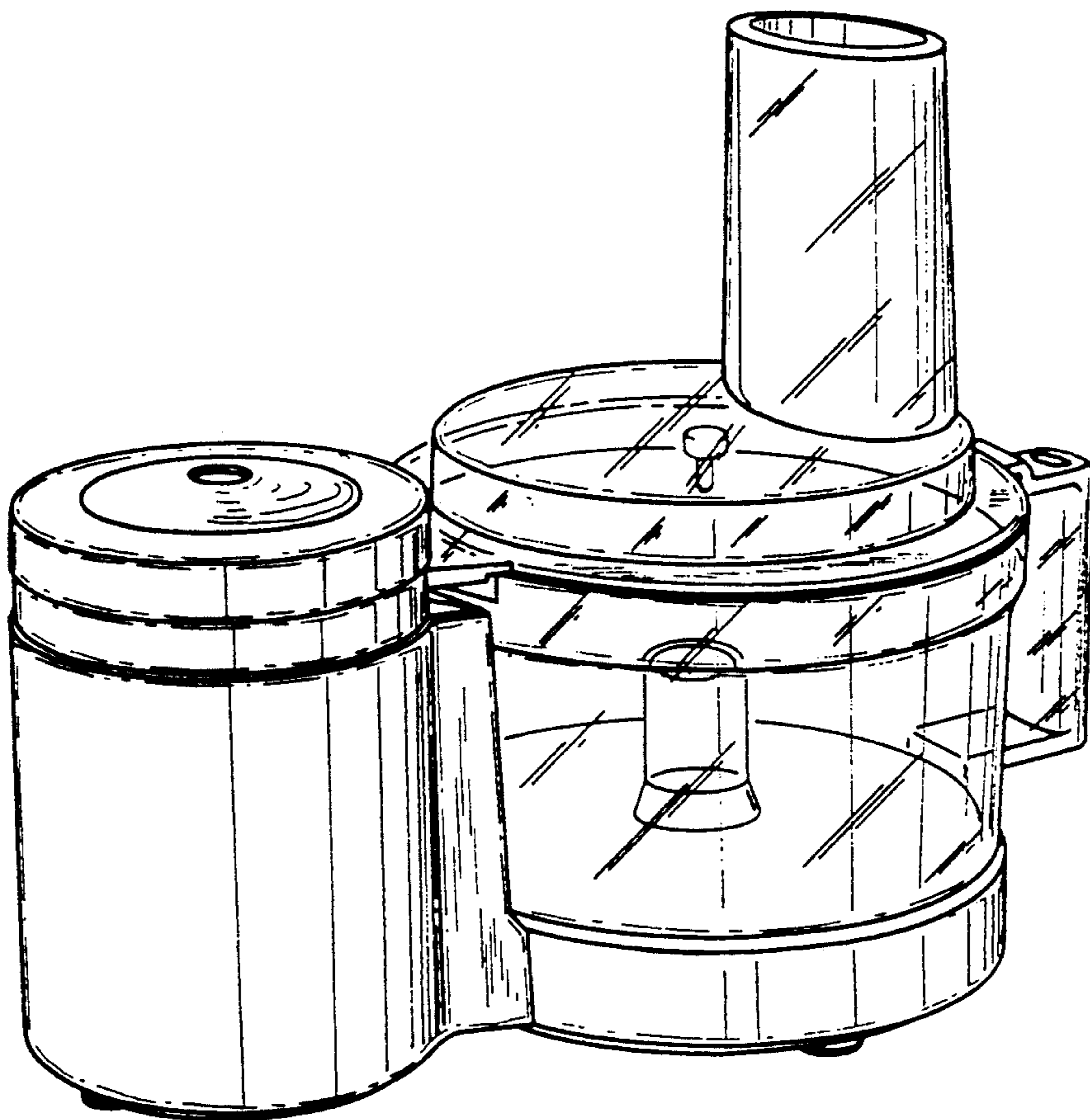


FIG. 1

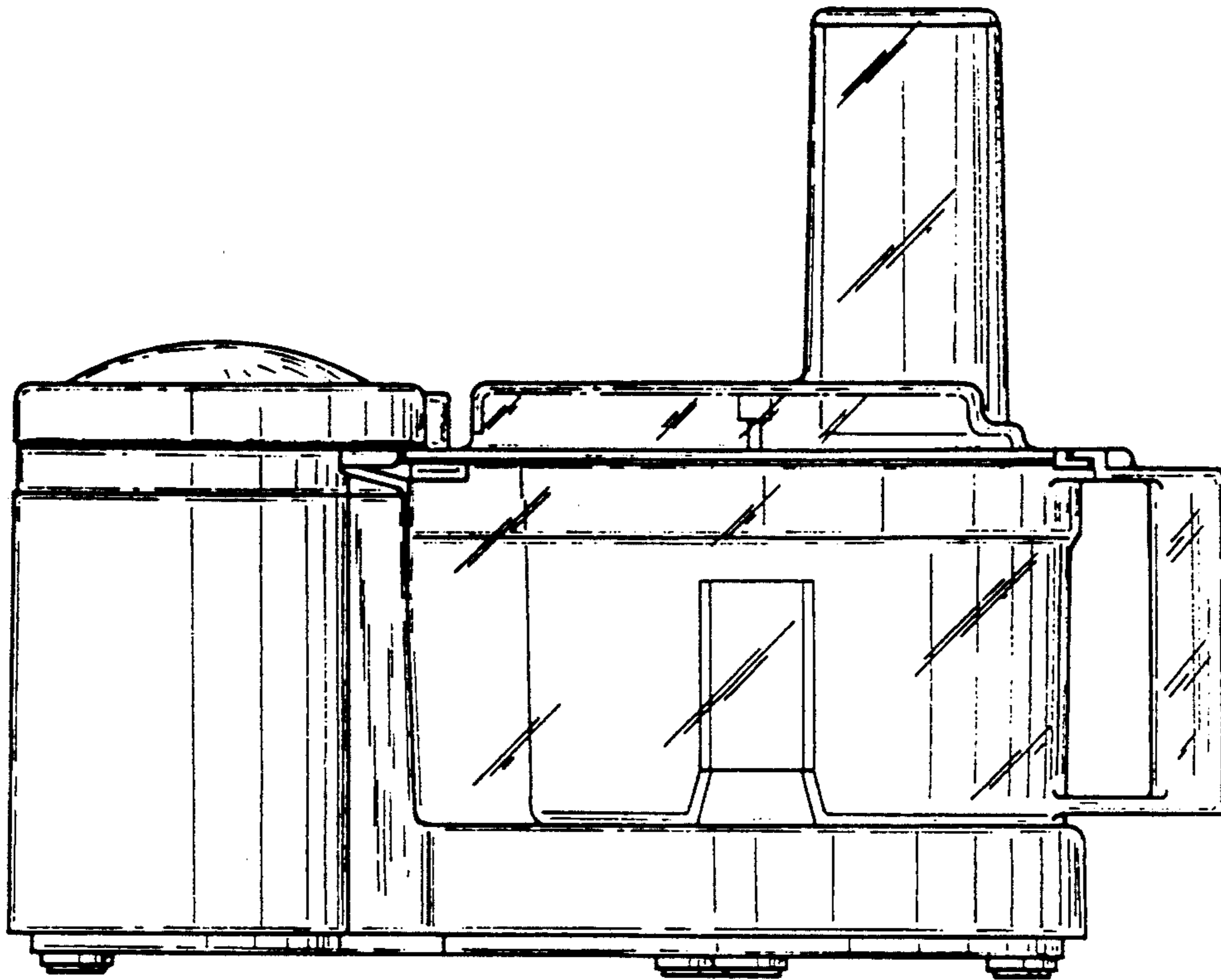


FIG. 2

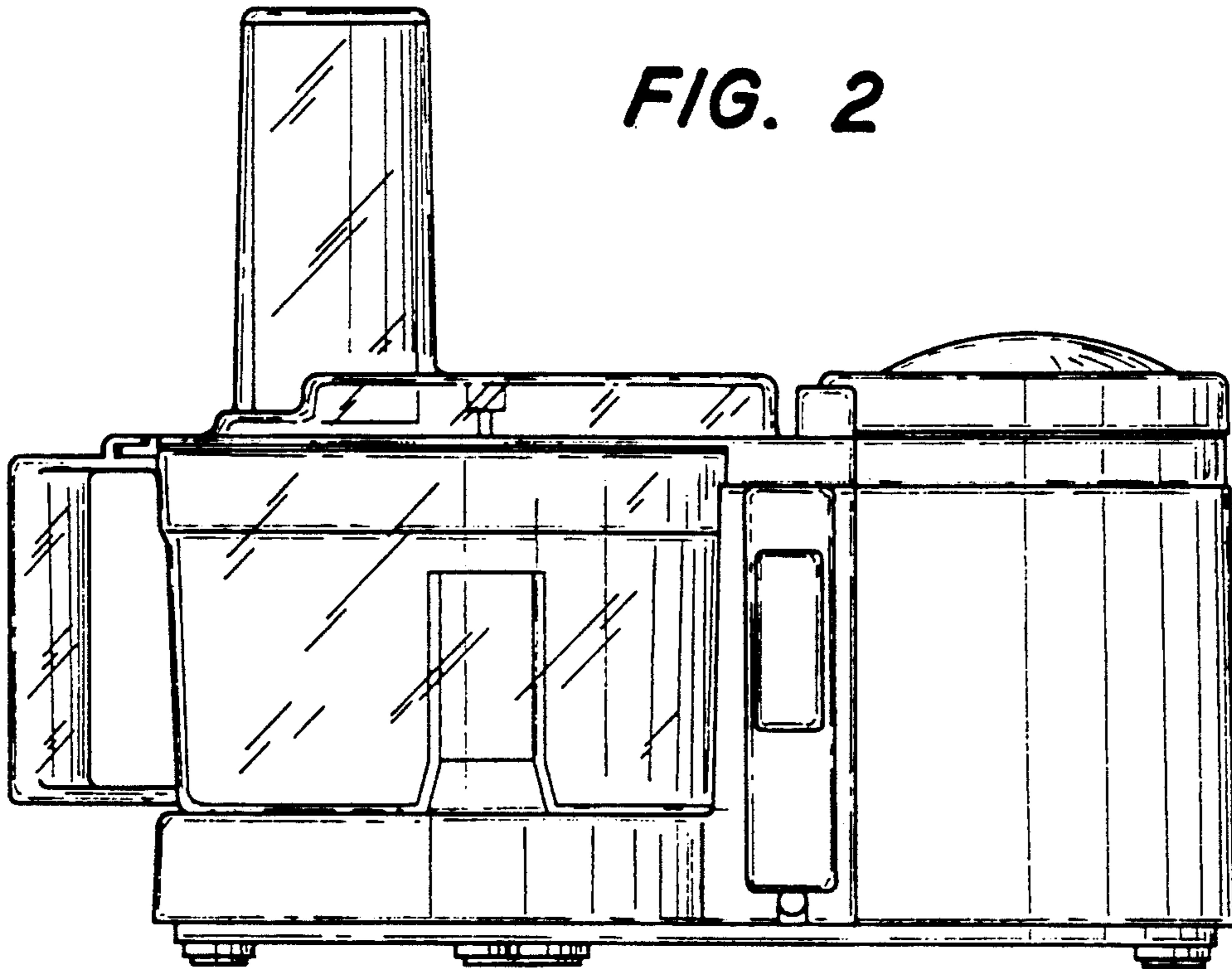


FIG. 3

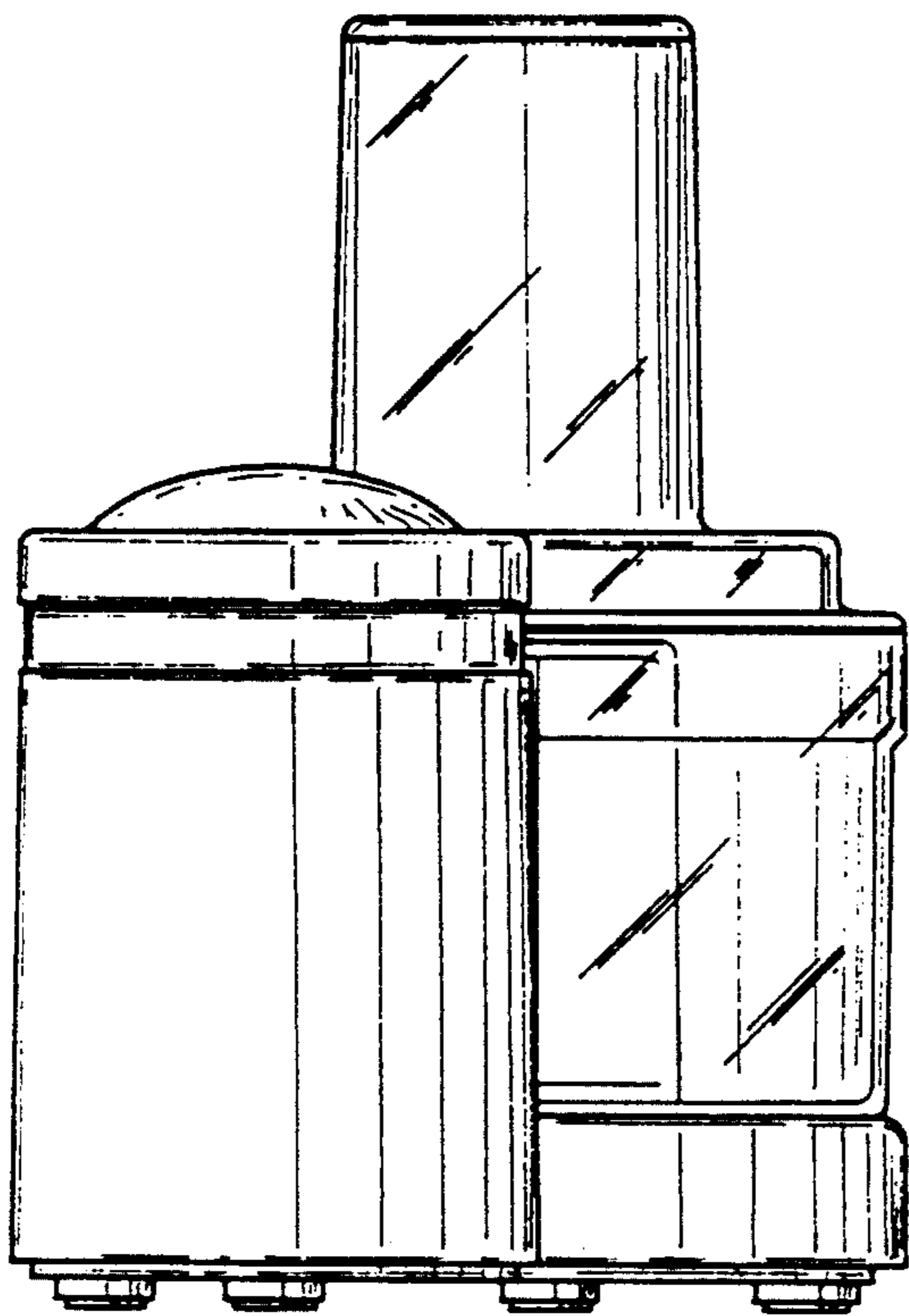


FIG. 4

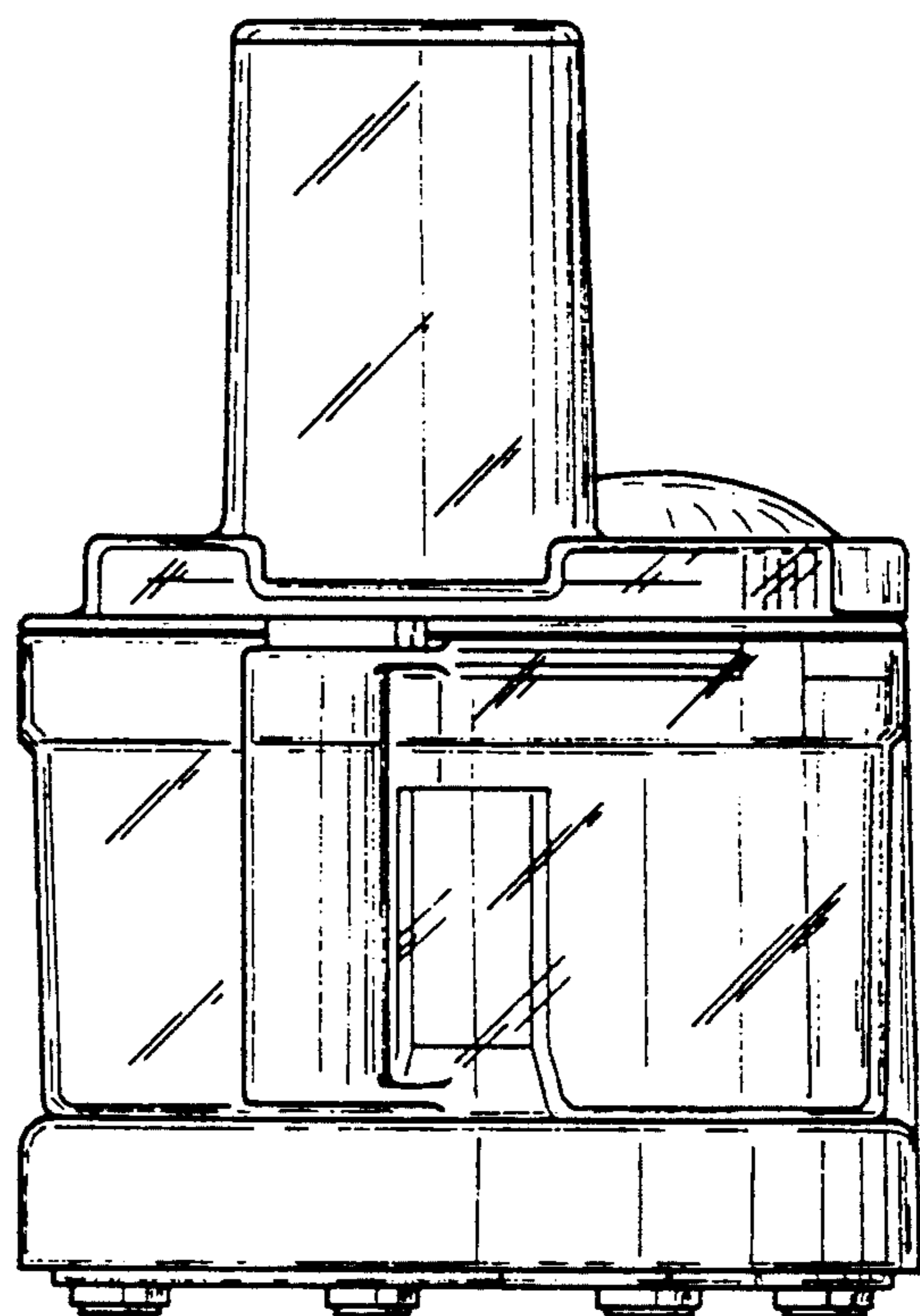


FIG. 5

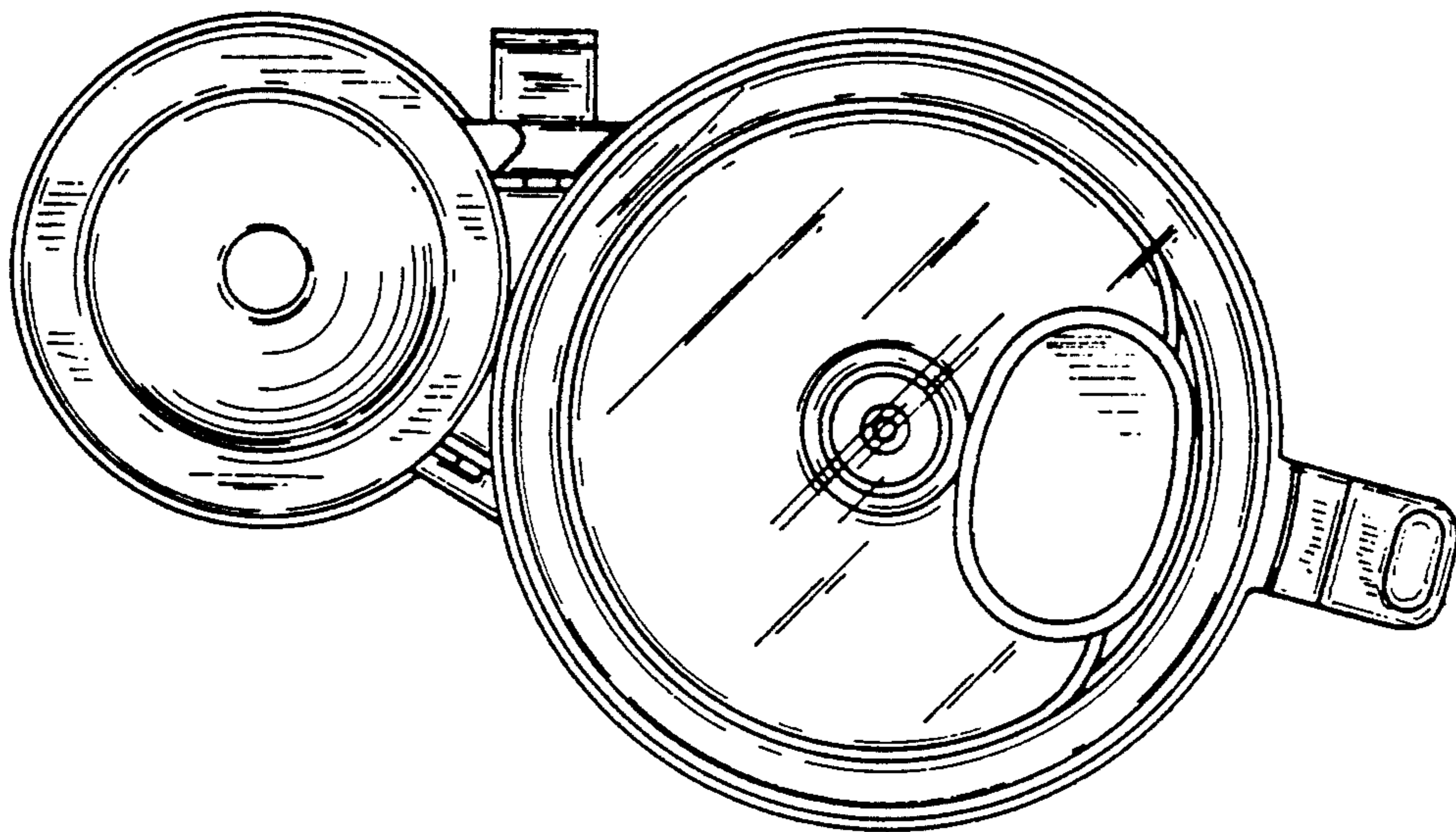


FIG. 6

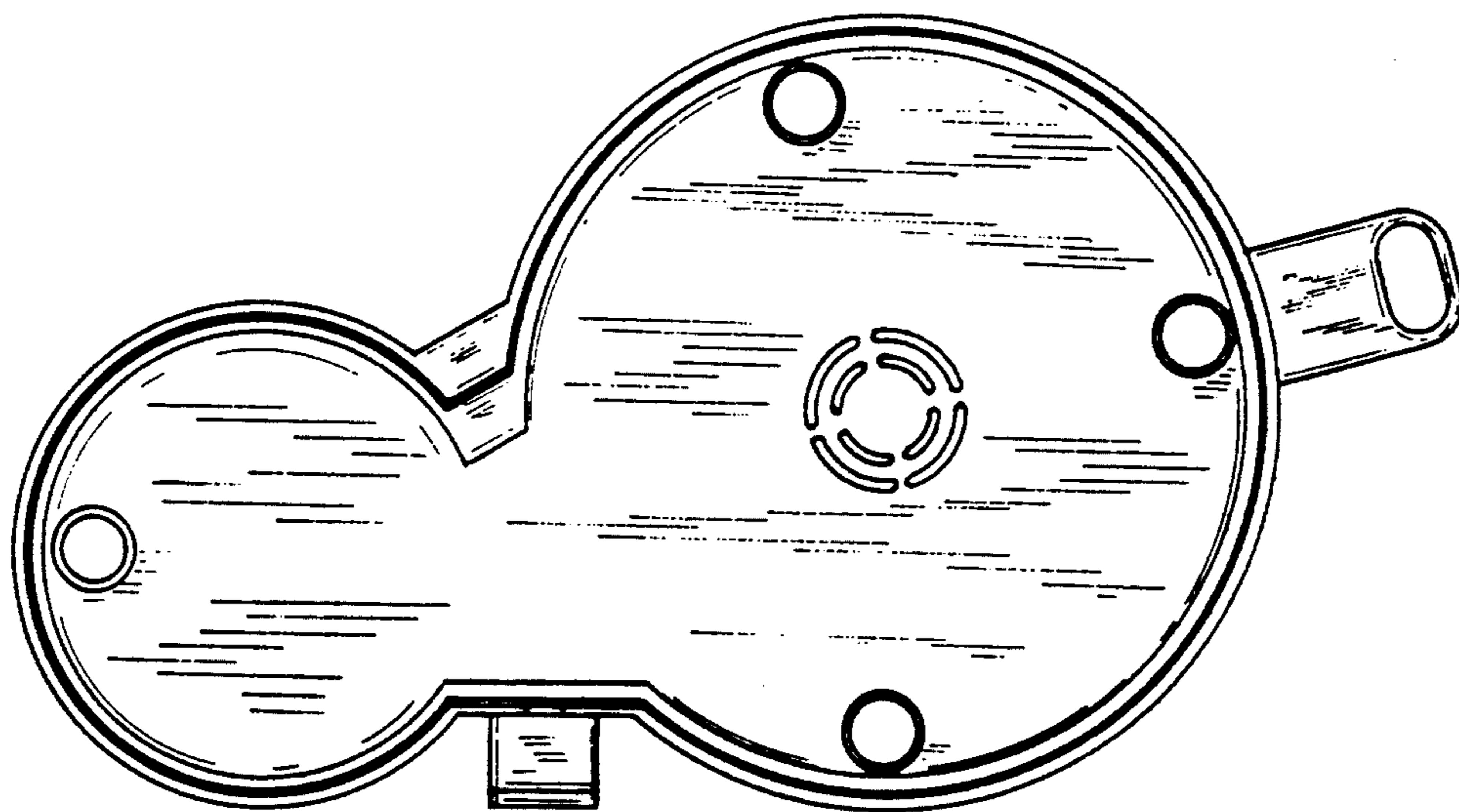


FIG. 7