



US00D345074S

United States Patent [19]

Myers et al.

[11] Patent Number: **Des. 345,074**

[45] Date of Patent: **** Mar. 15, 1994**

[54] **TOASTER**

[75] Inventors: **Terry L. Myers, Richmond, Va.; R. Scott Myerly, Alpharetta, Ga.; Stanley T. Gresens, Homewood; James C. Hand, Glen Ellyn, both of Ill.**

[73] Assignee: **Hamilton Beach/Proctor-Silex, Inc., Glen Allen, Va.**

[**] Term: **14 Years**

[21] Appl. No.: **2,437**

[22] Filed: **Dec. 9, 1992**

[52] U.S. Cl. **D7/330; D7/328**

[58] Field of Search **D7/323, 328-330; 99/372, 385, 389**

63288 5/1989 Canada .
69242 11/1991 Canada .
69763 12/1991 Canada .
2105974 4/1983 United Kingdom .

OTHER PUBLICATIONS

P. 9 of Catalog titled Hamilton Beach/Proctor Silex published Apr. 19, 1992 by Hamilton Beach/Proctor-Silex Inc.

Photo copy of front and back cover pages and p. 199 of Best General Merchandise Catalog, published 1990 by Best Products Co. Inc.

Primary Examiner—Alan P. Douglas
Assistant Examiner—Caron D. Veynar
Attorney, Agent, or Firm—Roger S. Dybvig

[57] CLAIM

The ornamental design for a toaster, as shown and described.

[56] References Cited

U.S. PATENT DOCUMENTS

D. 86,611	3/1932	Lagerquist et al.	D7/328
D. 193,599	9/1962	De Fano	D7/330
D. 235,124	5/1975	Jolliffe	D7/330
D. 315,272	3/1991	Moore et al.	D7/330
D. 315,273	3/1991	Myerly et al.	D7/330
D. 328,685	8/1992	Wolfe	D7/330
D. 328,686	8/1992	Wolfe	D7/330
D. 336,588	6/1993	Myerly et al.	D7/328 X
2,717,951	9/1955	Swicker	99/385 X

FOREIGN PATENT DOCUMENTS

58993 7/1987 Canada .
60971 5/1988 Canada .

DESCRIPTION

FIG. 1 is a top, front and left side perspective view of a toaster showing our new design;
FIG. 2 is a front elevational view thereof;
FIG. 3 is a top plan view thereof;
FIG. 4 is a rear elevational view thereof;
FIG. 5 is a bottom plan view thereof; and,
FIG. 6 is right side elevational view thereof, the left side being a mirror image of the right side.

The broken line showings of the toast rack in FIGS. 1 and 3 and the crumb tray in FIG. 5 are for illustrative purposes only and form no part of the claimed design.

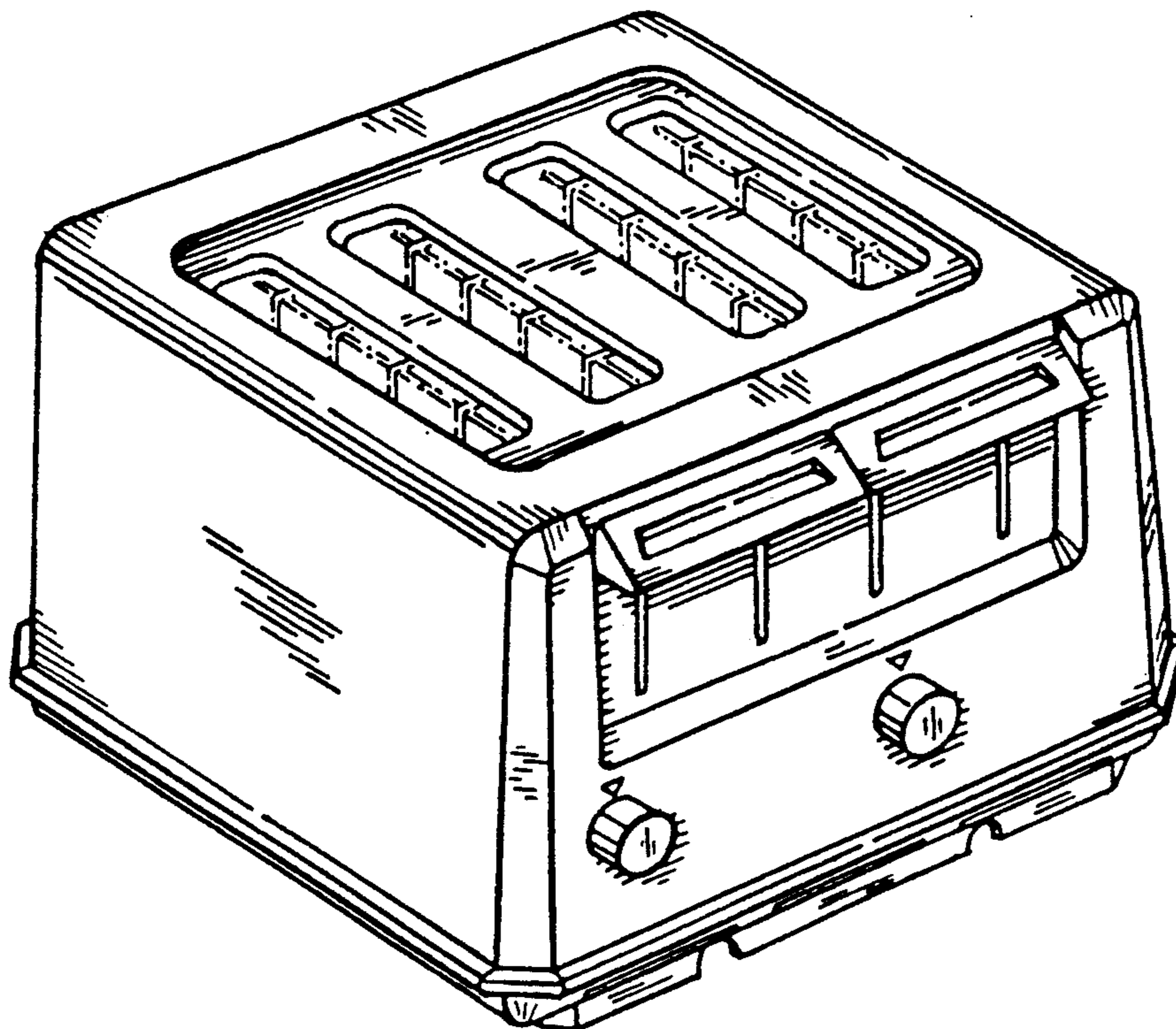


FIG-1

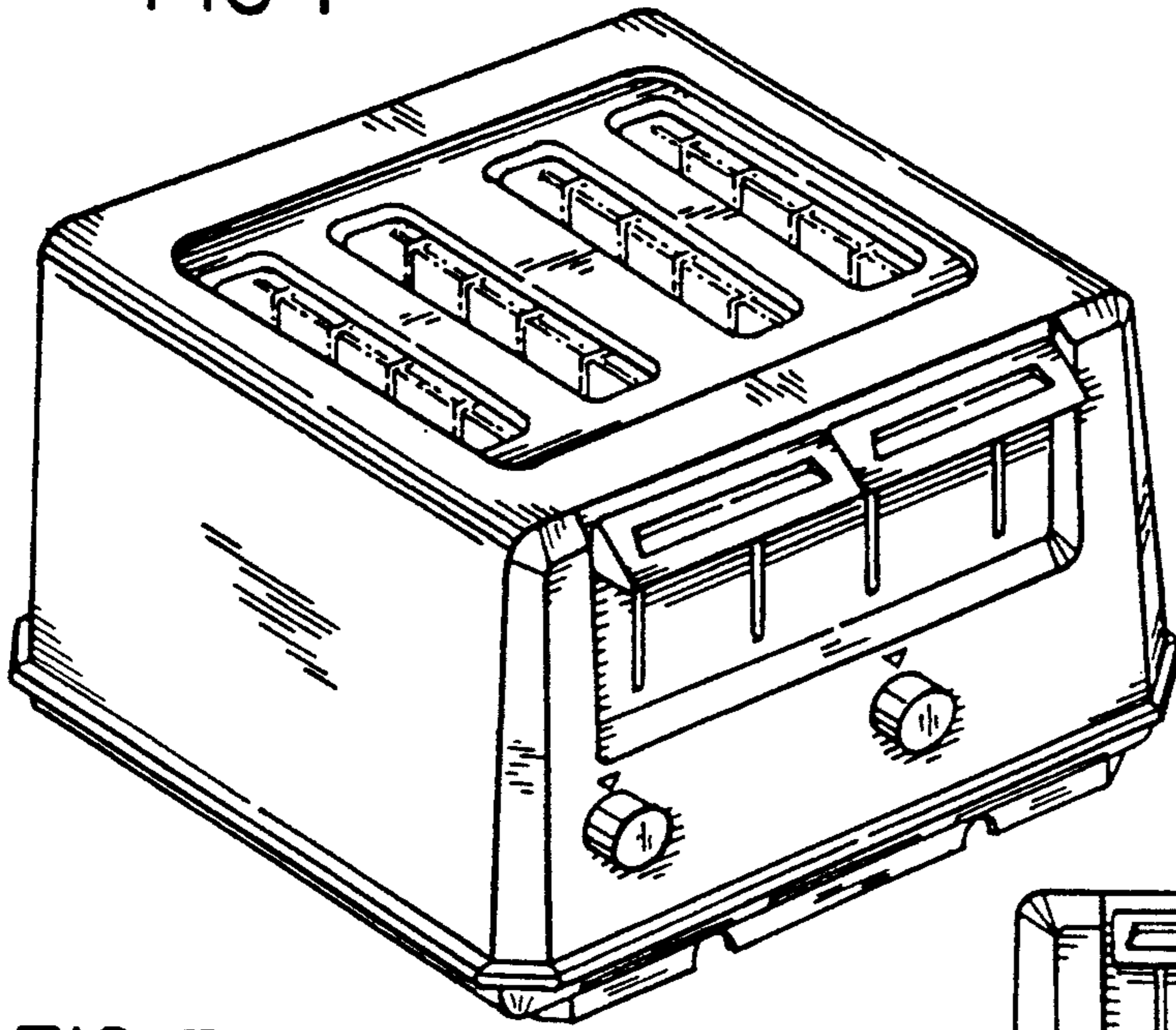


FIG-2

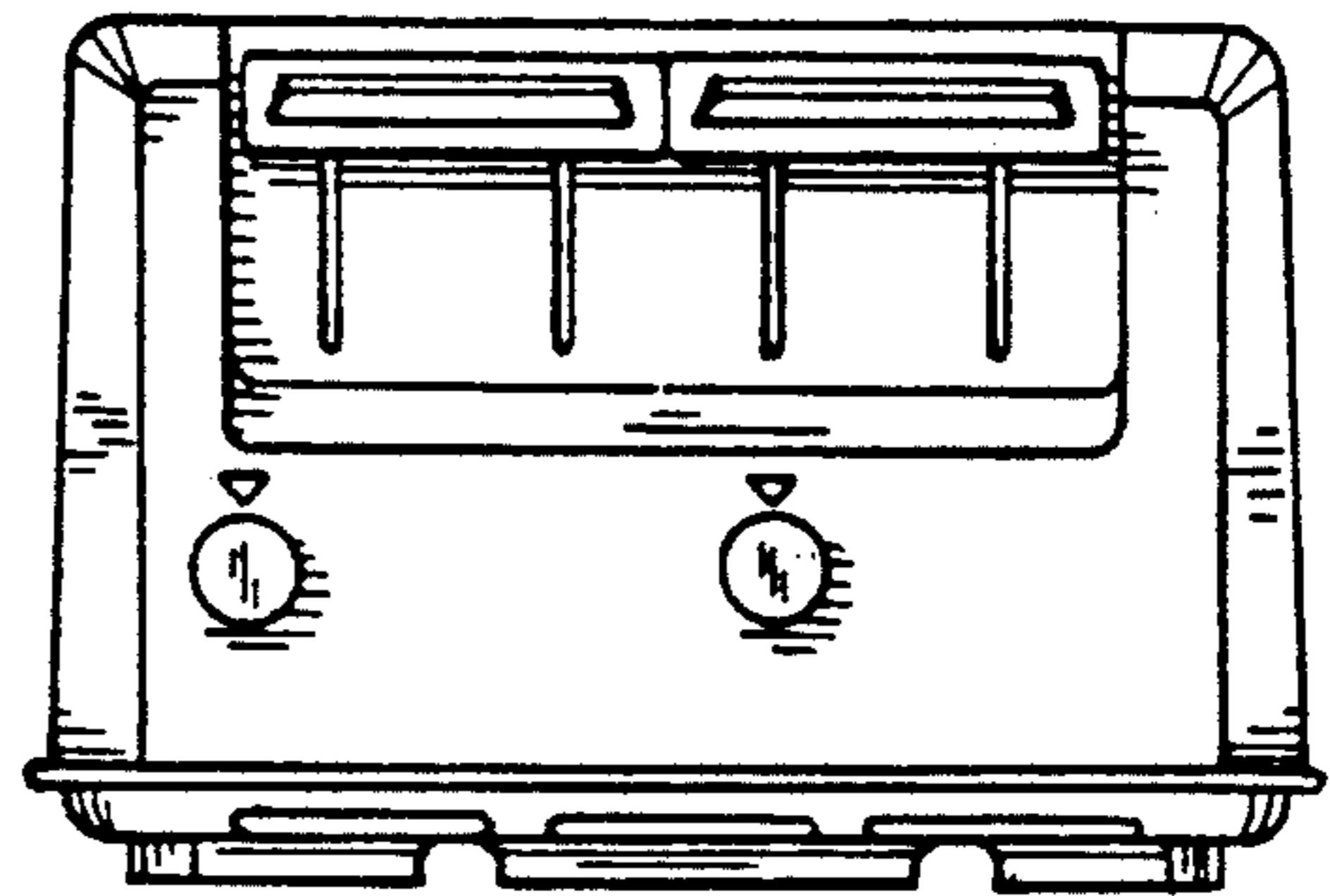


FIG-3

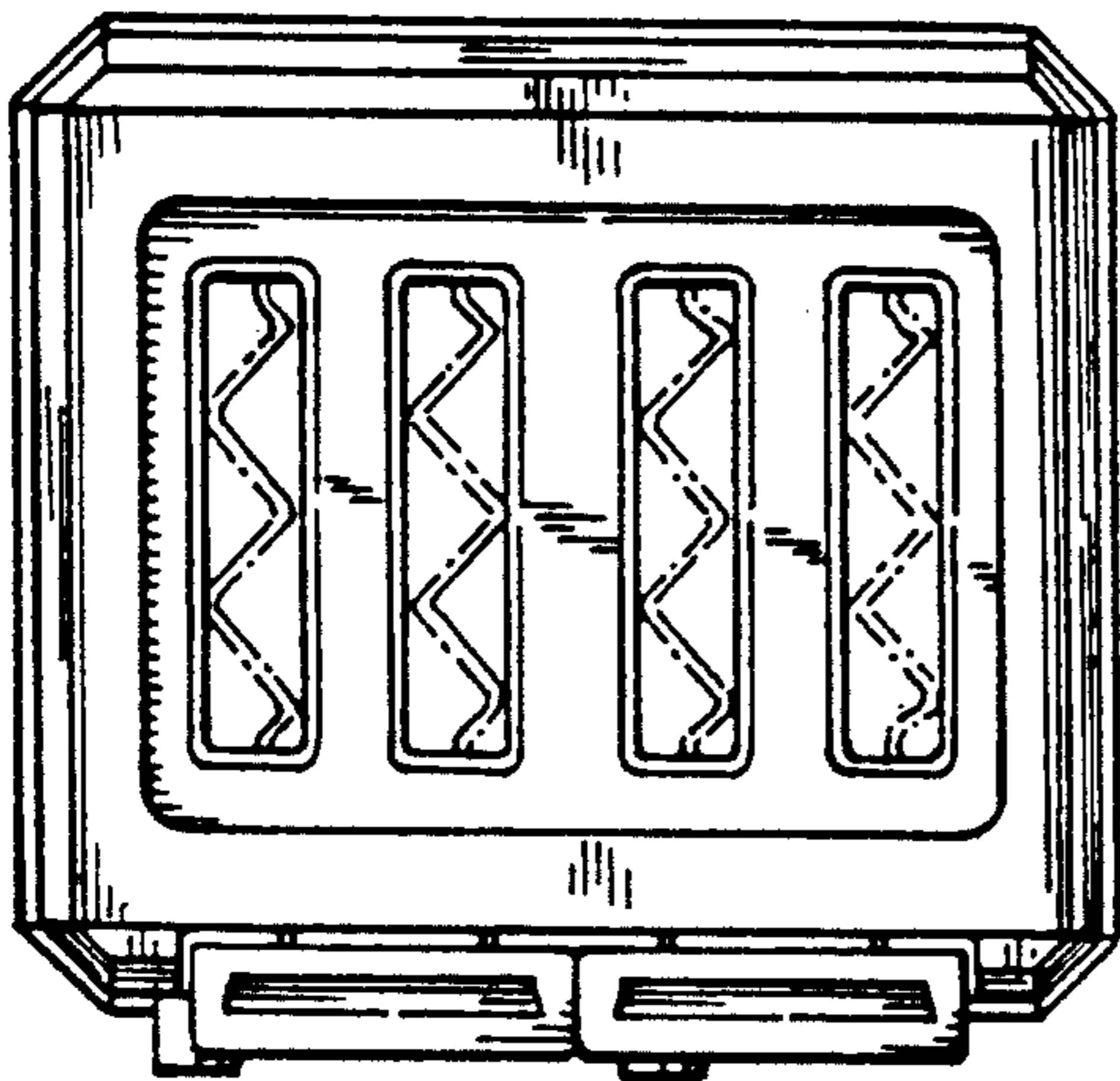


FIG-4

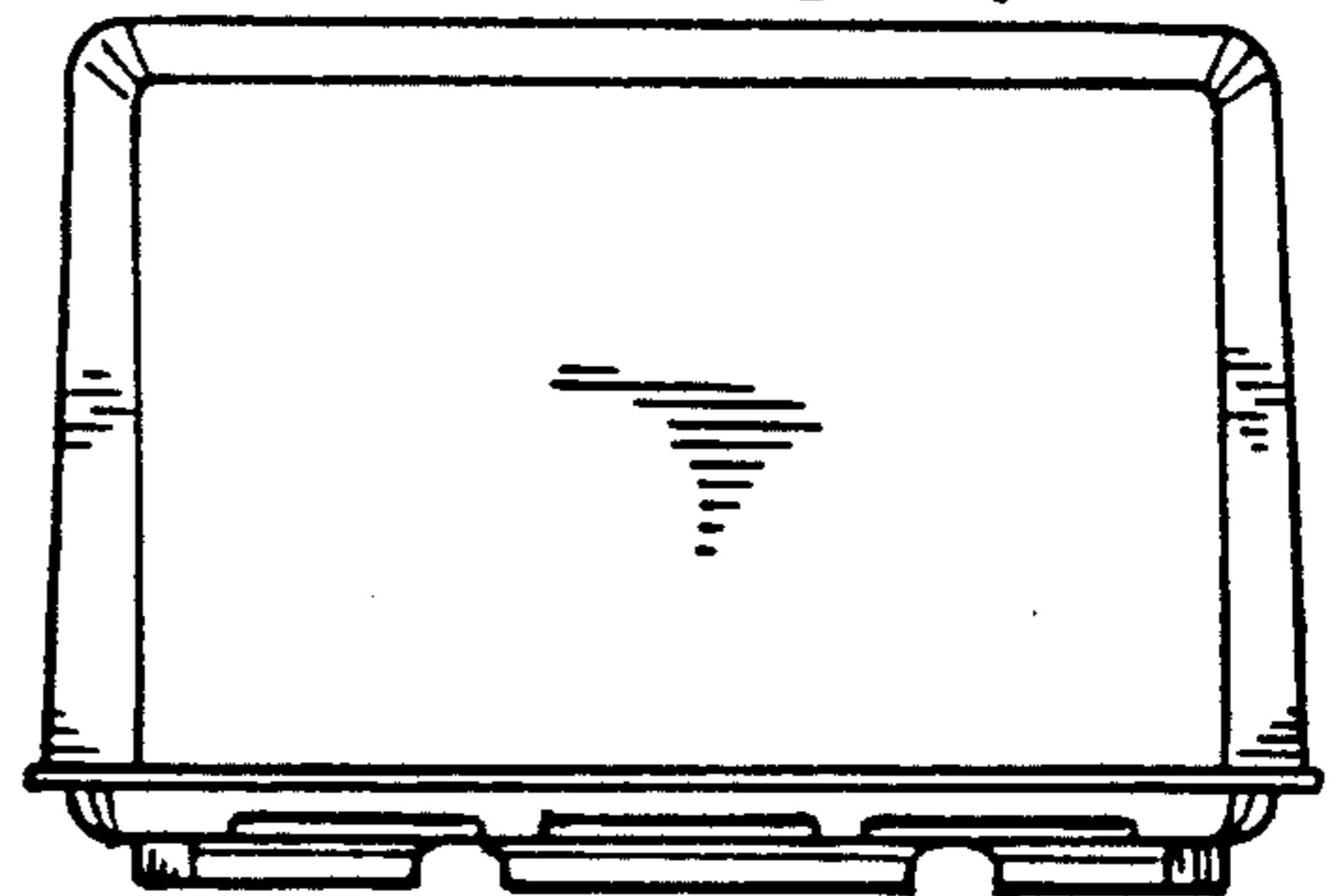


FIG-5

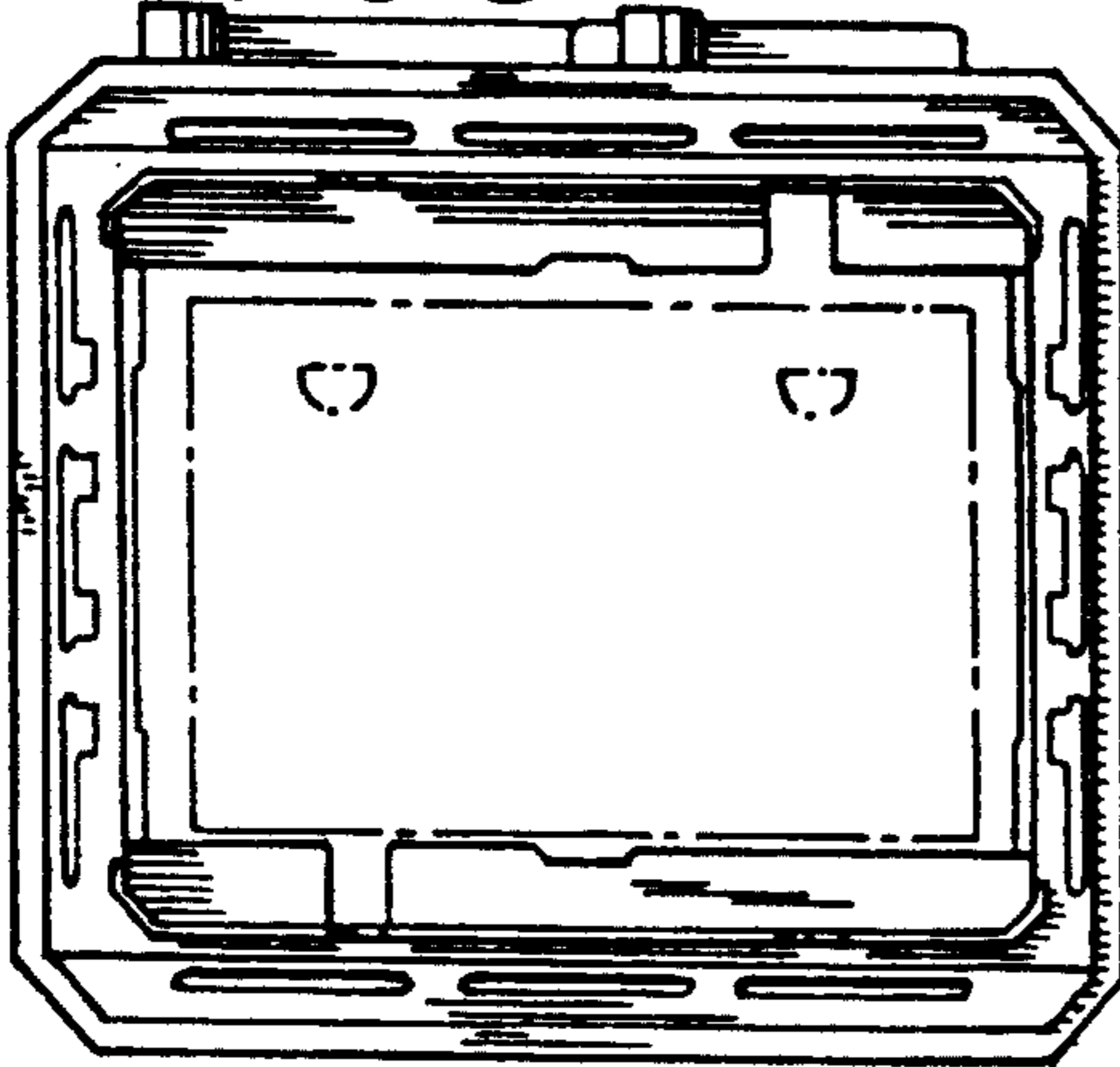


FIG-6

