



US00D345069S

United States Patent [19]
Green

[11] **Patent Number: Des. 345,069**
[45] **Date of Patent: ** Mar. 15, 1994**

[54] **CABINET DOOR MOUNTED RACK FOR PLASTIC GROCERY BAG**
[76] **Inventor: Robert L. Green, 7902 E. Bonita Dr., Scottsdale, Ariz. 85250**
[**] **Term: 14 Years**
[21] **Appl. No.: 943,208**
[22] **Filed: Sep. 11, 1992**
[52] **U.S. Cl. D6/566**
[58] **Field of Search D6/512, 552-553, D6/567, 566; 211/13, 71, 87, 106, 113, 119, 181; 248/95, 97-99, 107, 220.2, 907; D34/5-6**

D. 327,599 7/1992 David D6/566
4,498,652 2/1985 Malik 248/99
4,623,111 11/1986 Prader 248/97
4,893,769 1/1990 Rotelli 248/97

Primary Examiner—Brian N. Vinson
Attorney, Agent, or Firm—Warren F. B. Lindsley

[57] **CLAIM**

The ornamental design for a cabinet door mounted rack for plastic grocery bags, as shown and described.

DESCRIPTION

FIG. 1 is a perspective view of the top, front and left side of a cabinet door mounted rack for plastic grocery bags and embodying the invention;
FIG. 2 is a right side elevational view of FIG. 1;
FIG. 3 is a front elevational view of FIG. 1;
FIG. 4 is a rear elevational view of FIG. 1;
FIG. 5 is a top plan view of FIG. 1; and
FIG. 6 is a bottom plan view of FIG. 1.

[56] **References Cited**
U.S. PATENT DOCUMENTS
D. 242,407 11/1976 Enckler D6/566 X
D. 301,102 5/1989 Kloberg, Jr. D6/567
D. 319,125 8/1991 Currie D34/6

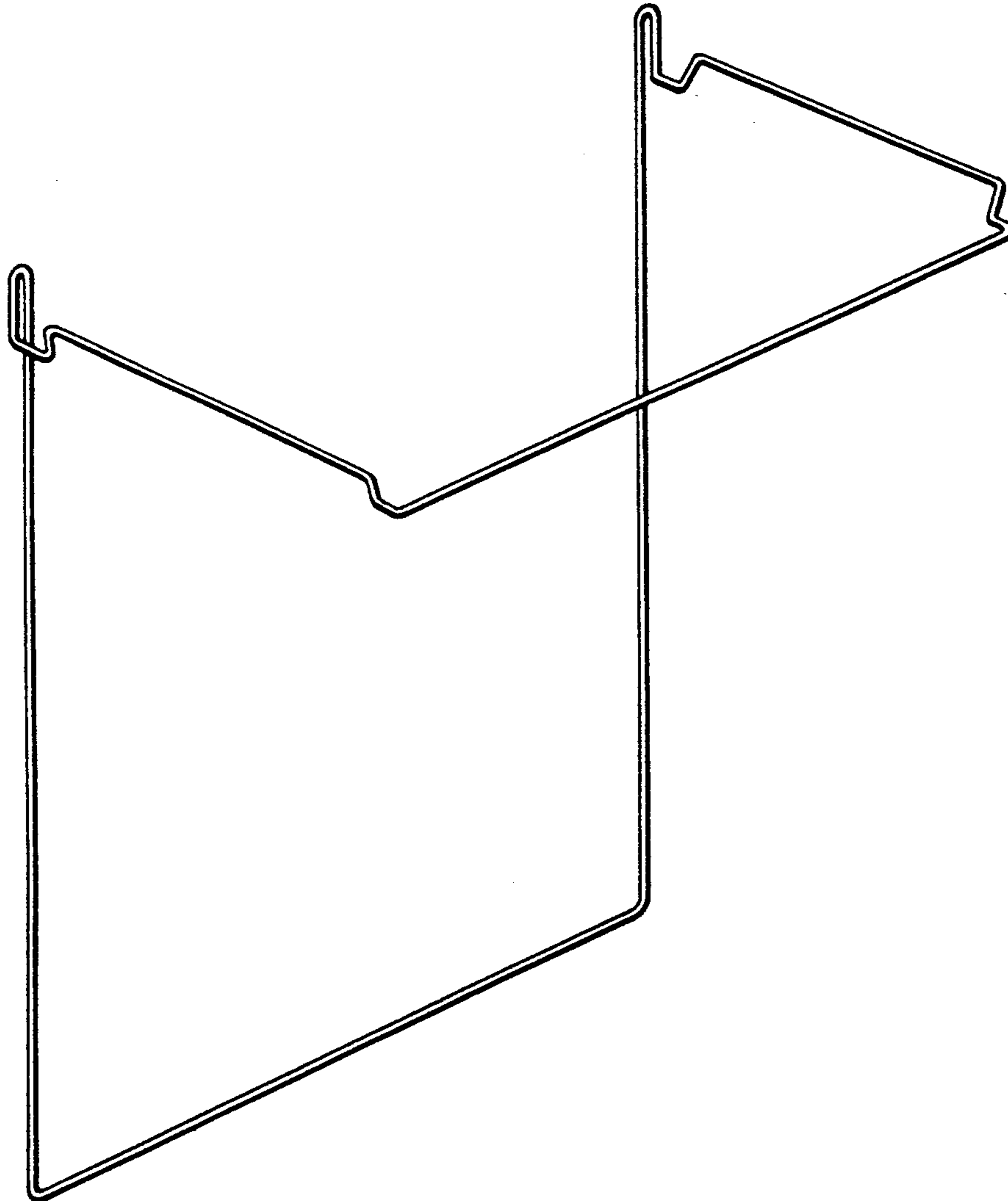


FIG. 1

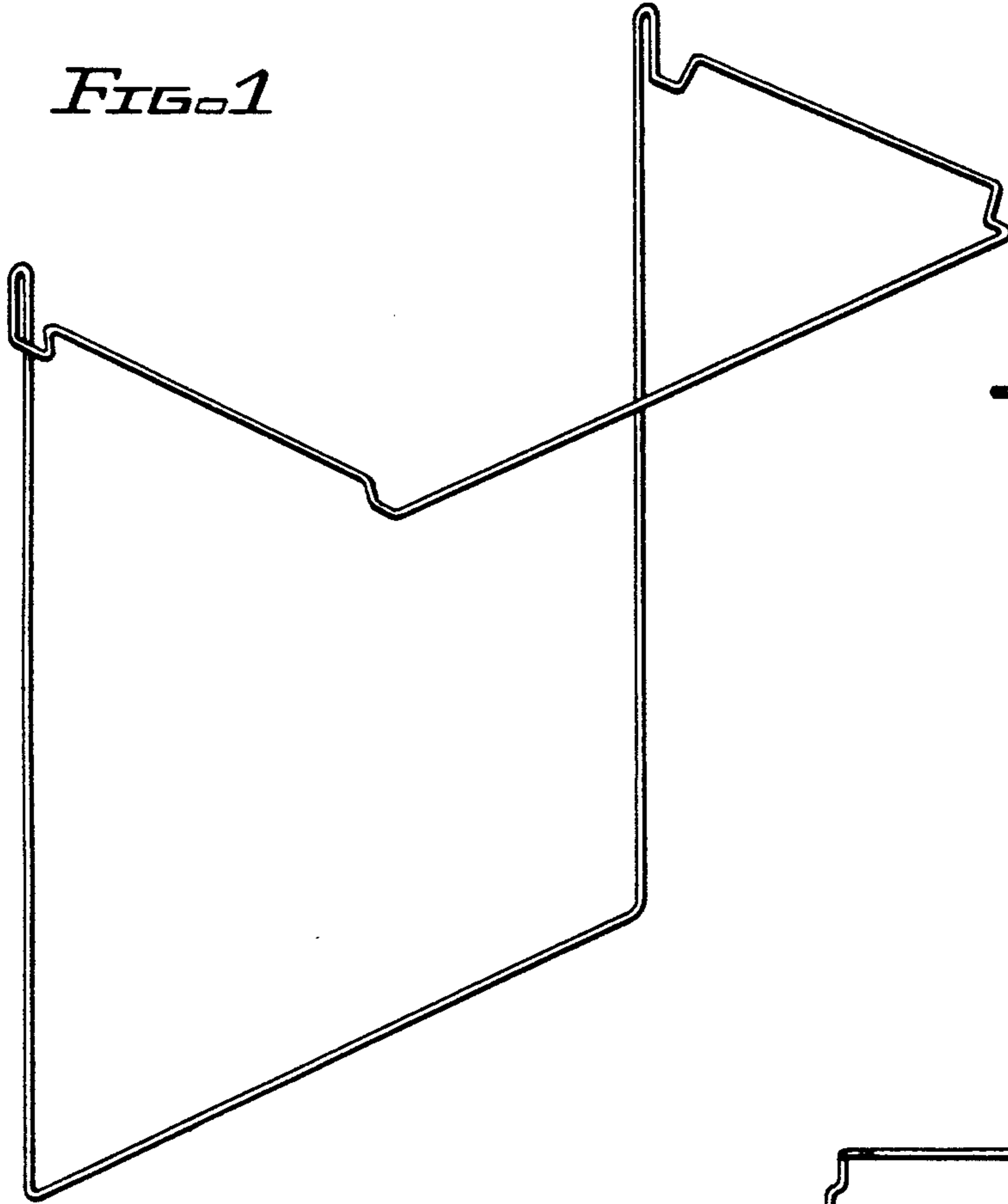


FIG. 2

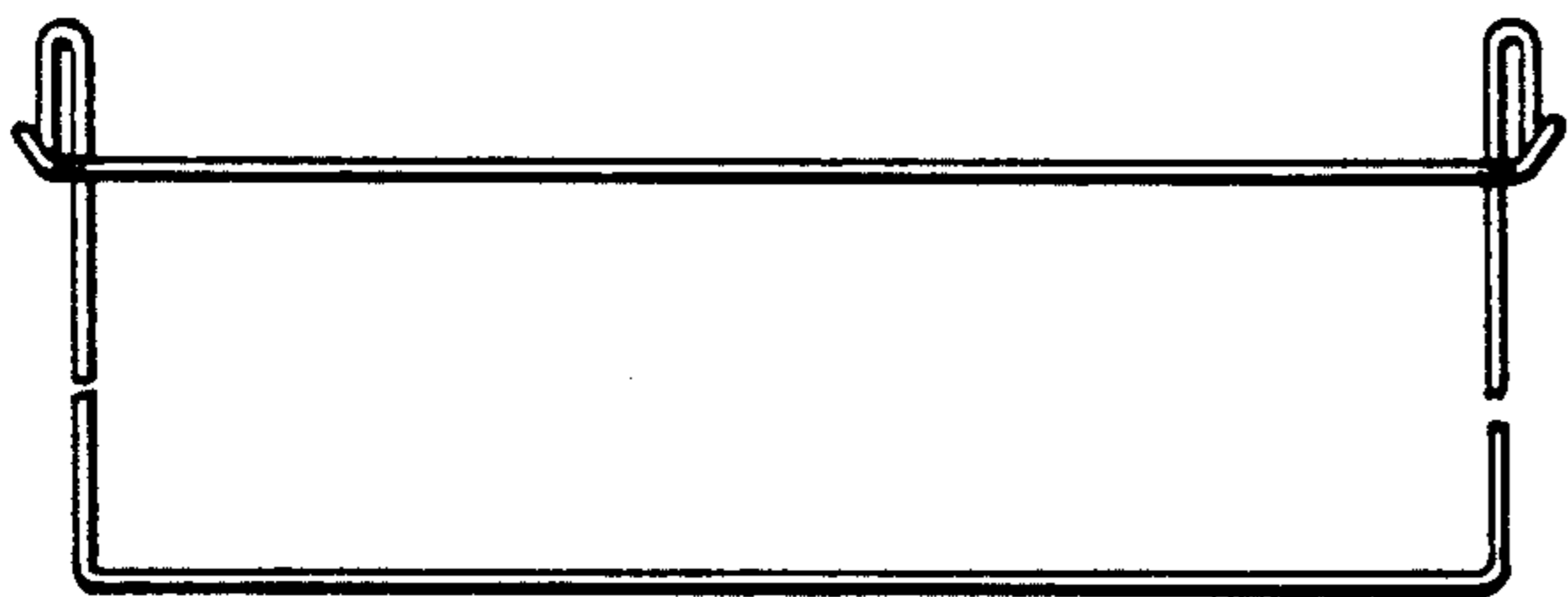
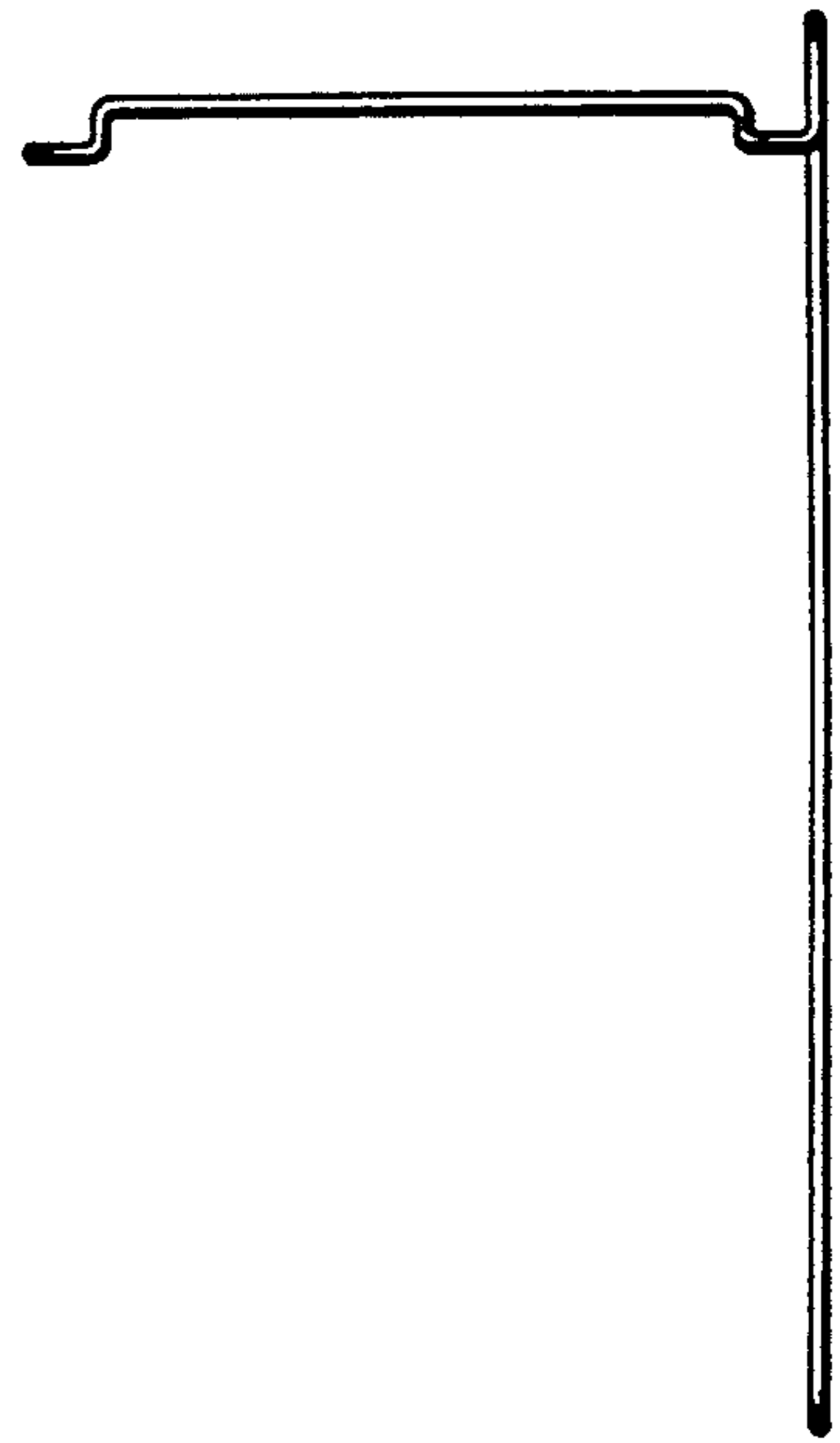


FIG. 3

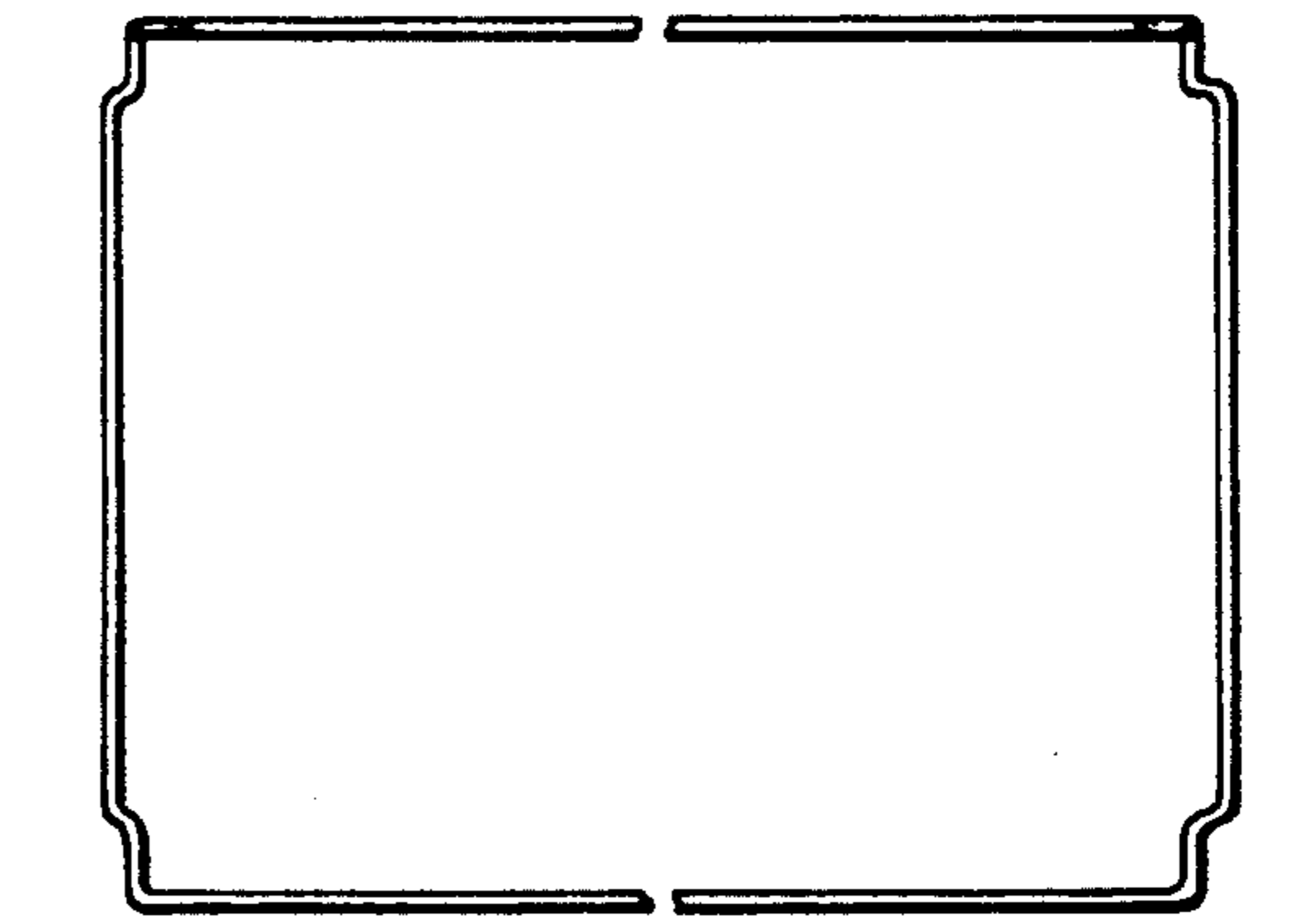


FIG. 5

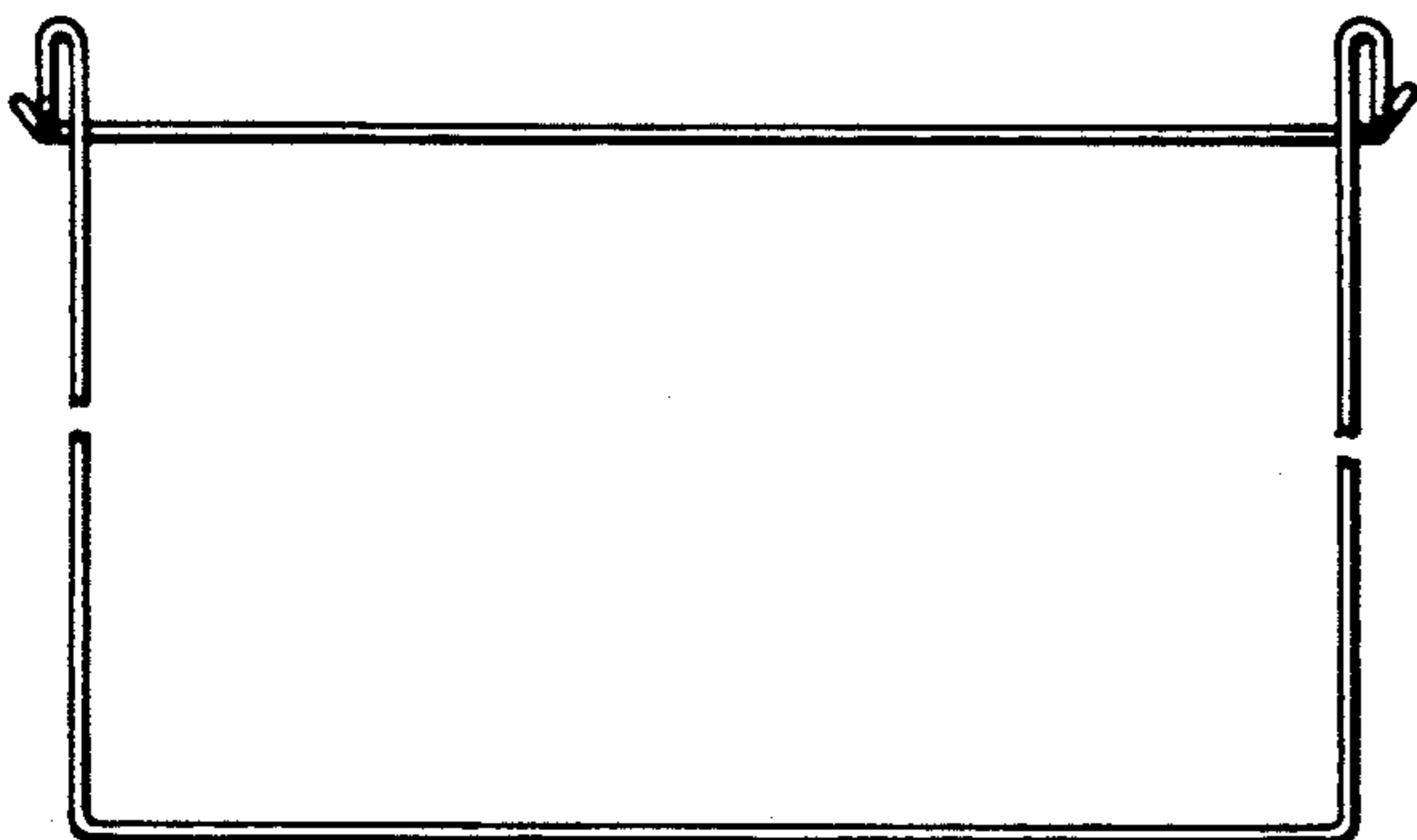


FIG. 4

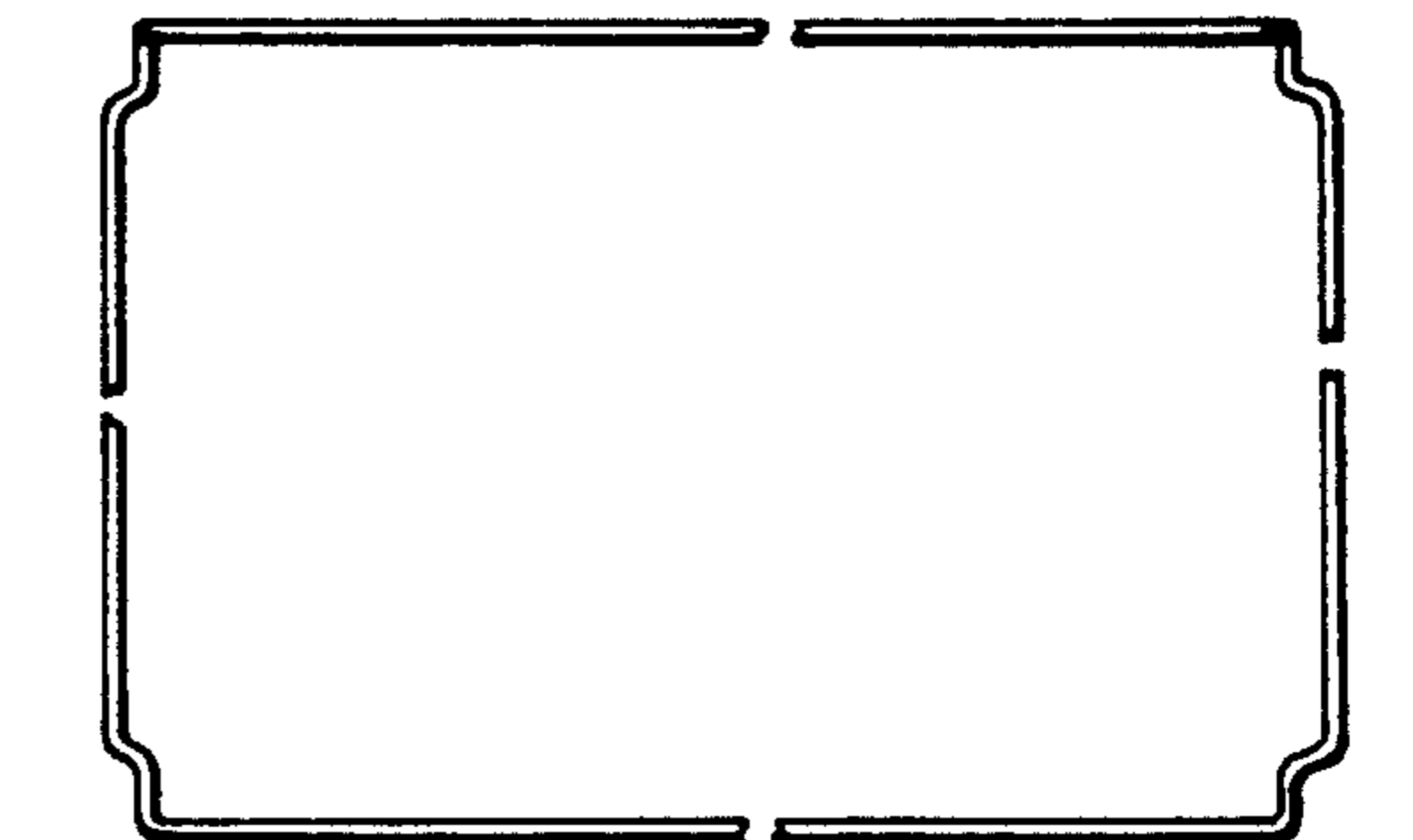


FIG. 6