



US00D345064S

United States Patent [19]

[11] Patent Number: **Des. 345,064**

Adams, Jr.

[45] Date of Patent: **** Mar. 15, 1994**

[54] **WORK STATION**

[76] Inventor: **Joseph E. Adams, Jr., McKern Rd., Rome, N.Y. 13440**

[**] Term: **14 Years**

[21] Appl. No.: **878,879**

[22] Filed: **May 4, 1992**

[52] U.S. Cl. **D6/474; D6/431**

[58] Field of Search **D6/474, 486, 487, 429-431; 248/441 B, 460; 312/231; D18/45, 59**

- D. 286,353 10/1986 Robolin D6/474
- D. 288,157 2/1987 Sandor D6/474
- D. 329,554 9/1992 Diffrient D6/486
- D. 333,933 3/1993 Feinbloom D6/486
- D. 339,257 9/1993 Scharer et al. D6/474

Primary Examiner—Carmen H. Vales-Lado
Attorney, Agent, or Firm—William M. Hobby, III

[57] **CLAIM**

The ornamental design for a work station, as shown.

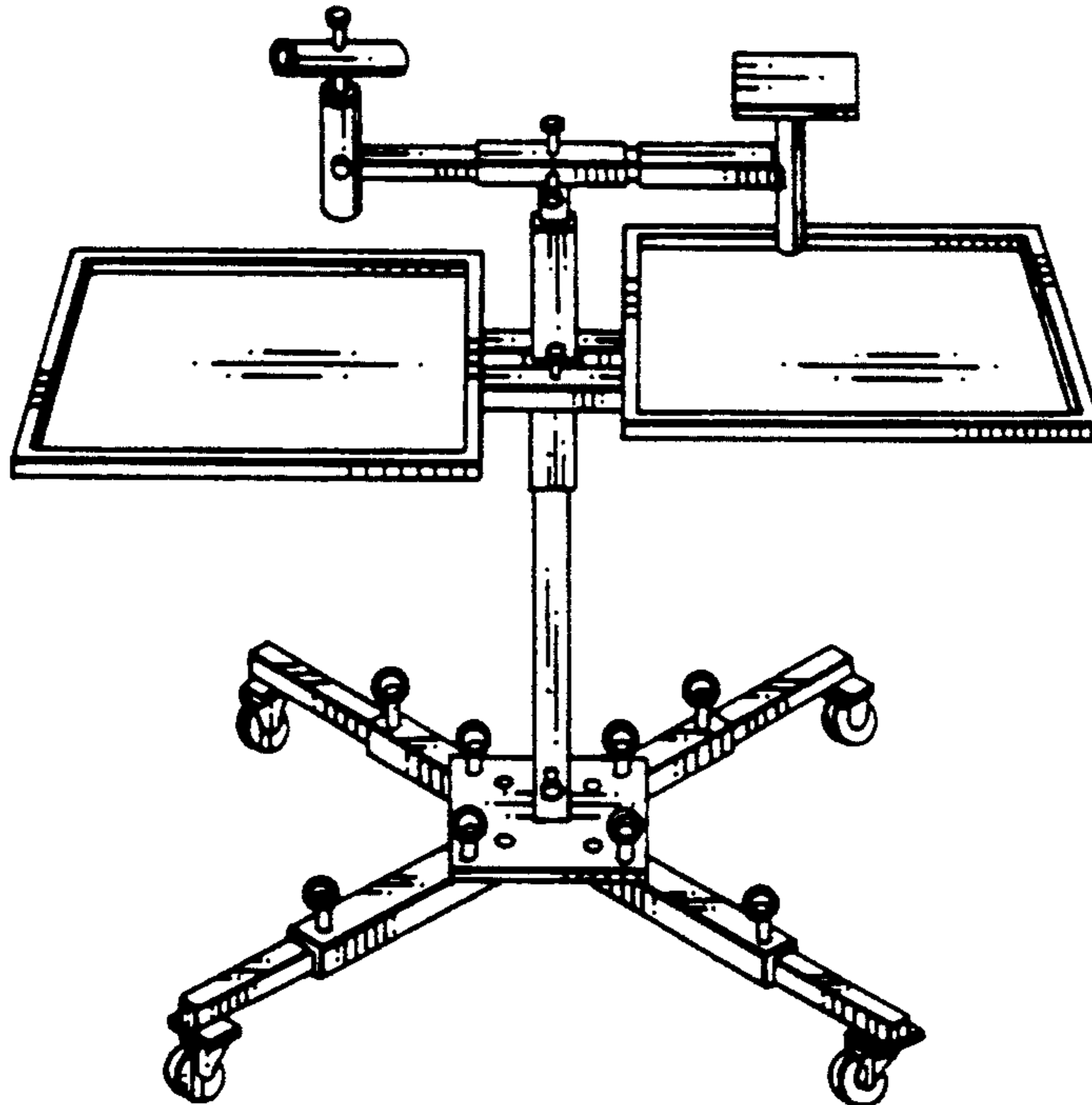
DESCRIPTION

FIG. 1 is a front perspective view of a work station showing my new design;
 FIG. 2 is a right side elevational view thereof;
 FIG. 3 is a front elevational view thereof;
 FIG. 4 is a left side elevational view thereof;
 FIG. 5 is a bottom plan view thereof; and,
 FIG. 6 is a top plan view thereof.

[56] **References Cited**

U.S. PATENT DOCUMENTS

- D. 168,525 12/1952 Thomas D6/426
- D. 266,467 10/1982 YlänköD6 474 X/
- D. 268,312 3/1983 Römpötti D6/474 X
- D. 274,586 7/1984 Cope et al. D6/420



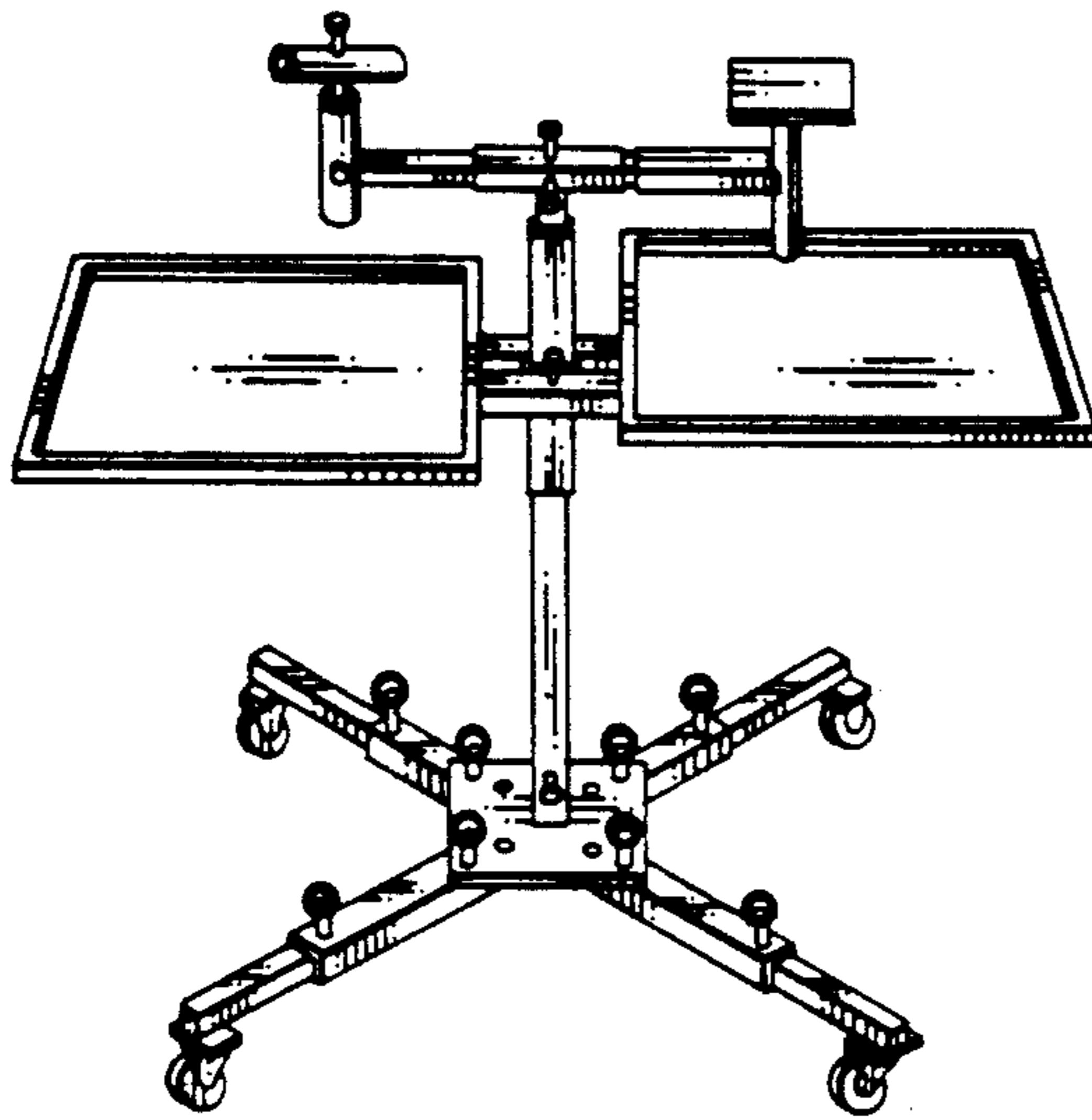


FIG. 1

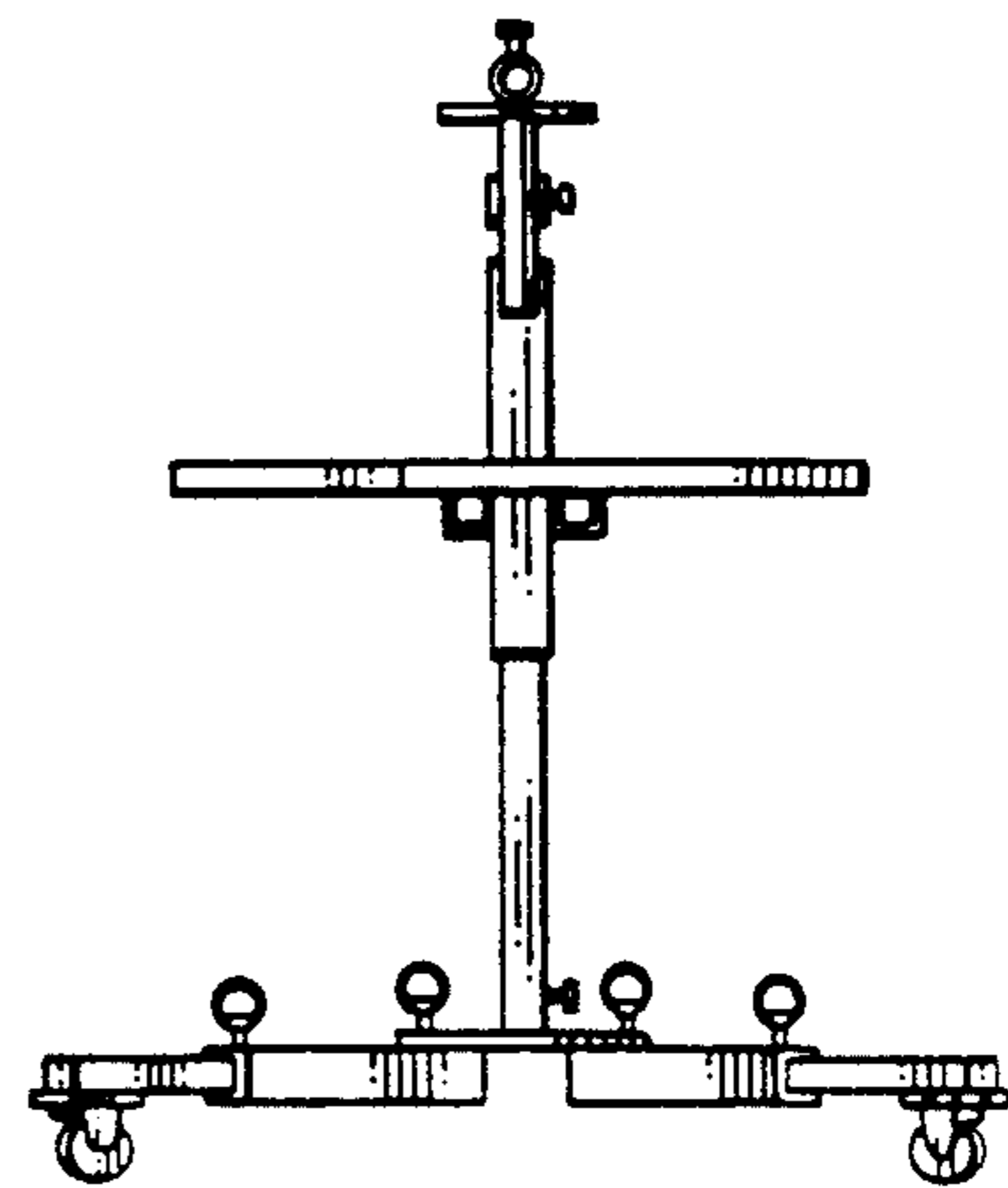


FIG. 2

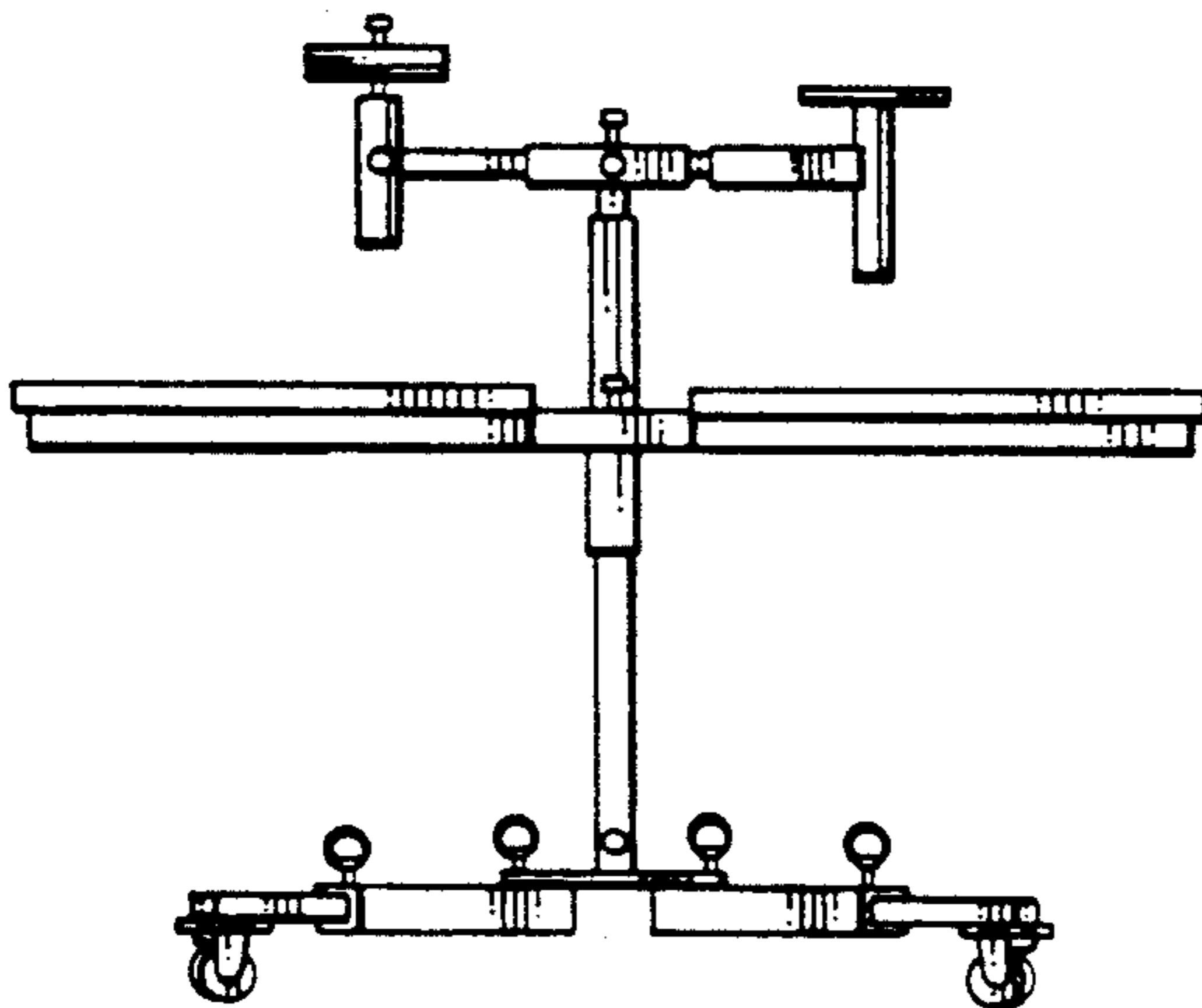


FIG. 3

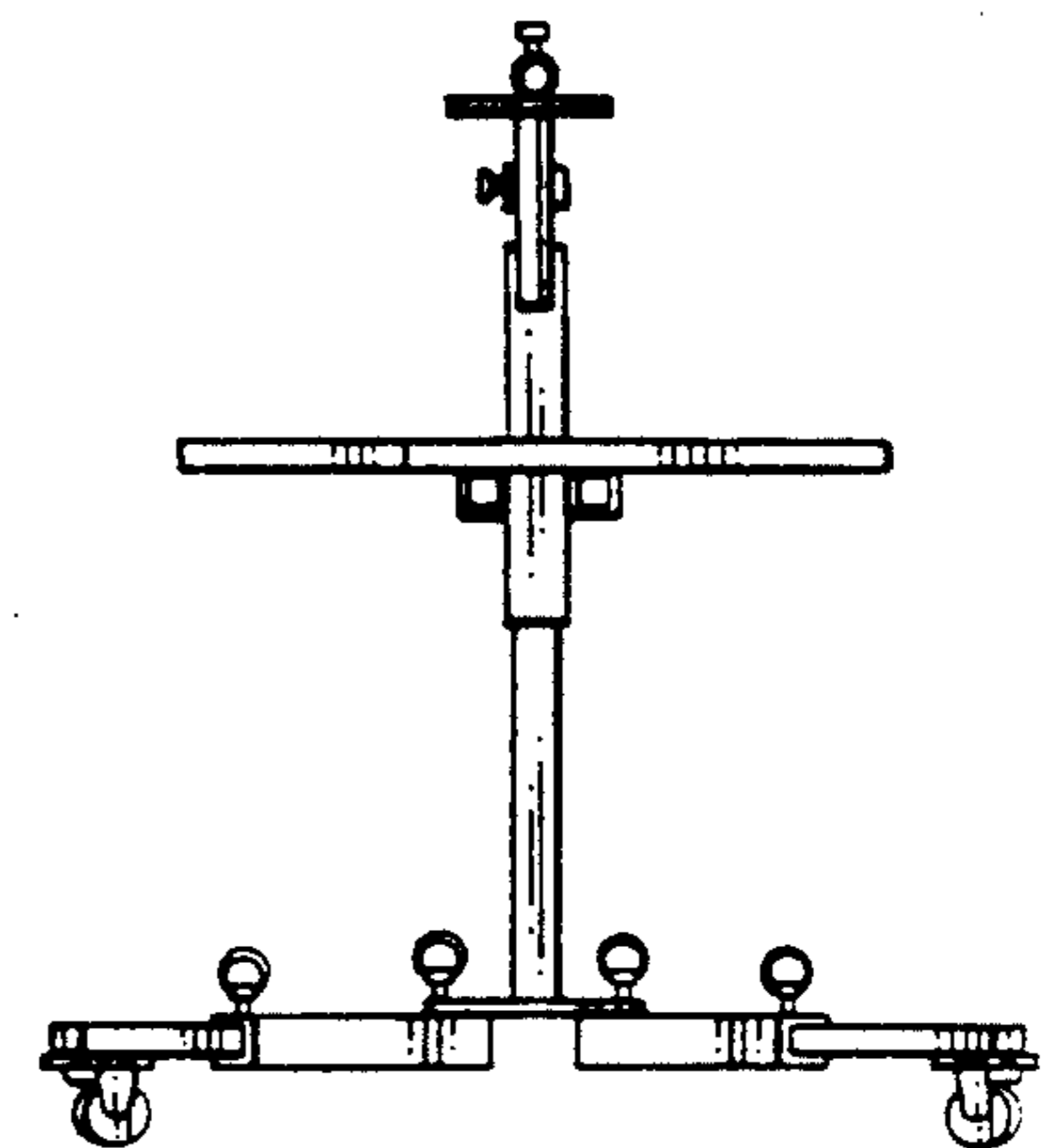


FIG. 4

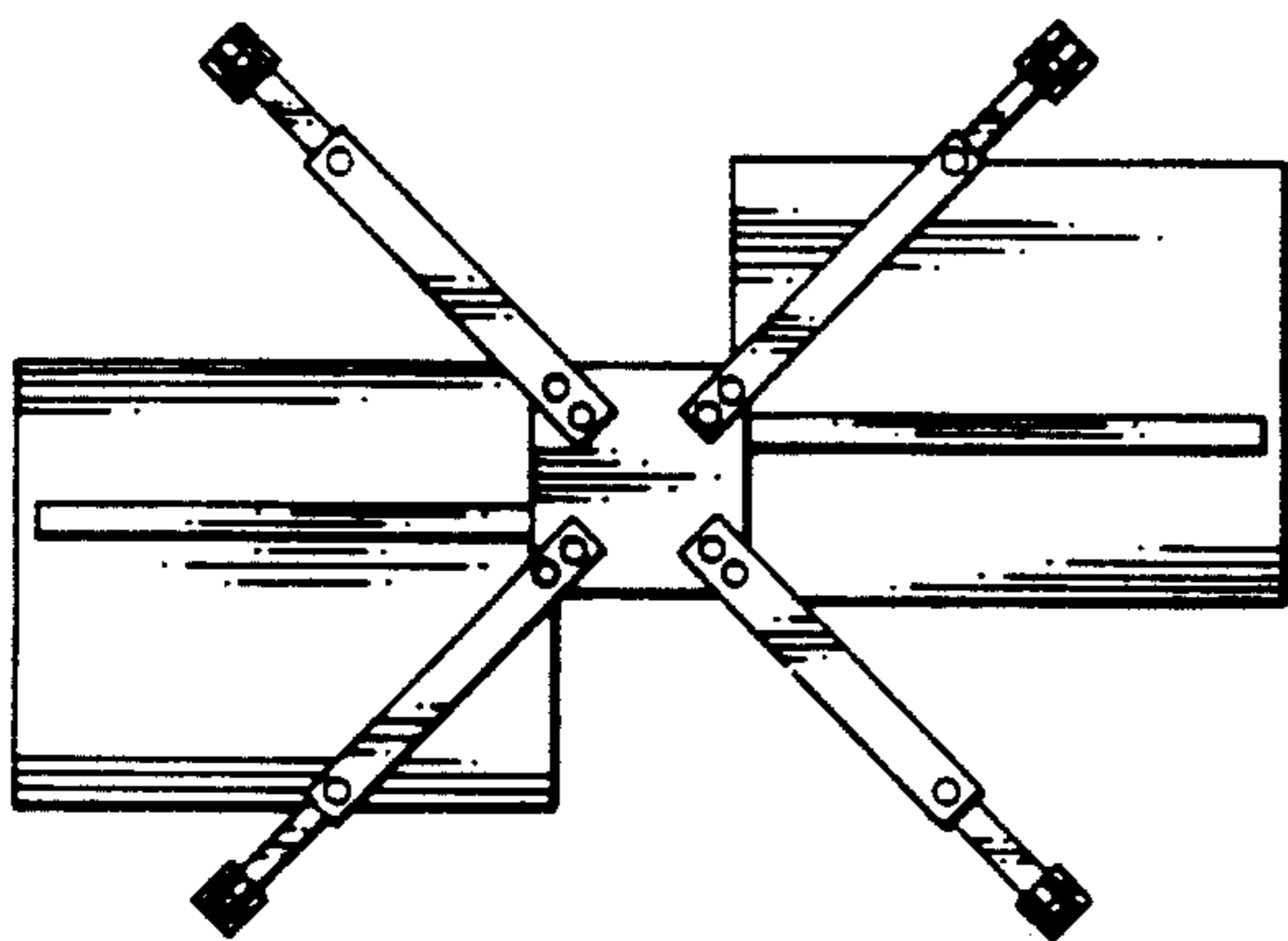


FIG. 5

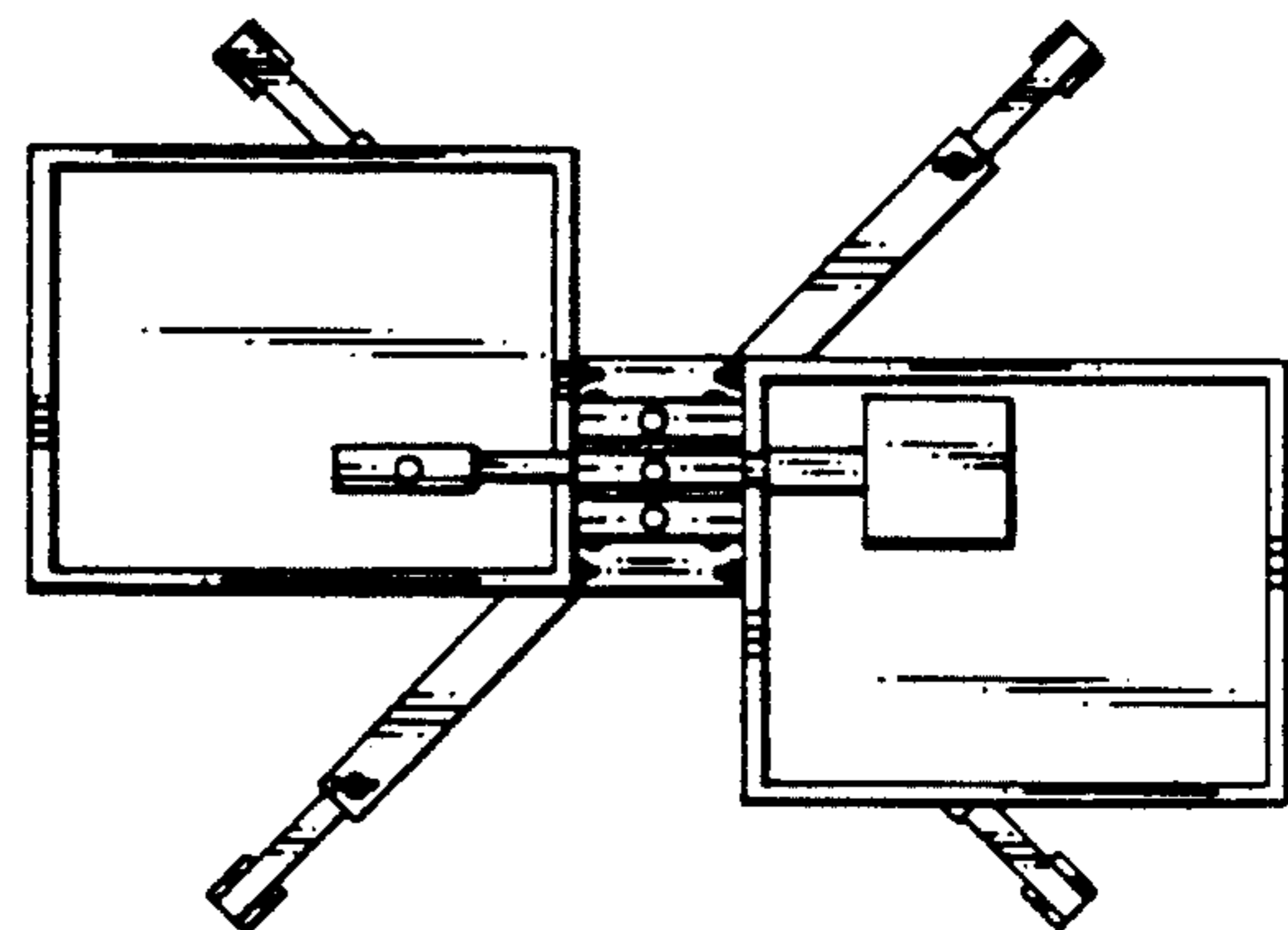


FIG. 6