



US00D345063S

# United States Patent [19]

[11] Patent Number: **Des. 345,063**

**Golod et al.**

[45] Date of Patent: **\*\* Mar. 15, 1994**

[54] **MODULAR COMPUTER TERMINAL DESK**

[75] Inventors: **Edward Golod**, Glen Head; **Robert Larson**, East Hills; **Martin J. Anderson**, Northport, all of N.Y.

[73] Assignee: **Infra-Structures, Inc.**, Brentwood, N.Y.

[\*\*] Term: **14 Years**

[21] Appl. No.: **708,640**

[22] Filed: **May 31, 1991**

[52] U.S. Cl. .... **D6/449; D6/485; D6/491**

[58] Field of Search ..... **D6/396, 422, 423-426, D6/449, 460, 509-511, 461, 455, 484, 485; 108/59, 111; 248/146, 163.1, 165; 312/195**

[56] **References Cited**

**U.S. PATENT DOCUMENTS**

D. 194,612	2/1963	Fuller et al. ....	D6/460 X
D. 199,436	10/1964	Nall .....	D6/511 X
D. 223,920	6/1972	Valeska .....	D6/511 X
D. 330,124	10/1992	Short .....	D6/396 X

*Primary Examiner*—Nelson C. Holtje  
*Assistant Examiner*—Jeffrey Asch  
*Attorney, Agent, or Firm*—Schweitzer Cornman & Gross

[57] **CLAIM**

The ornamental design for a modular computer terminal desk, as shown and described.

**DESCRIPTION**

FIG. 1 is a front perspective of a four station modular computer terminal desk showing our new design, the opposite side as well as the two lateral side views being mirror images thereof;

FIG. 2 is a bottom plan view thereof;

FIG. 3 is a perspective view of a first alternate two station embodiment of our design; and,

FIG. 4 is a perspective view of a second alternate one station embodiment of our design.

The broken line showings in FIGS. 1, 3 and 4 are for illustrative purposes only and form no part of the claimed design.

The under sides of the embodiments shown in FIGS. 3 and 4 are planar as best shown in FIG. 2.

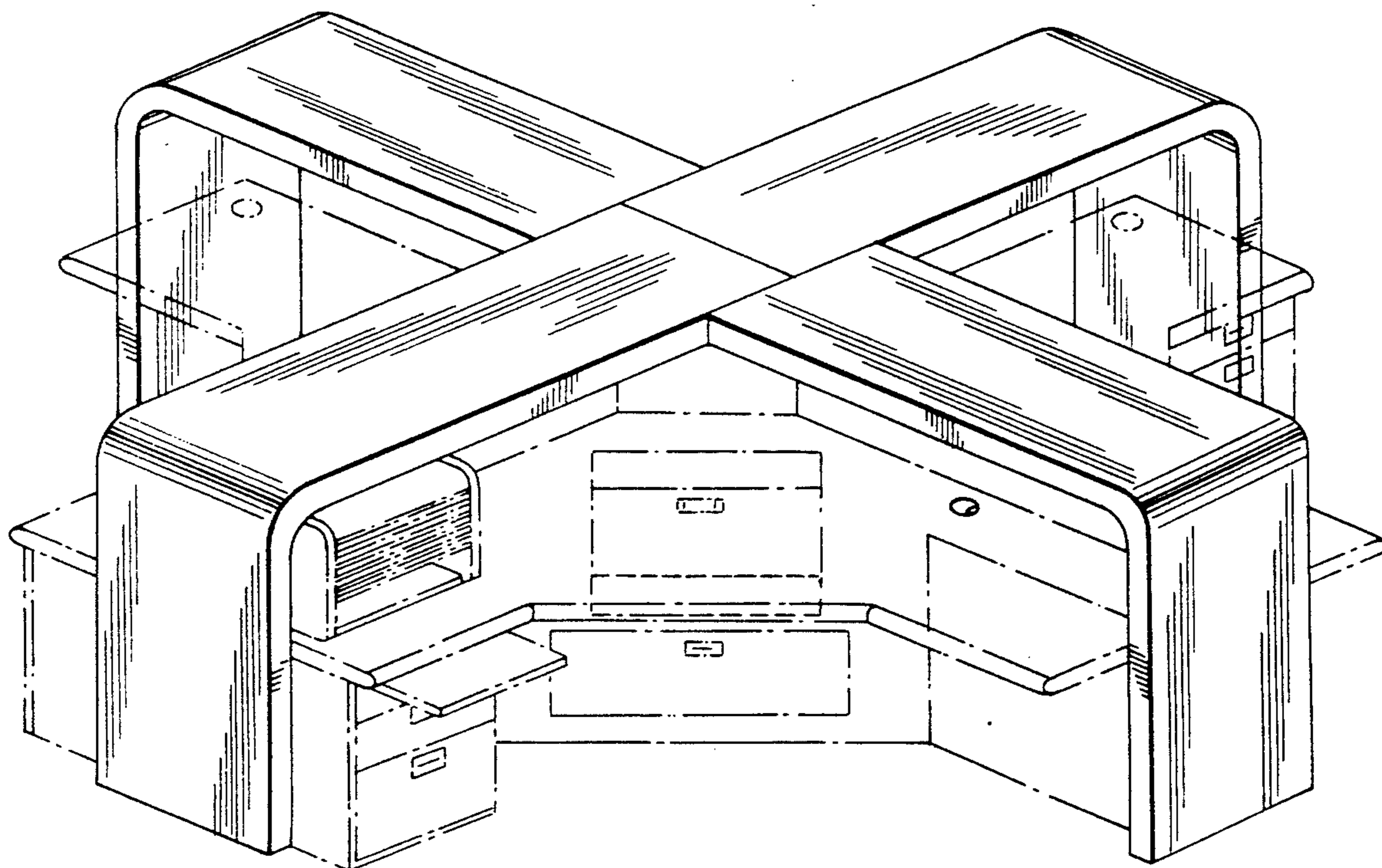
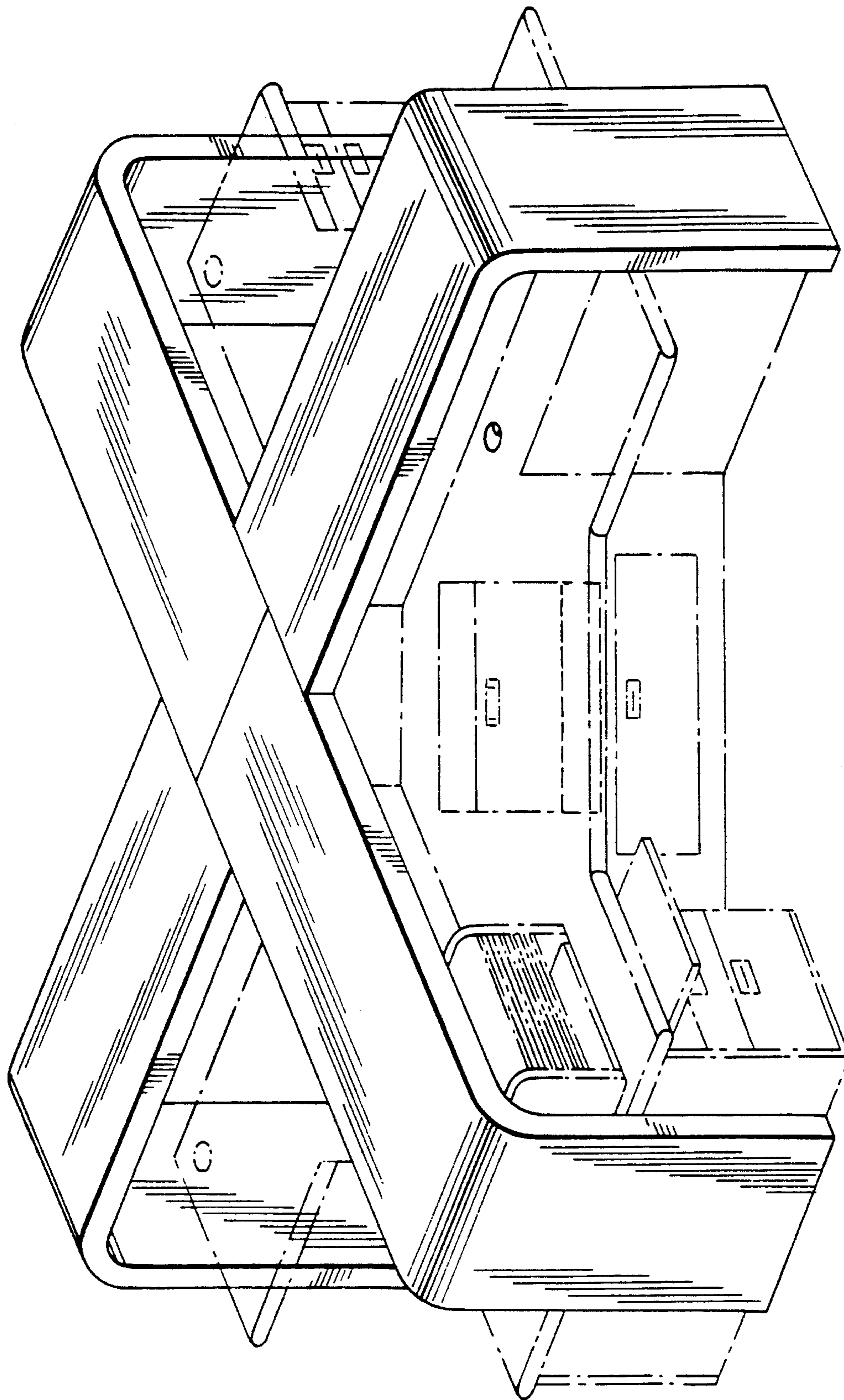


FIG. 1





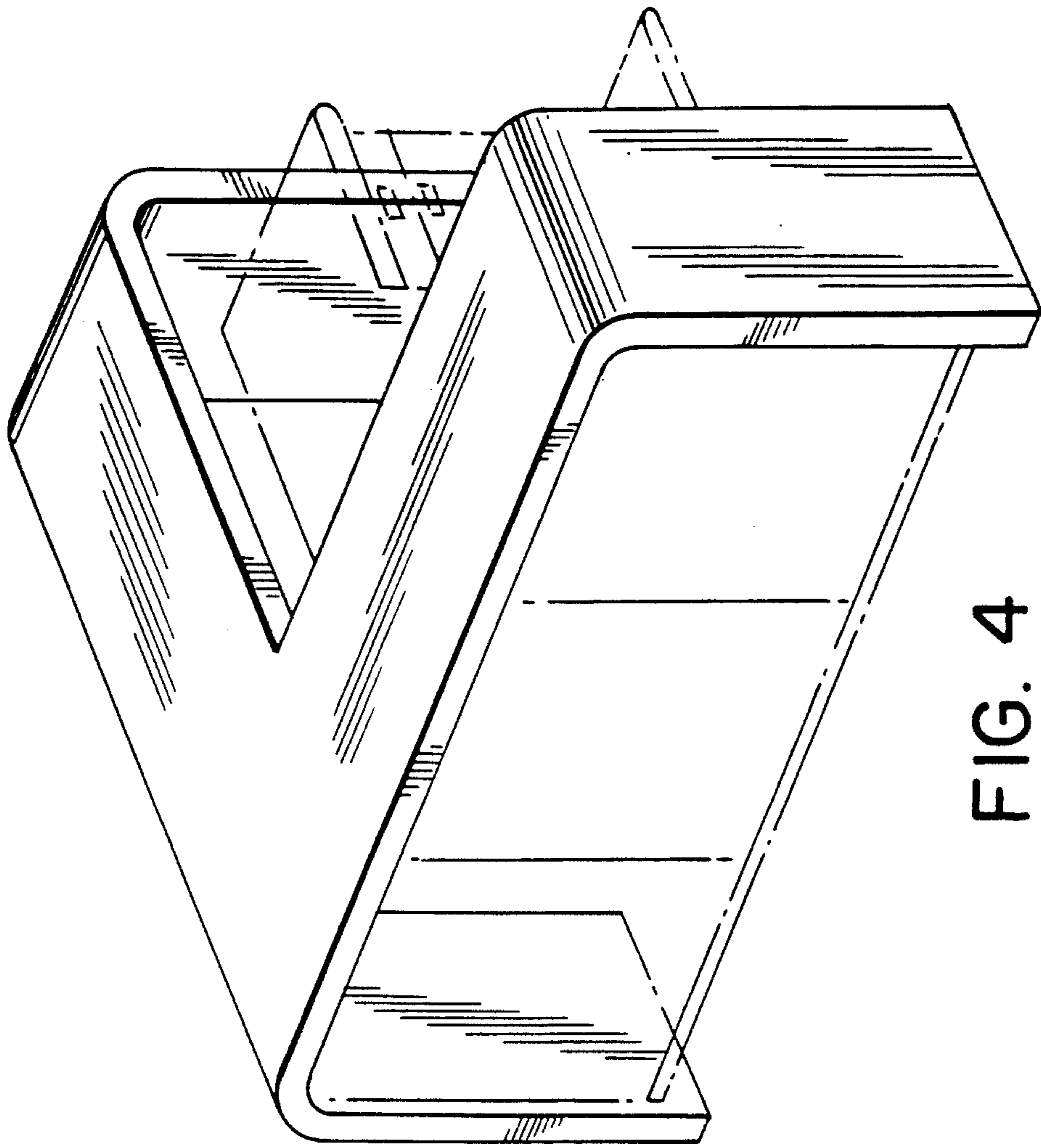


FIG. 4

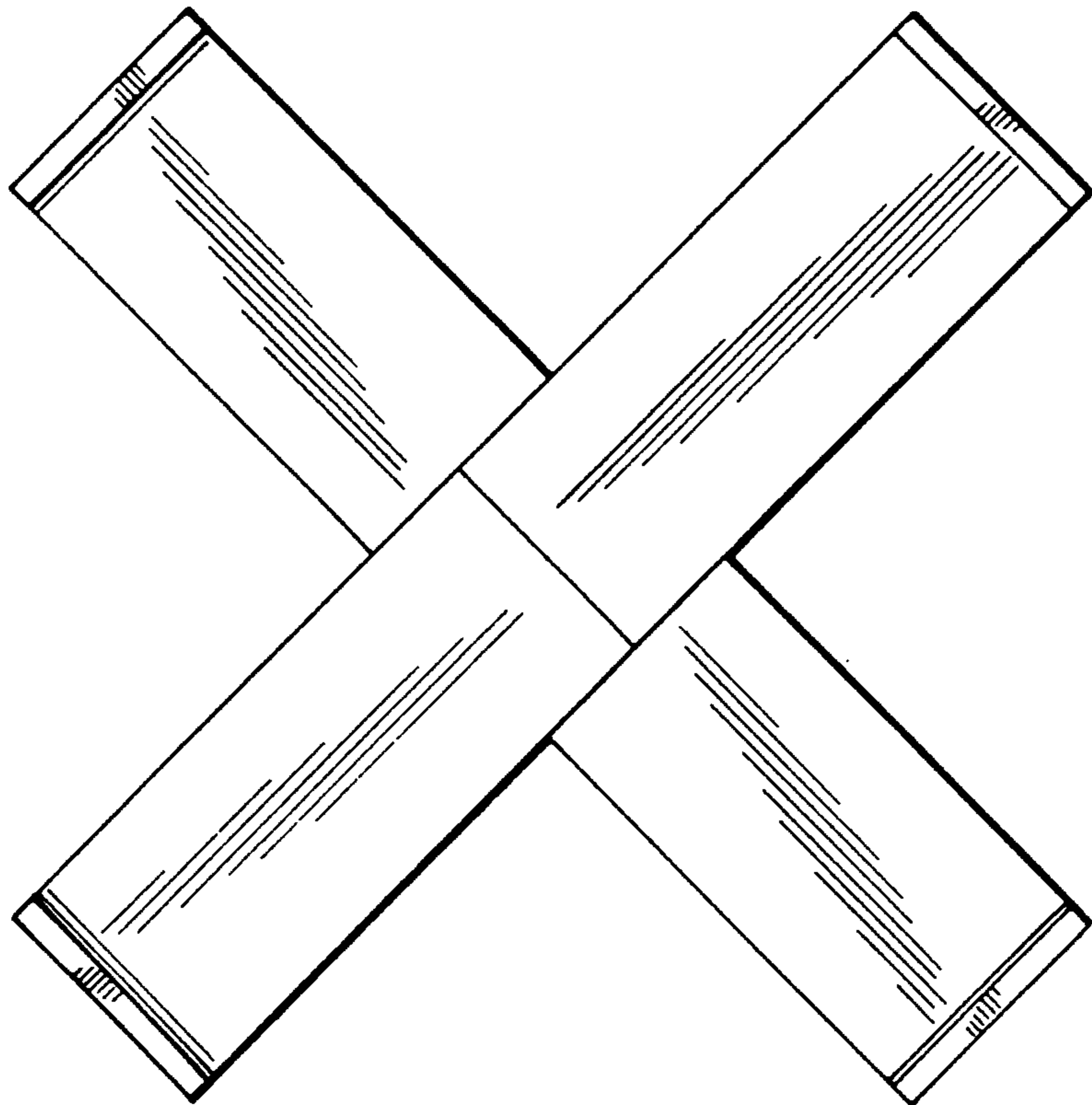


FIG. 2

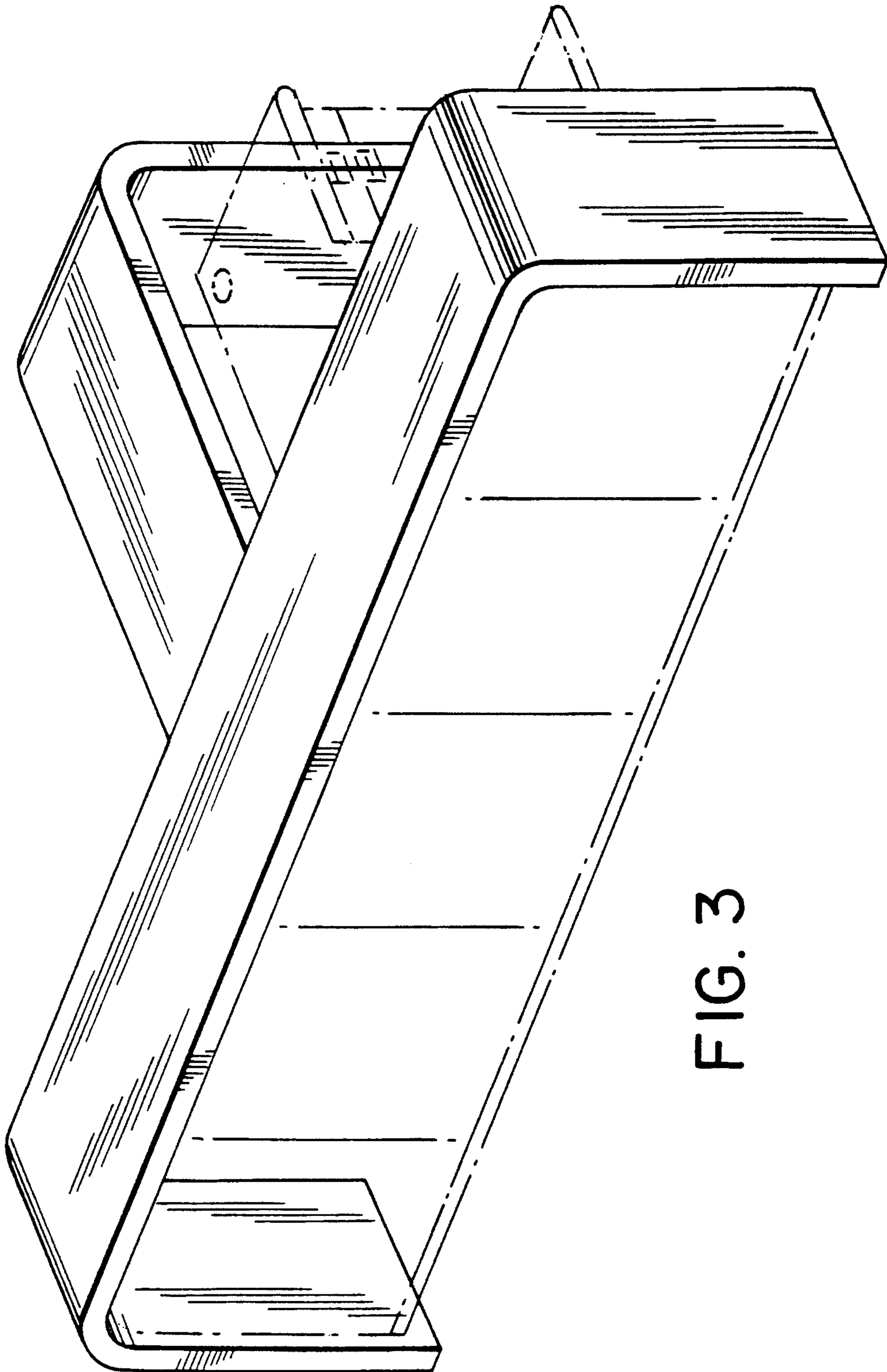


FIG. 3