



US00D345061S

United States Patent [19]

[11] Patent Number: **Des. 345,061**

Tyng

[45] Date of Patent: **** Mar. 15, 1994**

[54] **BED**

3,363,361 1/1968 Helfer 5/93.1 X

[75] Inventor: **Lin Y. Tyng**, Tay Shan Village, Taiwan

Primary Examiner—Nelson C. Holtje

Assistant Examiner—J. E. Seeger

[73] Assignee: **Chyuan Ji Enterprise Co., Ltd.**, Taipei, Taiwan

Attorney, Agent, or Firm—Morton J. Rosenberg; David I. Klein

[**] Term: **14 Years**

[57] **CLAIM**

[21] Appl. No.: **926,542**

The ornamental design for a bed, as shown and described.

[22] Filed: **Aug. 7, 1992**

DESCRIPTION

[52] U.S. Cl. **D6/393; D6/394**

FIG. 1 is a perspective view of a bed showing my new design;

[58] Field of Search **D6/382-384, D6/388-395, 505-508; 5/53.1, 53.2, 907, 414**

FIG. 2 is a front view thereof;

FIG. 3 is a rear elevational view thereof;

FIG. 4 is a left side elevational view thereof;

FIG. 5 is a right side elevational view thereof;

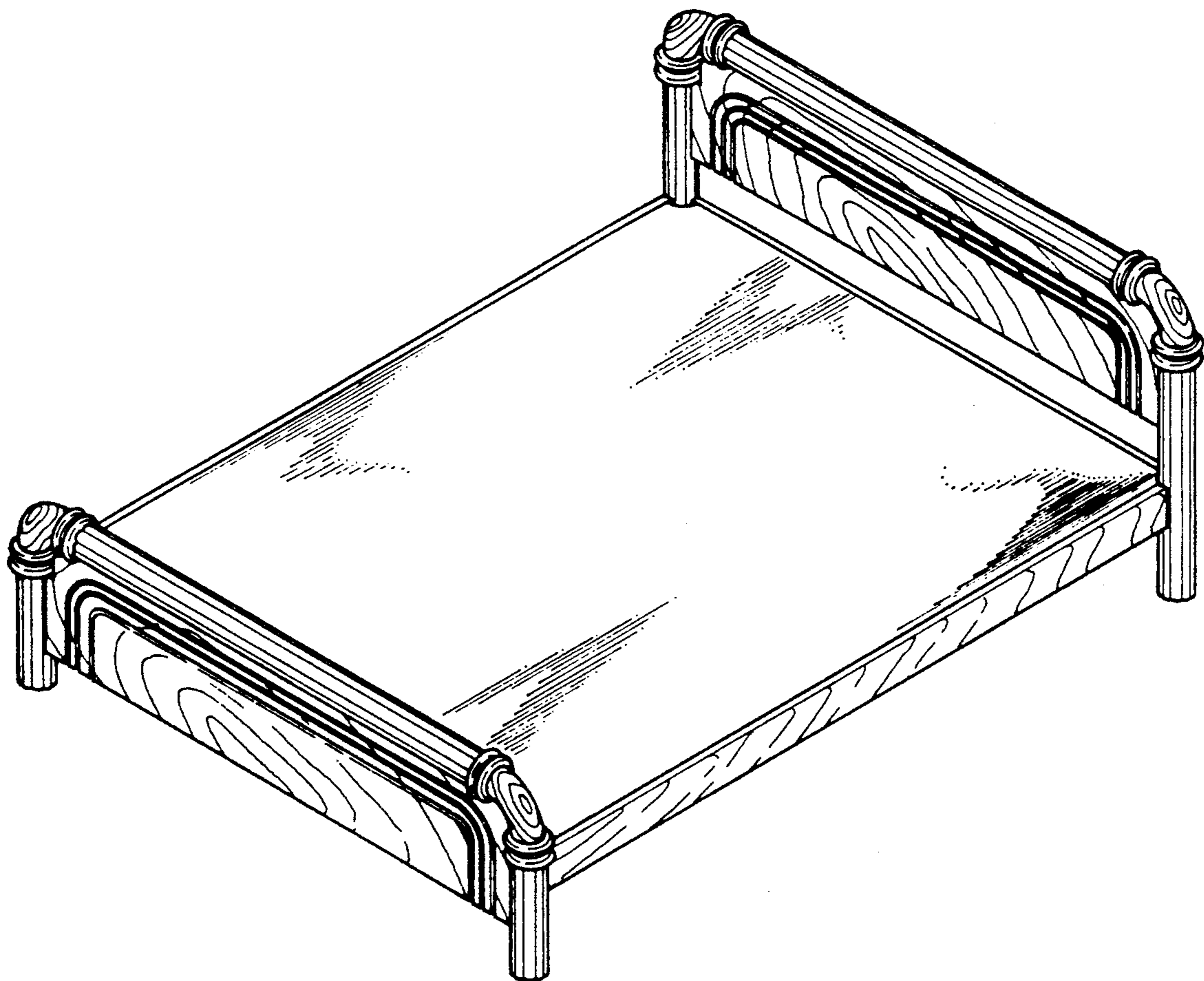
FIG. 6 is a top plan view thereof; and,

FIG. 7 is a bottom plan view thereof.

[56] **References Cited**

U.S. PATENT DOCUMENTS

- D. 90,256 7/1933 McClure D6/393
- D. 292,759 11/1987 Pell D6/392



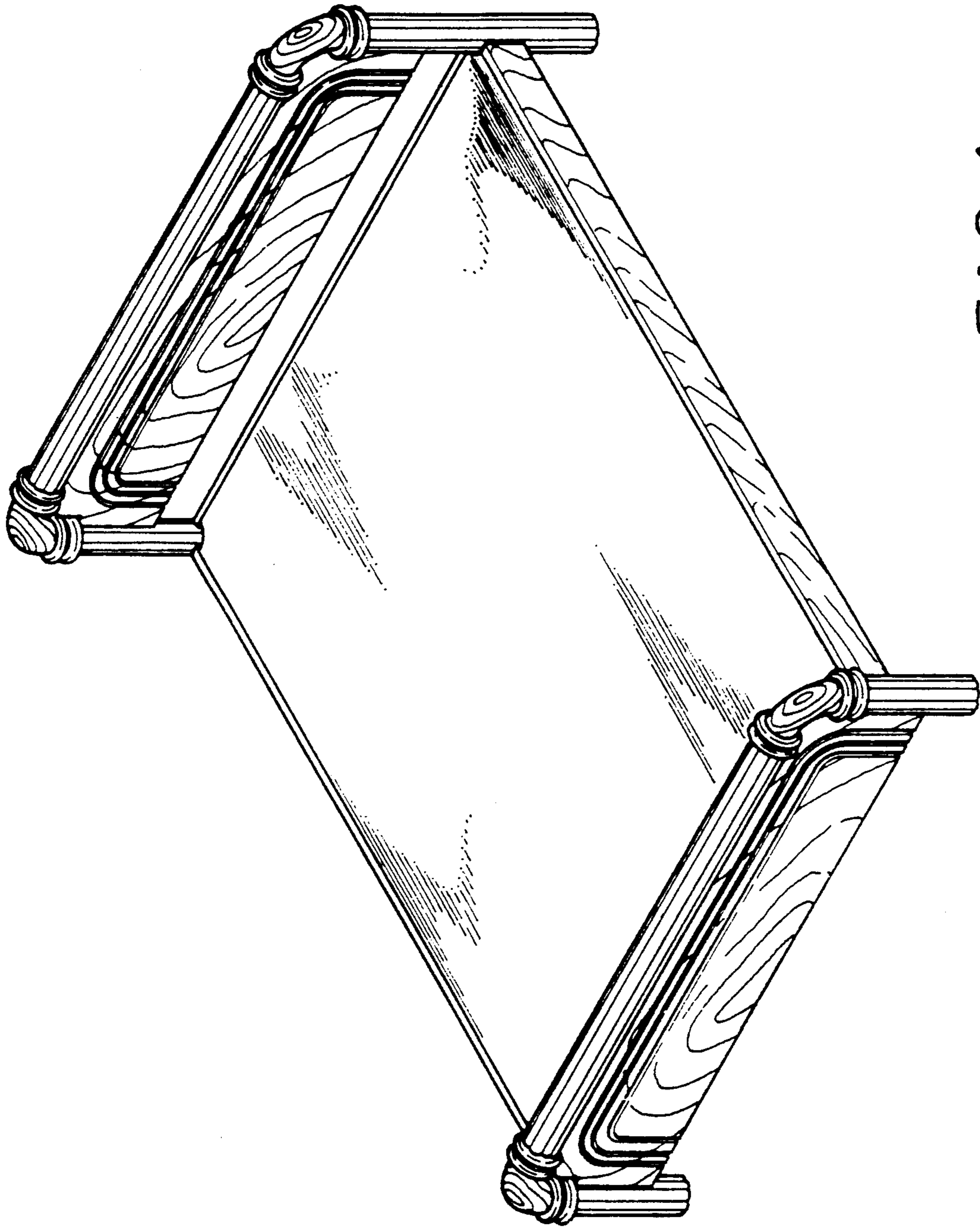


FIG 1

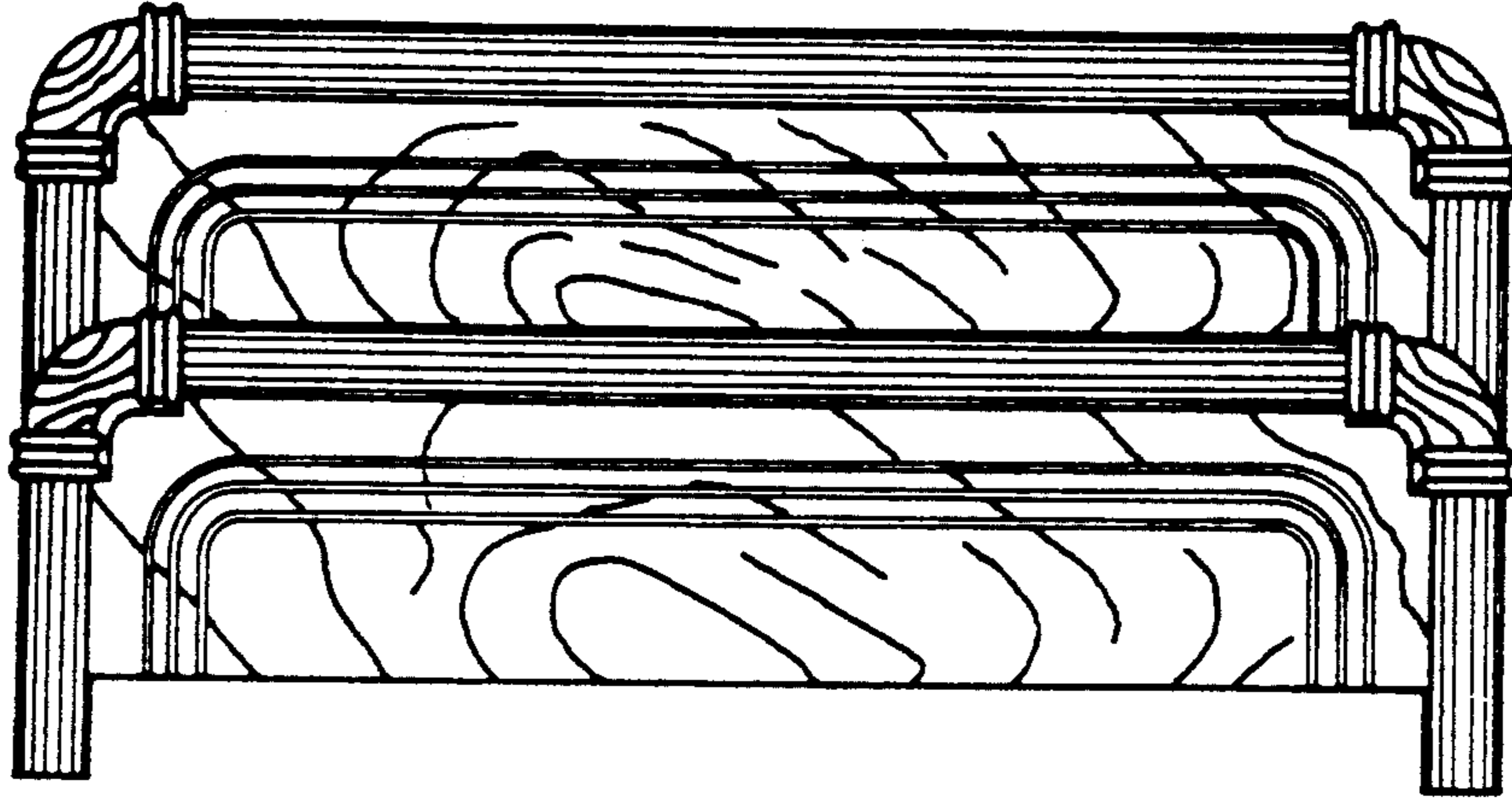


FIG 2

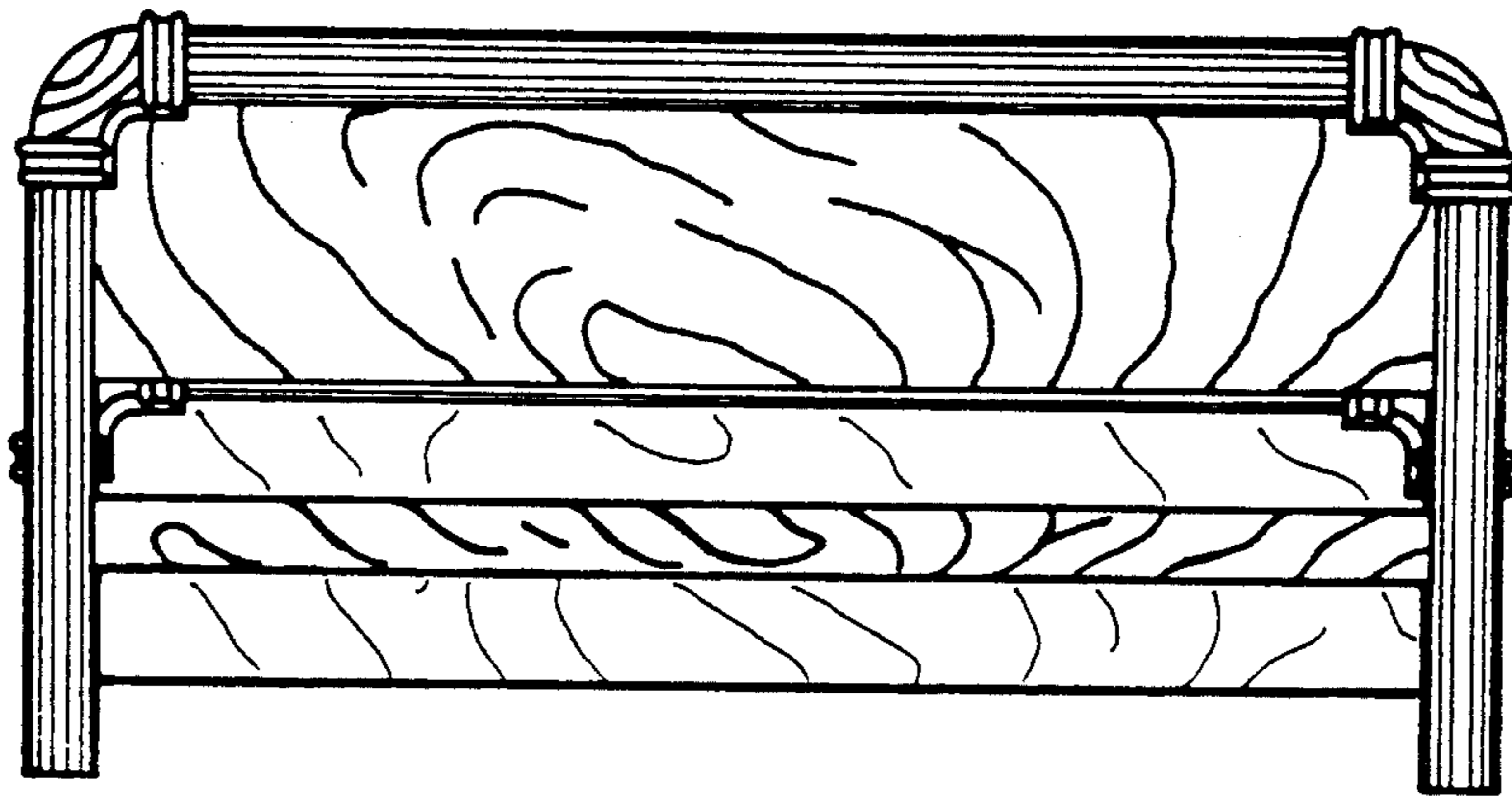


FIG 3

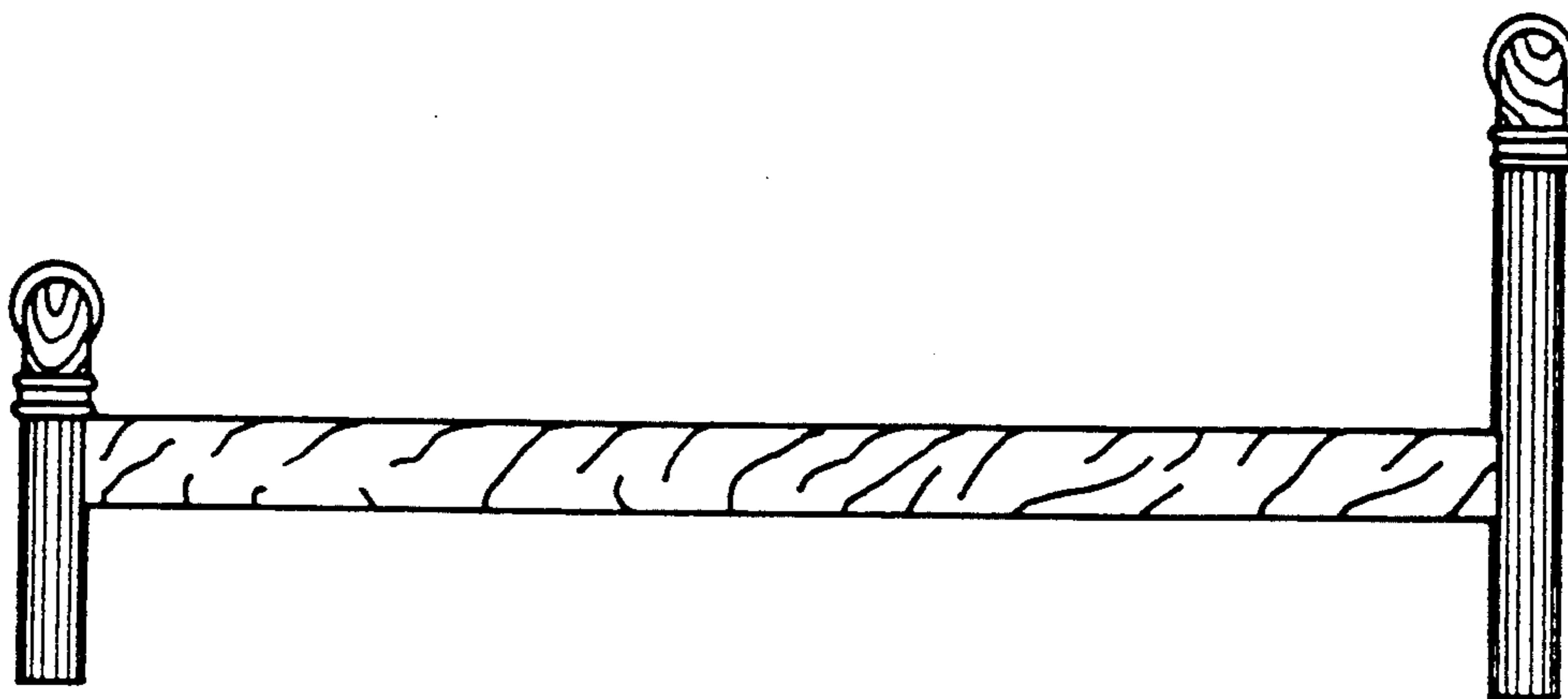


FIG 4

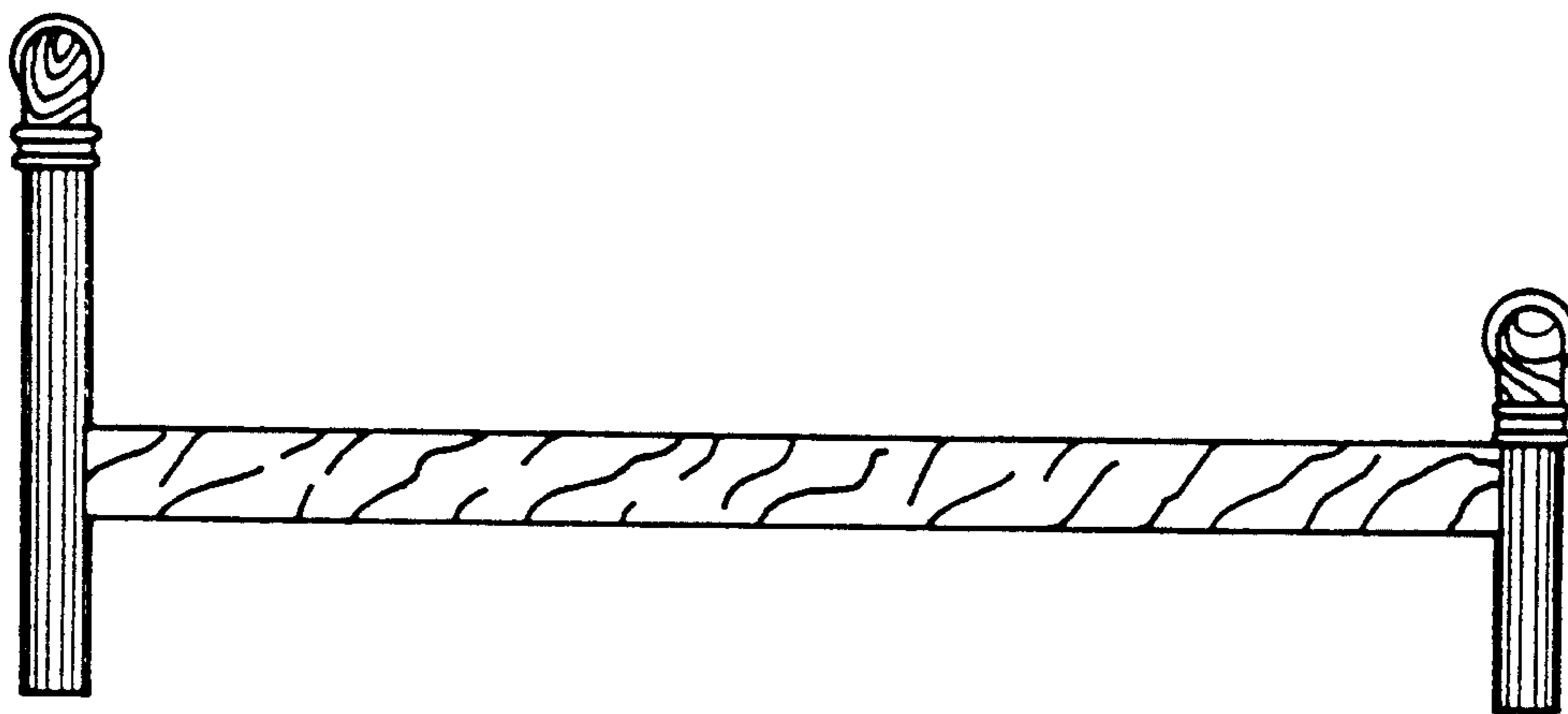


FIG 5

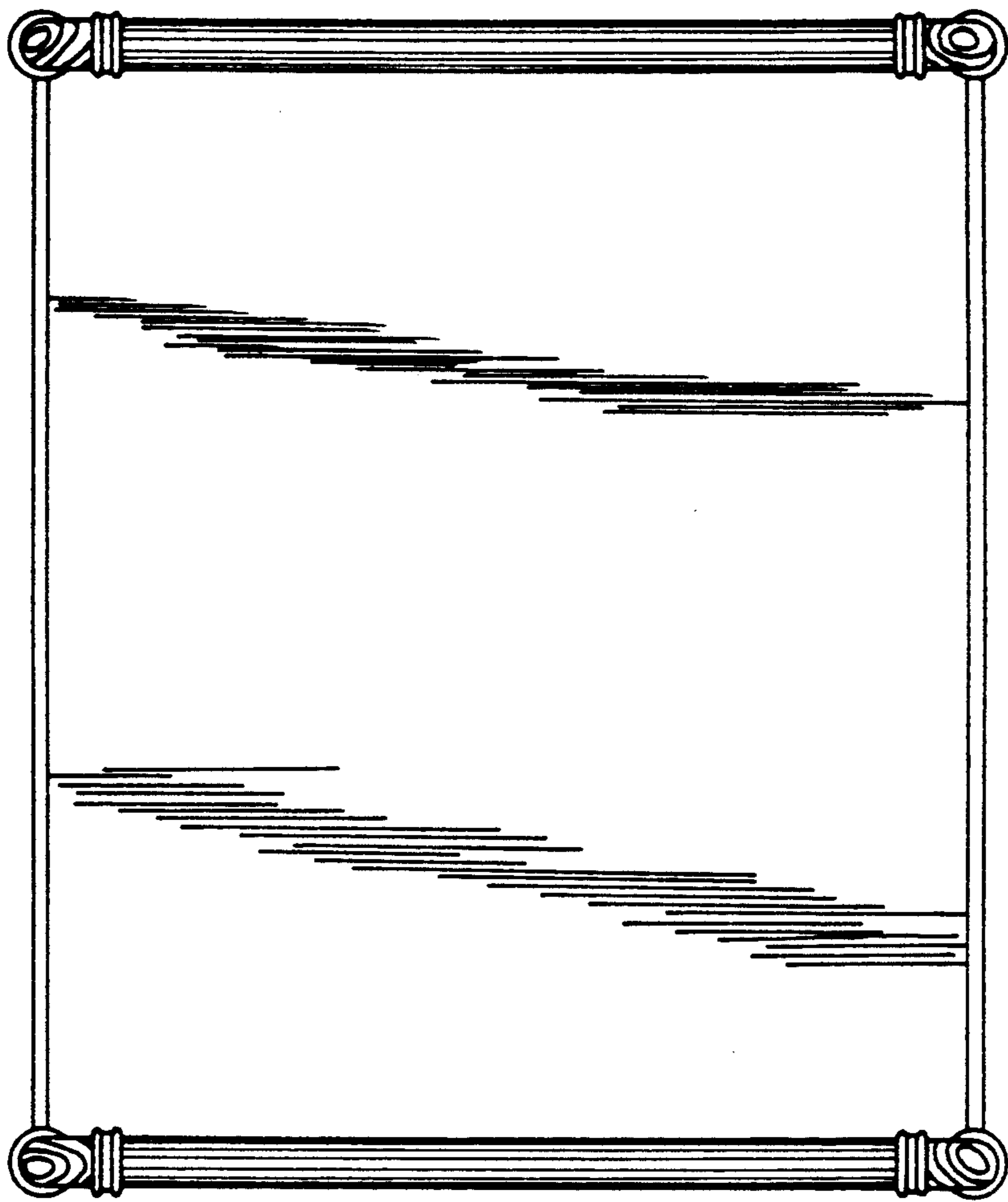


FIG 6

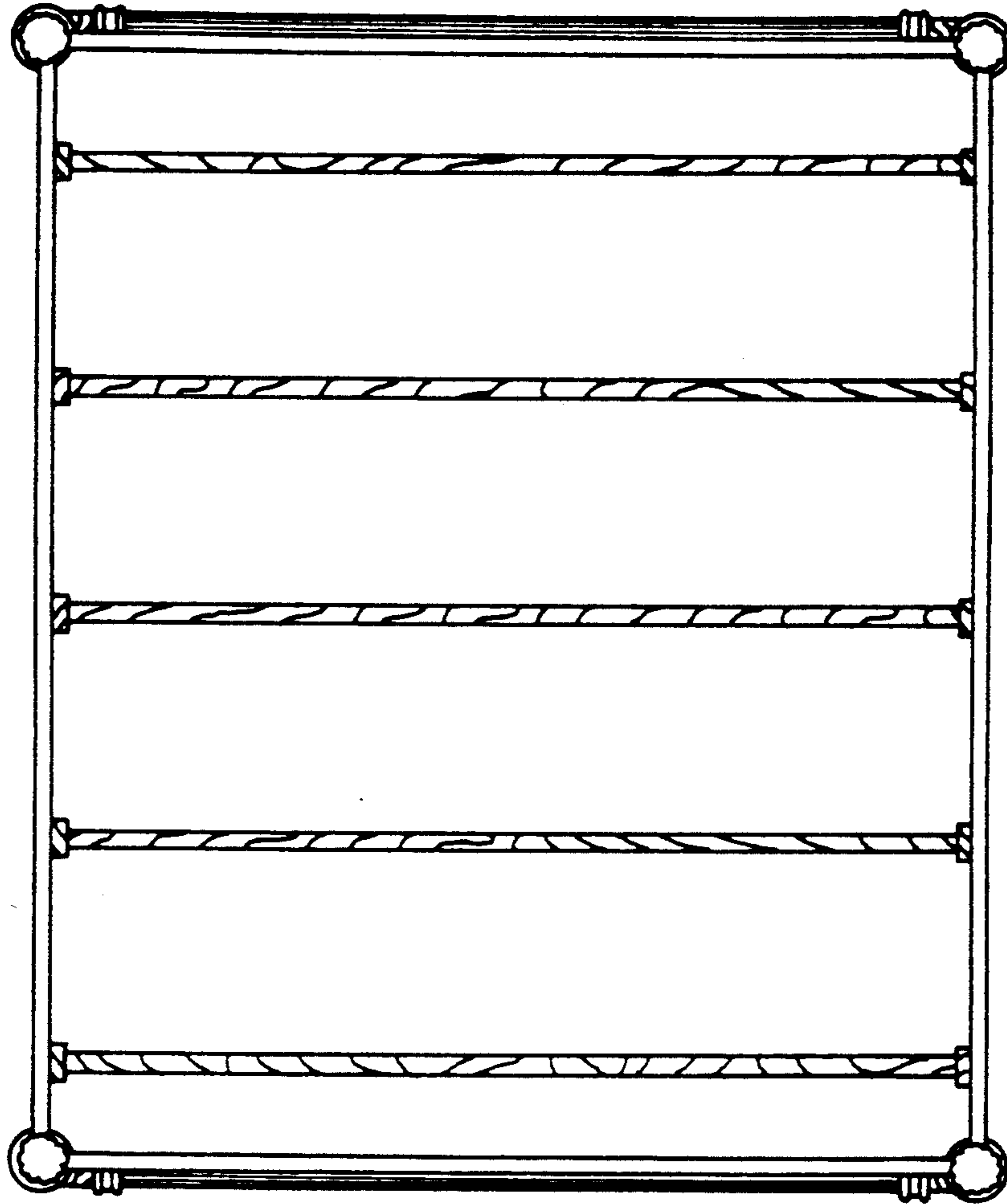


FIG 7