



US00D345058S

United States Patent [19]
Merritt

[11] **Patent Number: Des. 345,058**

[45] **Date of Patent: ** Mar. 15, 1994**

[54] **PAINTBRUSH HANDLE**

[76] **Inventor: Mark A. Merritt, 7818 Stillbrook La., Knoxville, Tenn. 37938**

[**] **Term: 14 Years**

[21] **Appl. No.: 900,108**

[22] **Filed: Jun. 17, 1992**

[52] **U.S. Cl. D4/138; D4/132**

[58] **Field of Search D4/129-132, D4/135, 138; 15/143.1, 159.1, 160, 145, 191.1, 192-193**

[56] **References Cited**

U.S. PATENT DOCUMENTS

- D. 199,520 11/1964 Jones D4/129
- D. 255,845 7/1980 Wood D4/132
- D. 274,147 6/1984 Jacobson D4/130 X
- D. 292,244 10/1987 Roberts et al. D4/129

FOREIGN PATENT DOCUMENTS

3004708 8/1980 Fed. Rep. of Germany 15/145

Primary Examiner—Wallace R. Burke
Assistant Examiner—Lavone D. Tabor
Attorney, Agent, or Firm—James A. Hinkle

[57] **CLAIM**

The ornamental design for a paintbrush handle, as shown and described.

DESCRIPTION

FIG. 1 is a perspective view of a paintbrush handle showing my new design;
FIG. 2 is a side elevational view thereof, the opposite side being a mirror image;
FIG. 3 is a rear elevational view thereof;
FIG. 4 is a front elevational view thereof;
FIG. 5 is a top plan view thereof; and,
FIG. 6 is a bottom plan view thereof.
The broken line showing of a paintbrush head is for illustrative environmental purposes only and forms no part of the claimed design.

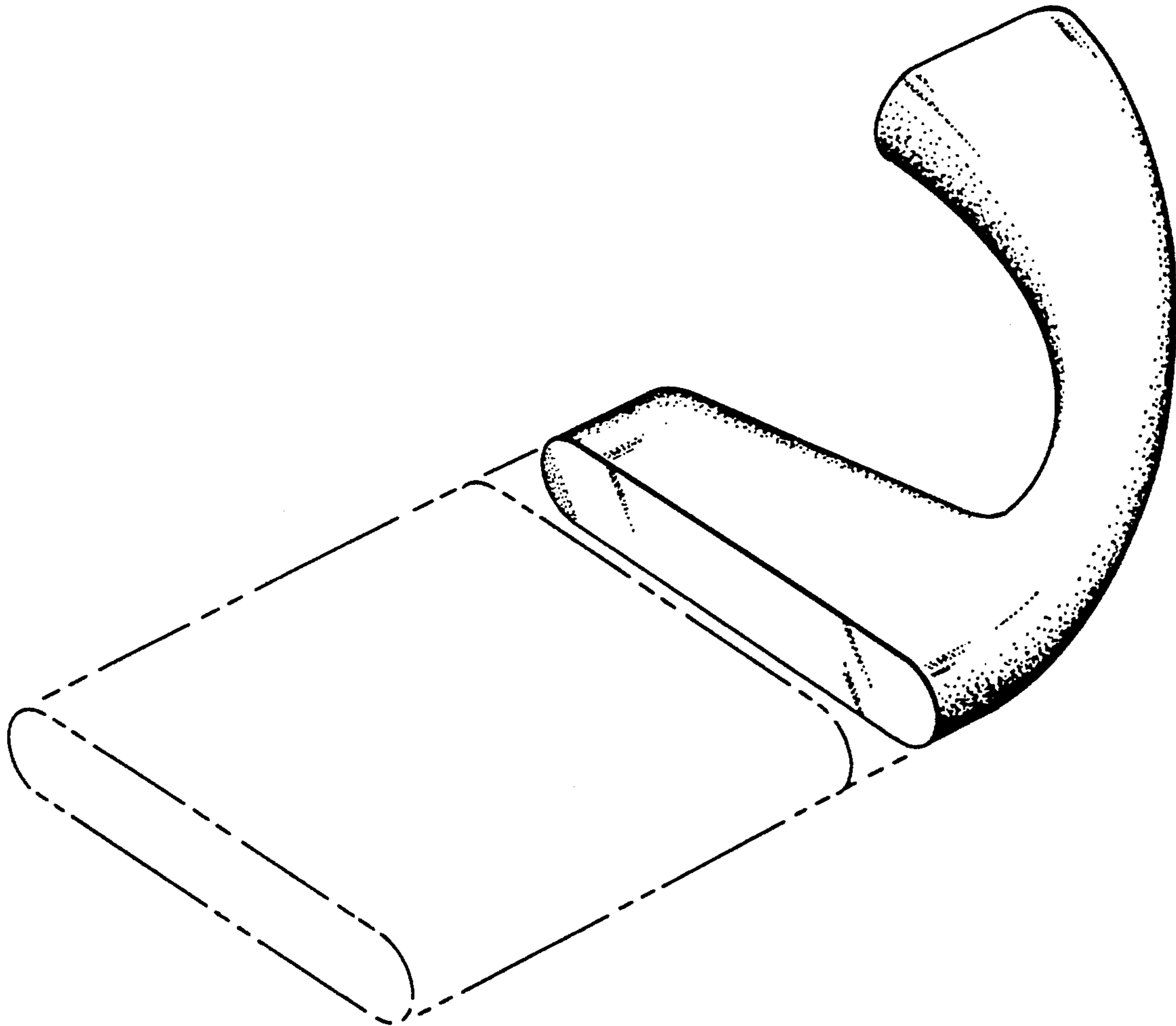


Fig. 1

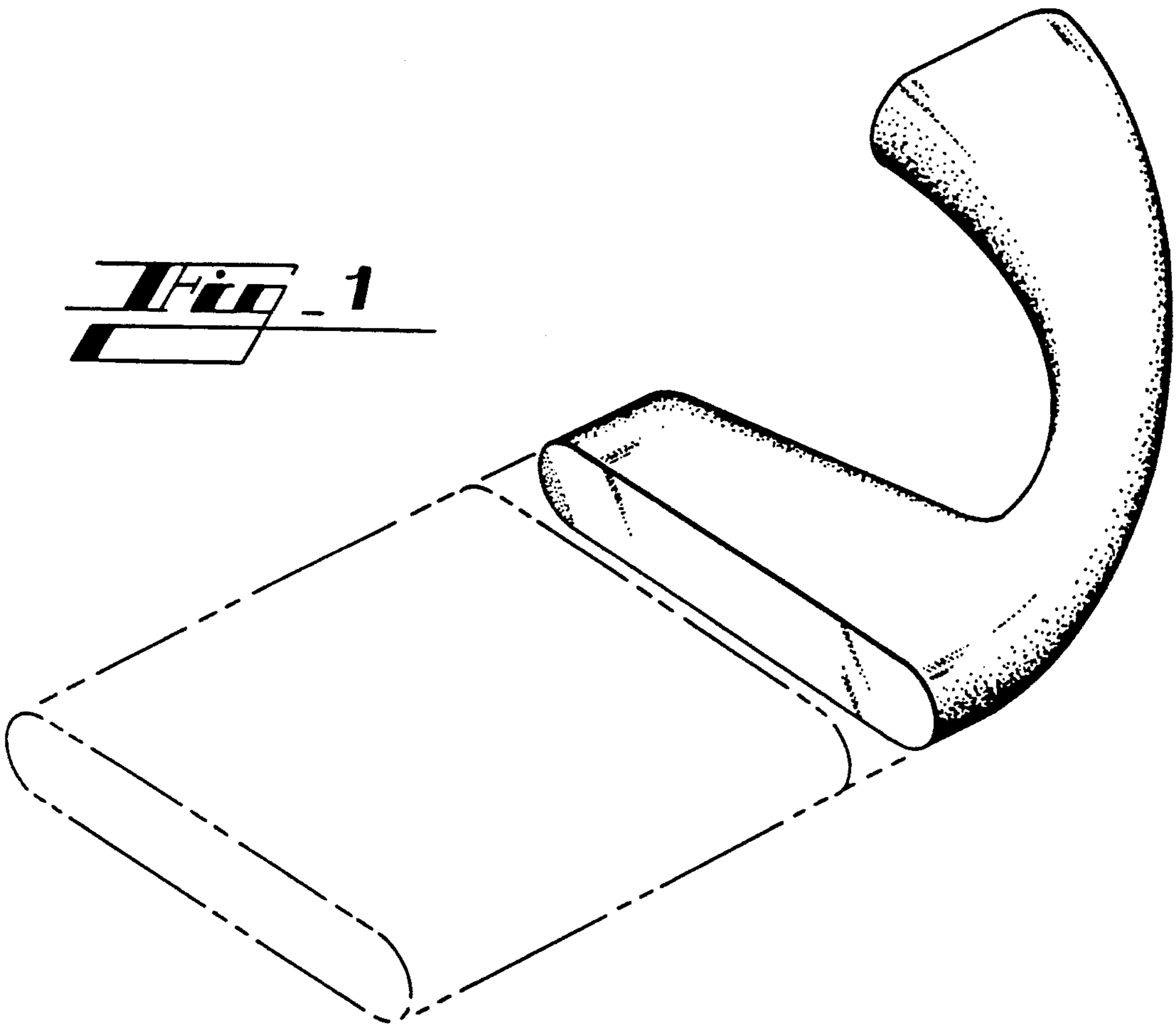


Fig. 2

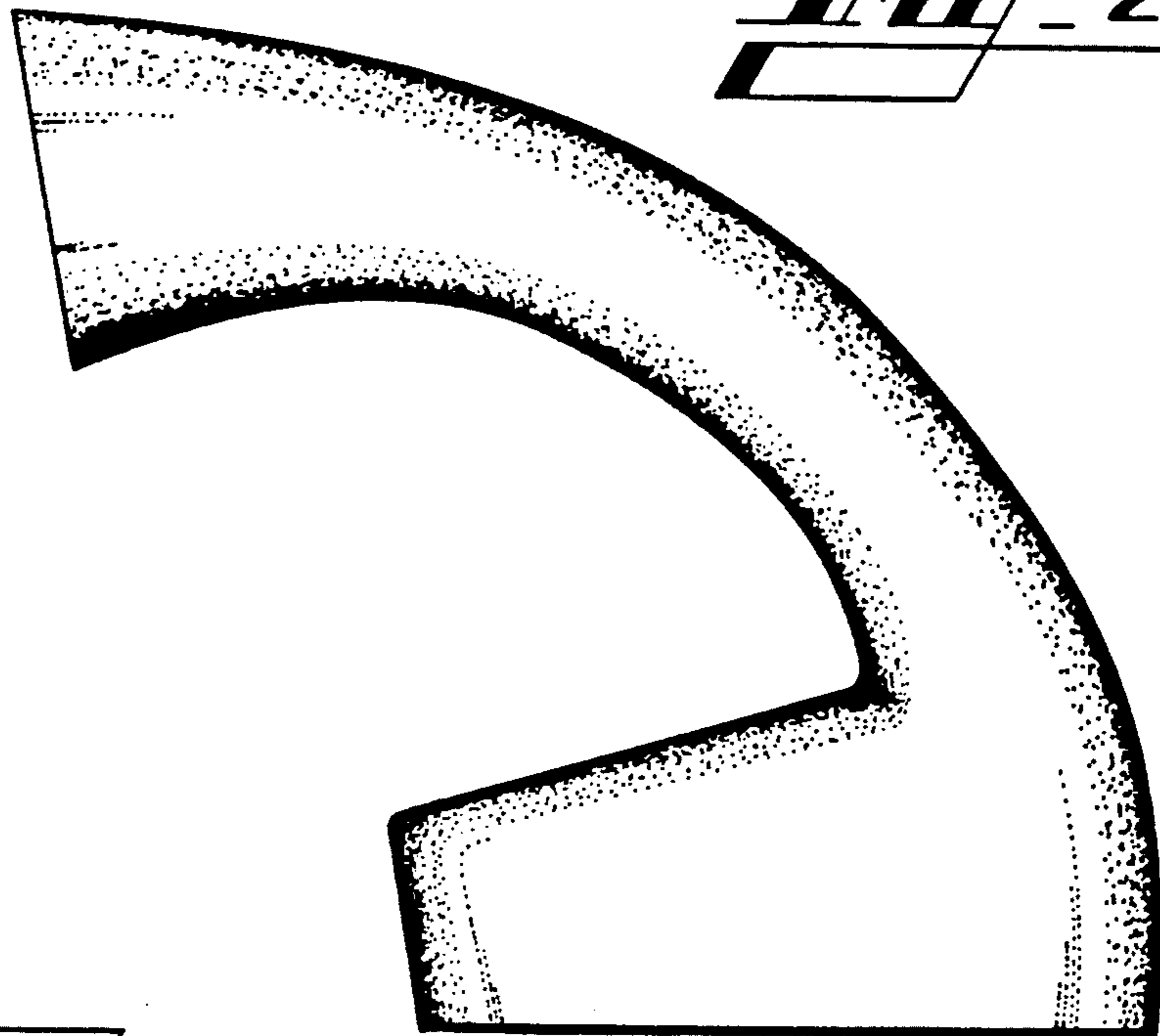
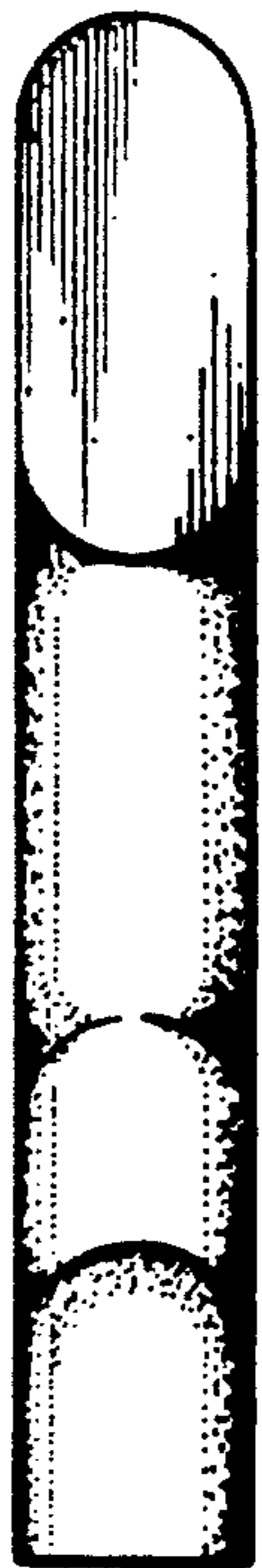


Fig. 3



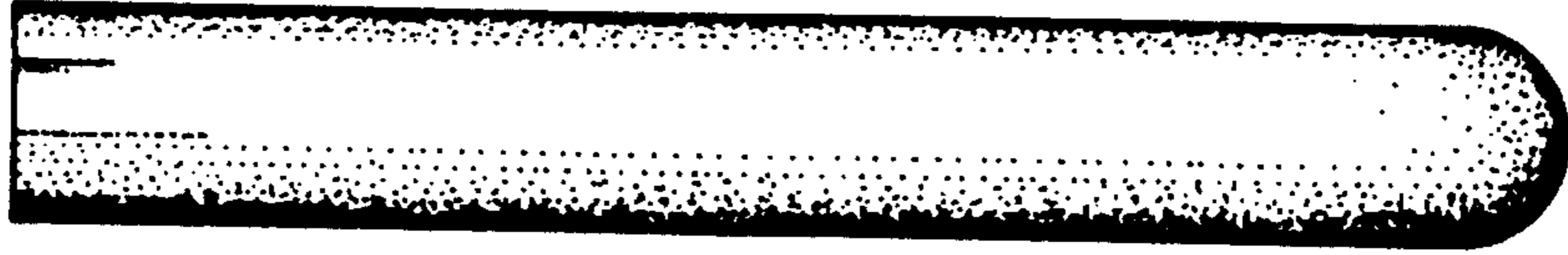


Fig. 5

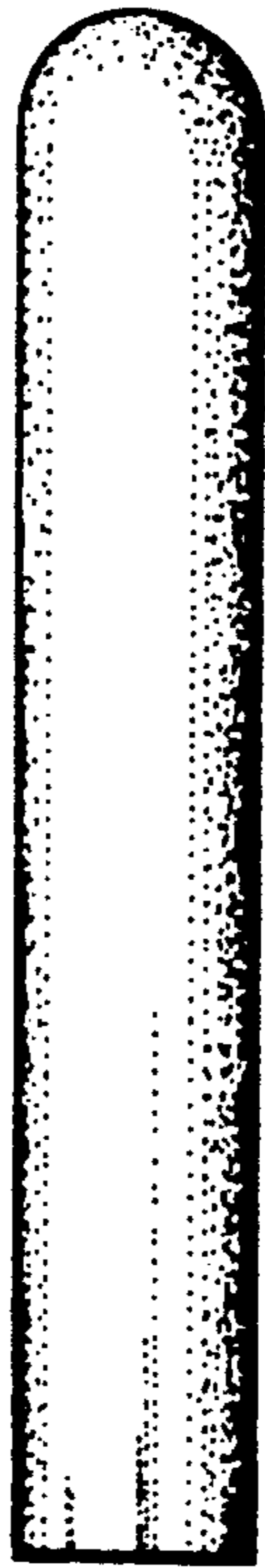


Fig. 4

Fig. 6

