



US00D345057S

United States Patent [19]

Hopkins et al.

[11] Patent Number: Des. 345,057

[45] Date of Patent: ** Mar. 15, 1994

[54] SNOW BRUSH

4,041,564 8/1977 Schlicher 15/111
4,719,660 1/1988 Hopkins 15/105

[75] Inventors: **Kenneth L. Hopkins; Samuel B. Kemple; Michael D. Swan**, all of Emporia, Kans.

Primary Examiner—Wallace R. Burke
Assistant Examiner—Lavone D. Tabor
Attorney, Agent, or Firm—Hovey, Williams, Timmons & Collins

[73] Assignee: **Hopkins Manufacturing Corporation**, Emporia, Kans.

[**] Term: **14 Years**

[57] **CLAIM**

[21] Appl. No.: **6,074**

The ornamental design for a snow brush, as shown and described.

[22] Filed: **Mar. 23, 1993**

DESCRIPTION

Related U.S. Application Data

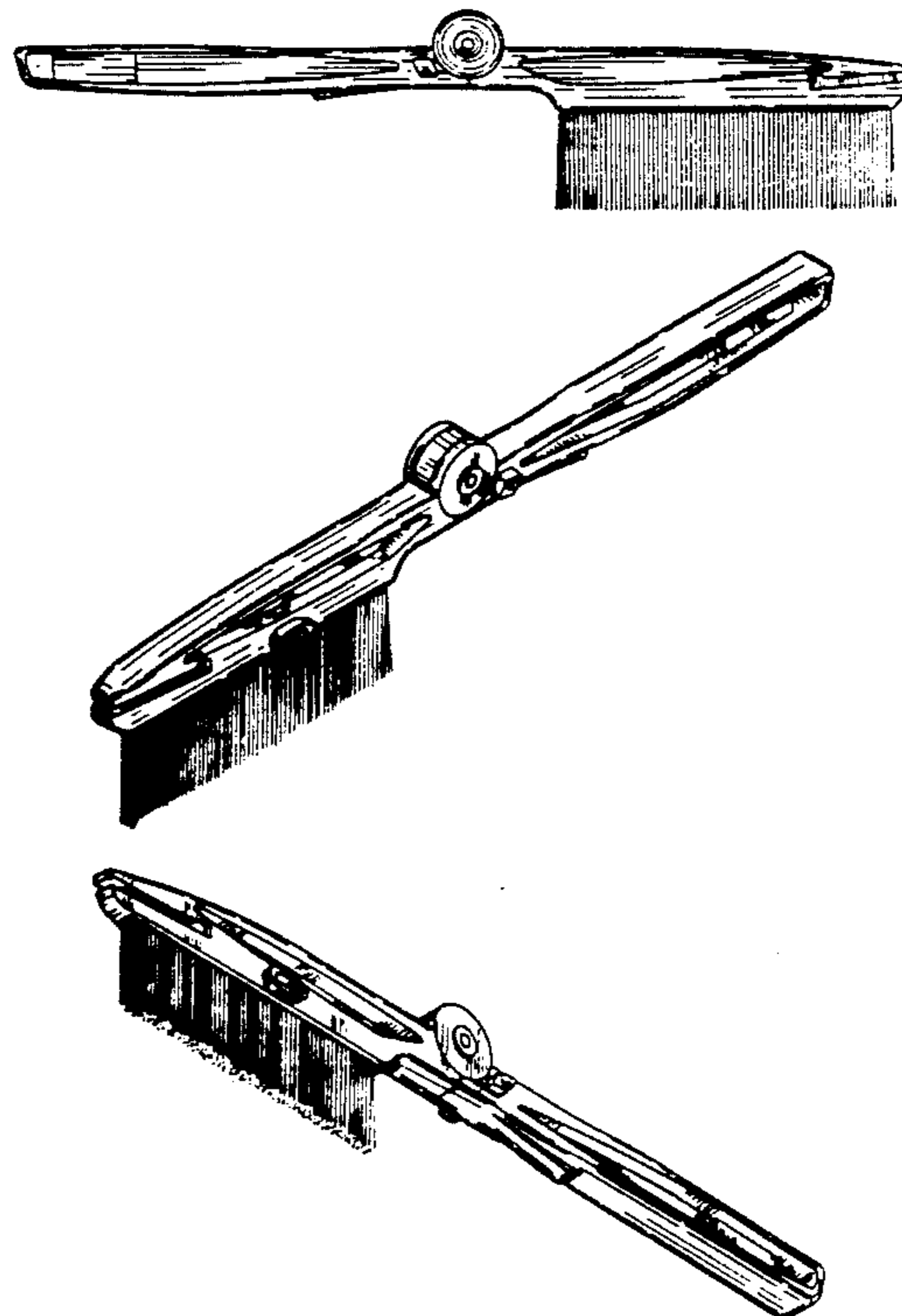
[63] Continuation of Ser. No. 715,373, Jun. 14, 1991, Pat. No. Des. 336,783, which is a continuation-in-part of Ser. No. 574,928, Aug. 30, 1990, Pat. No. Des. 337,436.
[52] U.S. Cl. **D4/121; D4/134**
[58] Field of Search **D4/121, 130, 132, 134, D4/138; 15/143.1, 144.1, 159.1, 160, 203**

FIG. 1 is a top plan view of a snow brush showing our new design;
FIG. 2 is a bottom plan view thereof;
FIG. 3 is a left side elevational view thereof;
FIG. 4 is a right side elevational view thereof;
FIG. 5 is a front end elevational view thereof;
FIG. 6 is a rear end elevational view thereof;
FIG. 7 is a left side elevational view of the snow brush with the foldable handle in its folded condition;
FIG. 8 is a right side elevational view thereof with the handle in its folded condition;
FIG. 9 is a top plan view thereof with the handle in its folded condition;
FIG. 10 is a bottom plan view thereof with the handle in its folded condition;
FIG. 11 is a rear end elevational view thereof with the handle in its folded condition;
FIG. 12 is a front end elevational view thereof with the handle in its folded condition;
FIG. 13 is a top left front perspective view of the snow brush with the handle in its unfolded condition; and,
FIG. 14 is a bottom left front perspective view of the snow brush with the handle in its unfolded condition.

[56] **References Cited**

U.S. PATENT DOCUMENTS

146,713 1/1874 Ryan 15/145
D. 258,779 4/1981 Hopkins et al. D4/118
D. 265,269 7/1982 Frantz D4/118
D. 267,291 12/1982 Hopkins et al. D4/134
D. 269,054 5/1983 Bauer D4/118
D. 327,368 6/1992 Zierhut D4/121
511,769 1/1894 Gladding 15/145
1,887,913 11/1932 Bell 15/145 X
2,719,995 10/1952 Hohenstein 15/105
2,792,584 5/1957 Fryda 15/111 X
3,017,649 1/1962 Racicot 15/105
3,051,975 9/1962 Schwartz 15/105



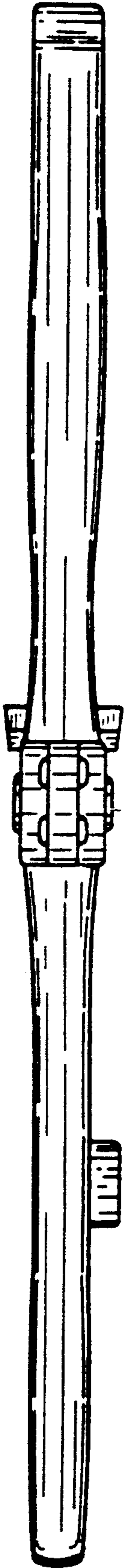


FIG. 1

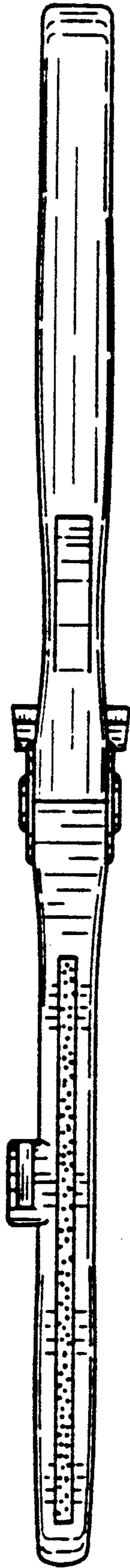


FIG. 2

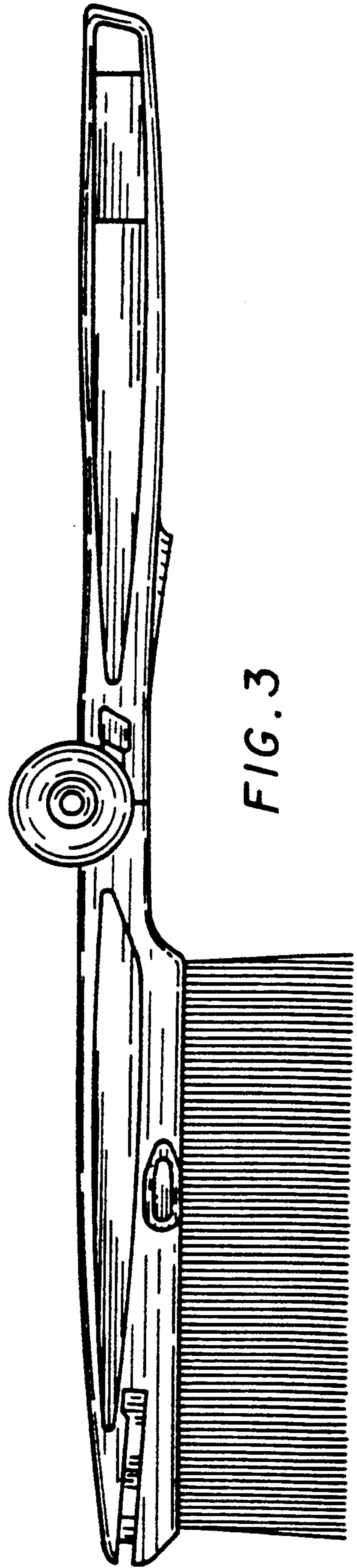


FIG. 3

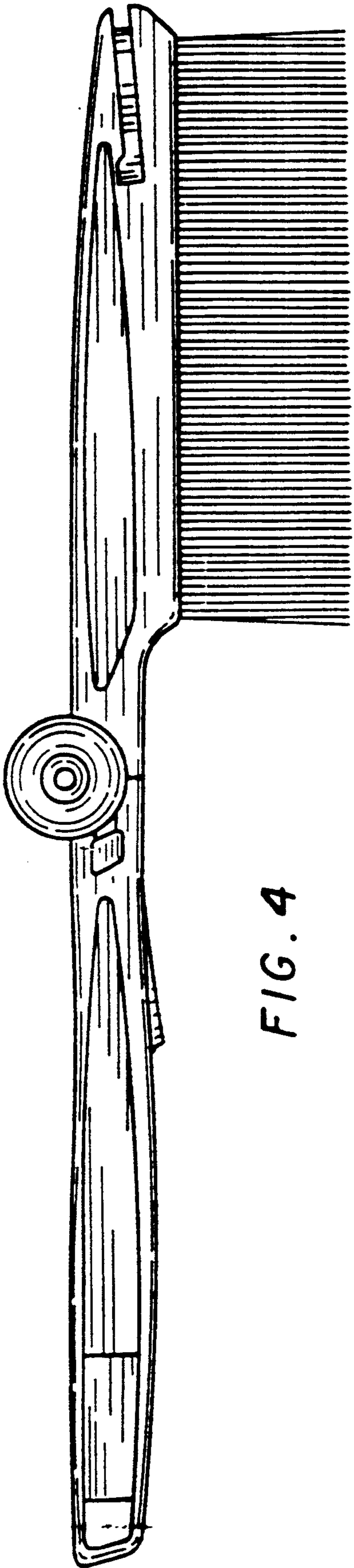


FIG. 4

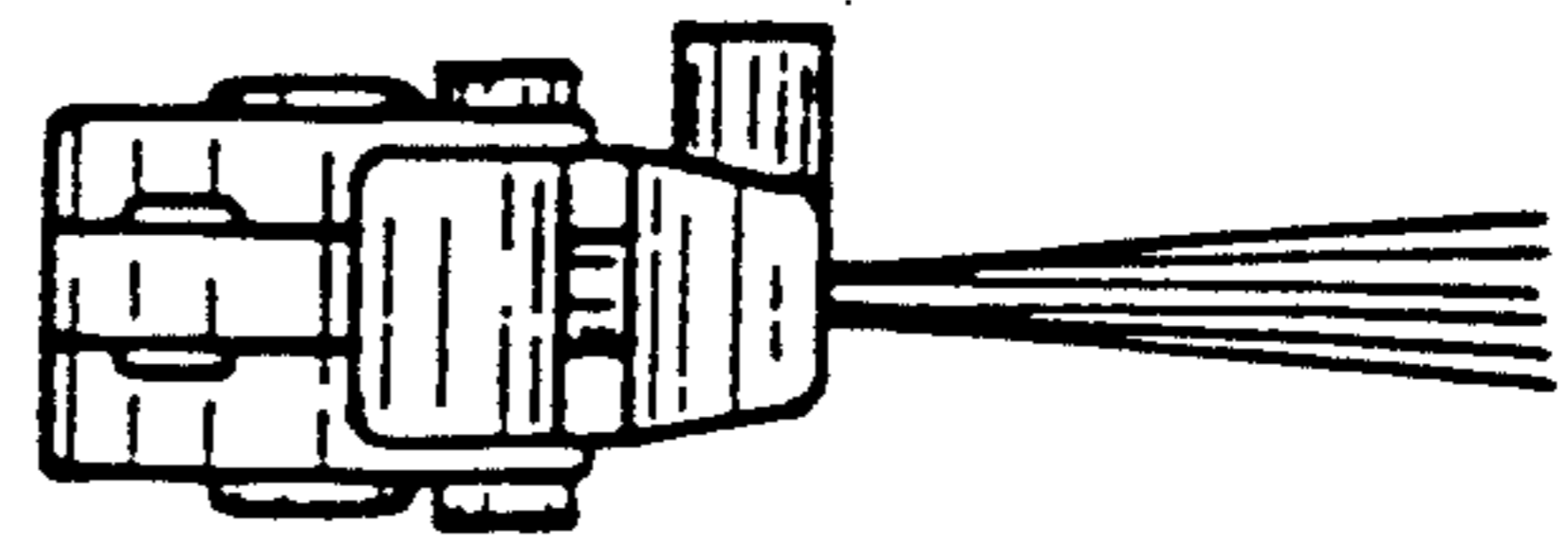


FIG. 5

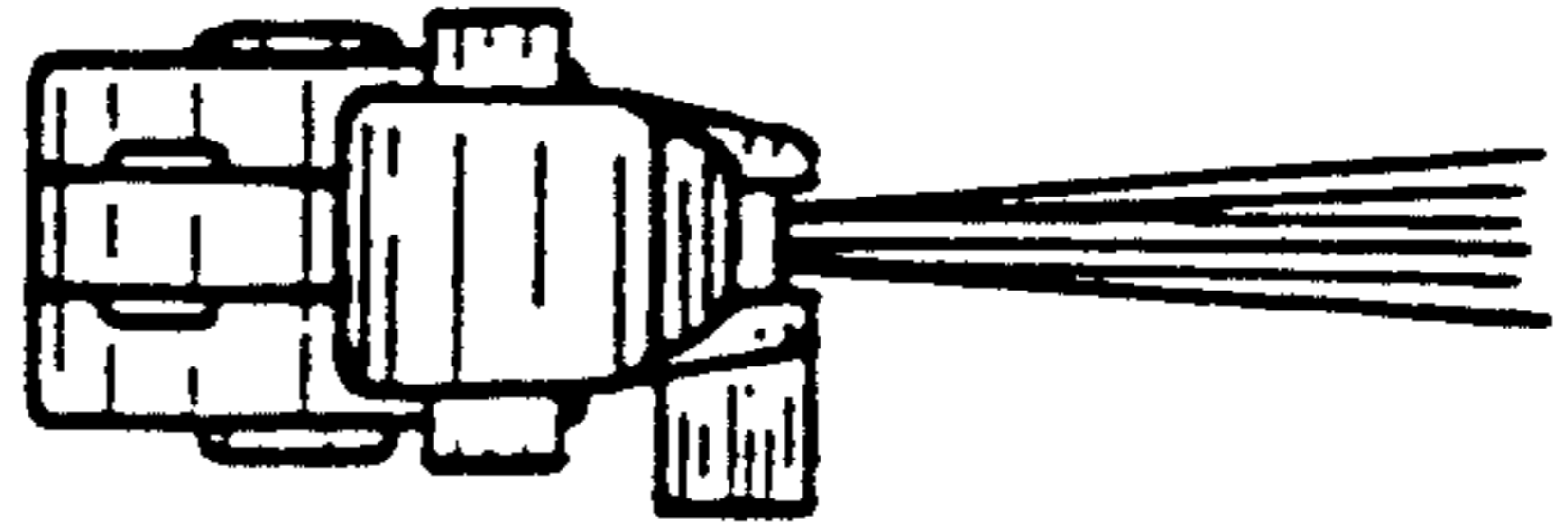


FIG. 6

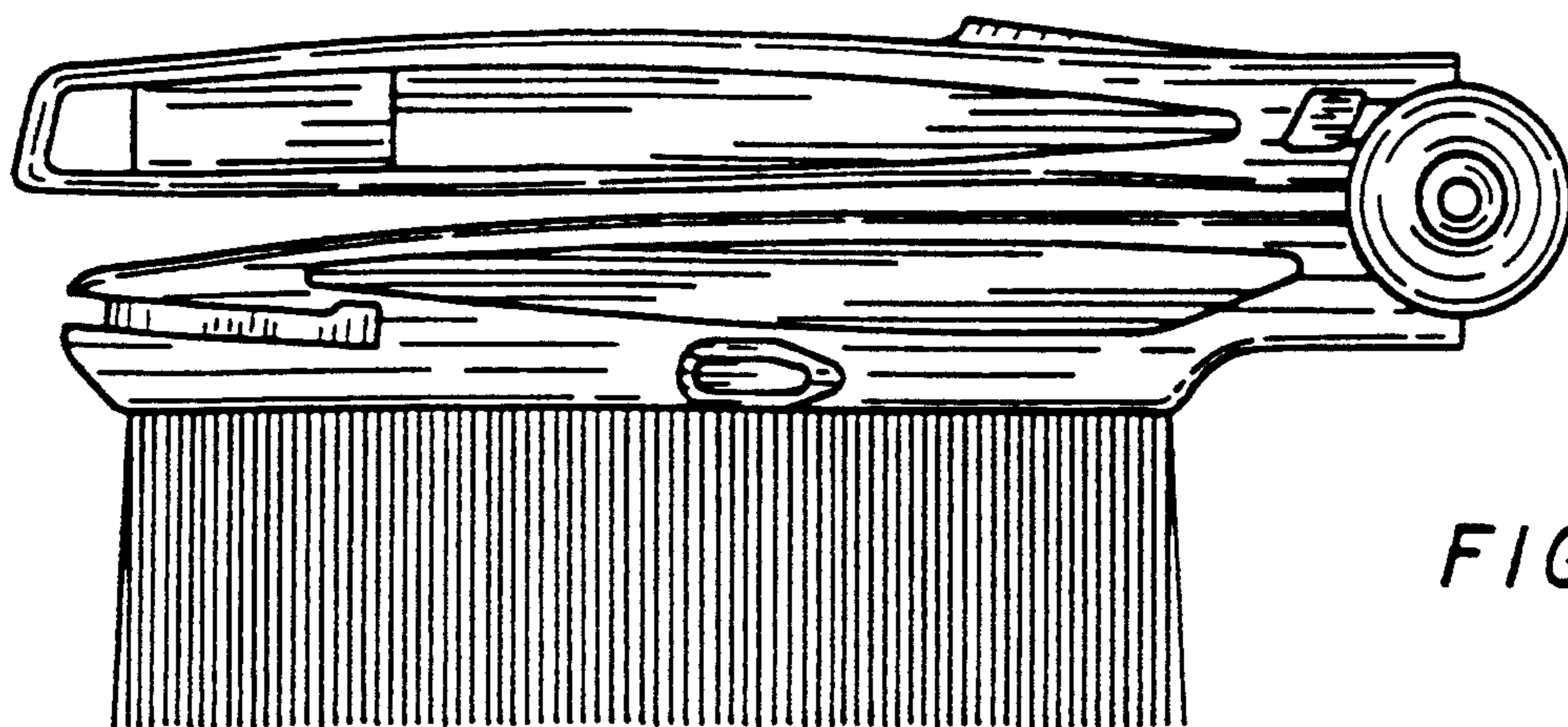


FIG. 7

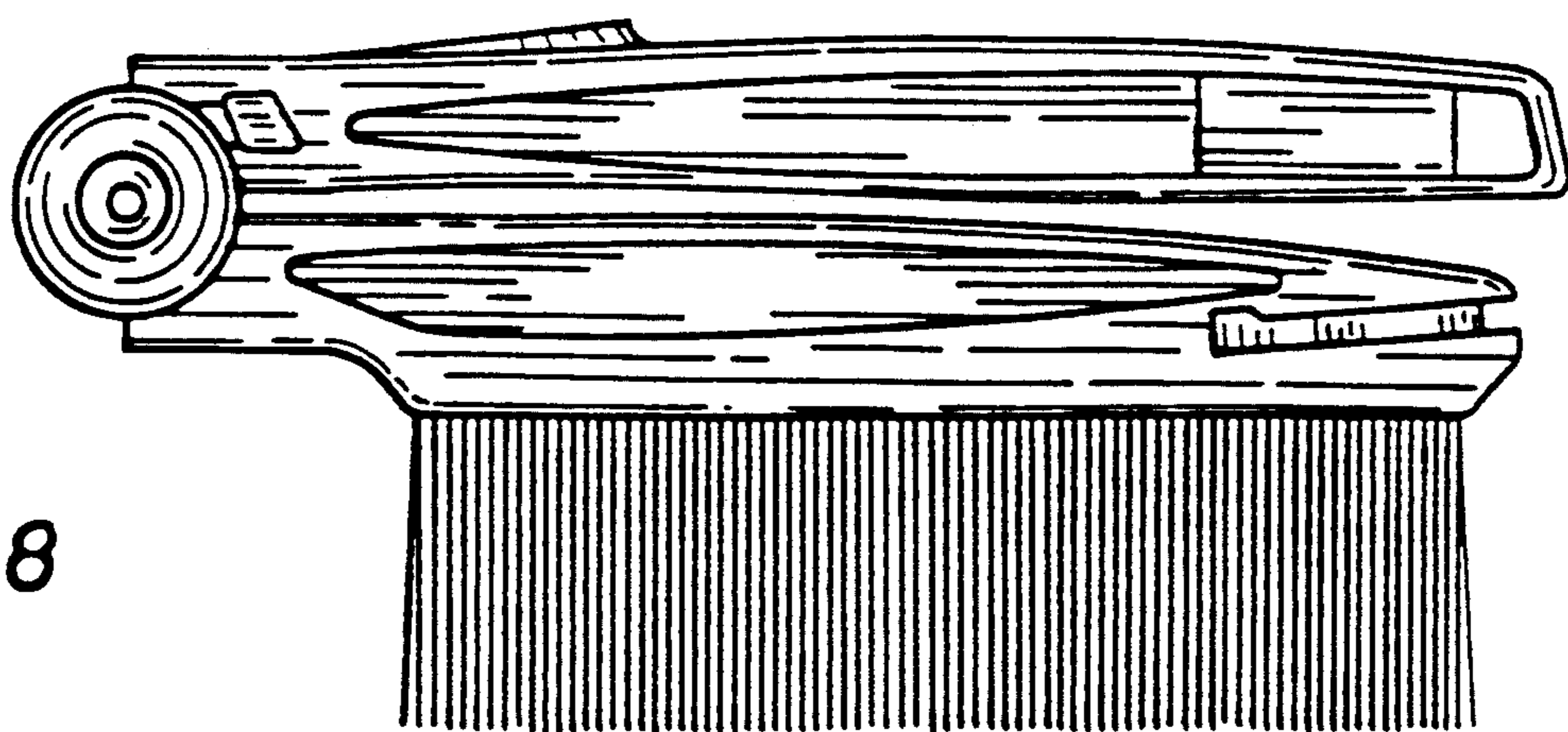


FIG. 8

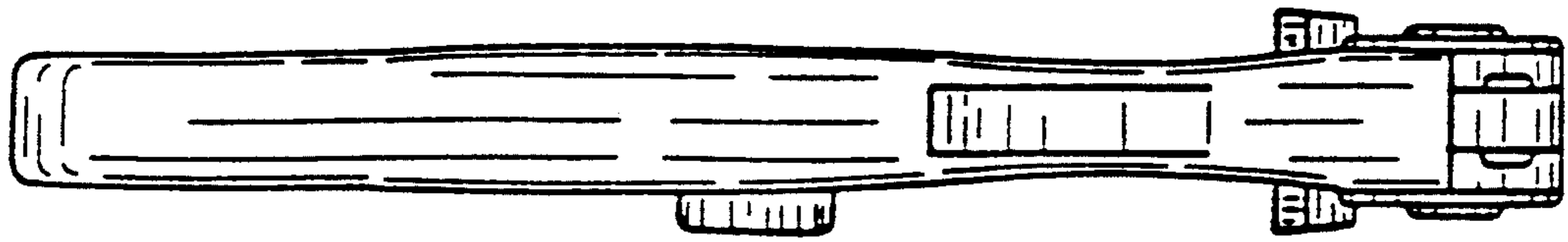


FIG. 9

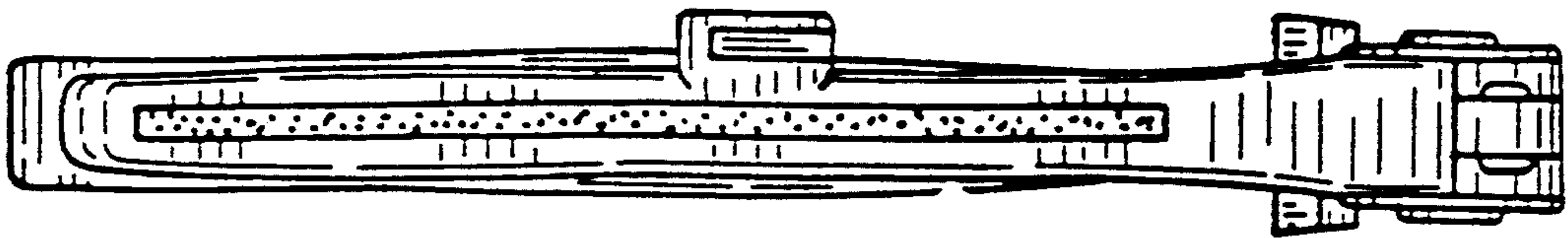


FIG. 10

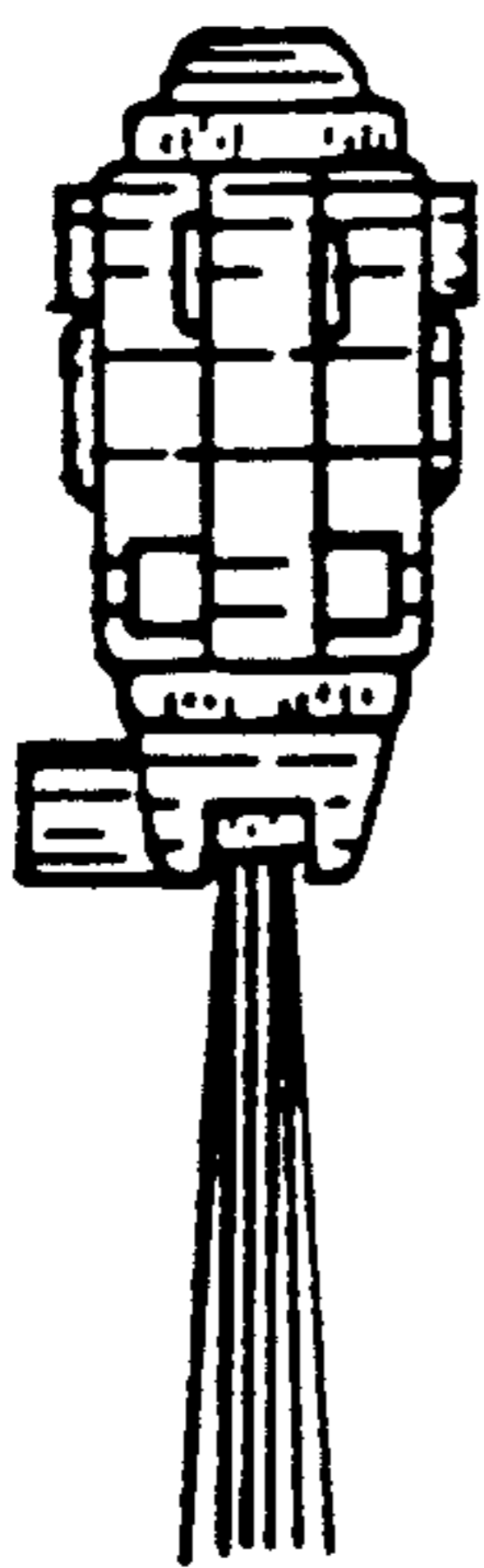


FIG. 11



FIG. 12

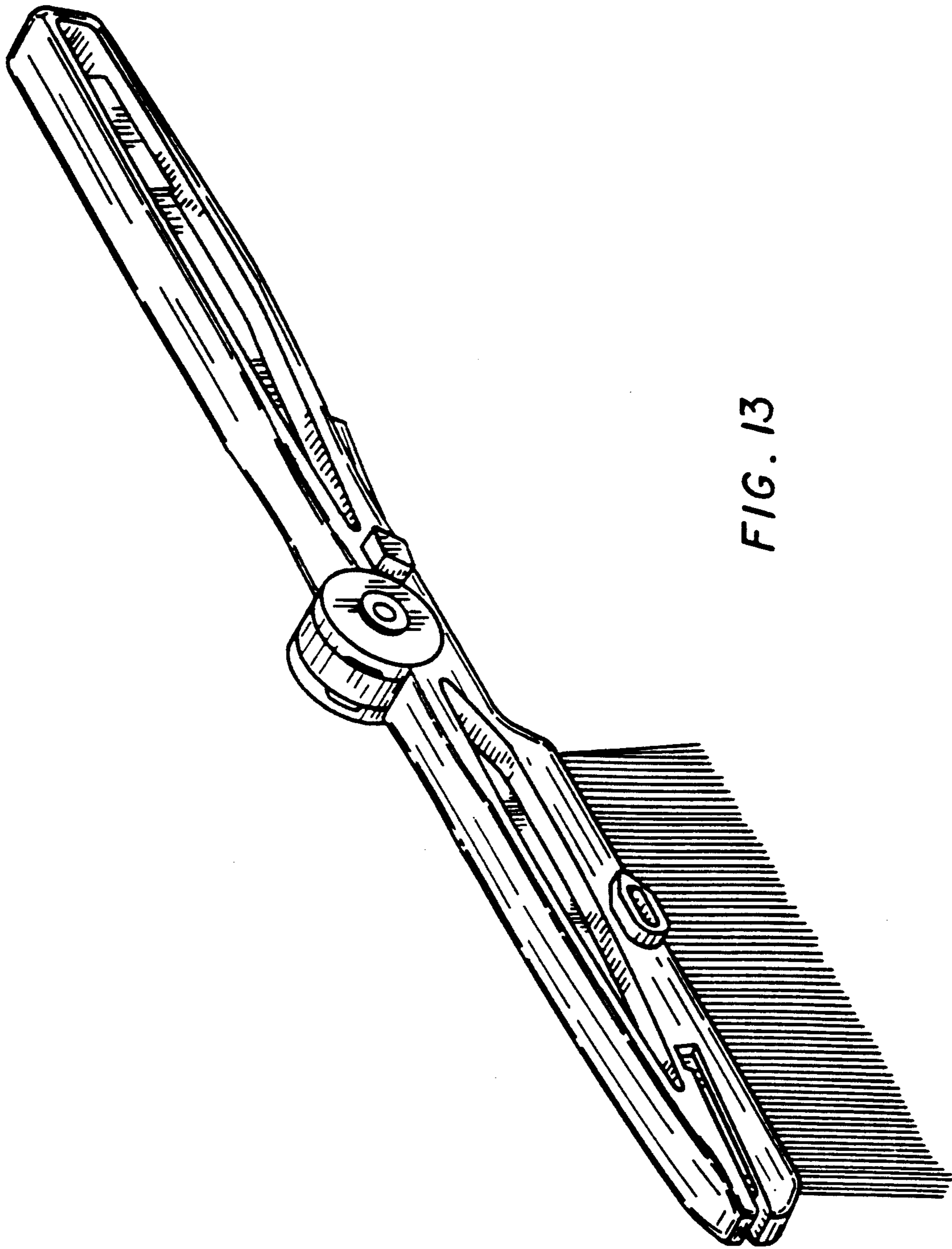


FIG. 13

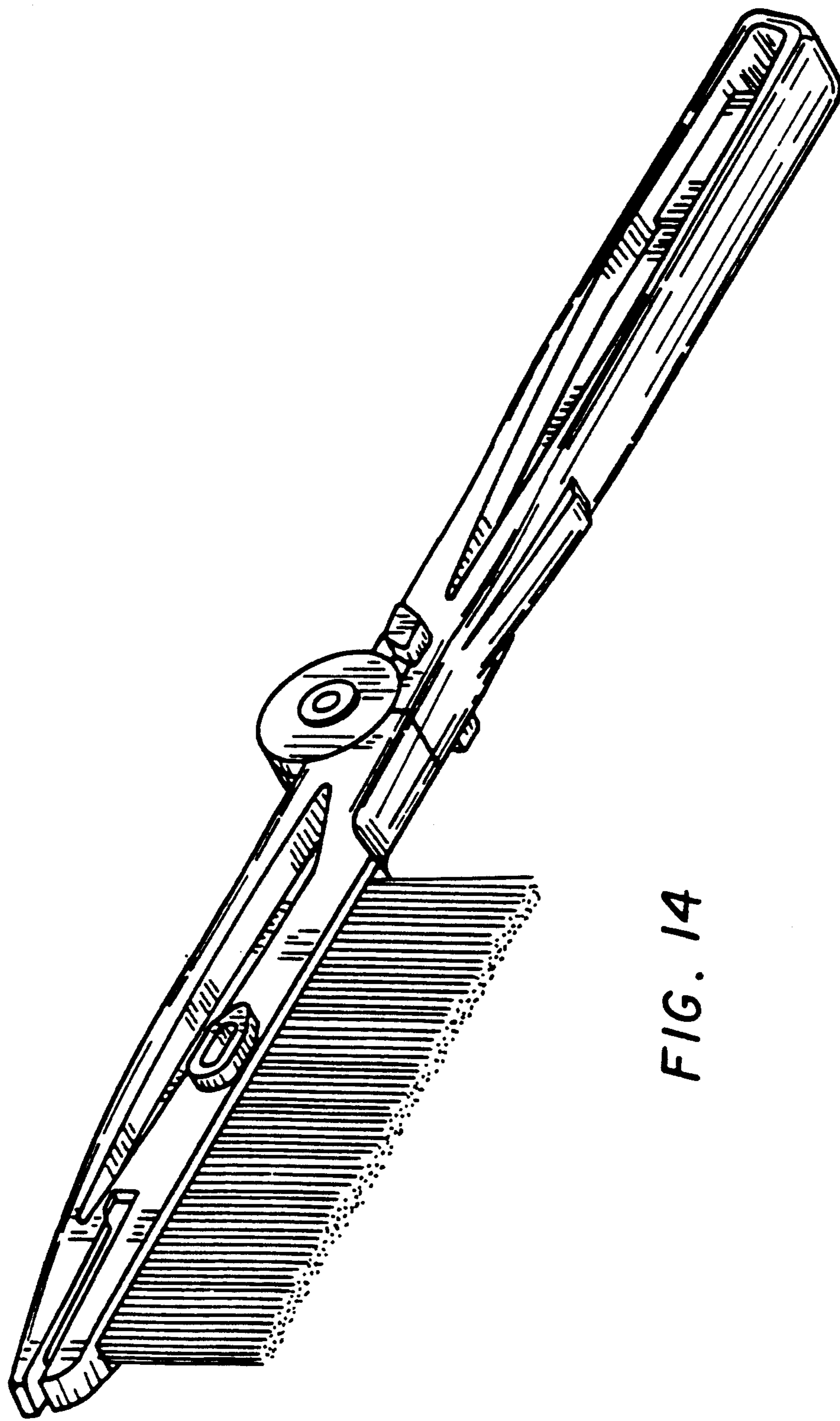


FIG. 14