



US00D345055S

United States Patent [19]

[11] Patent Number: **Des. 345,055**

Boodhram

[45] Date of Patent: **** Mar. 15, 1994**

[54] **TONGUE AND TOOTH CLEANING BRUSH**

3,917,420 11/1975 Watson .
4,292,705 10/1981 Stouffer .

[76] Inventor: **Terry Boodhram**, 4180 Trellis Crescent, Mississauga, Ont., Canada, L5L-2M2

Primary Examiner—Wallace R. Burke
Assistant Examiner—Lavone D. Tabor
Attorney, Agent, or Firm—Terry M. Gernstein

[**] Term: **14 Years**

[57] **CLAIM**

[21] Appl. No.: **895,866**

The ornamental design for a tongue and tooth cleaning brush, as shown and described.

[22] Filed: **Jun. 9, 1992**

[52] U.S. Cl. **D4/104**

DESCRIPTION

[58] Field of Search D4/104, 107, 130, 134, D4/137-138; 15/143.1, 159.1, 160, 167.1, 167.2, 167.3; 132/308, 323; D24/146-147

FIG. 1 is a right end, top and front perspective view of the tongue and tooth cleaning brush showing my new design;

[56] References Cited

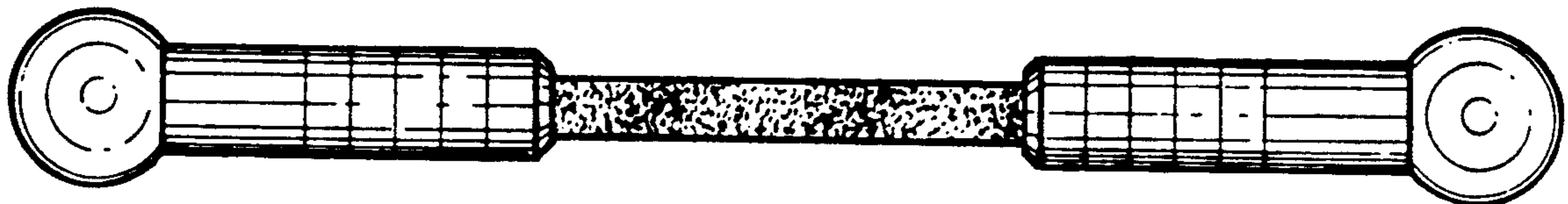
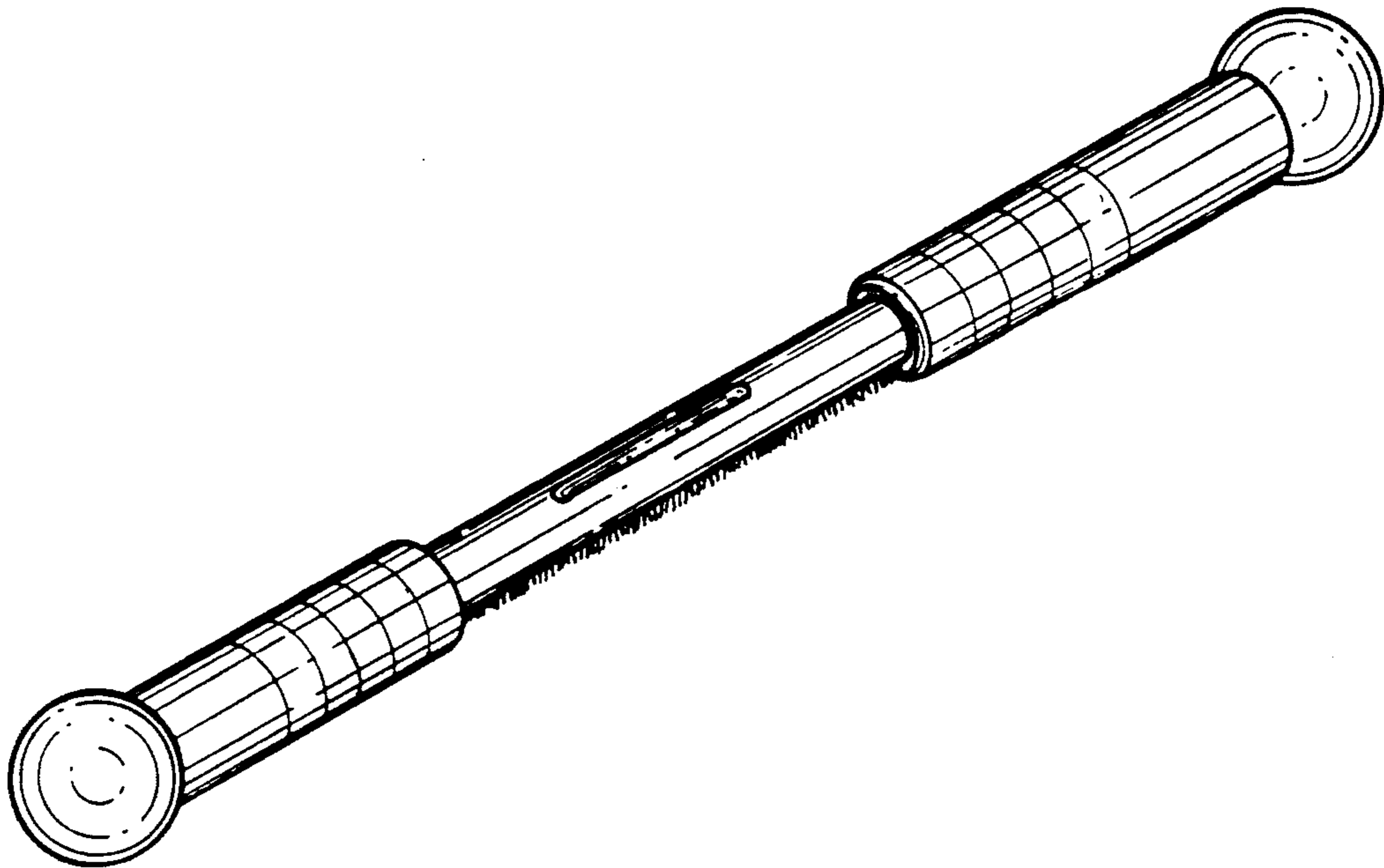
U.S. PATENT DOCUMENTS

D. 170,468 9/1953 Le Ber D4/137
D. 254,326 2/1980 Nevrekar D24/147
1,559,320 10/1925 Hirsh 132/323
2,679,657 6/1954 Krueger .

FIG. 2 is a left end elevational view thereof, the right end being a mirror image of the left end shown in FIG. 2;

FIG. 3 is a front elevational view thereof, the rear being a mirror image of the front shown in FIG. 3;

FIG. 4 is a top plan view thereof; and,
FIG. 5 is a bottom plan view thereof.



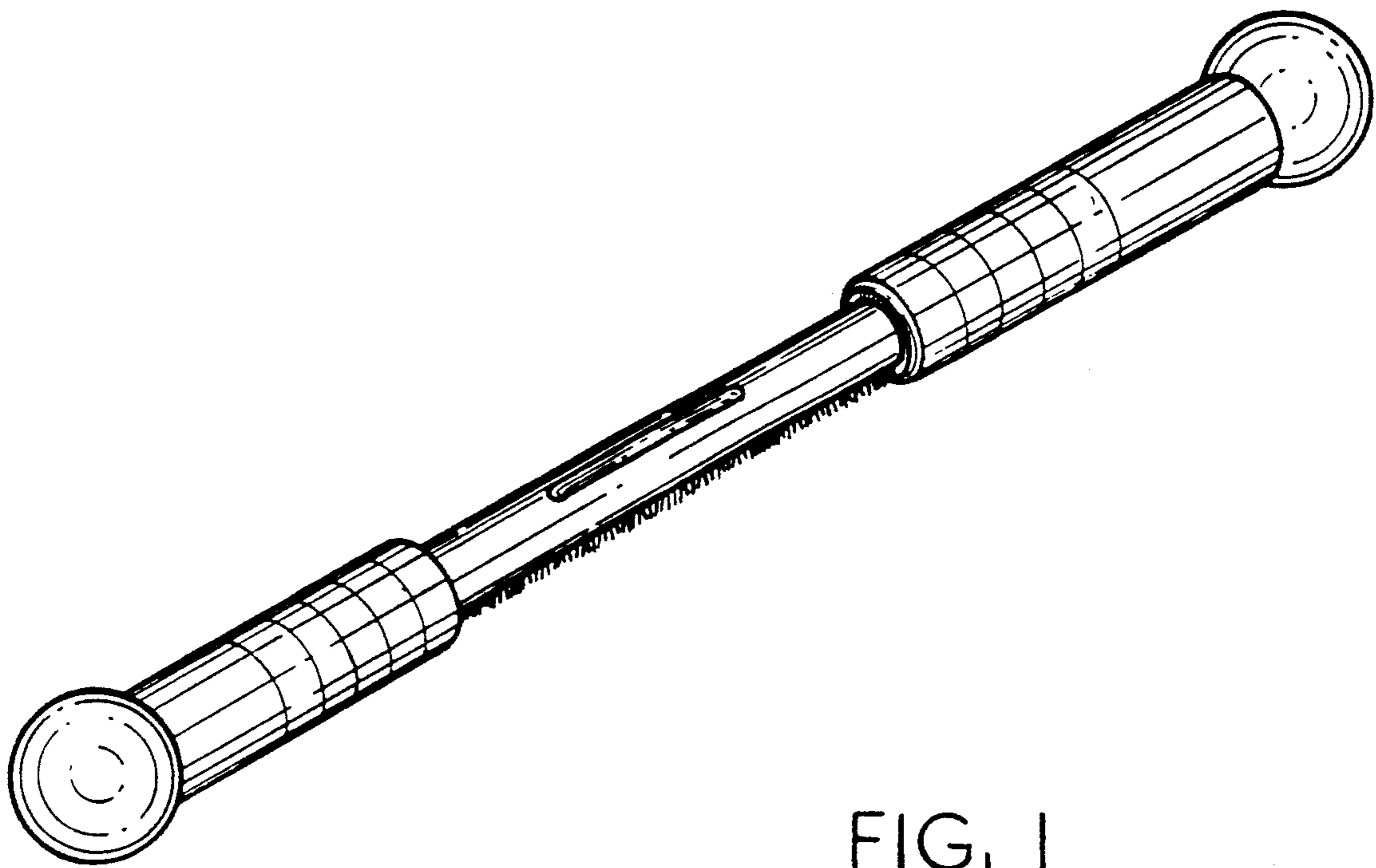


FIG. 1



FIG. 2



FIG. 3



FIG. 4

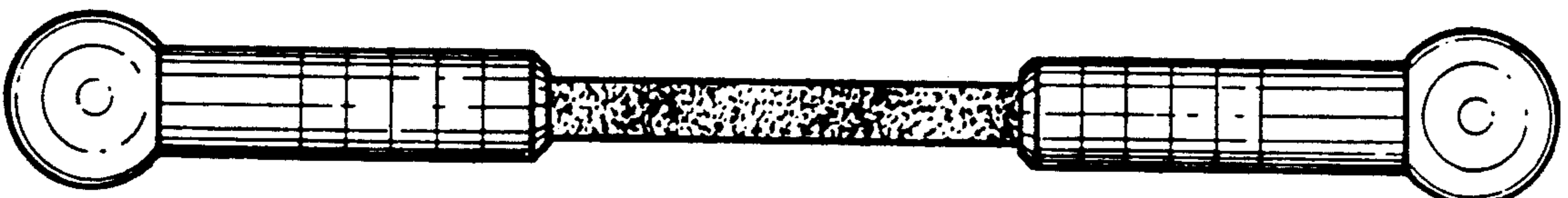


FIG. 5