



US00D345051S

United States Patent [19]

Wills

[11] Patent Number: **Des. 345,051**

[45] Date of Patent: **** Mar. 15, 1994**

[54] **NOVELTY EARRING HOLDER**

[76] Inventor: **Karen K. Wills**, 190 W. Willow, Coal City, Ill. 60416

[**] Term: **14 Years**

[21] Appl. No.: **892,012**

[22] Filed: **Jun. 3, 1992**

[52] U.S. Cl. **3/271**

[58] Field of Search **D3/75, 74, 30.1, 78, D3/39, 76; D6/446, 449; D9/423; 206/566, 541, 457, 562, 6.1, 45.34, 45.11; D21/130; D28/73, 81, 87**

3,982,628 9/1976 Garcia Rodenas 206/566 X
 4,324,446 4/1982 Lesage 206/45.34 X
 4,905,821 3/1990 Corbett 206/6.1 X
 4,958,727 9/1990 Bergeron 206/6.1
 5,117,971 6/1992 Fisher 206/6.1

Primary Examiner—Melvin B. Feifer
Assistant Examiner—Paula Mortimer
Attorney, Agent, or Firm—Terry M. Gernstein

[57] CLAIM

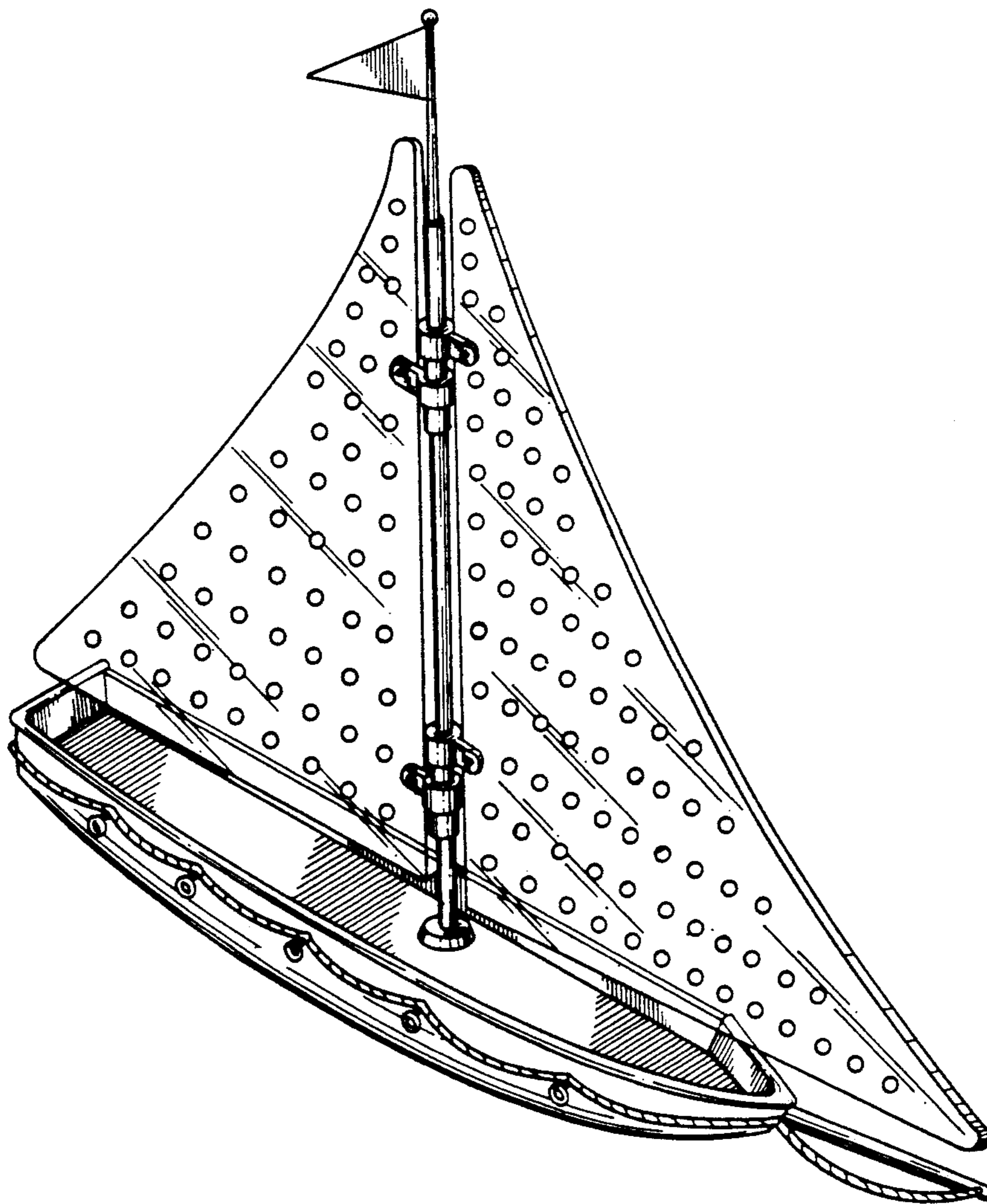
The ornamental design for a novelty earring holder, as shown and described.

DESCRIPTION

FIG. 1 is a front, top and end perspective view of the a novelty earring holder showing my new design;
 FIG. 2 is an end elevational view thereof;
 FIG. 3 is an end elevational view thereof;
 FIG. 4 is a front elevational view thereof;
 FIG. 5 is a rear elevational view thereof;
 FIG. 6 is a top plan view thereof; and,
 FIG. 7 is a bottom plan view thereof.

[56] **References Cited**
U.S. PATENT DOCUMENTS

22,641	7/1893	Boulay .	
D. 259,524	6/1981	Erdman .	
D. 277,340	1/1985	Chrisen .	
D. 284,681	7/1986	Sugihara	D21/130
D. 317,380	6/1991	Snyder	D3/75
D. 328,817	8/1992	Holland	D3/74 X



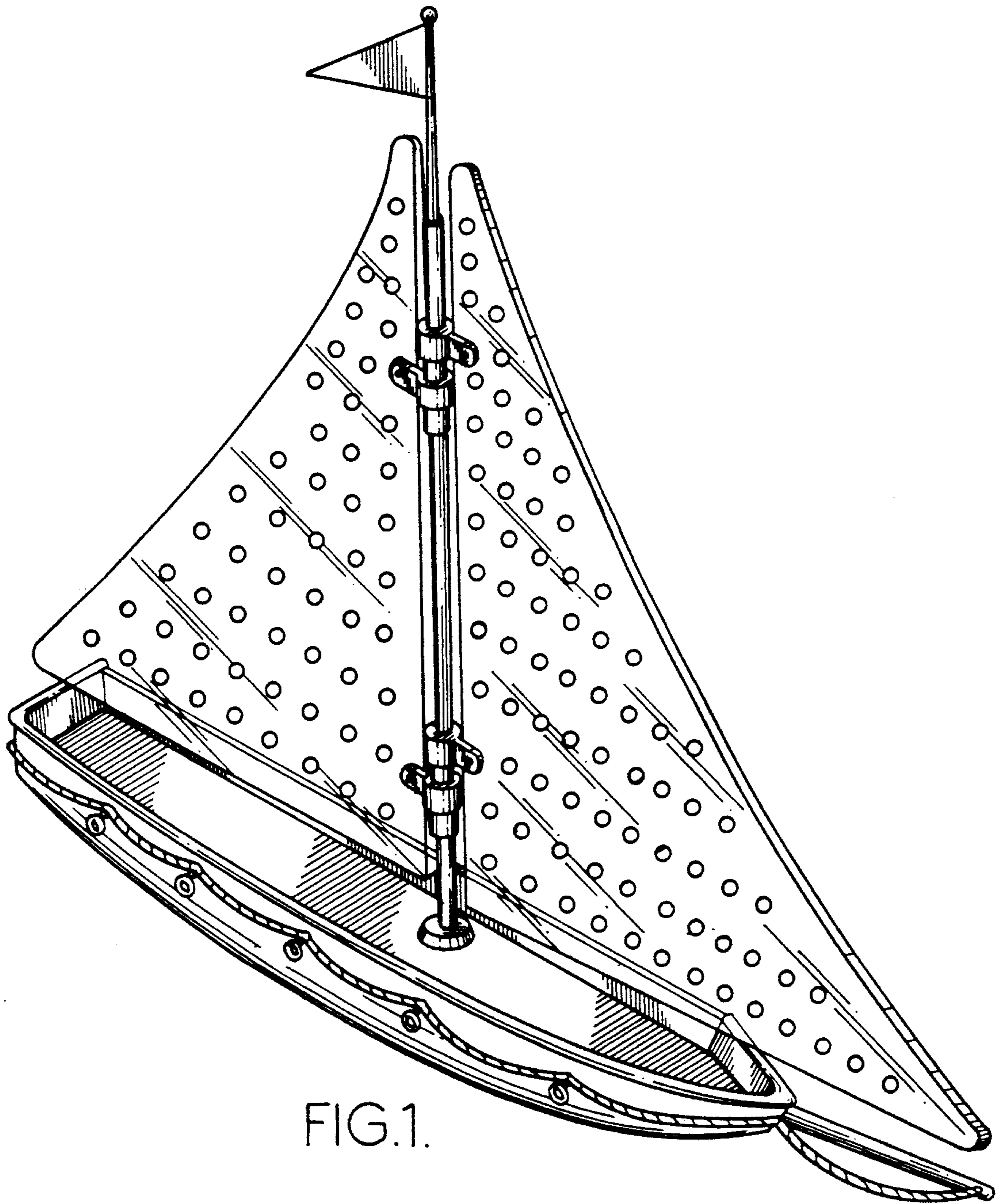


FIG. 1.

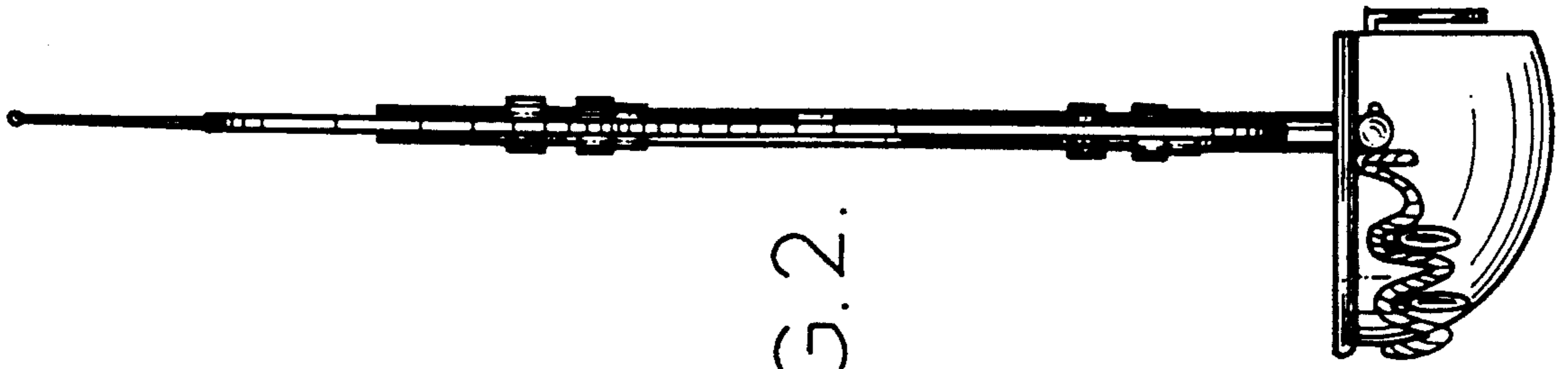


FIG. 2.

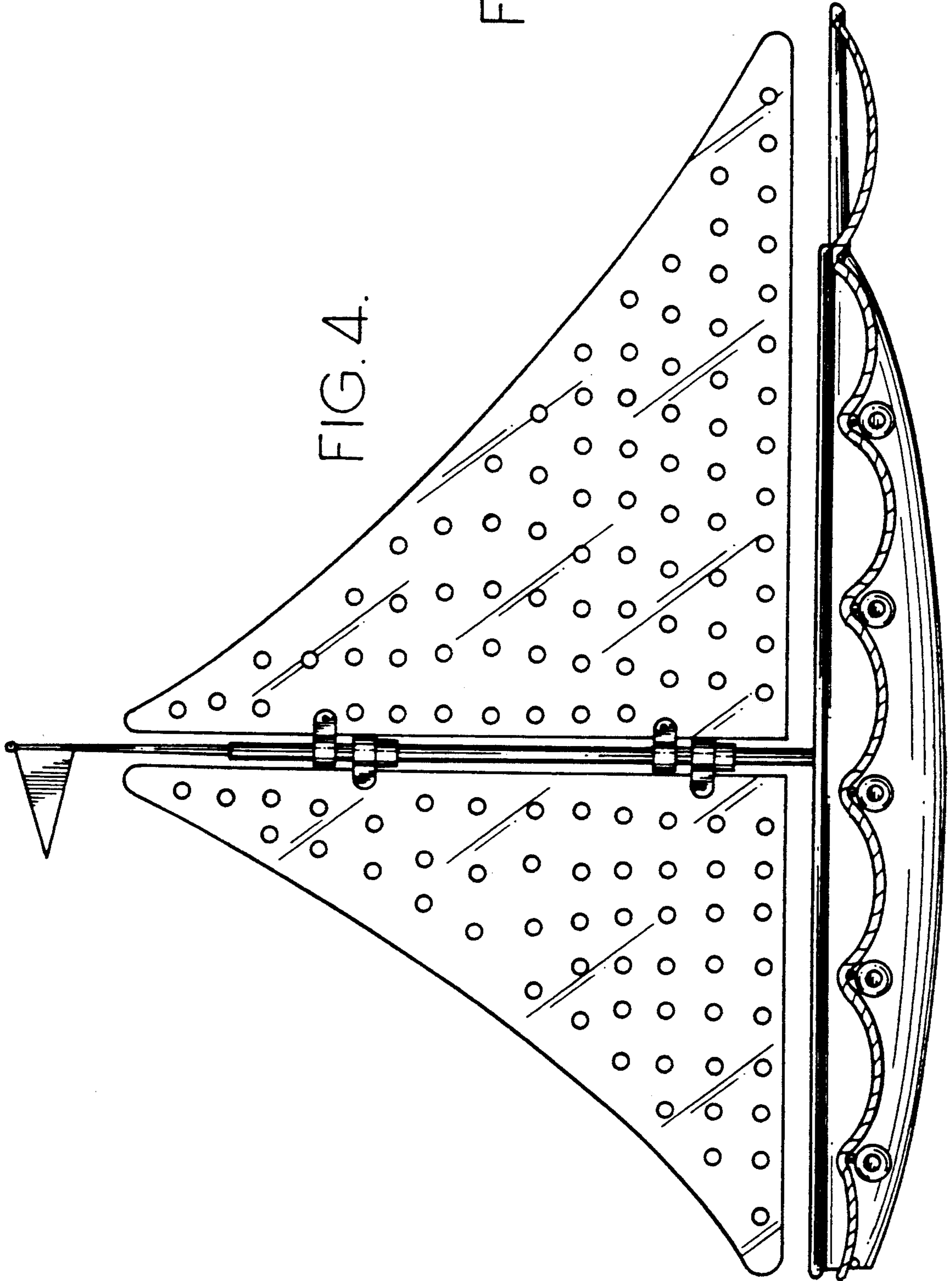


FIG. 4.

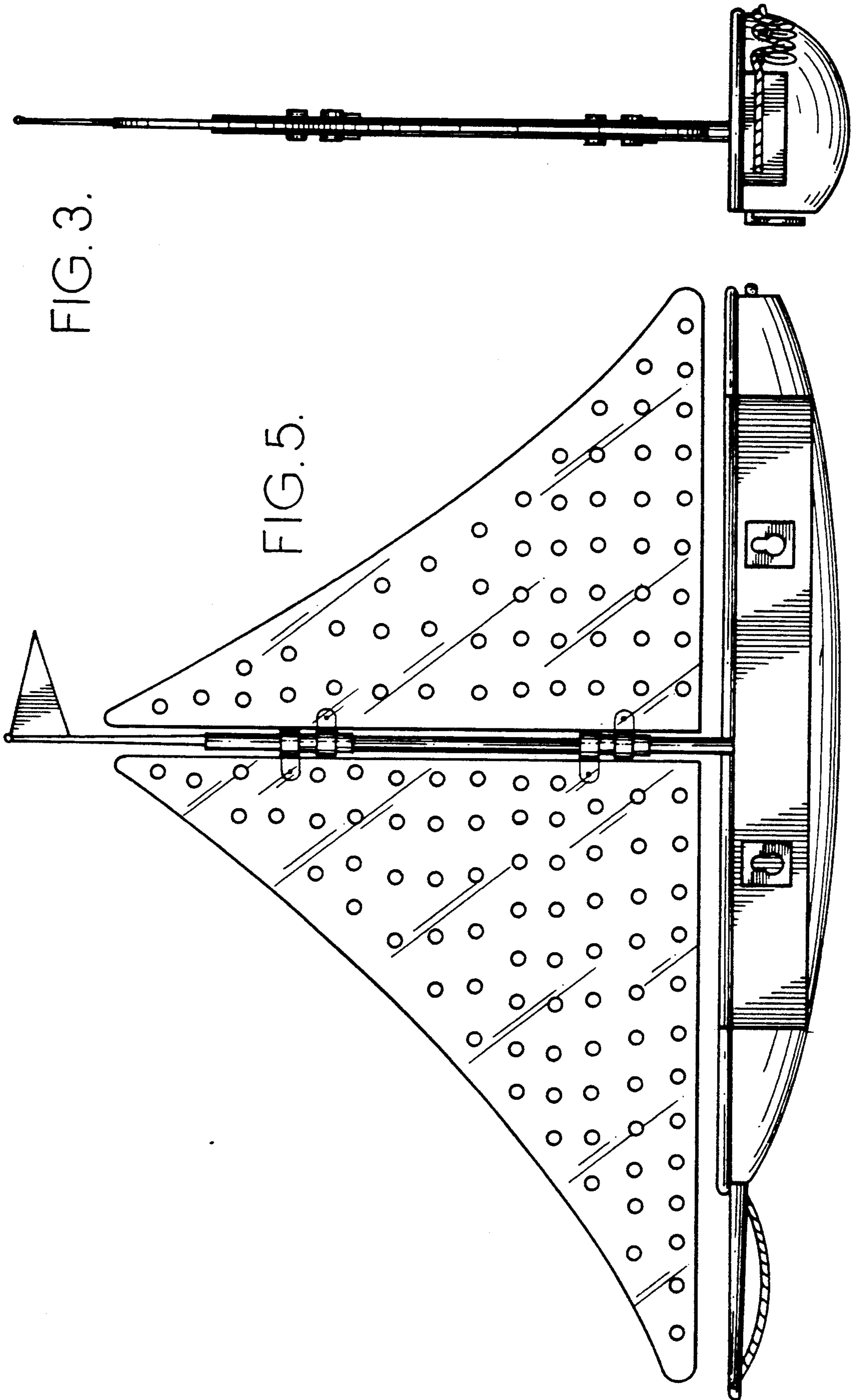


FIG. 3.

FIG. 5.

FIG. 6.

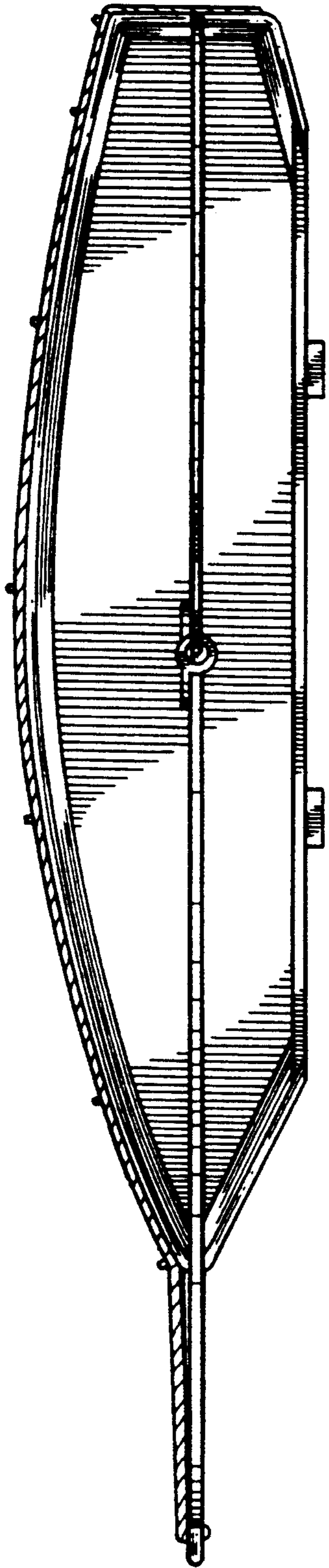


FIG. 7.

