



US00D345041S

United States Patent [19]

[11] Patent Number: **Des. 345,041**

Bauer

[45] Date of Patent: **** Mar. 8, 1994**

[54] **LINEAR SLIDE WITH TOOTHED BELT DRIVES**

[75] Inventor: **Siegfried Bauer,**
Massbach-Volkershausen, Fed. Rep.
of Germany

[73] Assignee: **Deutsche Star GmbH,** Schweinfurt,
Fed. Rep. of Germany

[**] Term: **14 Years**

[21] Appl. No.: **795,640**

[22] Filed: **Nov. 21, 1991**

[30] **Foreign Application Priority Data**

May 22, 1991 [DE] Fed. Rep. of Germany M
9103755.7

[52] U.S. Cl. **D15/138; D15/199**

[58] Field of Search 82/132-141;
53/128.1; 474/144-147, 205, 268; D15/138.2,
145, 150-152, 199

[56] **References Cited**

U.S. PATENT DOCUMENTS

- D. 240,293 6/1976 Bogart D10/70
- D. 308,207 5/1990 Burke D15/199 X
- D. 310,041 8/1990 Nagaoka D10/70
- D. 333,666 3/1993 Kawashima et al. D15/199 X

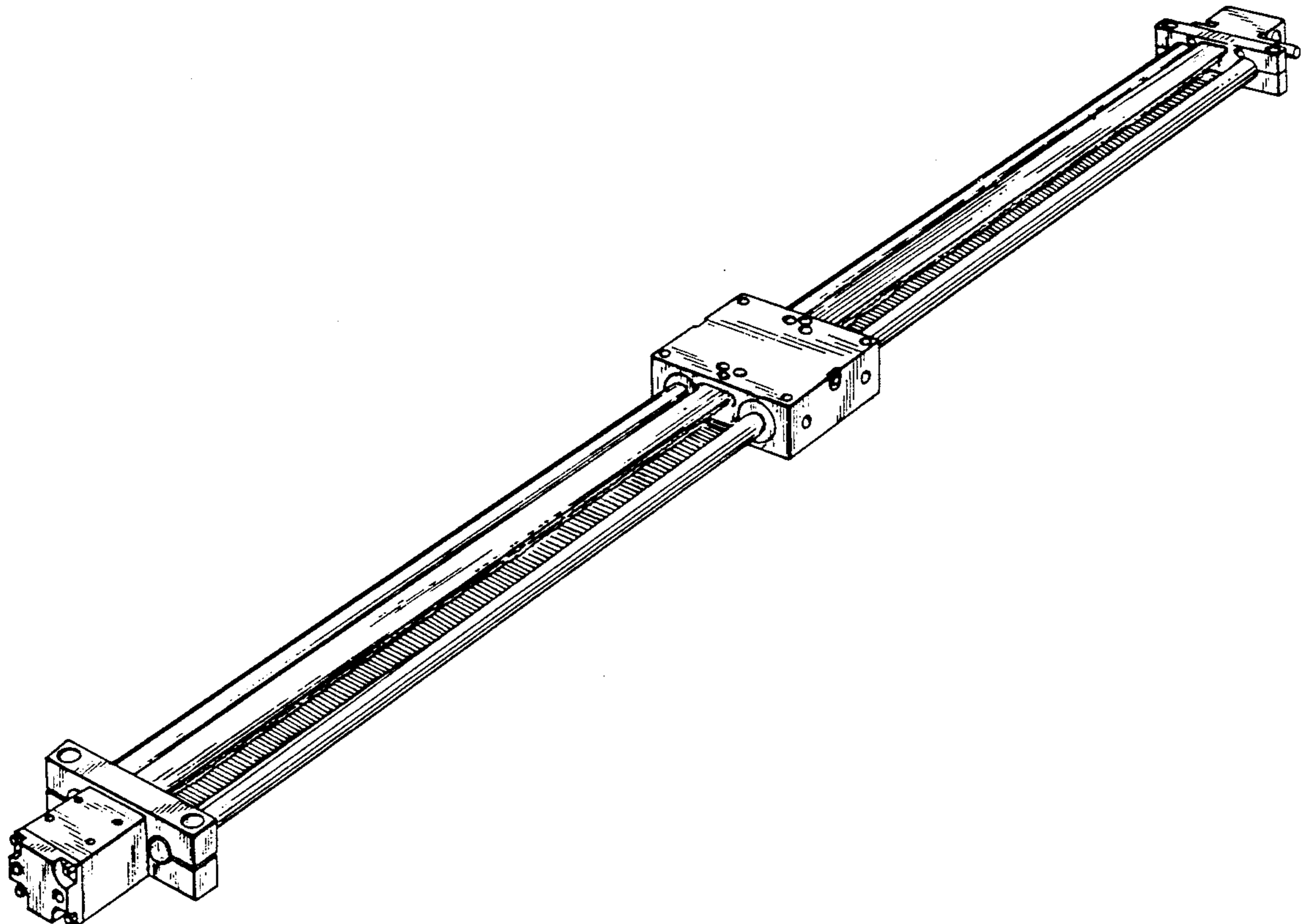
Primary Examiner—Alan P. Douglas
Assistant Examiner—Antoine D. Davis
Attorney, Agent, or Firm—Anderson Kill Olick &
Oshinsky

[57] **CLAIM**

The ornamental design for a linear slide with toothed belt drives, as shown and described.

DESCRIPTION

FIG. 1 is a perspective front view of a linear slide with toothed belt drives showing my new design; FIG. 2 is another perspective front view thereof; and, FIG. 3 is a perspective bottom view thereof.



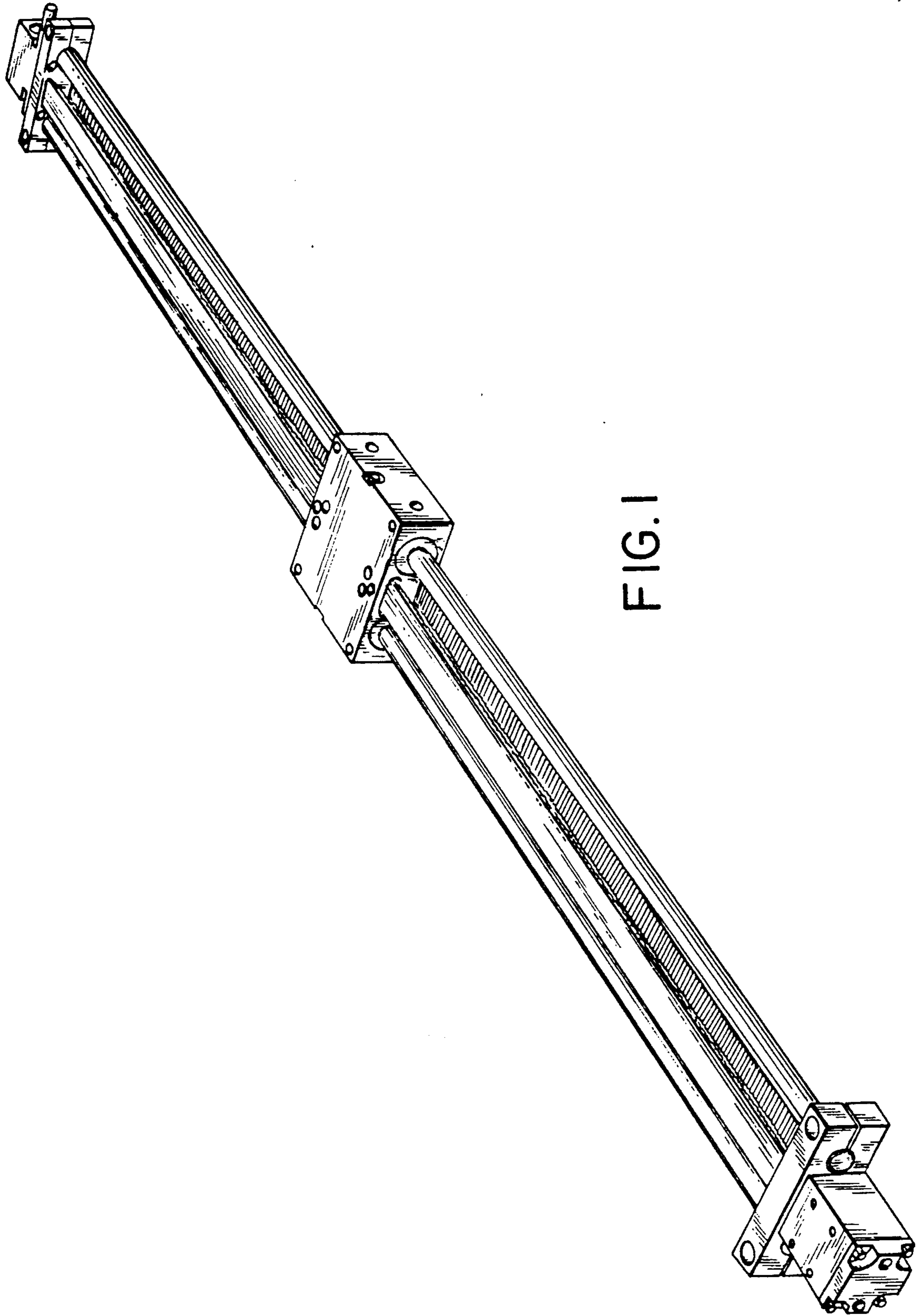


FIG. 1

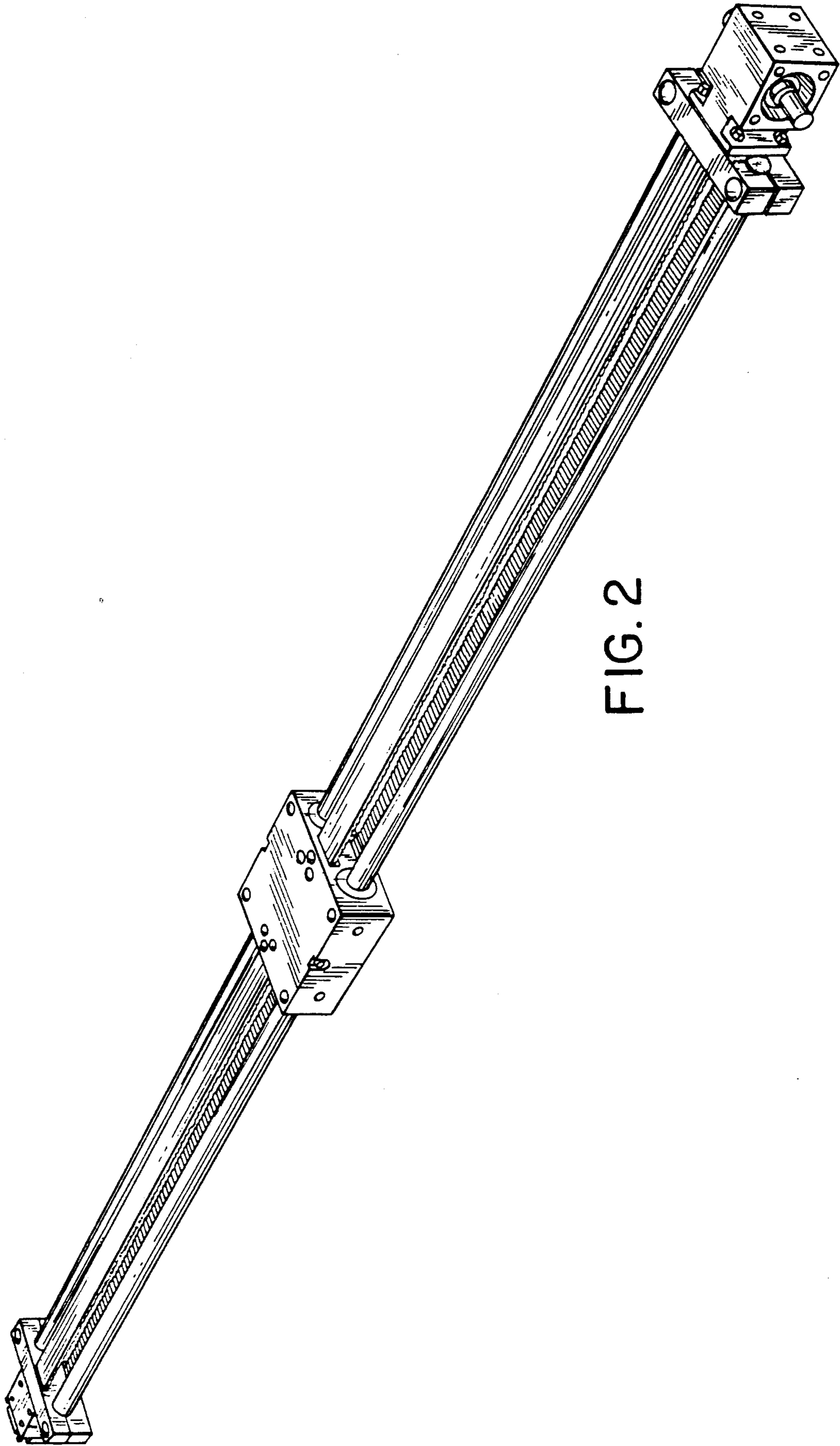


FIG. 2

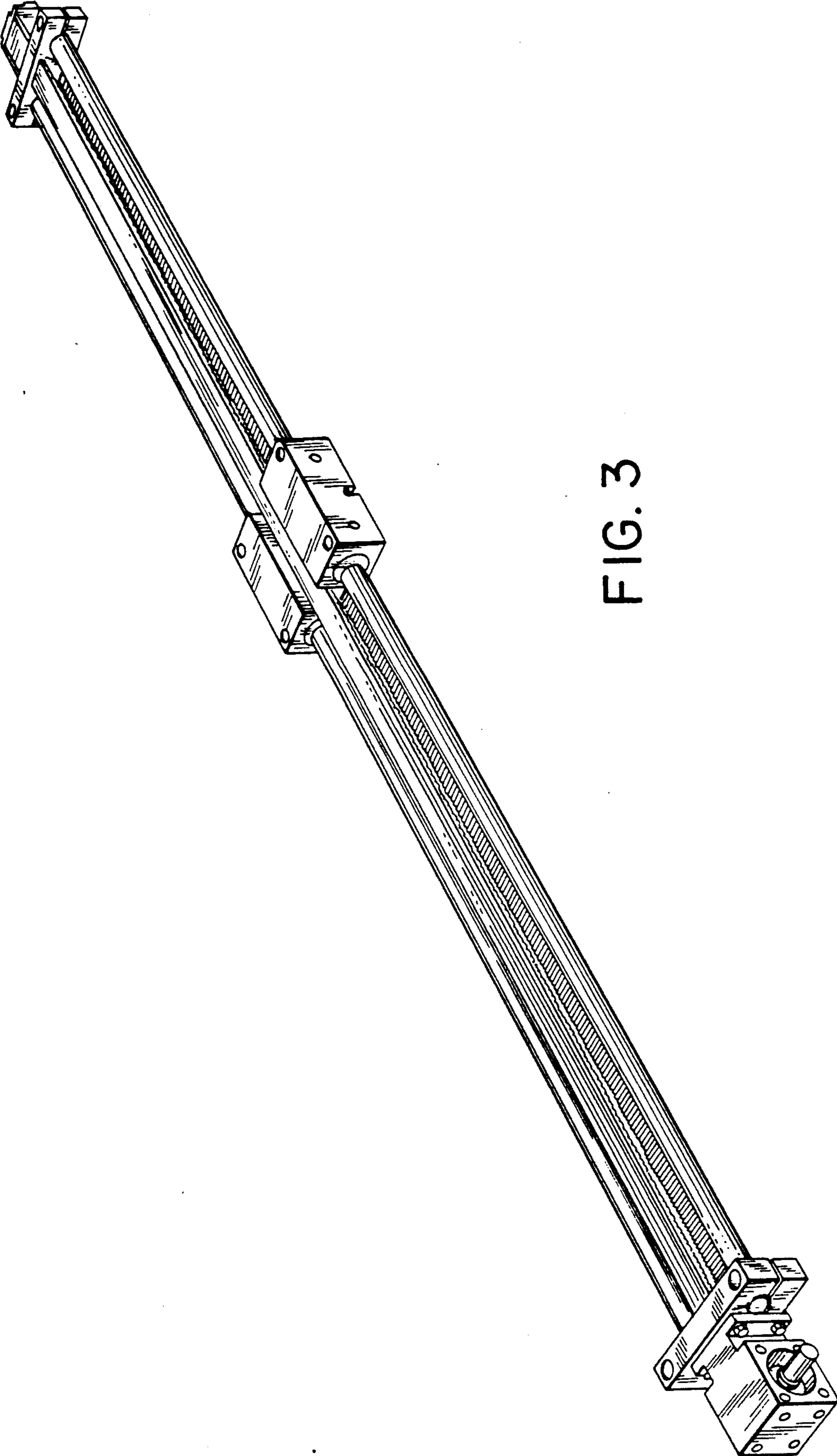


FIG. 3