



US00D345040S

United States Patent [19]

[11] Patent Number: **Des. 345,040**

Hollins

[45] Date of Patent: **** Mar. 8, 1994**

[54] **DOOR MESSAGE BOX**

1,664,462	4/1928	Muehleisen	232/24
2,334,647	11/1943	Qualls	232/24
2,382,092	8/1945	Onos	232/24

[76] Inventor: **Edward M. Hollins, 424 Arnold Dr.,
Daytona Beach, Fla. 32114**

Primary Examiner—Alan P. Douglas
Assistant Examiner—J. H. Musgrove
Attorney, Agent, or Firm—S. Michael Bender

[**] Term: **14 Years**

[21] Appl. No.: **902,050**

[57] **CLAIM**

[22] Filed: **Jun. 22, 1992**

The ornamental design for a door message box, as shown and described.

[52] U.S. Cl. **D99/33**

[58] Field of Search 232/17, 14, 24, 23;
D99/33

DESCRIPTION

[56] **References Cited**

FIG. 1 is a front elevational view of the door message box showing my new design;
FIG. 2 is a rear elevational view thereof;
FIG. 3 is a left side elevational view thereof;
FIG. 4 is a right side elevational view thereof;
FIG. 5 is a top plan view thereof; and,
FIG. 6 is a bottom plan view thereof.

U.S. PATENT DOCUMENTS

D. 184,168	12/1958	Cornell et al.	D99/33
D. 272,483	1/1984	Franklin	D99/33
D. 321,075	10/1991	Scott	D99/33
1,366,294	1/1921	Styrbinski	232/24

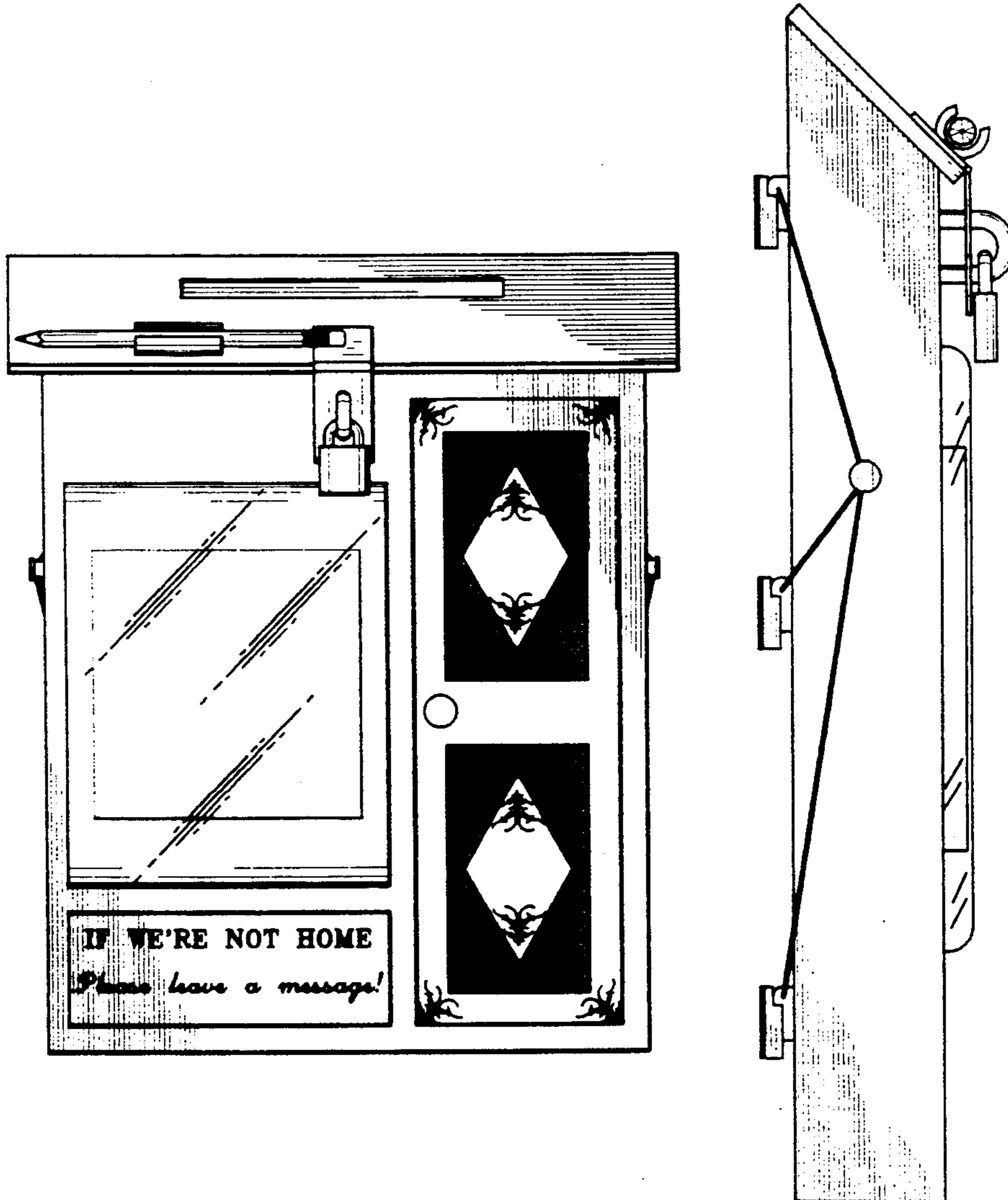


FIG. 1

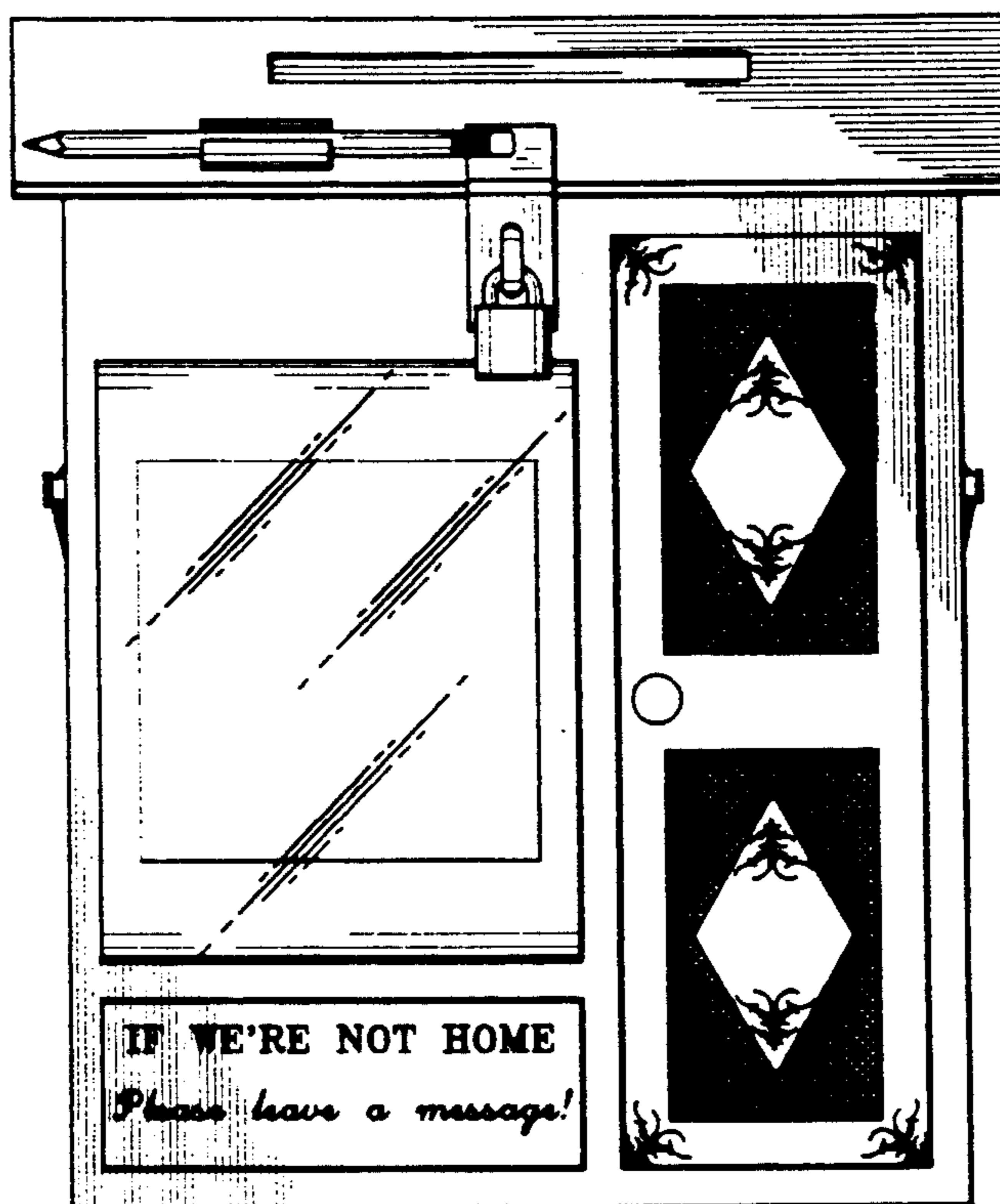


FIG. 2

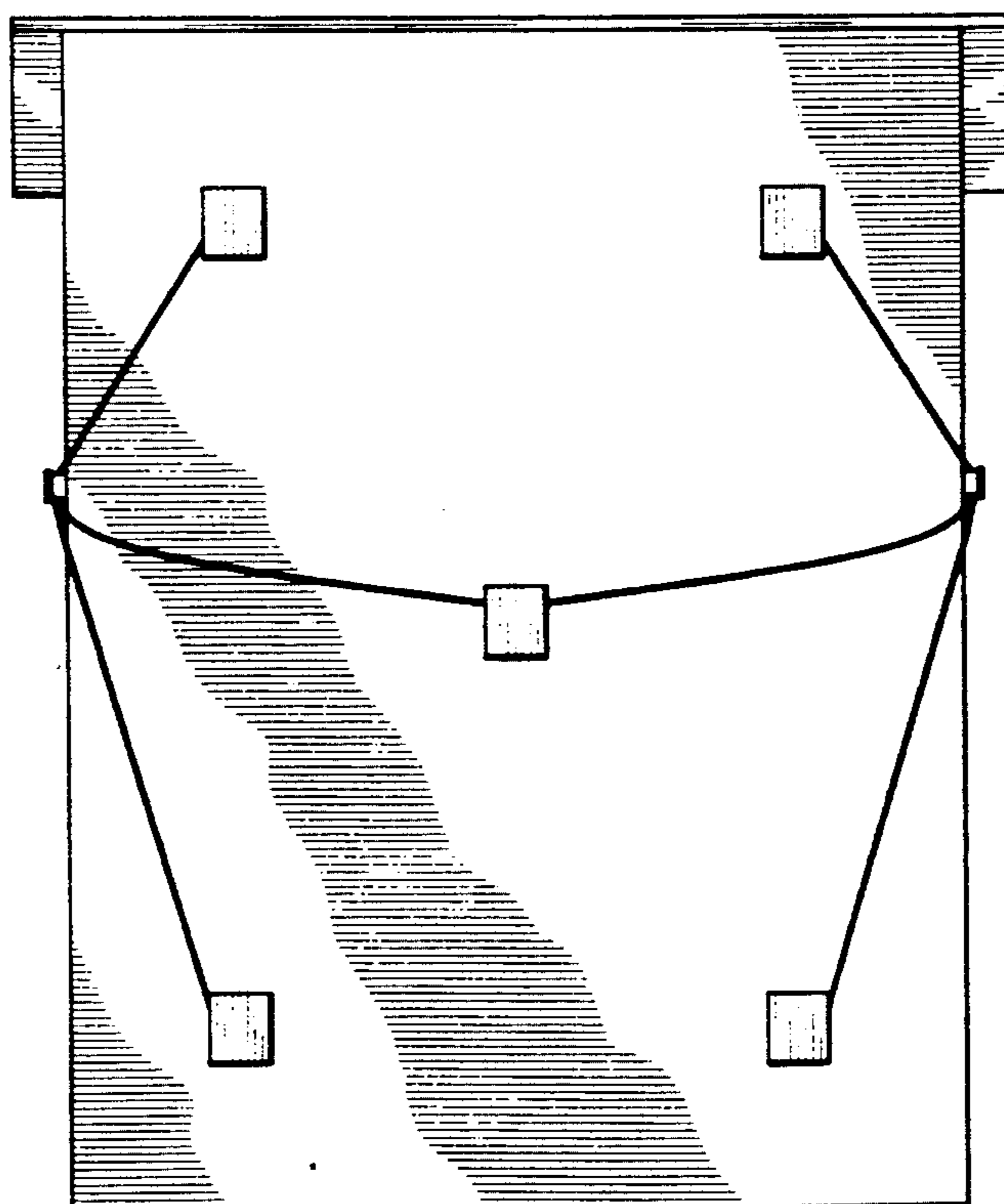


FIG. 3

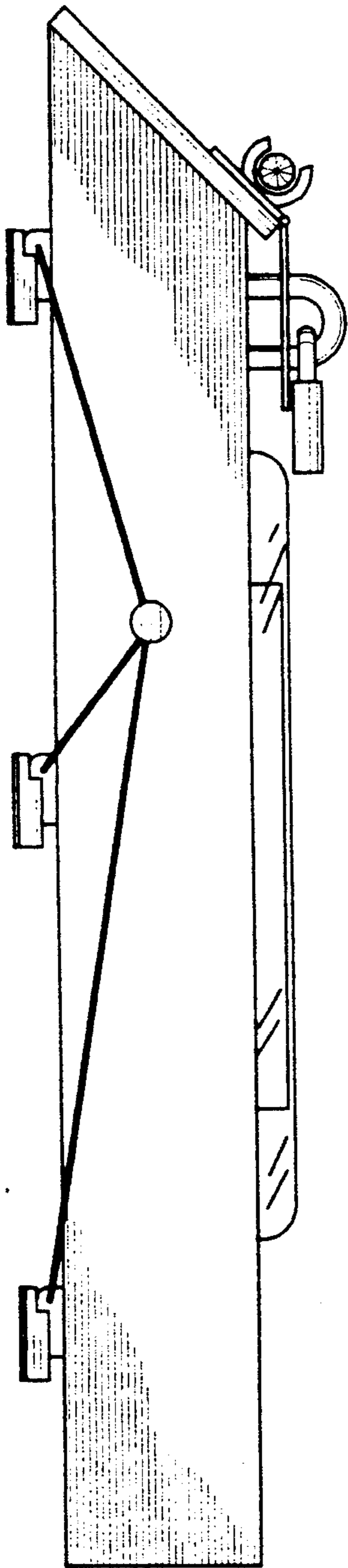


FIG. 4

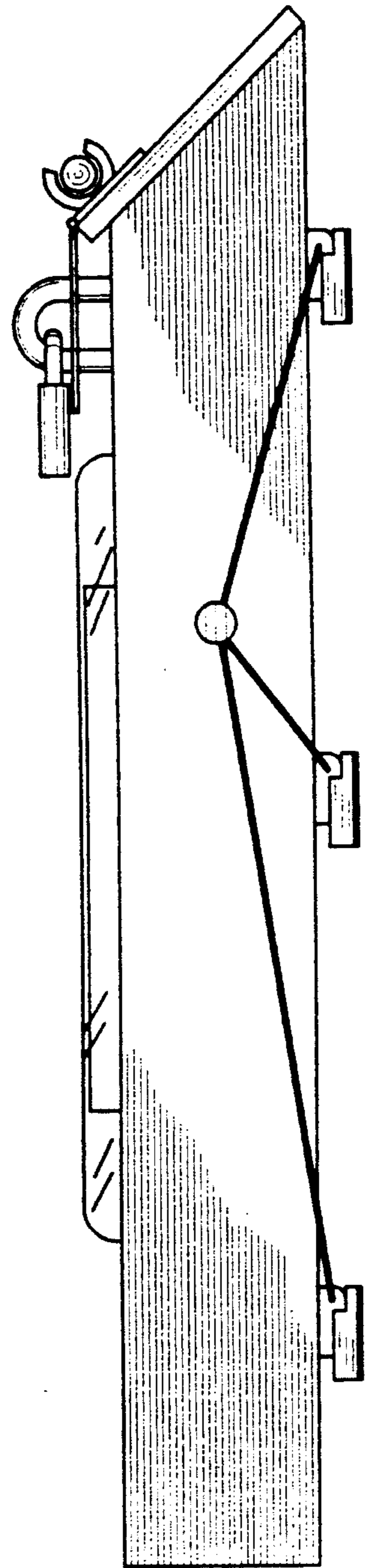


FIG. 5

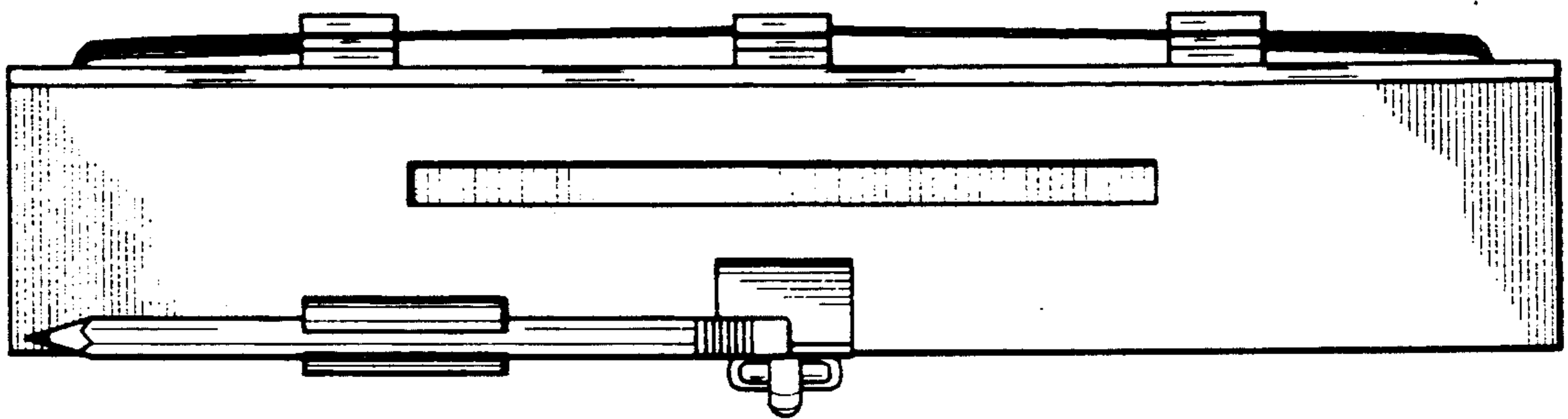


FIG. 6

