



US00D345038S

United States Patent [19]

[11] Patent Number: **Des. 345,038**

DeWeese

[45] Date of Patent: **** Mar. 8, 1994**

[54] THROUGH-THE-WALL RECYCLING BIN

FOREIGN PATENT DOCUMENTS

[76] Inventor: **Ronnie P. DeWeese**, 370 Hickory Acres Dr., Smyrna, Ga. 30082

2608028 6/1988 France 312/242

[**] Term: **14 Years**

Primary Examiner—Kay H. Chin

Attorney, Agent, or Firm—James B. Middleton

[21] Appl. No.: **918,402**

[57] CLAIM

The ornamental design for a through-the-wall recycling bin, as shown and described.

[22] Filed: **Jul. 24, 1992**

DESCRIPTION

[52] U.S. Cl. **D34/1; D34/7**

[58] Field of Search 312/242, 211; 220/908, 220/909; D34/1-11

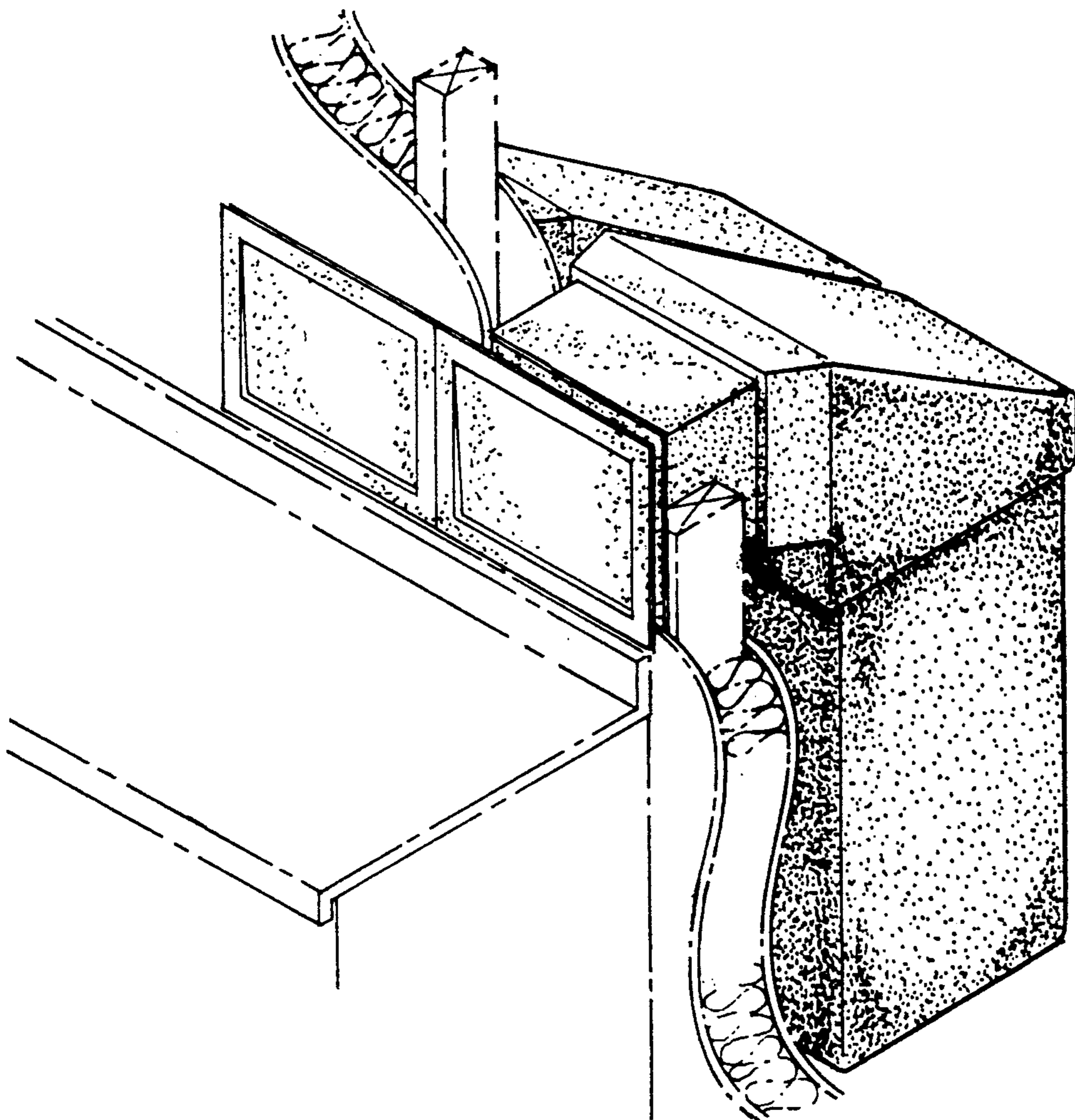
FIG. 1 is a perspective view showing a through-the-wall recycling bin embodying my new design; FIG. 2 is a front elevational view thereof; FIG. 3 is a right side elevational view thereof; FIG. 4 is a bottom plan view thereof; FIG. 5 is a top plan view thereof; FIG. 6 is a left side elevational view thereof; and, FIG. 7 is a rear elevational view thereof.

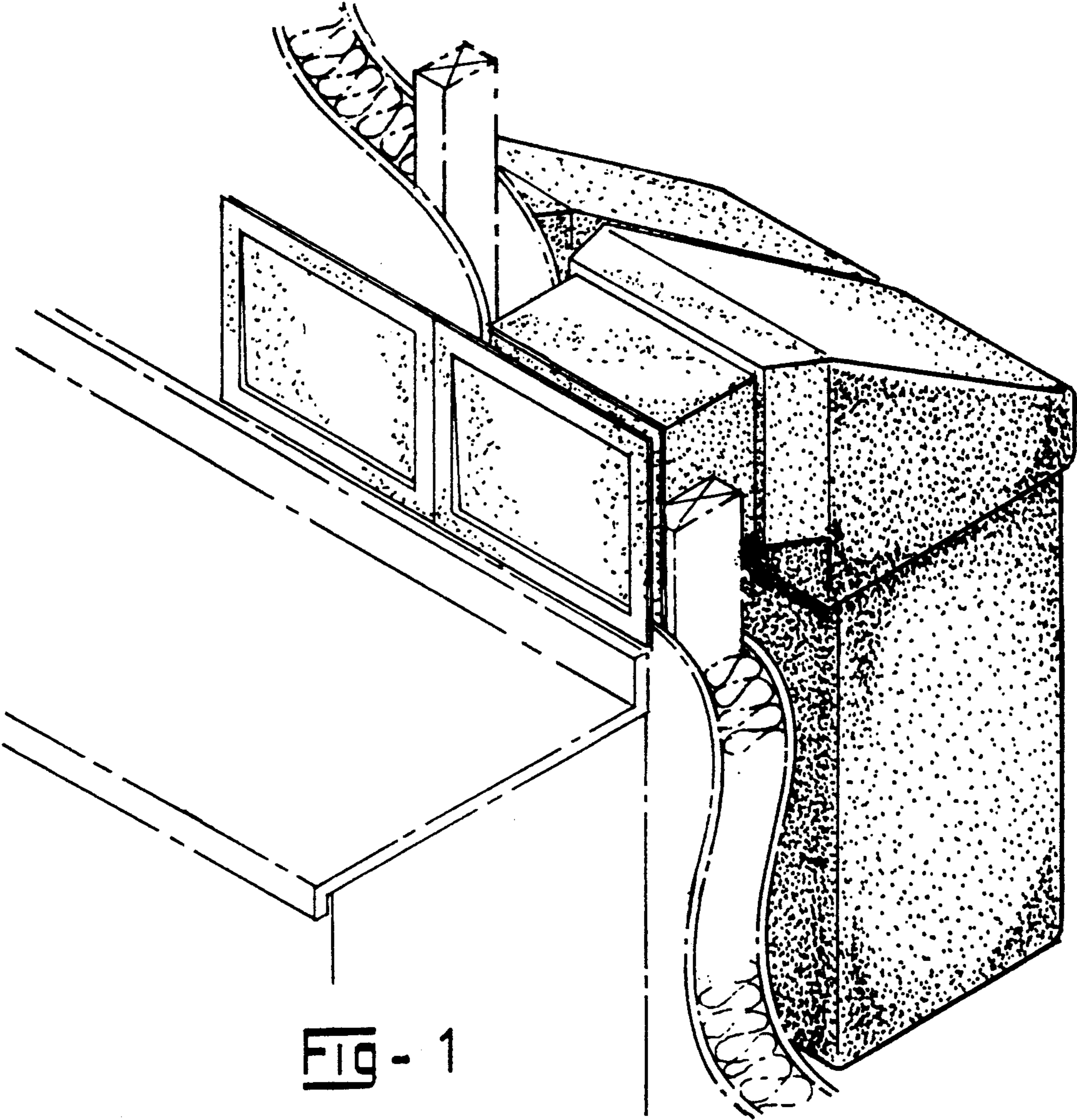
[56] References Cited

U.S. PATENT DOCUMENTS

D. 212,501	10/1968	Lumley	D34/11
D. 218,704	9/1970	Pipolo	D34/1
5,213,402	5/1993	Bernal et al.	312/242
5,215,365	6/1993	Godin	312/211

The broken lines are for illustration only, and form no part of the present invention.





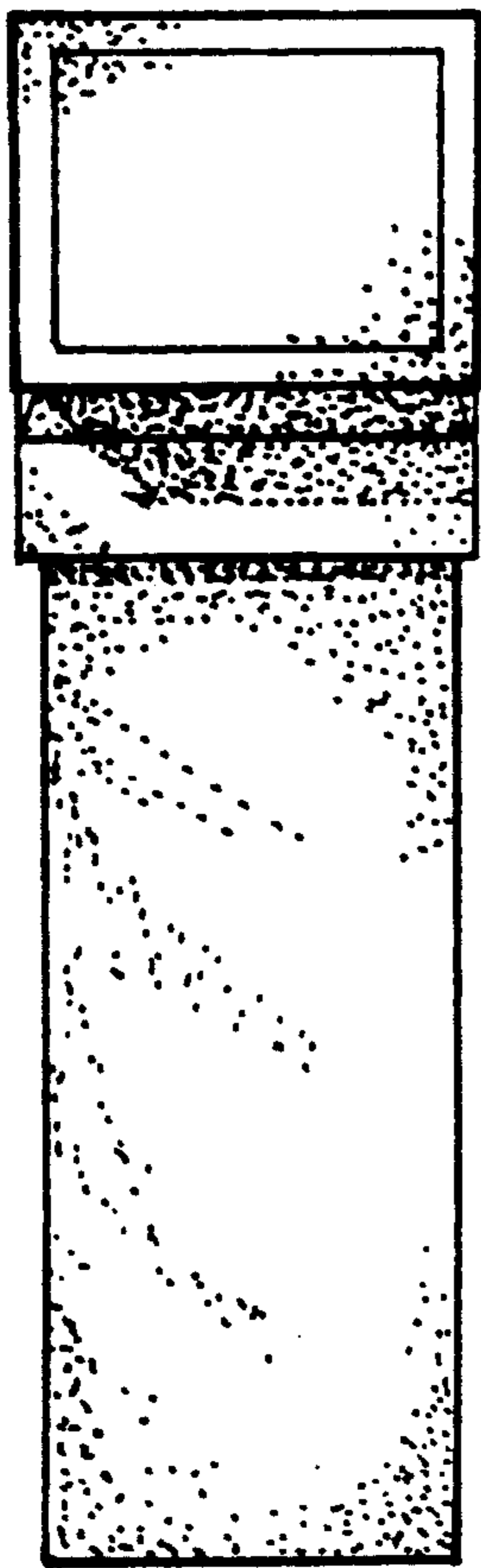


FIG - 2

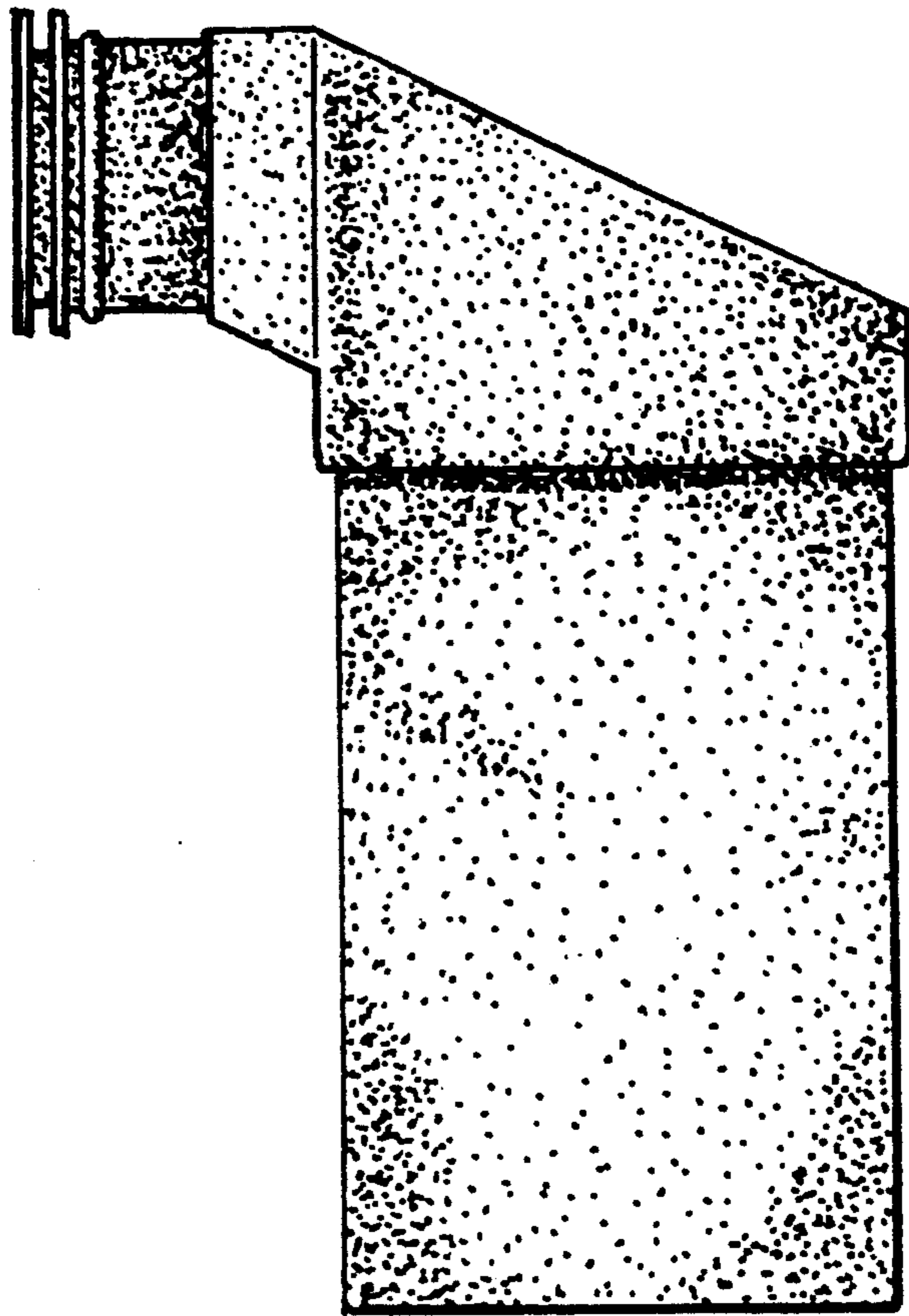


FIG - 3

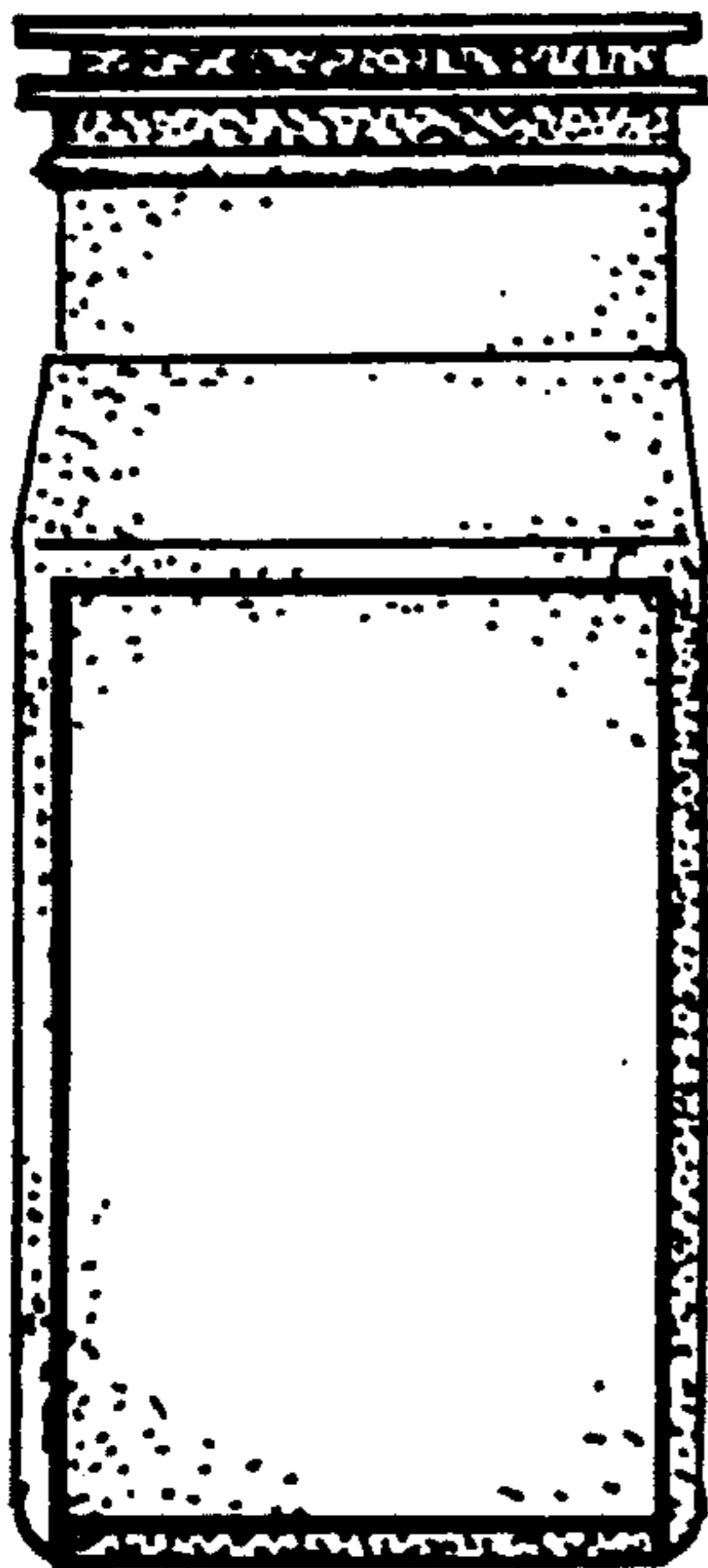


FIG - 4

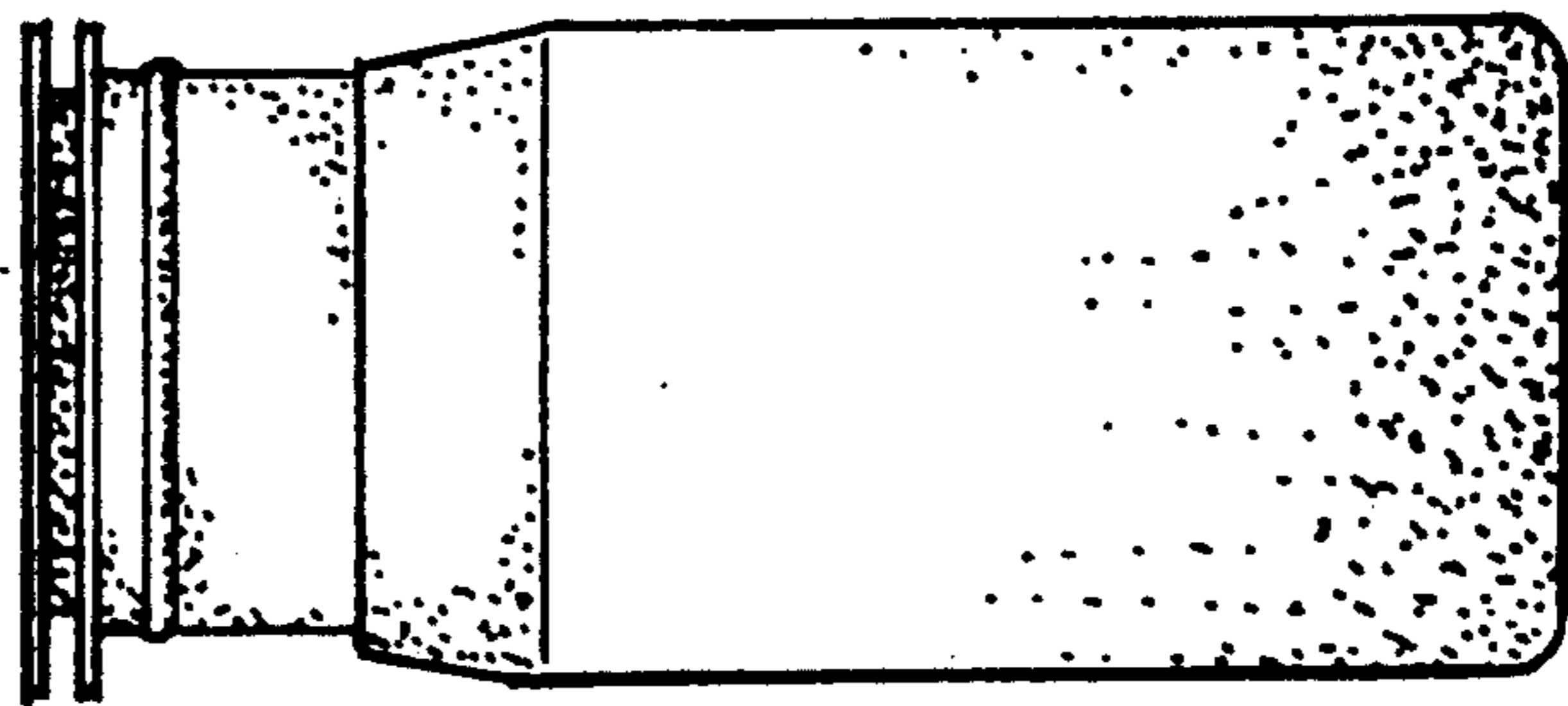


FIG - 5

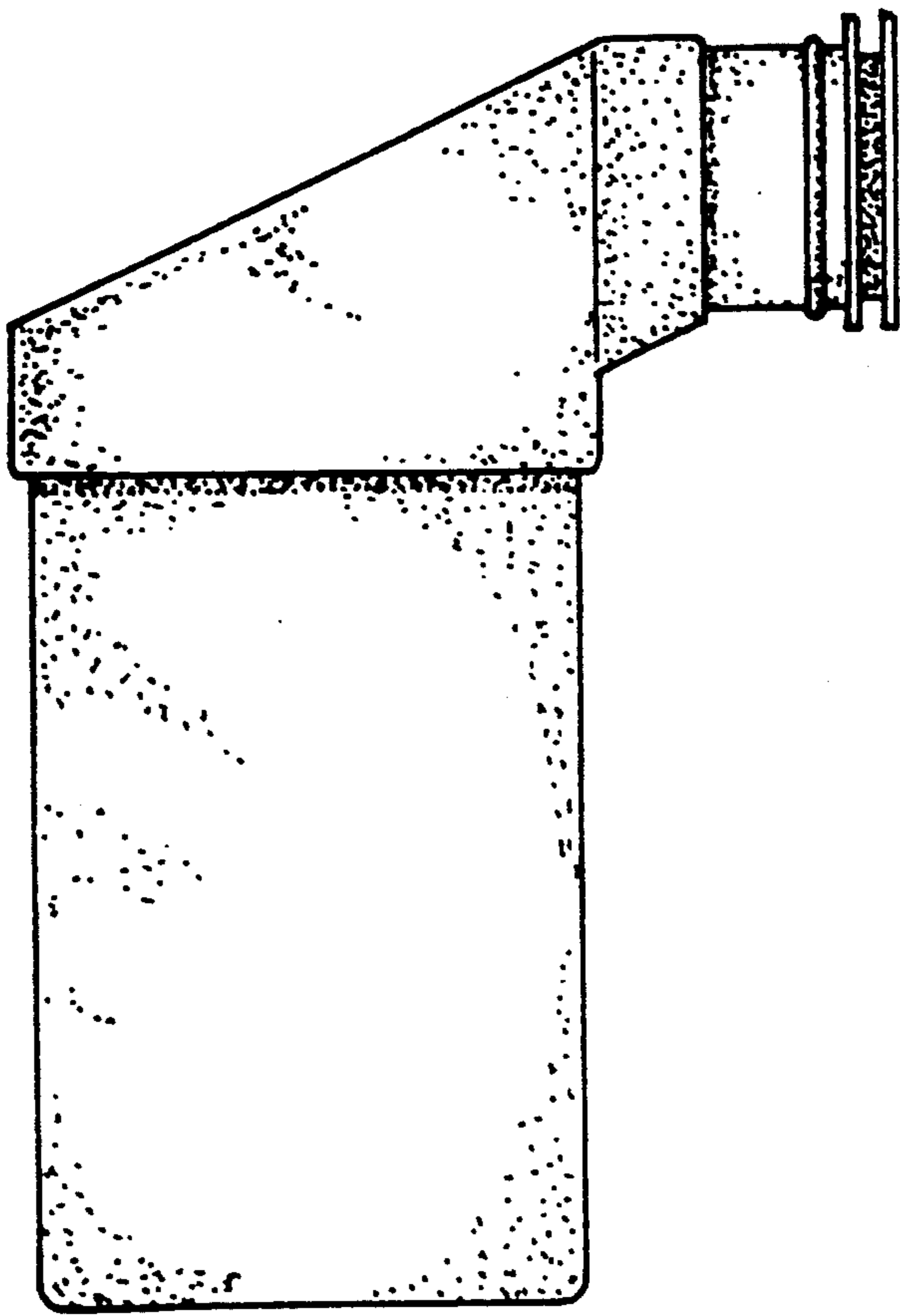


FIG - 6

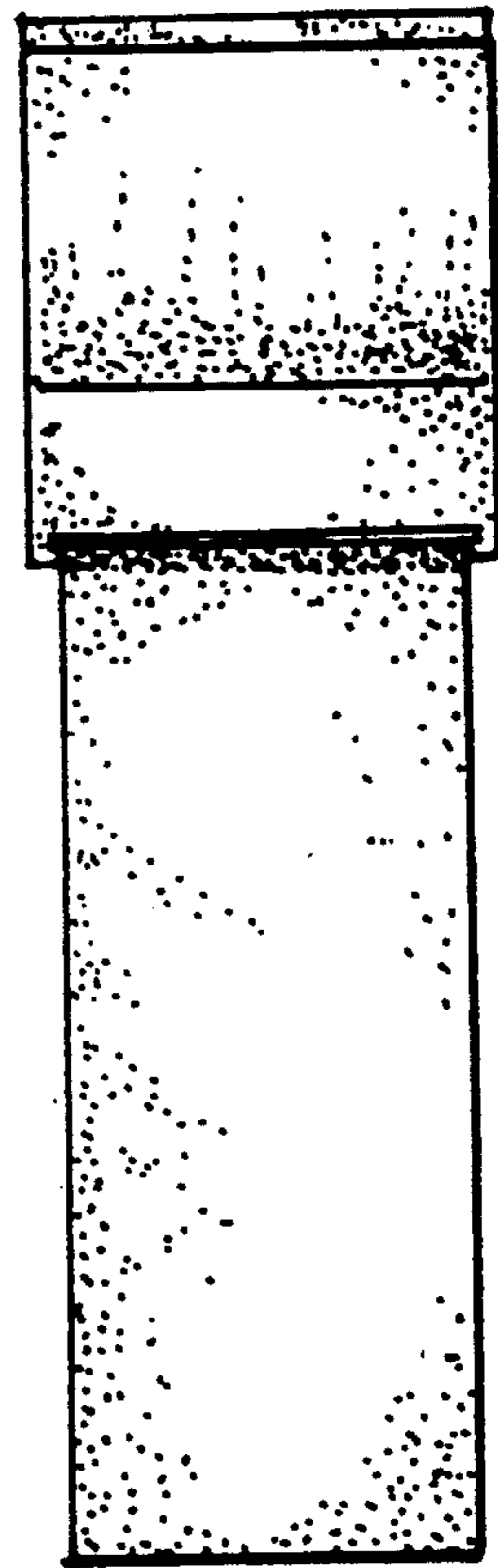


FIG - 7