



US00D345036S

United States Patent [19]

[11] Patent Number: **Des. 345,036**

Townsend, Jr.

[45] Date of Patent: **** Mar. 8, 1994**

[54] SPONGE MOP

2,742,661	4/1956	Carvalho	15/244.1
2,983,944	5/1961	Uselis	15/244.1
3,231,921	2/1966	Cuervo	5/244.1

[76] Inventor: **Charles E. Townsend, Jr.**, 11 Ranch Rd., Orinda, Calif. 94563

Primary Examiner—Wallace R. Burke
Assistant Examiner—Lavone D. Tabor
Attorney, Agent, or Firm—Charles E. Townsend, Jr.

[**] Term: **14 Years**

[21] Appl. No.: **927,579**

[57] **CLAIM**

[22] Filed: **Aug. 10, 1992**

The ornamental design for a sponge mop, as shown and described.

[52] U.S. Cl. **D32/51**

[58] Field of Search **D4/137; 15/208, 209.1, 15/210.1, 211, 244.1-244.4; D32/40, 50-52; D28/63**

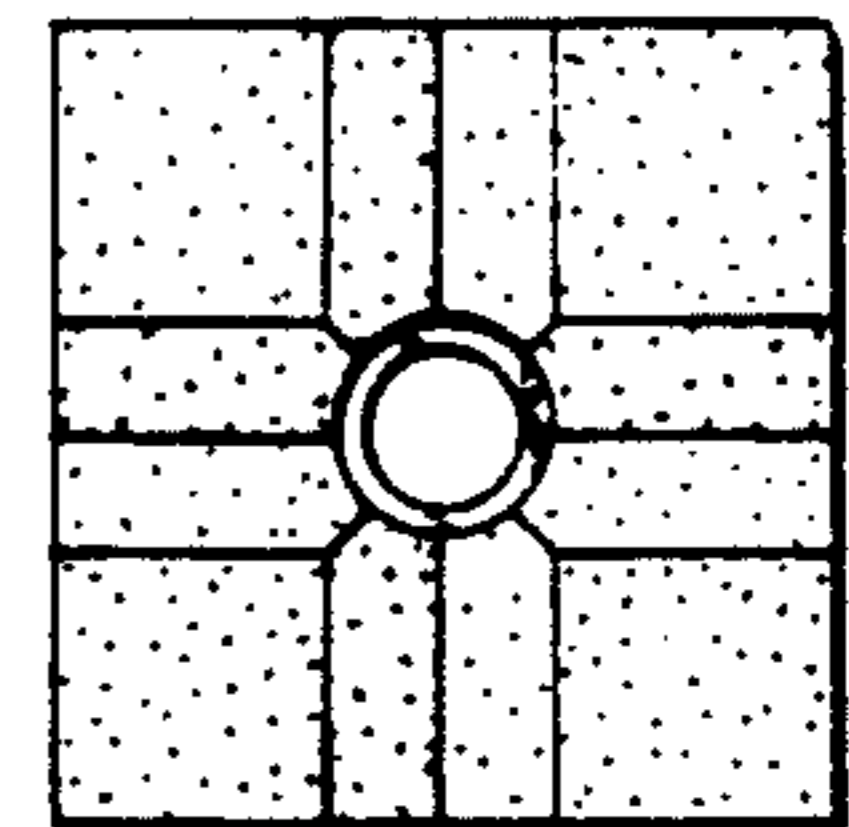
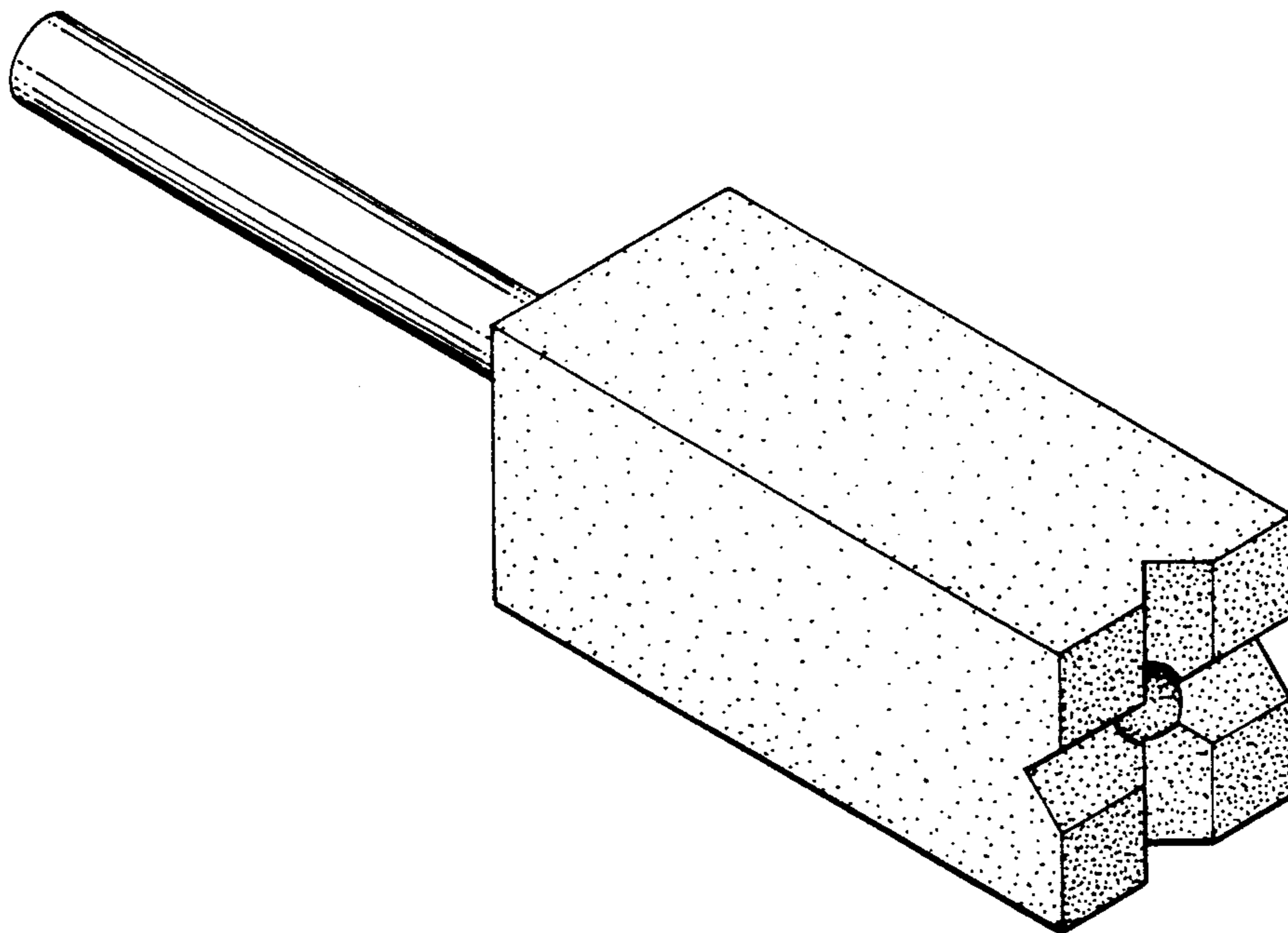
DESCRIPTION

[56] **References Cited**

U.S. PATENT DOCUMENTS

D. 116,072	8/1939	Weil	D32/51
D. 211,397	6/1968	Nika	D32/51
D. 282,698	2/1986	Newton, Jr.	D32/51 X
2,214,972	9/1940	Ries	15/244.1

FIG. 1 is a longitudinal perspective view of a sponge mop embodying my new design shown;
FIG. 2 is a bottom plan view of my new design;
FIG. 3 is a longitudinal side elevational view of my new design;
FIG. 4 is a top plan view of my new design;
The undisclosed sides are the same in appearance as the side shown in FIG. 3.



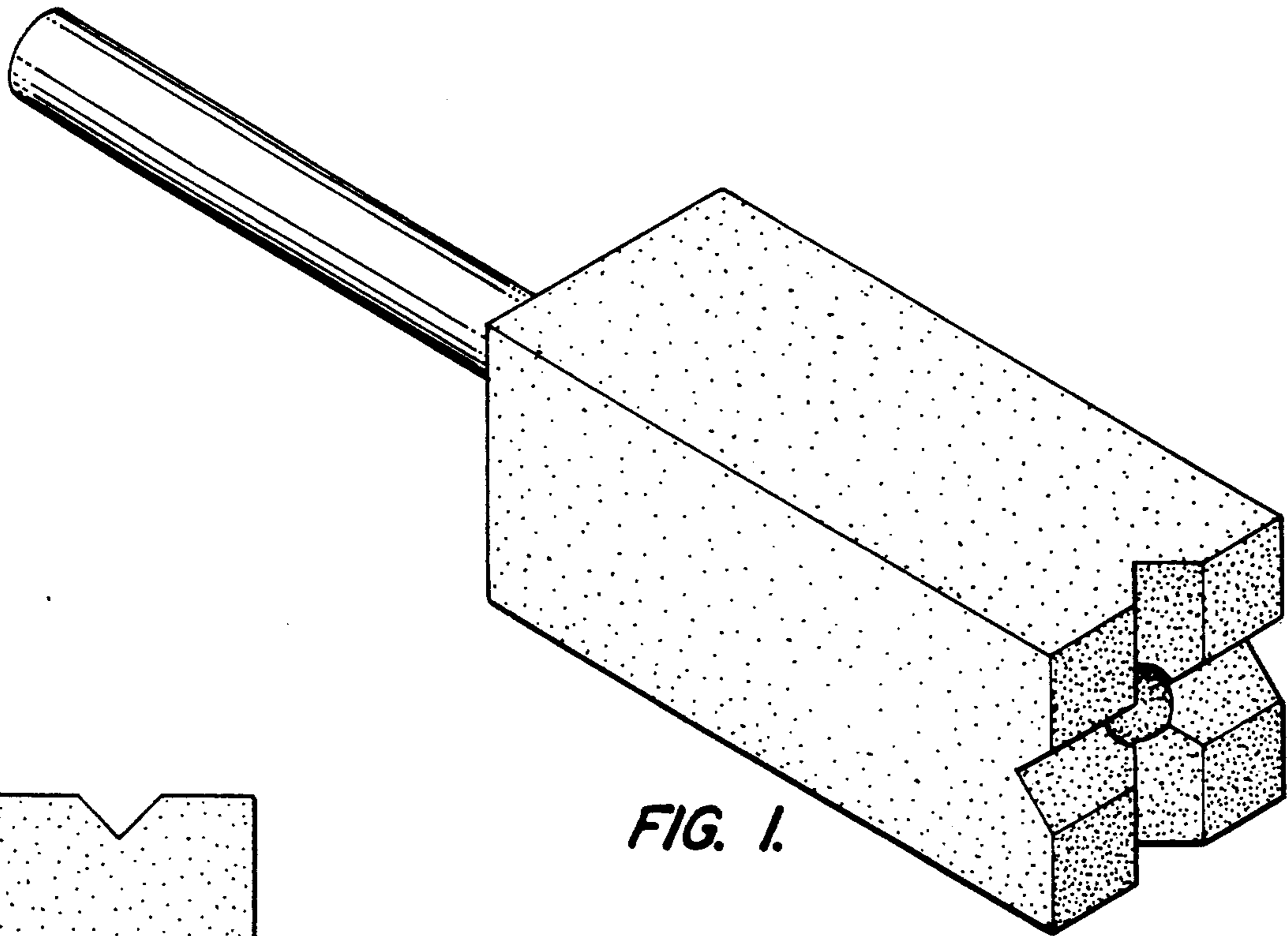


FIG. 1.

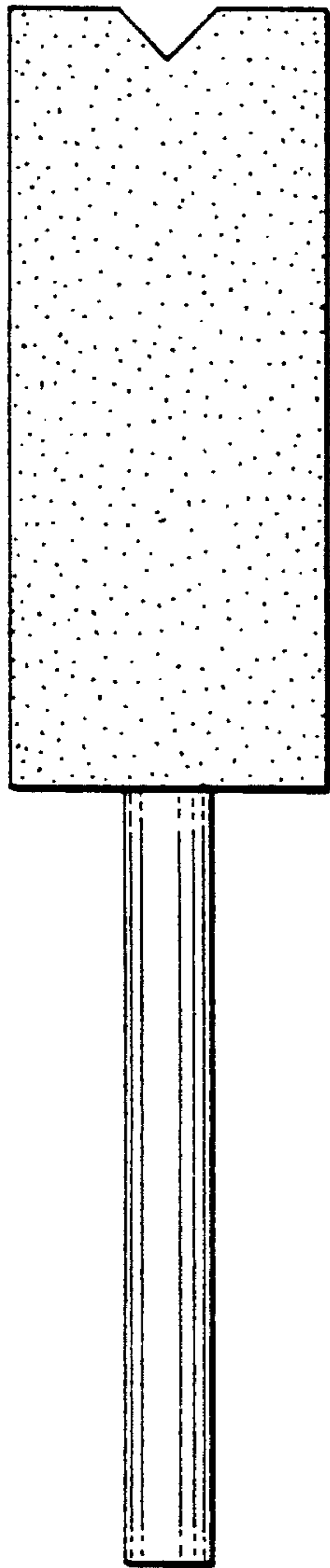


FIG. 3.

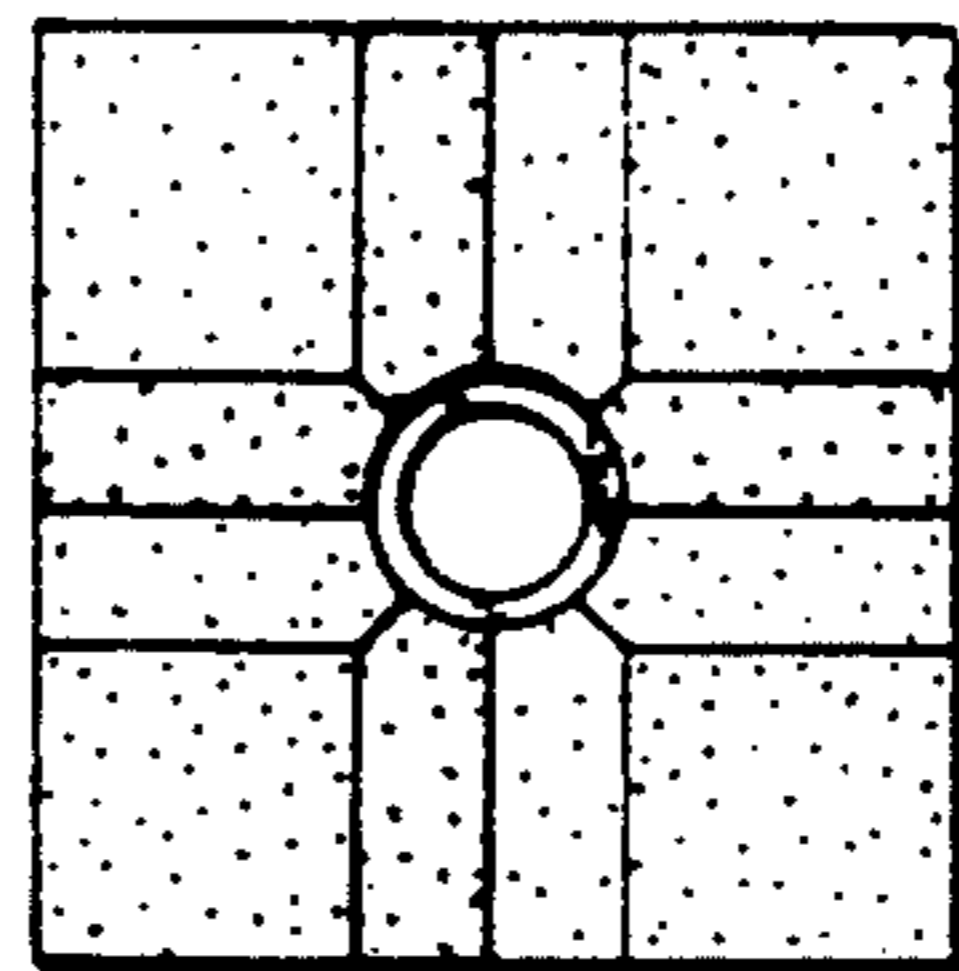


FIG. 2.

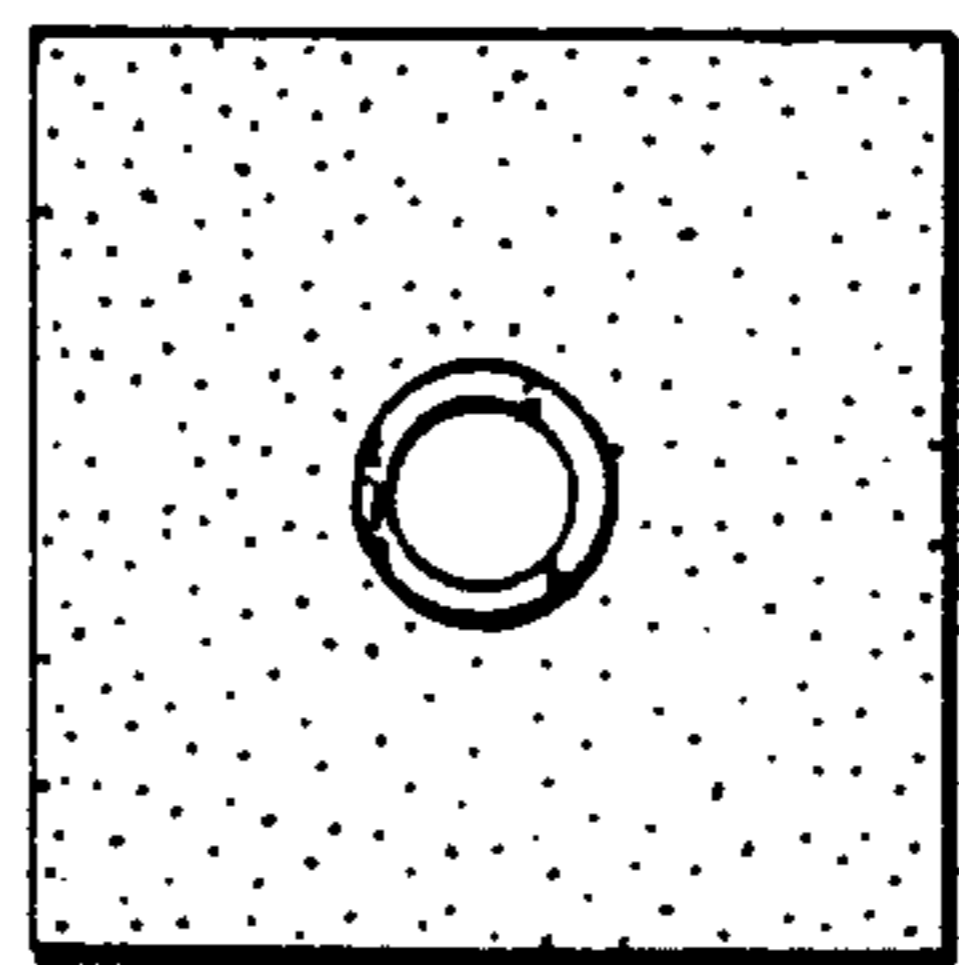


FIG. 4.