



US00D345031S

United States Patent [19]

[11] Patent Number: **Des. 345,031**

Ostigaard

[45] Date of Patent: **** Mar. 8, 1994**

[54] NAIL CLIPPER

4,776,090 10/1988 Grassi 132/73 X

[76] Inventor: **Chieko Ostigaard**, 4303 Oakdale Ave., Edina, Minn. 55424

Primary Examiner—Bernard Ansher

Assistant Examiner—C. Tuttle

Attorney, Agent, or Firm—Westman, Champlin & Kelly

[**] Term: **14 Years**

[57] **CLAIM**

[21] Appl. No.: **847,809**

The ornamental design for a nail clipper, as shown and described.

[22] Filed: **Mar. 5, 1992**

[52] U.S. Cl. **D28/60**

[58] Field of Search 30/26-28;
132/73, 73.5, 75.3, 75.4, 75.6, 76.2; D28/60, 56,
57

DESCRIPTION

FIG. 1 is a perspective view of a nail clipper embodying my new design;

FIG. 2 is a perspective view shown with the operating lever in the use position;

FIG. 3 is a top plan view of the nail clipper as shown in FIG. 1;

FIG. 4 is a bottom plan view thereof;

FIG. 5 is a side elevational view thereof;

FIG. 6 is a front elevational view thereof;

FIG. 7 is a rear elevational view thereof; and,

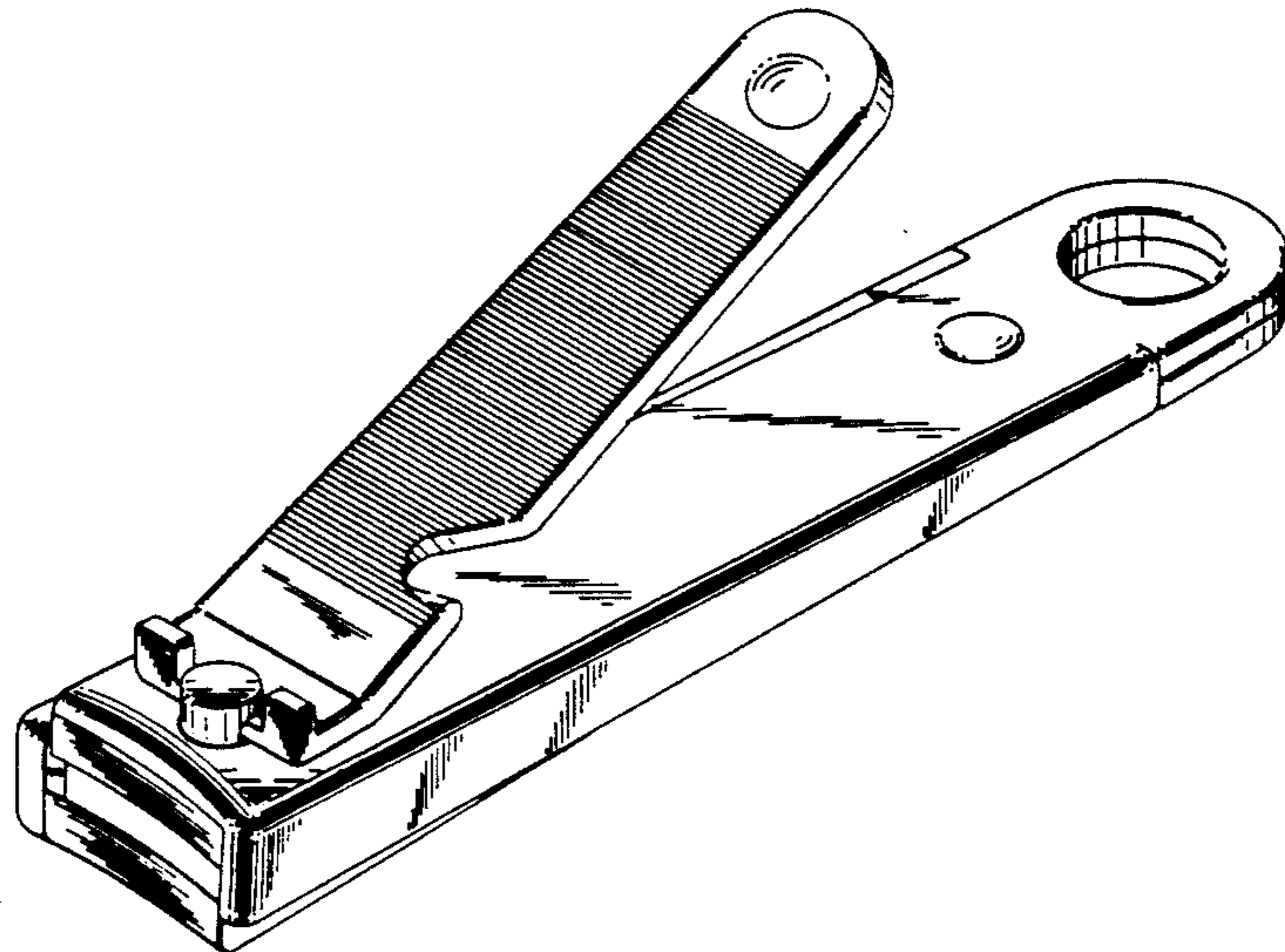
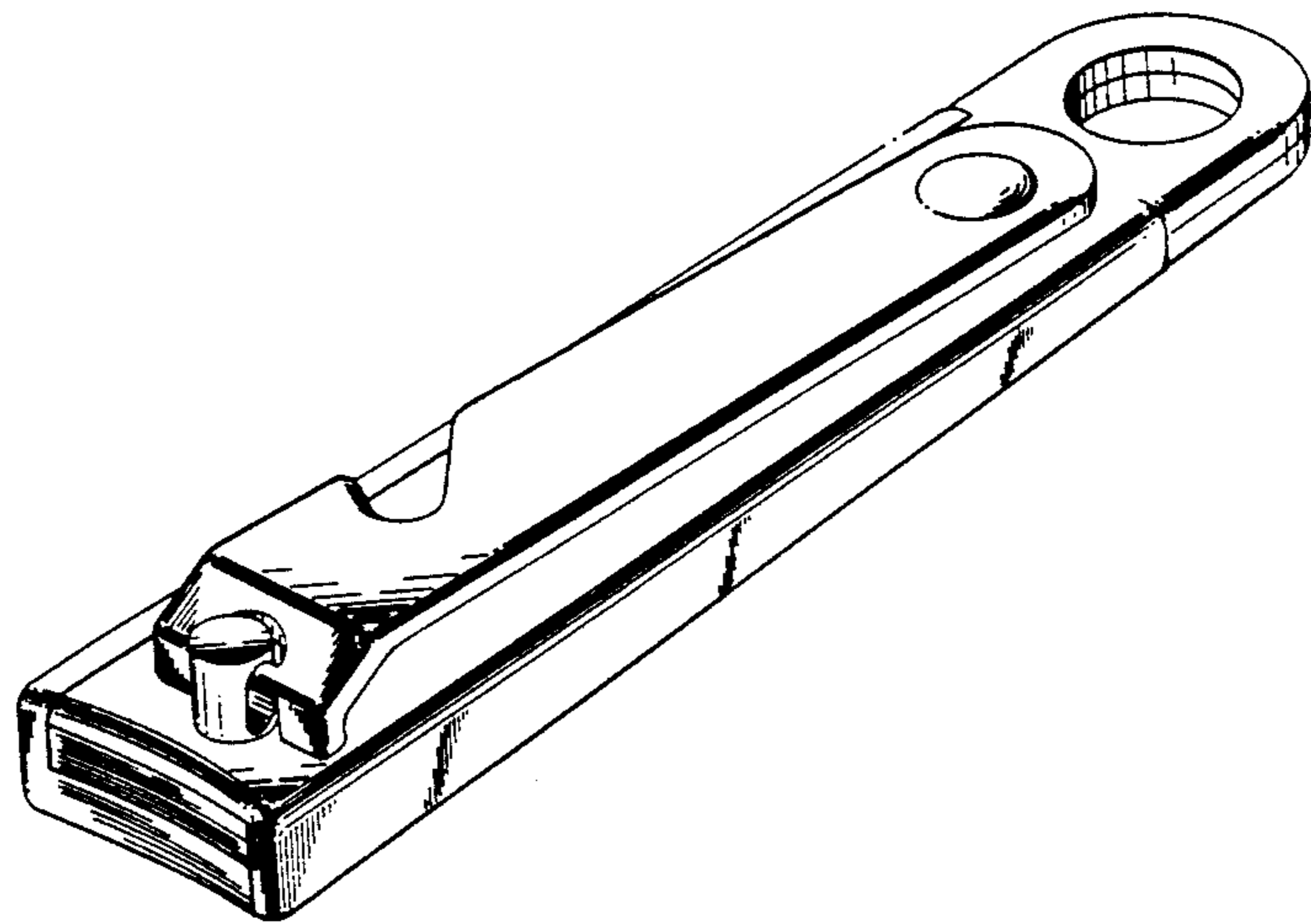
FIG. 8 is an elevational view of the opposite side of FIG. 5.

[56]

References Cited

U.S. PATENT DOCUMENTS

D. 198,660	7/1964	Britton	D28/60
D. 210,186	2/1968	Bliss	D28/60
D. 305,267	12/1989	Chung	D28/60
3,093,147	6/1963	Bassett	132/75.5
3,986,257	10/1976	Kivra	132/75.4 X
4,614,031	9/1986	Chen	132/75.5 X



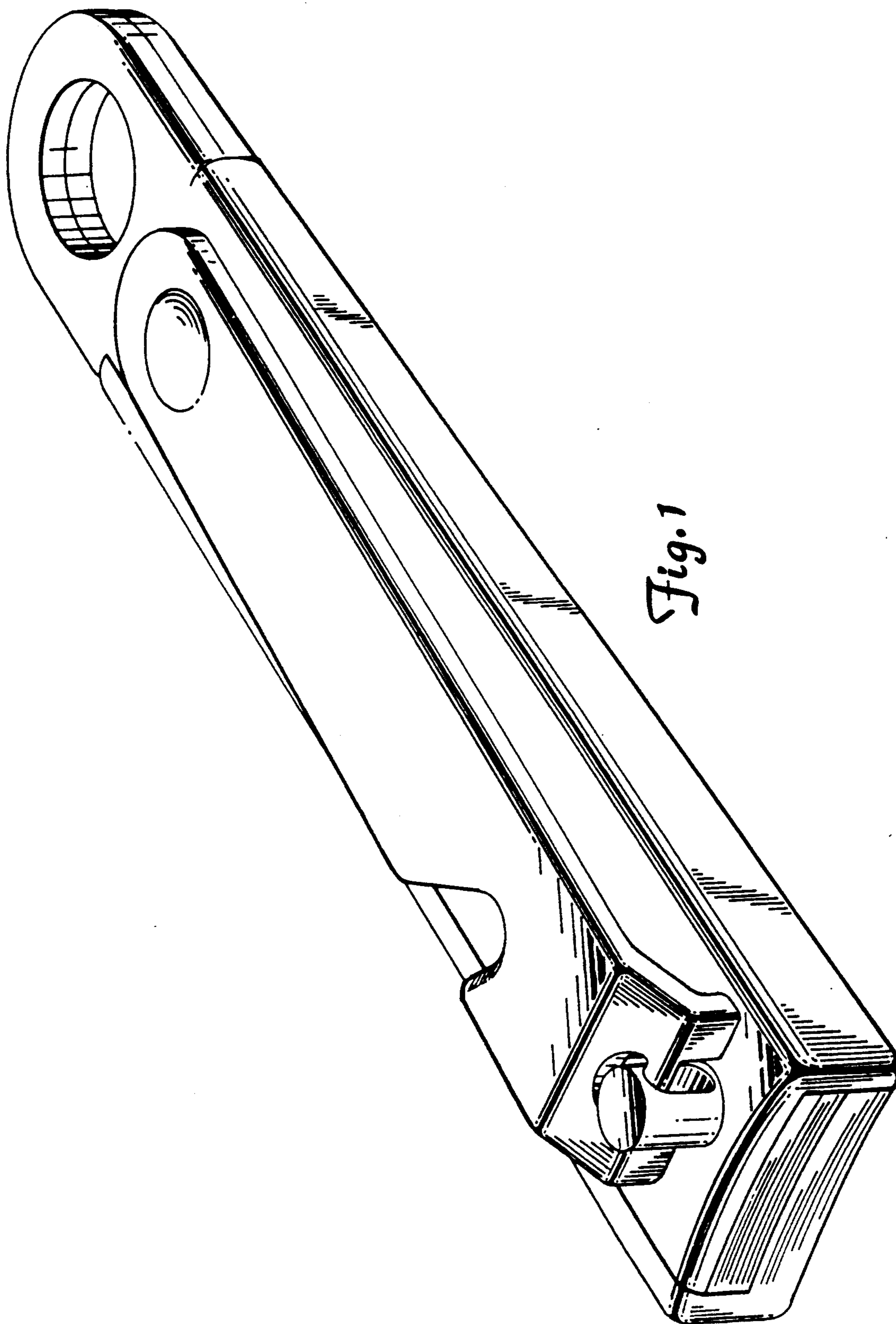


Fig. 1

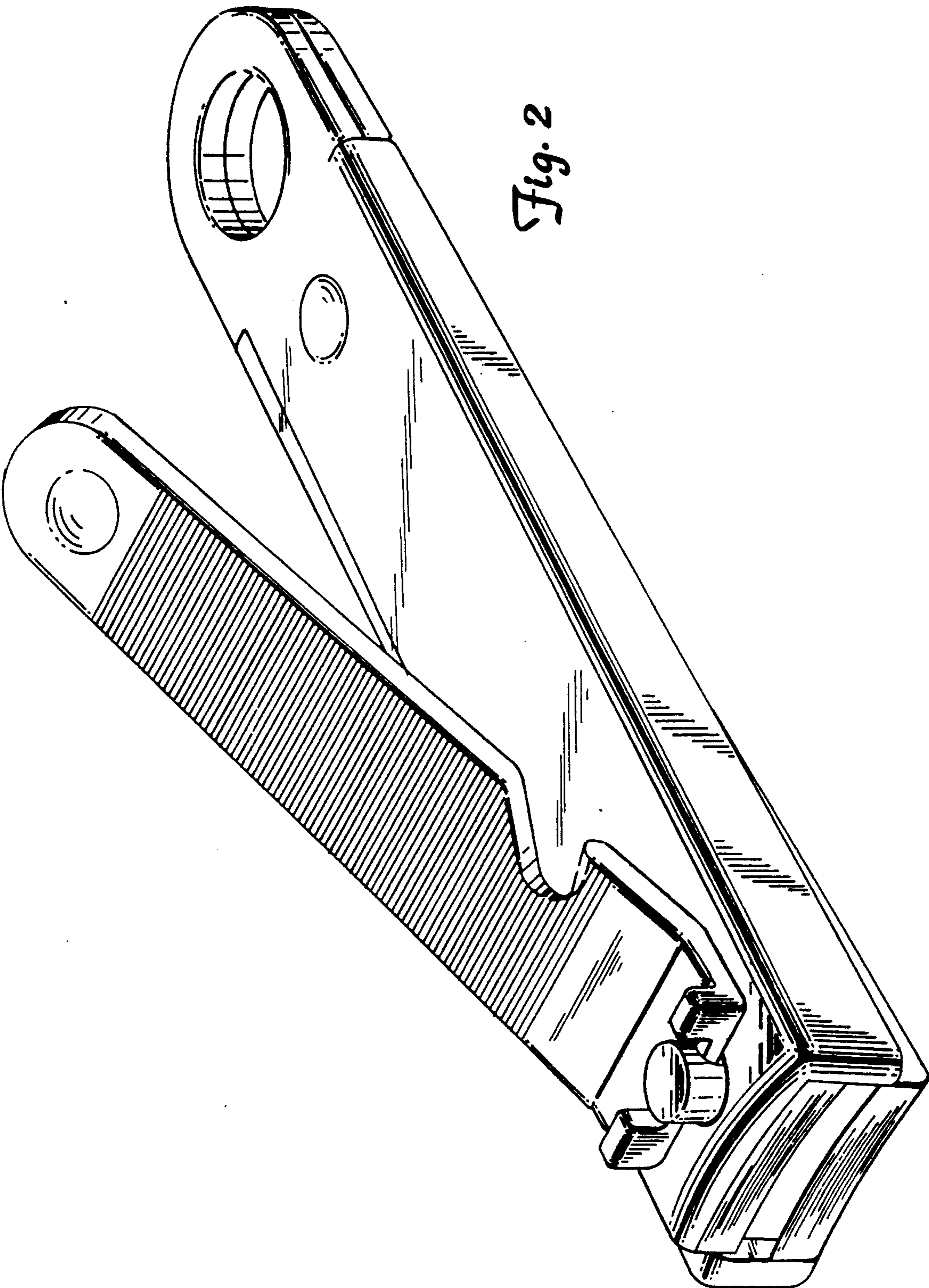


Fig. 3

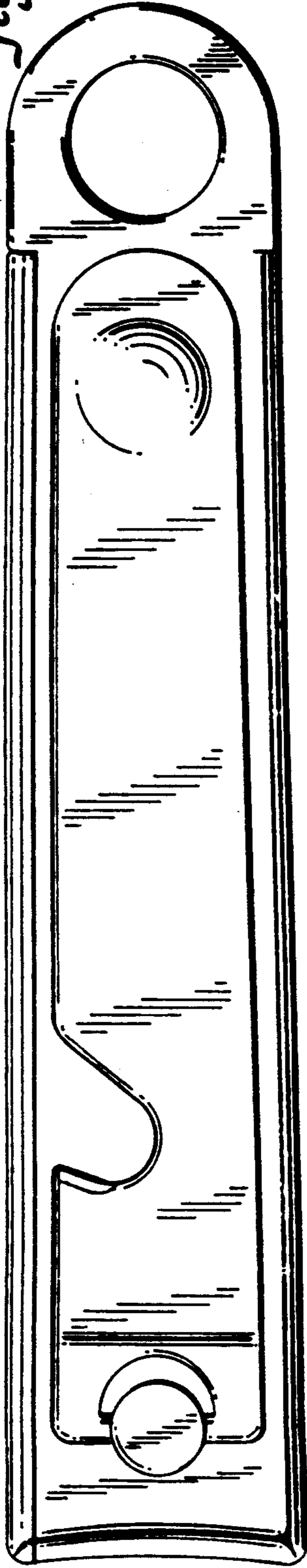


Fig. 4

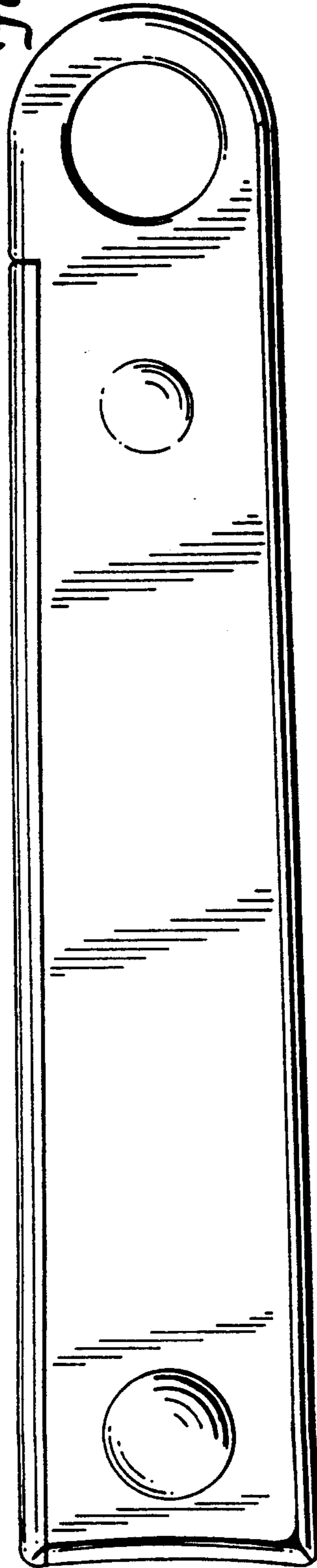
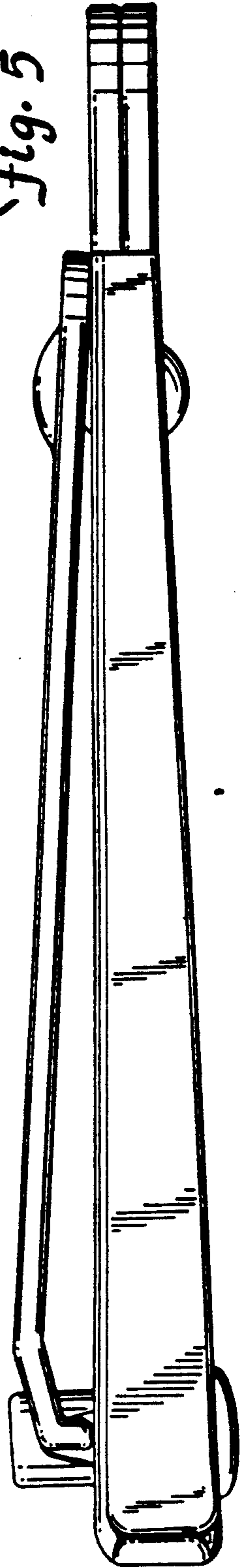


Fig. 5



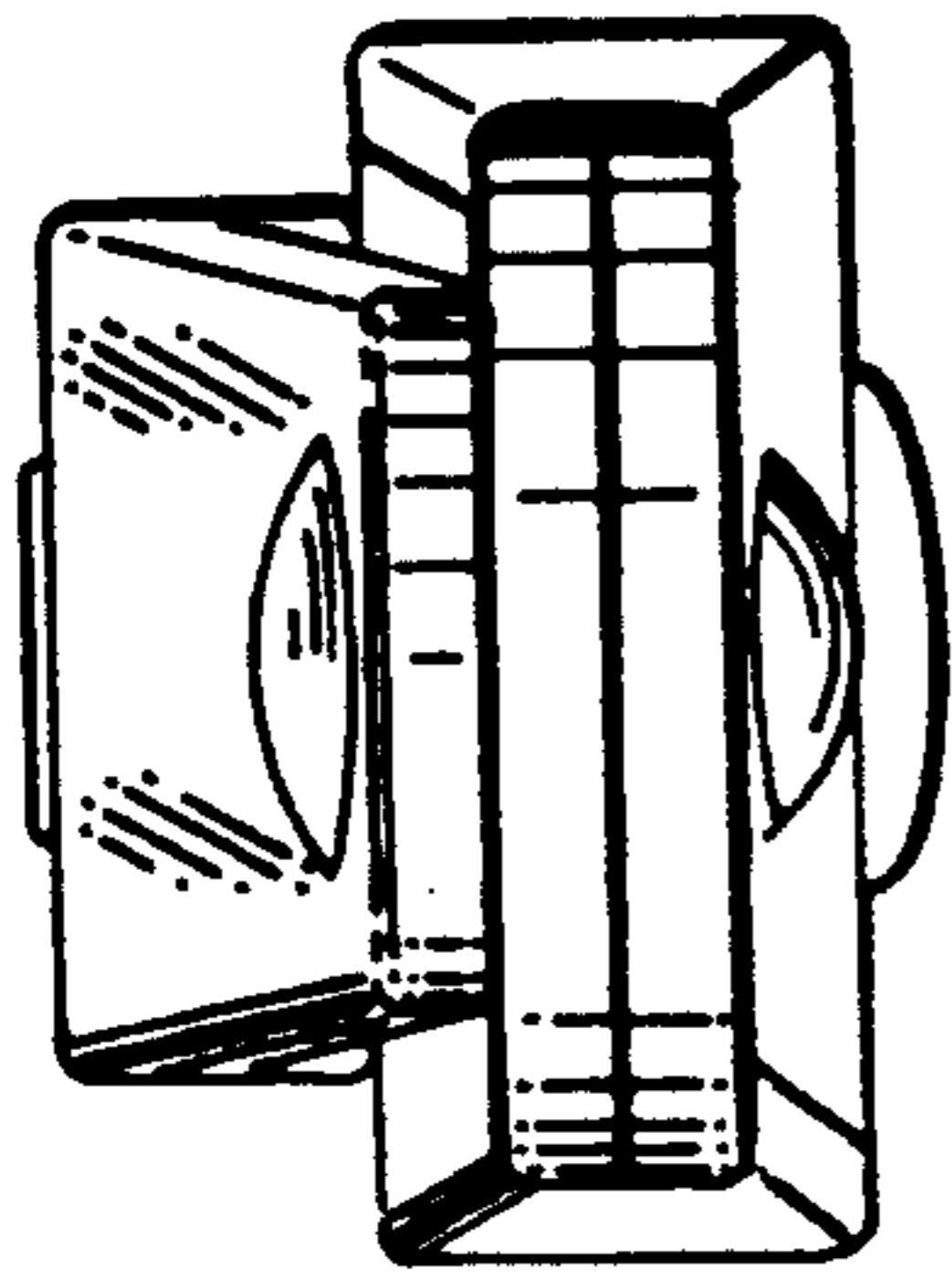


Fig. 7

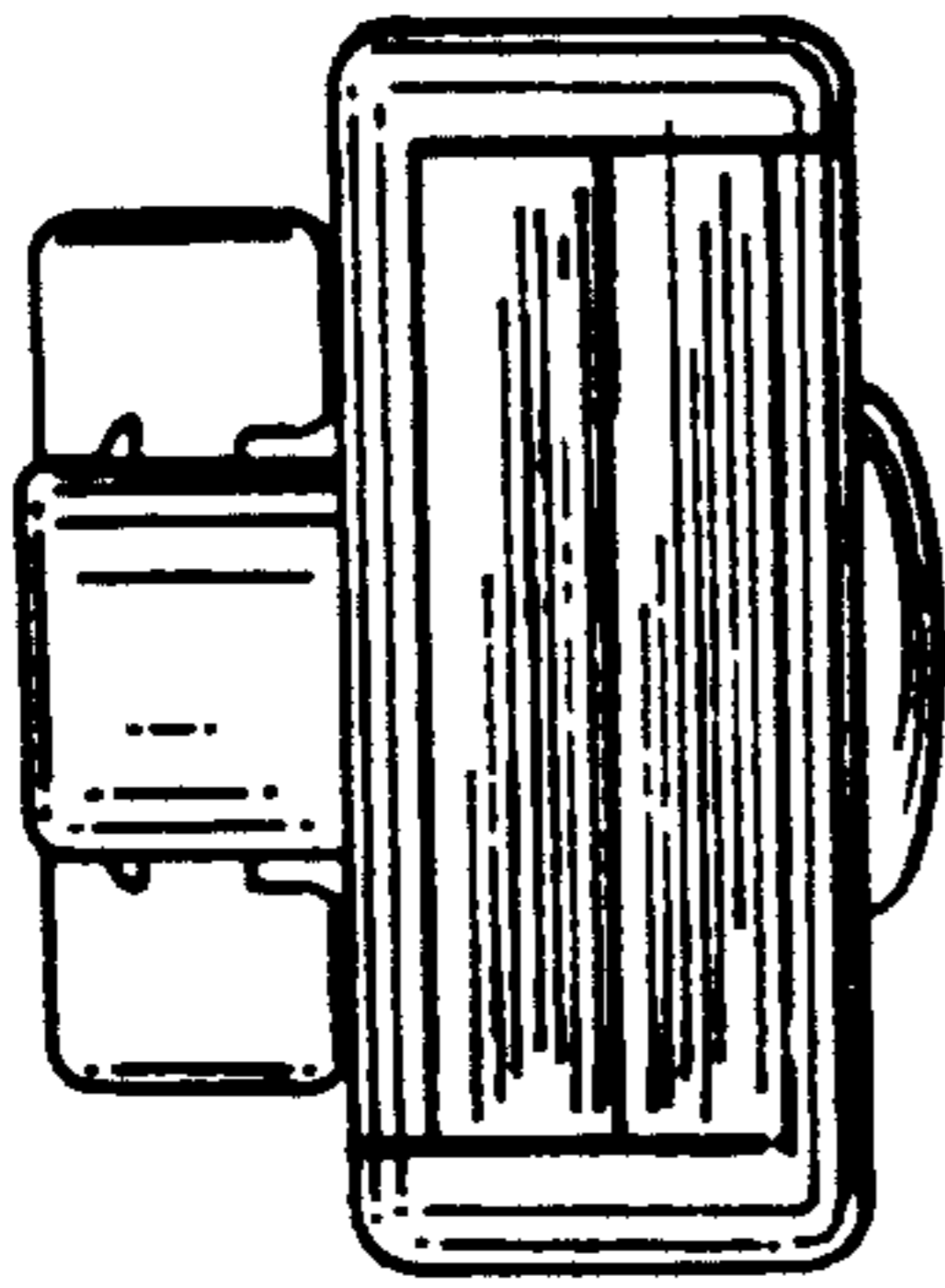


Fig. 6

Fig 8

